

Distributed by:

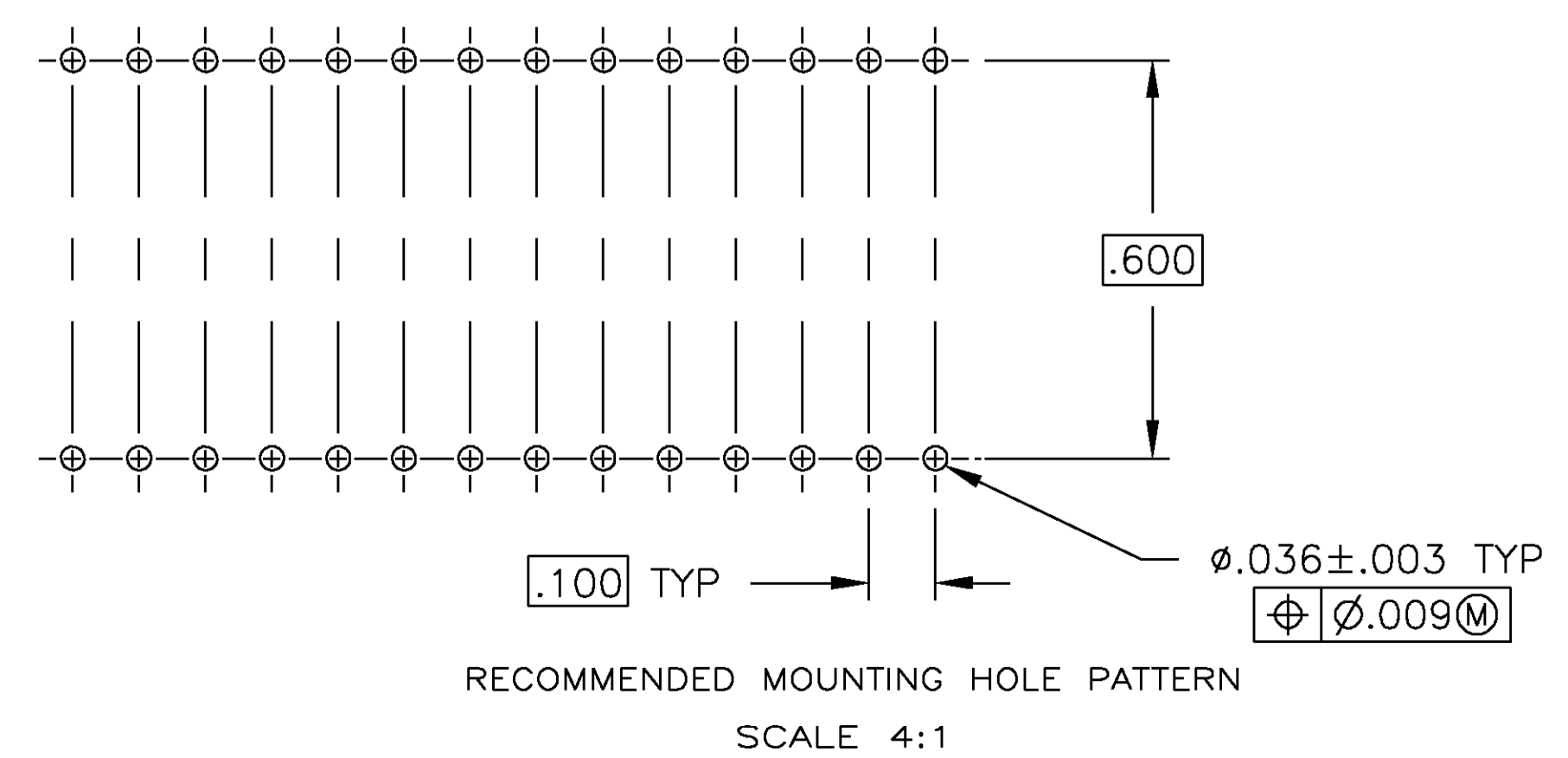
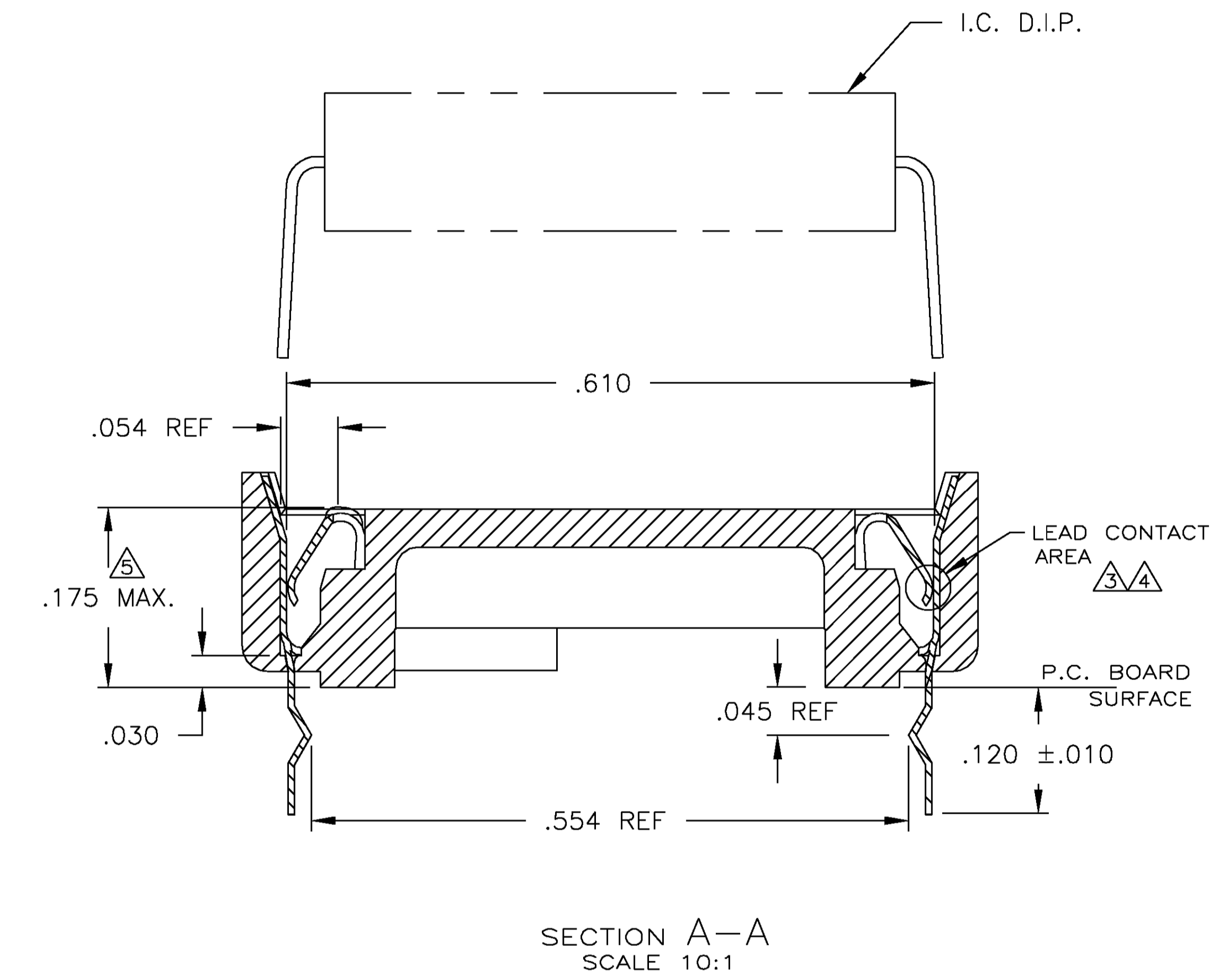
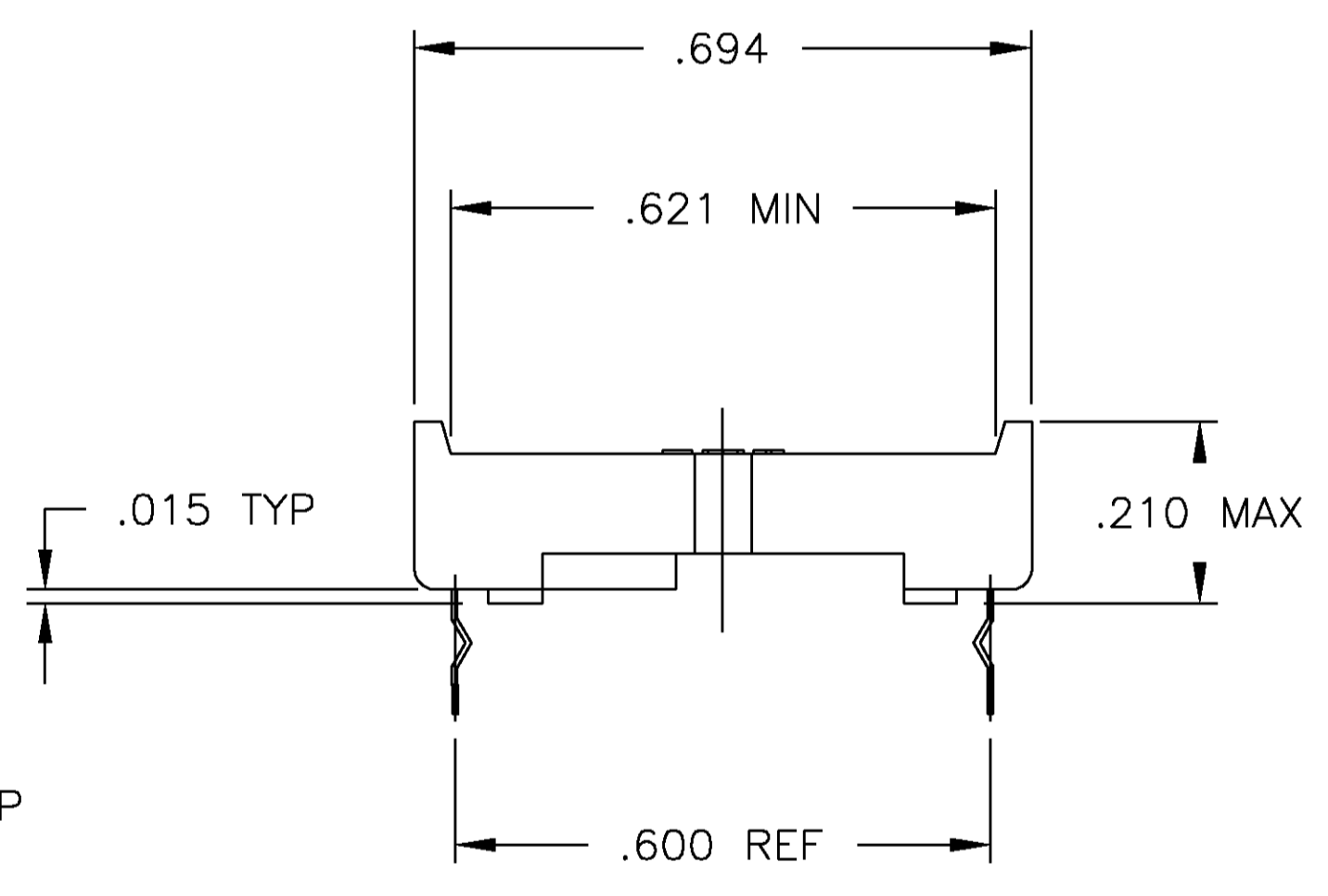
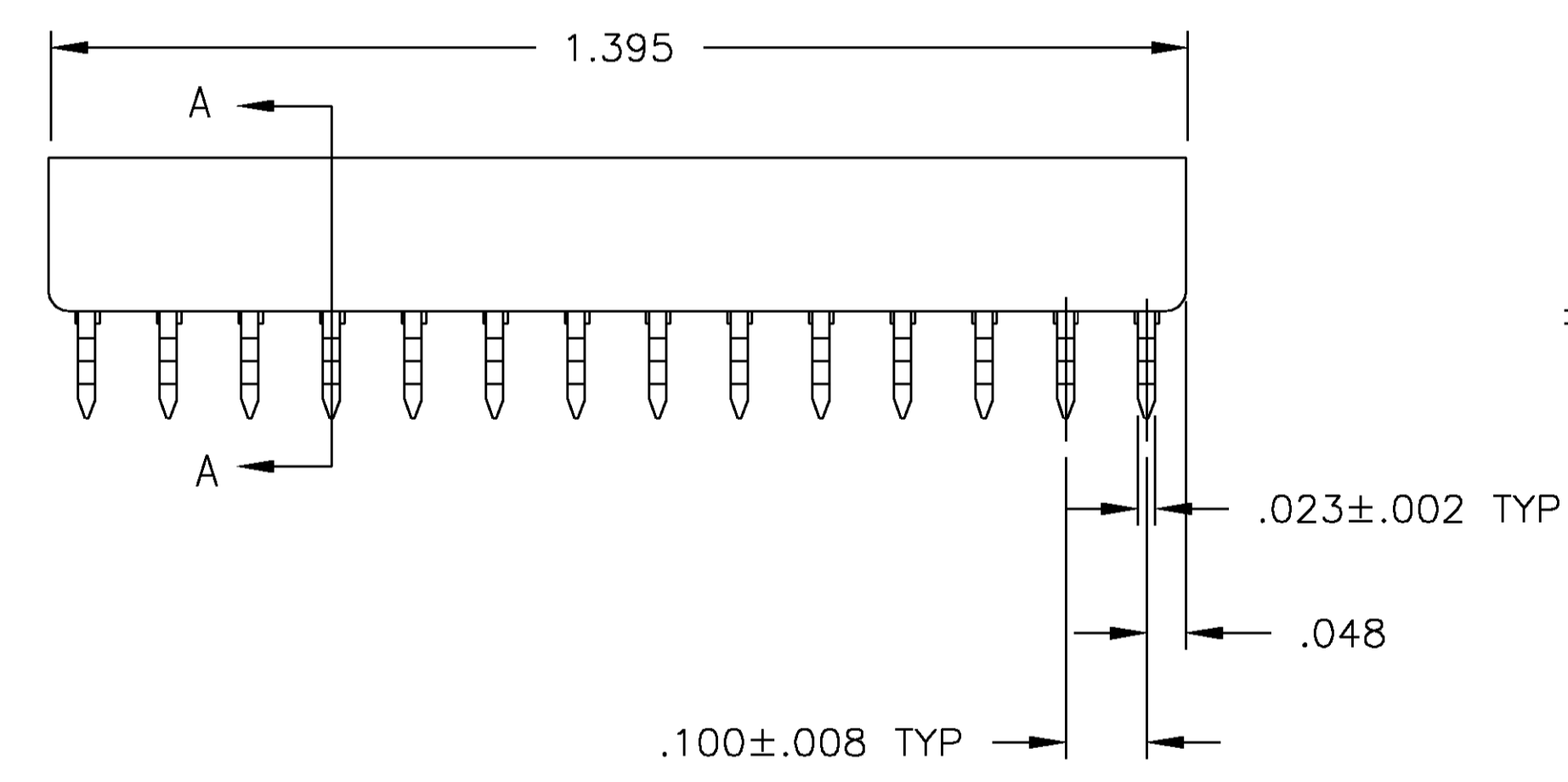
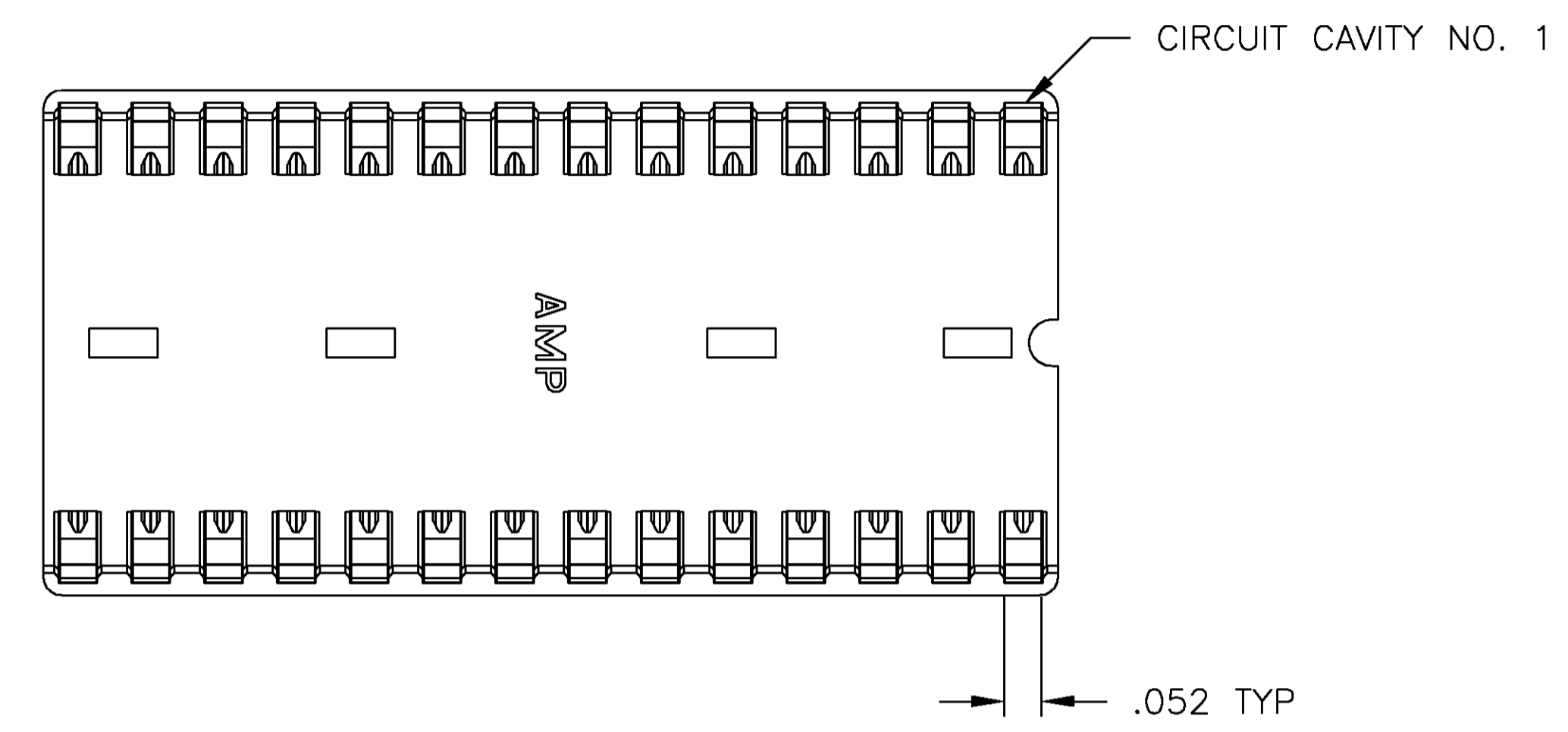
**JAMECO**<sup>®</sup>  
ELECTRONICS

**www.Jameco.com ♦ 1-800-831-4242**

The content and copyrights of the attached  
material are the property of its owner.

Jameco Part Number 837863

- RECEPTACLE ACCEPTS A .008-.014 THICK I.C. LEAD.
  - TUBE LOADED.
- ⚠ TWO .000030 MIN THK. GOLD STRIPES IN CONTACT AREA WITH TIN-LEAD (93/7) ON CONTACT LEGS, BALANCE OF CONTACT NICKEL PLATED.
  - ⚠ TWO .000015 MIN THK. GOLD STRIPES IN CONTACT AREA WITH TIN-LEAD (93/7) ON CONTACT LEGS, BALANCE OF CONTACT NICKEL PLATED.
  - ⚠ MAXIMUM DIMENSION FOR I.C. SEATING PLANE.



OBSOLETE

⚠	PHOS.BRZ. .006 THK	GLASS-FILLED THERMOPLASTIC, 94V-O, BLACK	2-641267-4
TINNED	PHOS.BRZ. .006 THK	GLASS-FILLED THERMOPLASTIC, 94V-O, BLACK	2-641267-3
⚠	BE.CU. .006 THK	GLASS-FILLED THERMOPLASTIC, 94V-O, BLACK	2-641267-2
TINNED	BE.CU. .006 THK	GLASS-FILLED THERMOPLASTIC, 94V-O, BLACK	2-641267-1
CONTACT FINISH	CONTACT MAT'L	HOUSING MATERIAL	PART NO.
THIS DRAWING IS A CONTROLLED DOCUMENT.			
DIMENSIONS: INCHES		TOLERANCES UNLESS OTHERWISE SPECIFIED:	
0 PLC ± -		APVD H WYNKOOP	
1 PLC ± -		17NOV00	
2 PLC ± -		NAME	
3 PLC ± .005		H WYNKOOP	
4 PLC ± -		PRODUCT SPEC	
ANGLES ± α-30°		108-1066	
MATERIAL SEE TABLE		APPLICATION SPEC	
		114-1049	
		FINISH SEE TABLE	
		SIZE CAGE CODE DRAWING NO	
		A1 00779 641267	
		RESTRICTED TO	
		CUSTOMER DRAWING	
		SCALE 5:1 SHEET 1 OF 1 REV R	