

Distributed by:

JAMECO[®]
ELECTRONICS

www.Jameco.com ♦ 1-800-831-4242

The content and copyrights of the attached
material are the property of its owner.

Jameco Part Number 527646

4

3

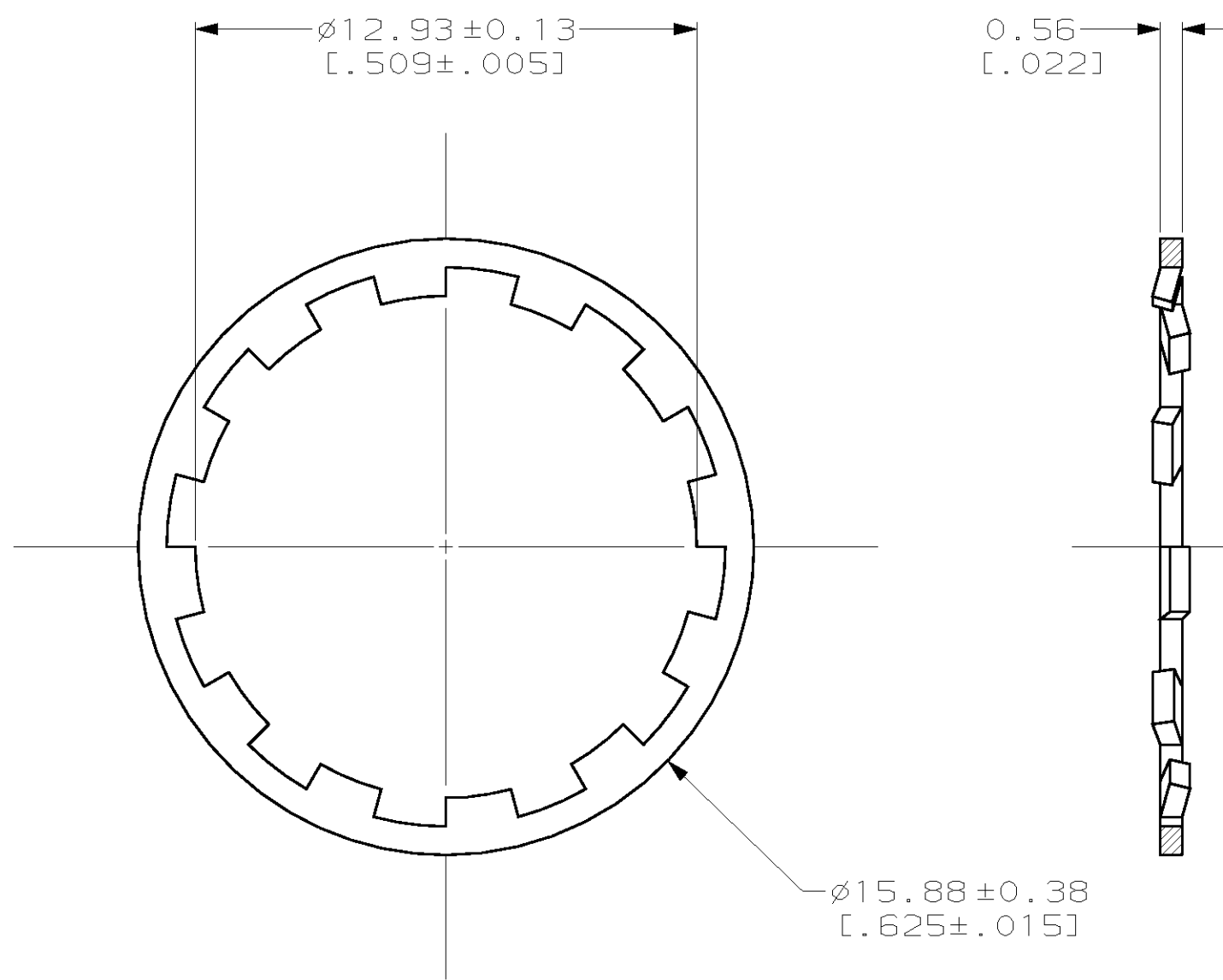
2

1

THIS DRAWING IS UNPUBLISHED. RELEASED FOR PUBLICATION, 19 .

© COPYRIGHT 19 BY AMP INCORPORATED. ALL RIGHTS RESERVED.

LOC	DIST	REVISIONS			
P	LTR	DESCRIPTION	DATE	DWN	APVD
	F	ADDED: -15 PER EC 0514-0035-01	07NOV01	DD	JL



- ① PHOSPHOR BRONZE PER QQ-B-750.
- ② SILVER PLATE PER QQ-S-365.
- ③ NICKEL PLATE PER QQ-N-290.
- ④ GOLD PLATE PER MIL-G-45204, 0.51µm [0.000020] MINIMUM THICK.

④	1-329632-5
③	1-329632-2
②	329632
FINISH	PART NUMBER

THIS DRAWING IS A CONTROLLED DOCUMENT.		DWN M. O'BRINE 29MAR01	TYCO Electronics Harrisburg, PA 17105-3608		
DIMENSIONS: mm [INCHES]		CHK B. MOYER 30MAR01			
TOLERANCES UNLESS OTHERWISE SPECIFIED:		APVD B. MOYER 30MAR01	NAME LOCKWASHER		
0 PLC ±- 1 PLC ±- 2 PLC ±- 3 PLC ±0.20 [0.008] 4 PLC ±- ANGLES ±-		PRODUCT SPEC -	DRAWING NO C-329632		
MATERIAL ①		APPLICATION SPEC -	SIZE A3	CAGE CODE 00779	RESTRICTED TO -
FINISH SEE TABLE		WEIGHT [0.009 oz]	SCALE 6:1	SHEET 1 OF 1	REV F
CUSTOMER DRAWING					