

Distributed by:

JAMECO[®]
ELECTRONICS

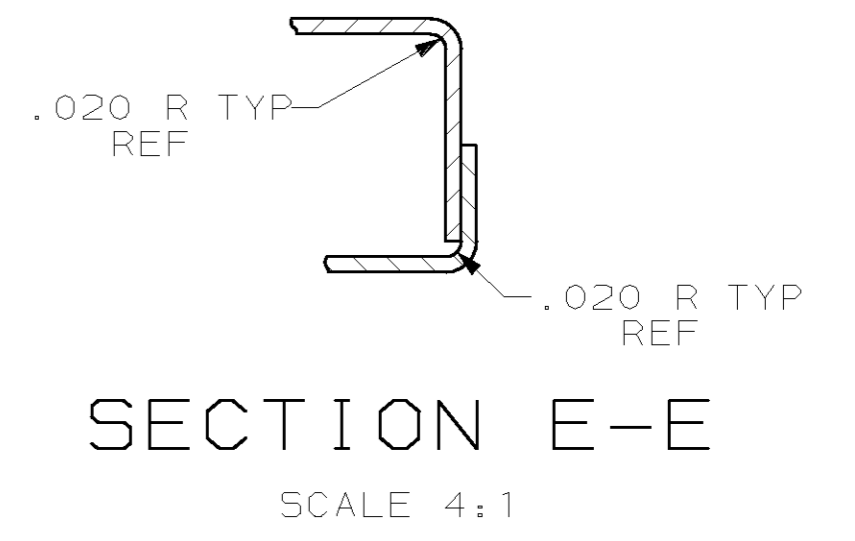
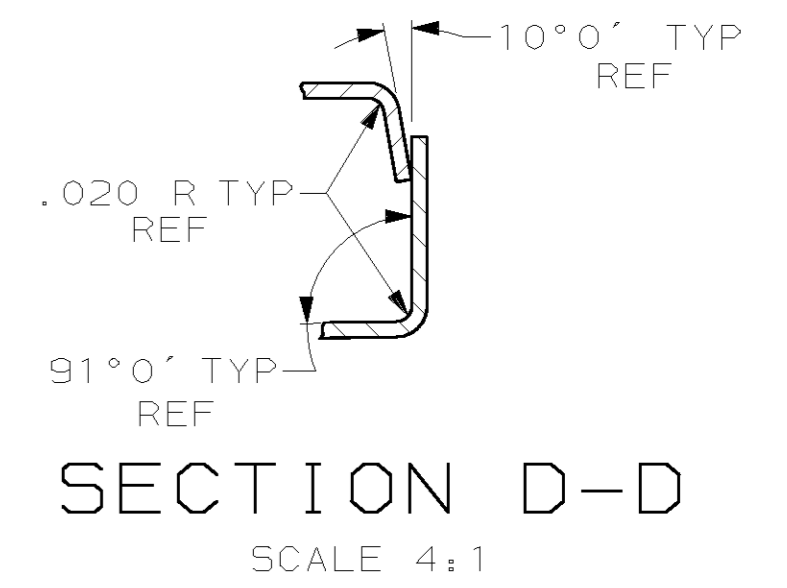
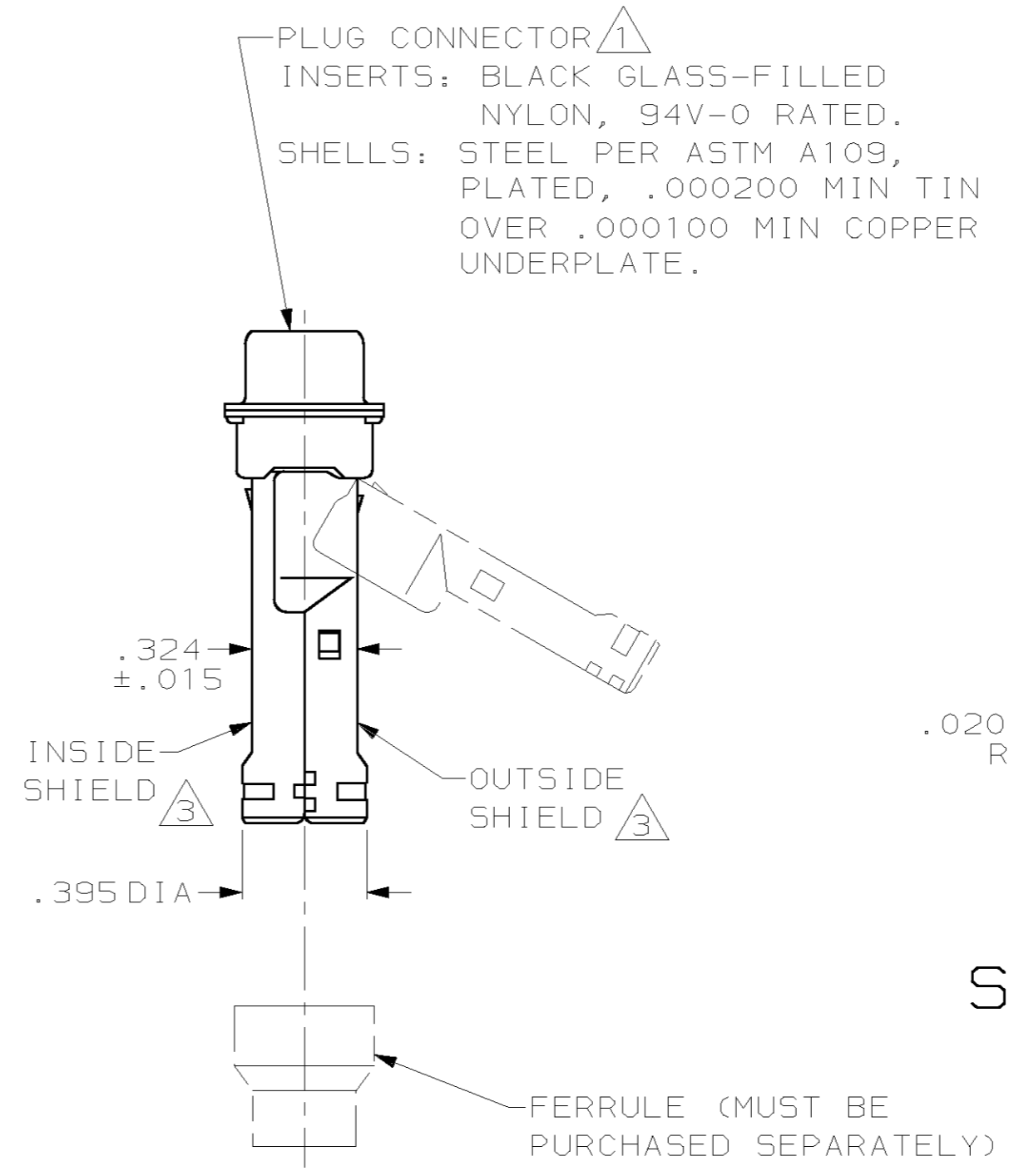
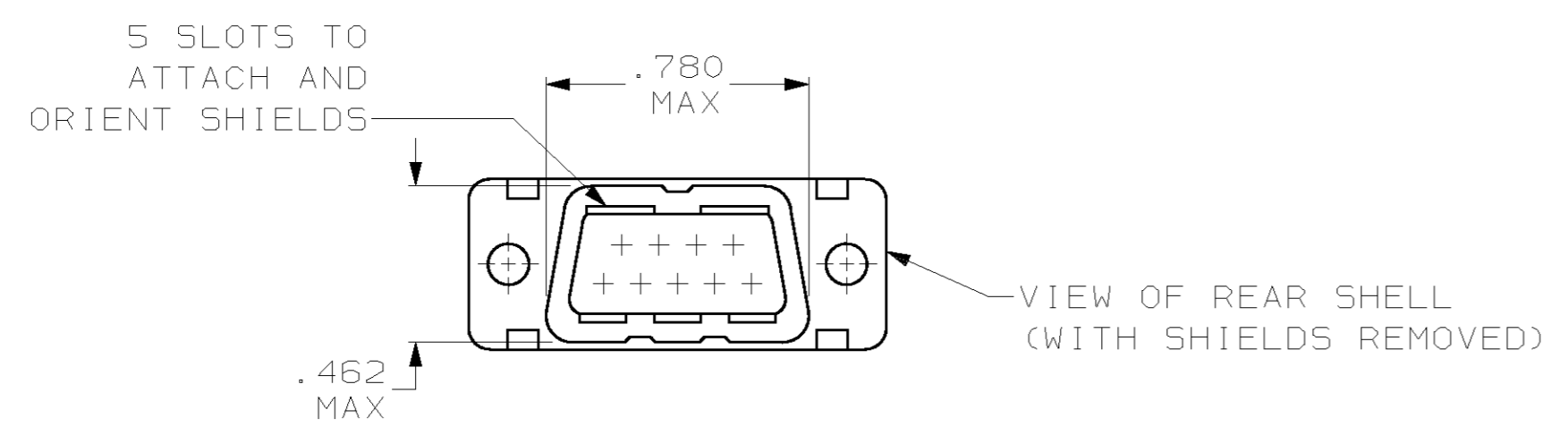
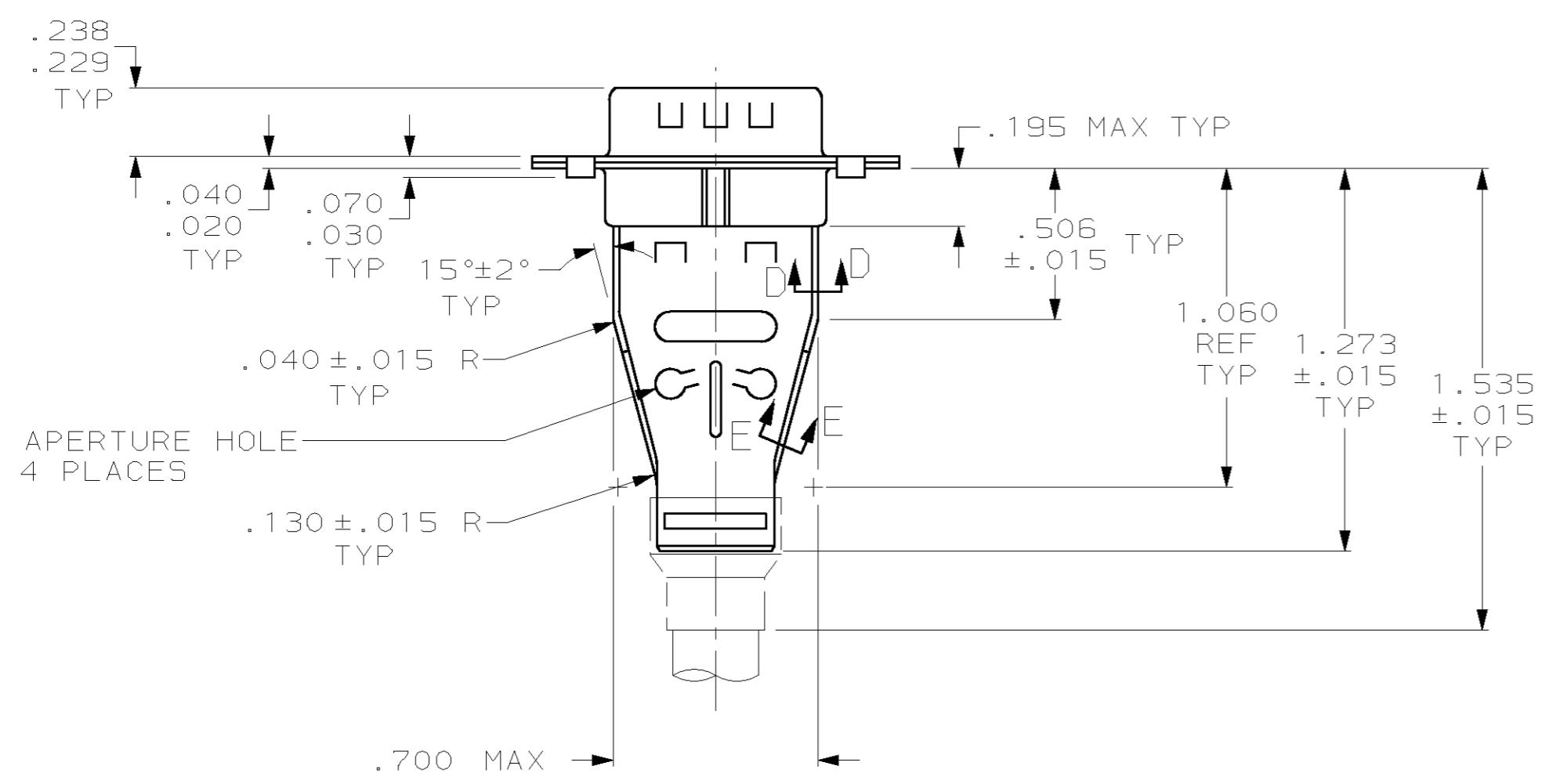
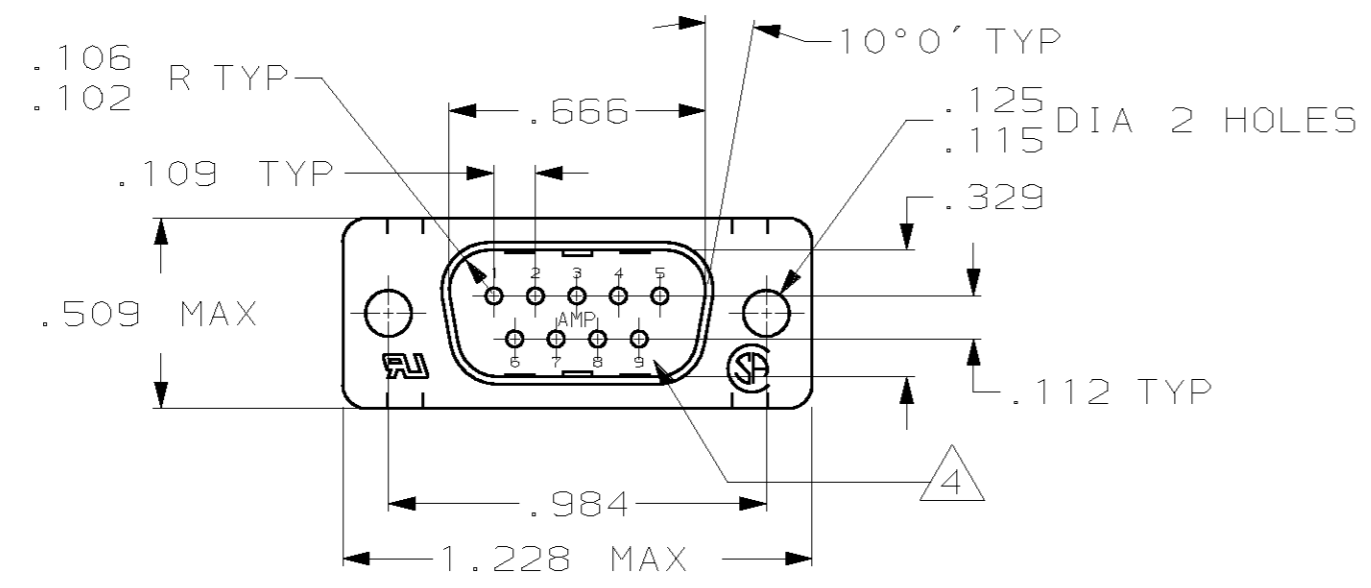
www.Jameco.com ♦ 1-800-831-4242

The content and copyrights of the attached
material are the property of its owner.

Jameco Part Number 748810

THIS DRAWING IS UNPUBLISHED. RELEASED FOR PUBLICATION
 (C) COPYRIGHT 19 BY AMP INCORPORATED, ALL RIGHTS RESERVED.

LOC		DIST		REVISIONS			
P	LTR	DESCRIPTION	DATE	DWN	APVD		
GP	00	0	RELEASED PER EC 0513-0196-03	30JUL03	JR	JG	



- ① PLUG ACCEPTS SIZE 20 PIN CONTACTS (CONTACTS MUST BE ORDERED SEPARATELY).
- 2. ALL PARTS SHIPPED UNASSEMBLED, EACH PART INDIVIDUALLY BULK PACKED.
- ③ SHIELDS: MATERIAL-.020 THICK STEEL, PER ASTM A109, PLATED .000200 MIN TIN OVER .000100 MIN COPPER UNDERPLATE.
- ④ RAISED CAVITY IDENTIFICATION AND AMP TRADEMARK.

1658645-1
 PART NUMBER

THIS DRAWING IS A CONTROLLED DOCUMENT.		DWN	26AUG03	AMP Incorporated	
DIMENSIONS: INCH		CHK	26AUG03	Harrisburg, PA 17105-3608	
TOLERANCES UNLESS OTHERWISE SPECIFIED:		APVD	26AUG03	KIT, PLUG, SHIELDING HARDWARE, SIZE 1, 9 POSITION, AMPLIMITE™ HDP-20	
0 PLC ±-		NAME	M. WALMSLEY	SIZE	A2
1 PLC ±-		PRODUCT SPEC	108-40030	CAGE CODE	00779
2 PLC ±-		APPLICATION SPEC	114-40030	DRAWING NO	1658645
3 PLC ±.005		WEIGHT	-	RESTRICTED TO	-
4 PLC ±-		FINISH	SEE CALL OUT	SCALE	2:1
ANGLES ±0°30'		MATERIAL	SEE CALL OUT	SHEET	1 OF 1
MATERIAL SEE CALL OUT		FINISH SEE CALL OUT		REV	0
CUSTOMER DRAWING					