

Distributed by:

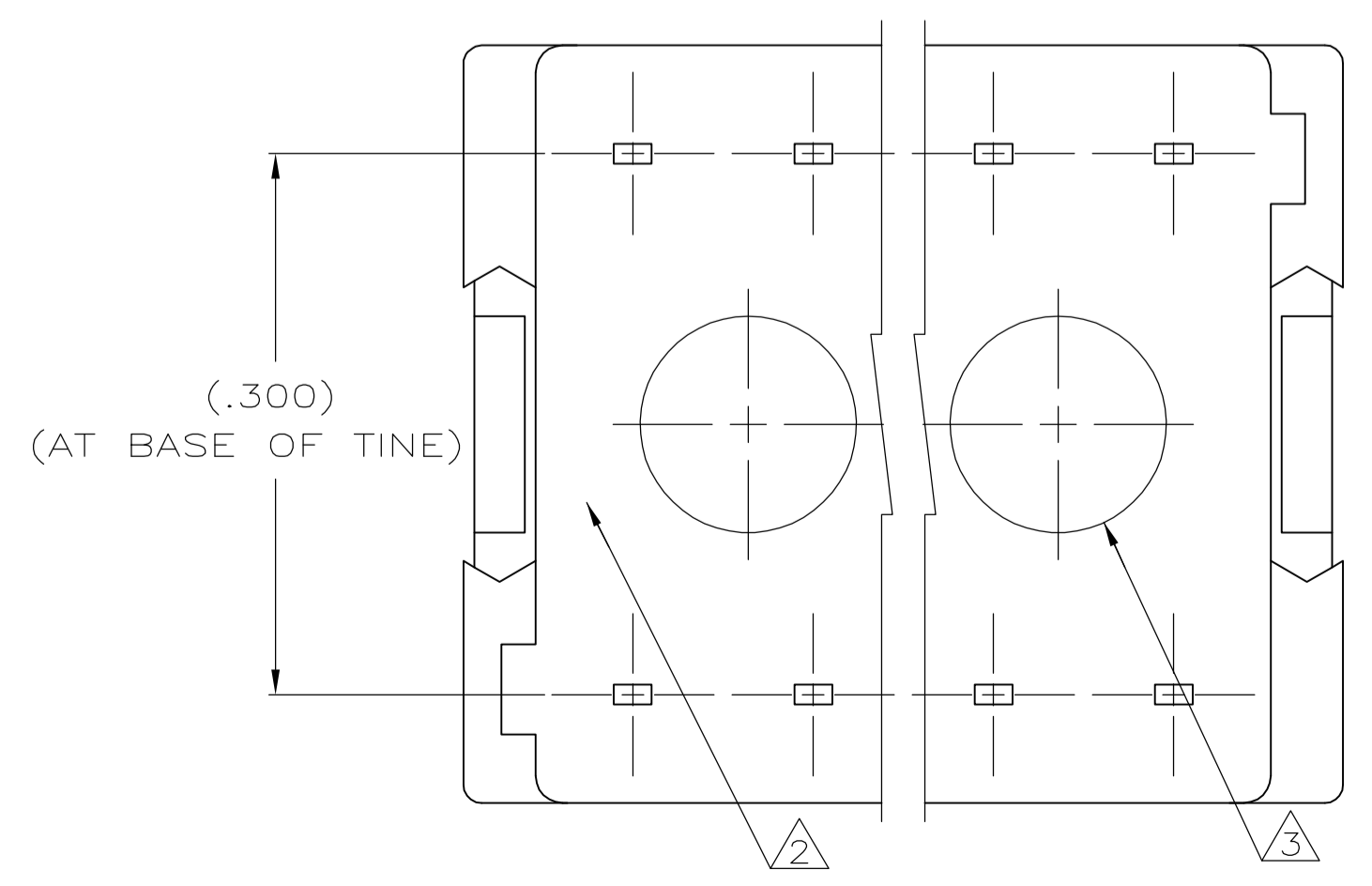
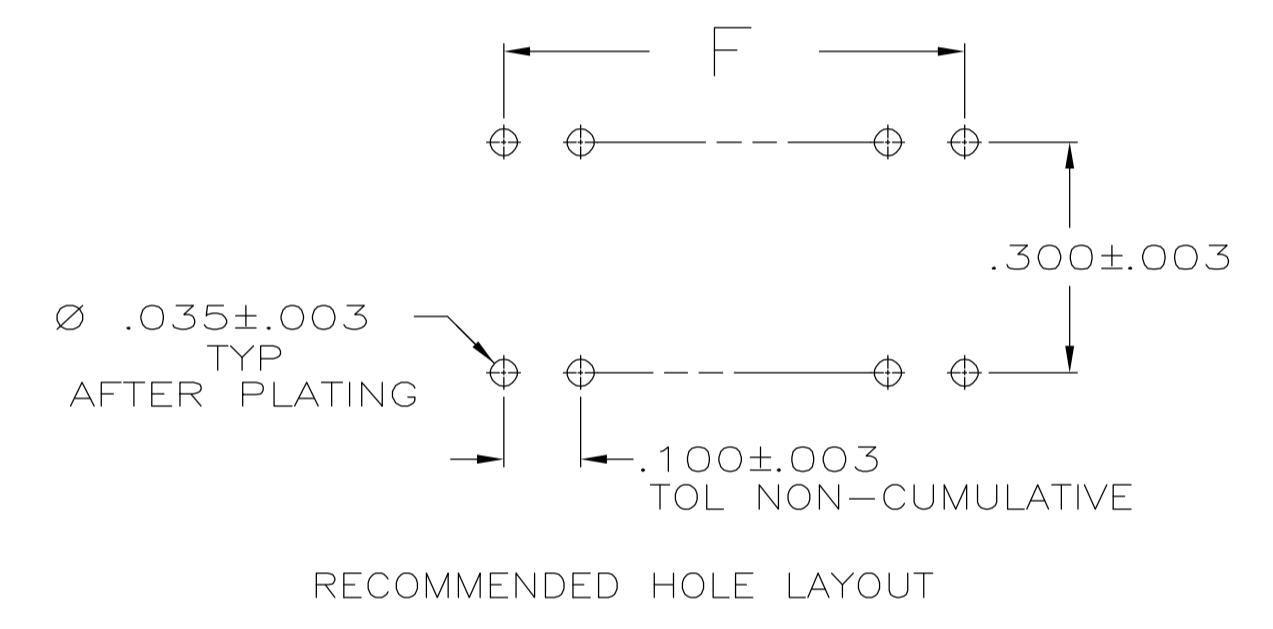
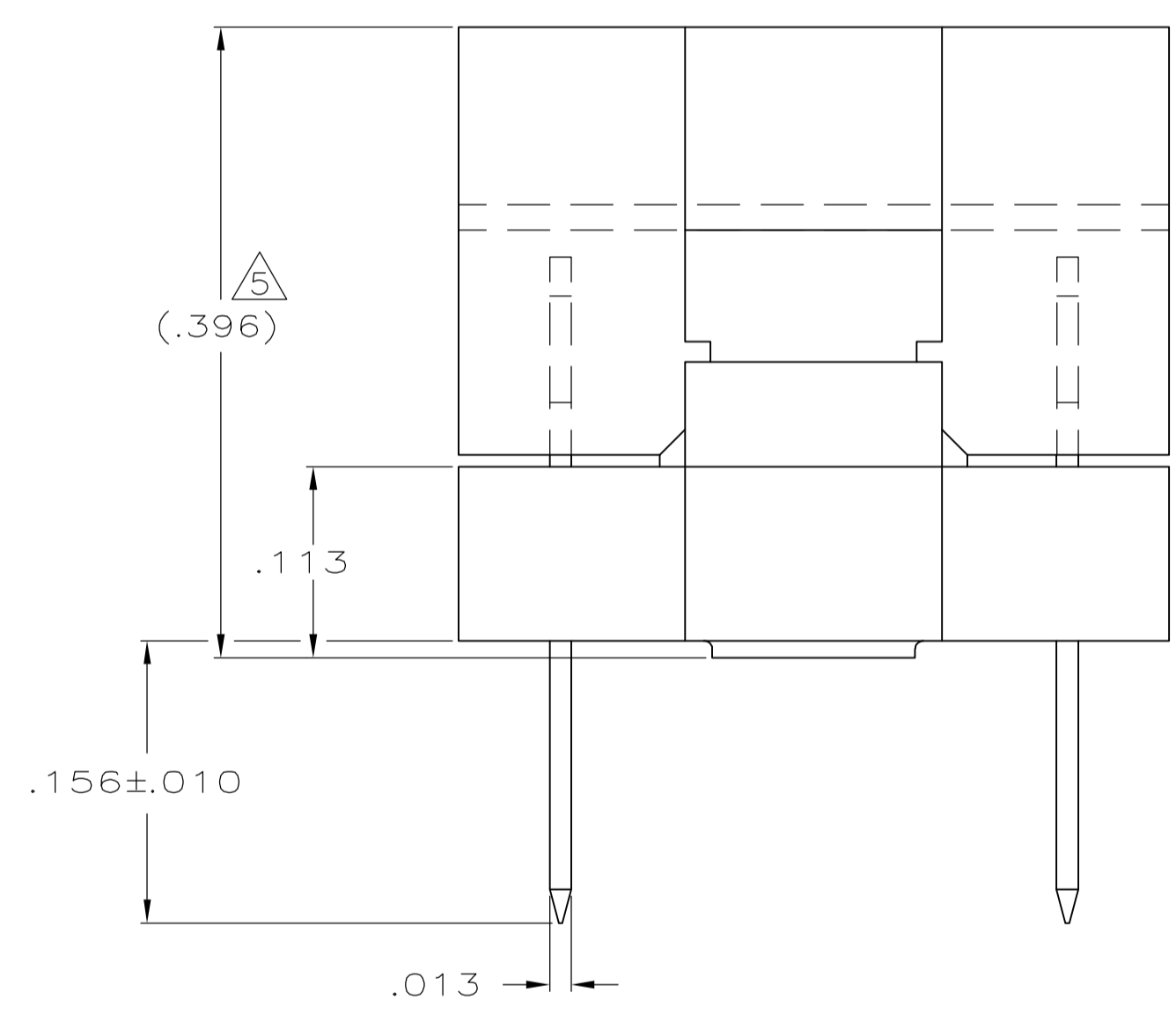
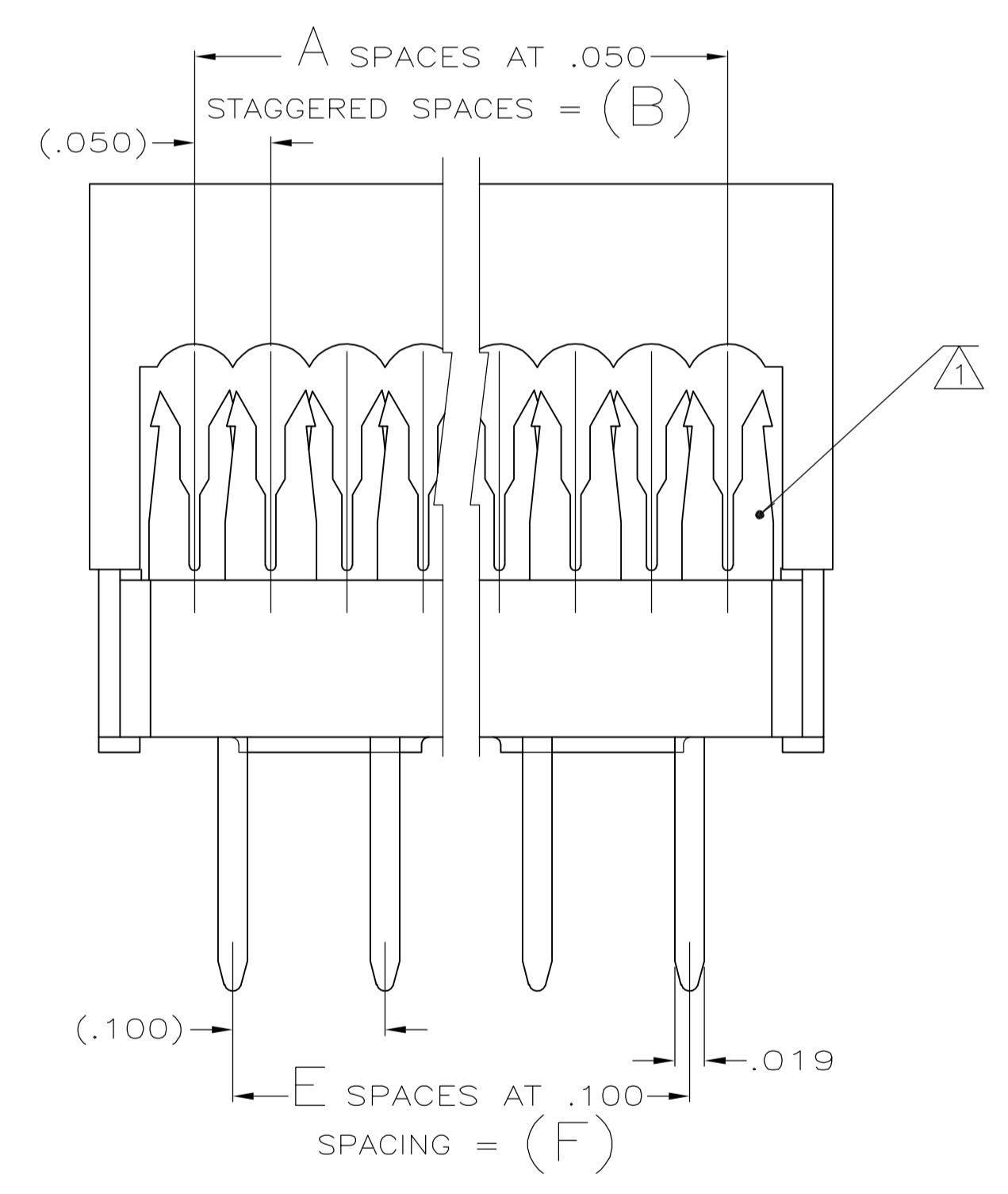
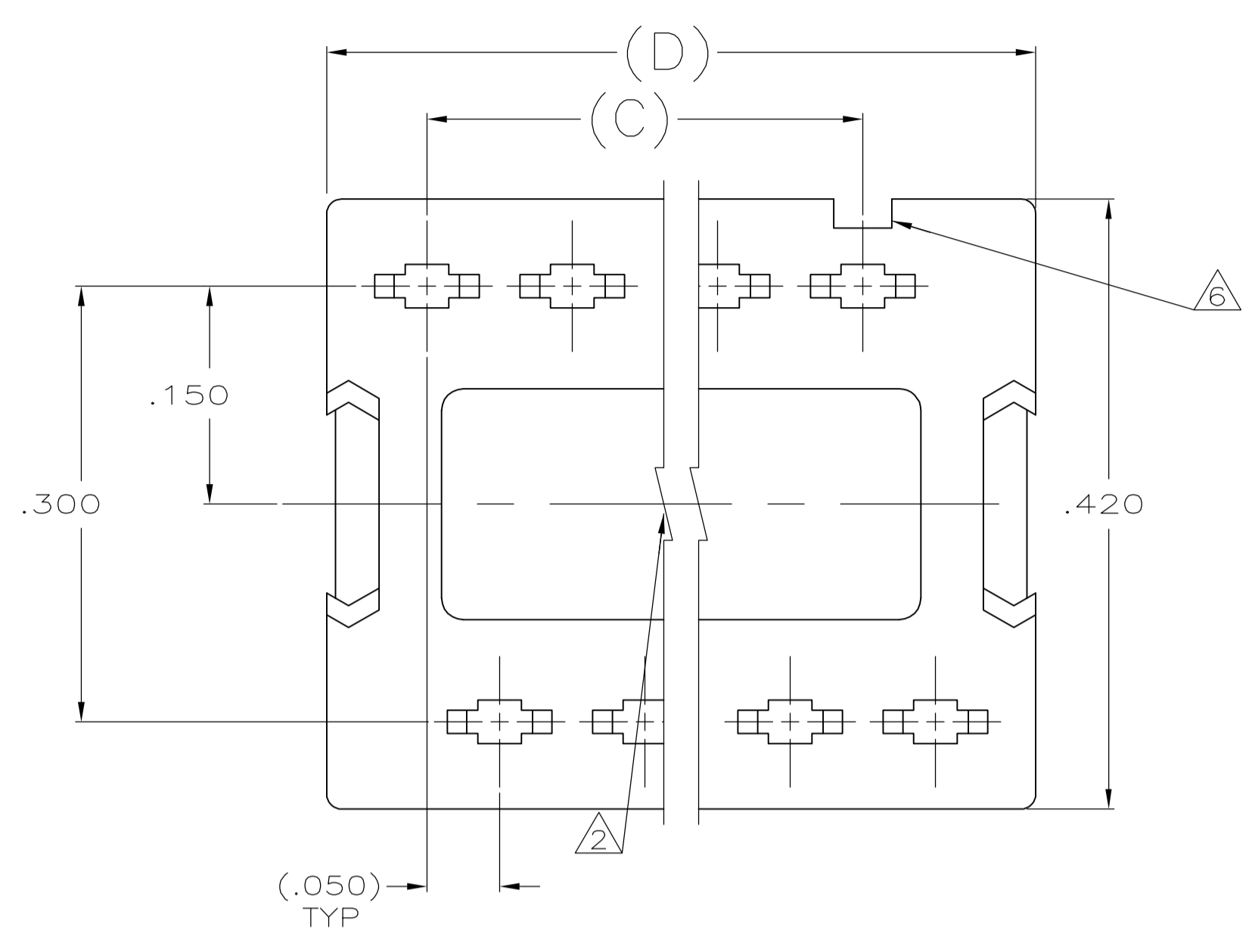
**JAMECO**<sup>®</sup>  
ELECTRONICS

**www.Jameco.com ♦ 1-800-831-4242**

The content and copyrights of the attached  
material are the property of its owner.

Jameco Part Number *755227*

- ① CONTACTS DESIGNED FOR 28 AWG STRANDED OR 26,28, & 30 AWG SOLID WIRE.
- ② AMP TRADEMARK LOCATED IN APPROX AREA SHOWN.
- ③ STANDOFFS: POSN 8 (2) STANDOFFS AS SHOWN. POSN 14-20 (3) STANDOFFS, (1) CENTERED BETWEEN (2) SHOWN
- ④ CONTACTS: .000100-.000200 MATTE TIN OVER .000050 NICKEL ON ENTIRE CONTACT.
- ⑤ HEIGHT AFTER TERMINATION IS (.253).
- ⑥ INDICATES NO 1 POSITION.
- ⑦ MOLDED PARTS: 94V-0 RATED THERMOPLASTIC, COLOR BLACK. CONTACTS: PHOS BRONZE



OBSOLETE	.900	9	1.088	.900	.950	19	20	5746613-5
OBSOLETE	.800	8	.988	.800	.850	17	18	-4
	.700	7	.888	.700	.750	15	16	-3
	.600	6	.788	.600	.650	13	14	-2
	.300	3	.488	.300	.350	7	8	5746613-1
	F	E	D	C	B	A	NO OF POSN	

THIS DRAWING IS A CONTROLLED DOCUMENT.		DIN 11-29-04 G. ATTADIA - DOCKS		Tyco Electronics Corporation Harrisburg, PA 17105-3608	
DIMENSIONS: INCHES		TOLERANCES UNLESS OTHERWISE SPECIFIED:		APVD M. WALMSLEY 11-29-04	
0 PLC ± -		1 PLC ± -		NAME KIT, AMP-LATCH DIP PLUG, PREASSEMBLED .100 X .300 CENTERS, FULL TIN PLATED CONTACTS	
1 PLC ± -		2 PLC ± -		PRODUCT SPEC 108-40013	
2 PLC ± -		3 PLC ± .005		APPLICATION SPEC 114-40005	
3 PLC ± -		4 PLC ± -		SIZE A1	
4 PLC ± -		ANGLES ± -		CAGE CODE 00779	
MATERIAL ⑦		FINISH ④		DRAWING NO. 5746613	
				RESTRICTED TO	
				CUSTOMER DRAWING	
				SCALE NTS SHEET 1 OF 0 REV A	