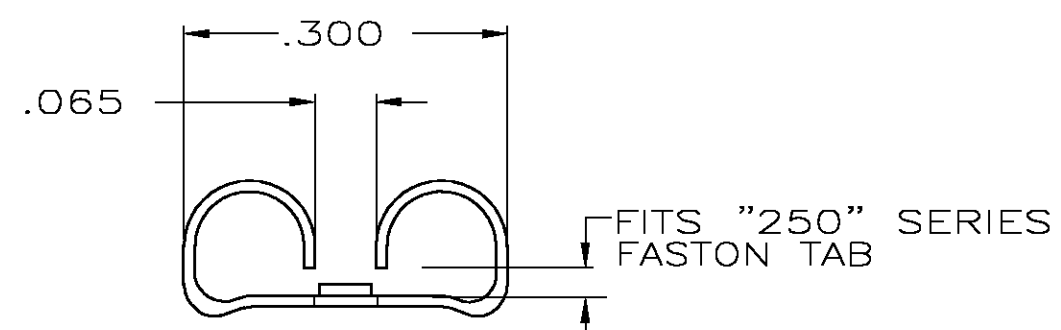
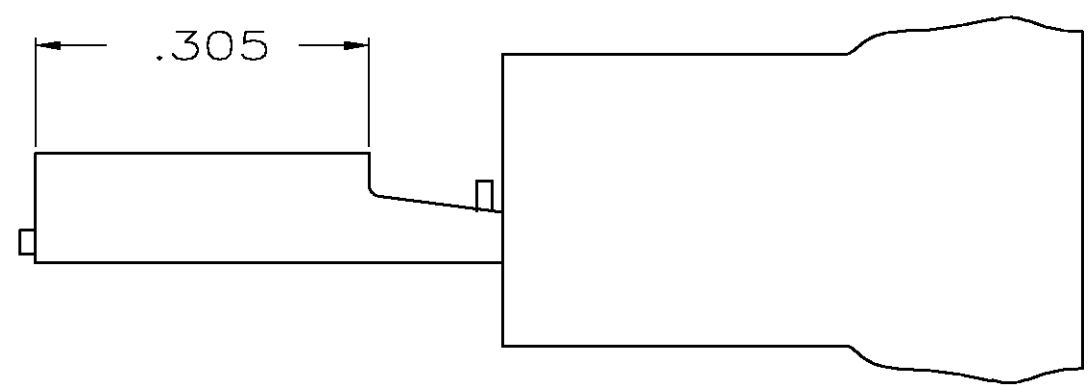
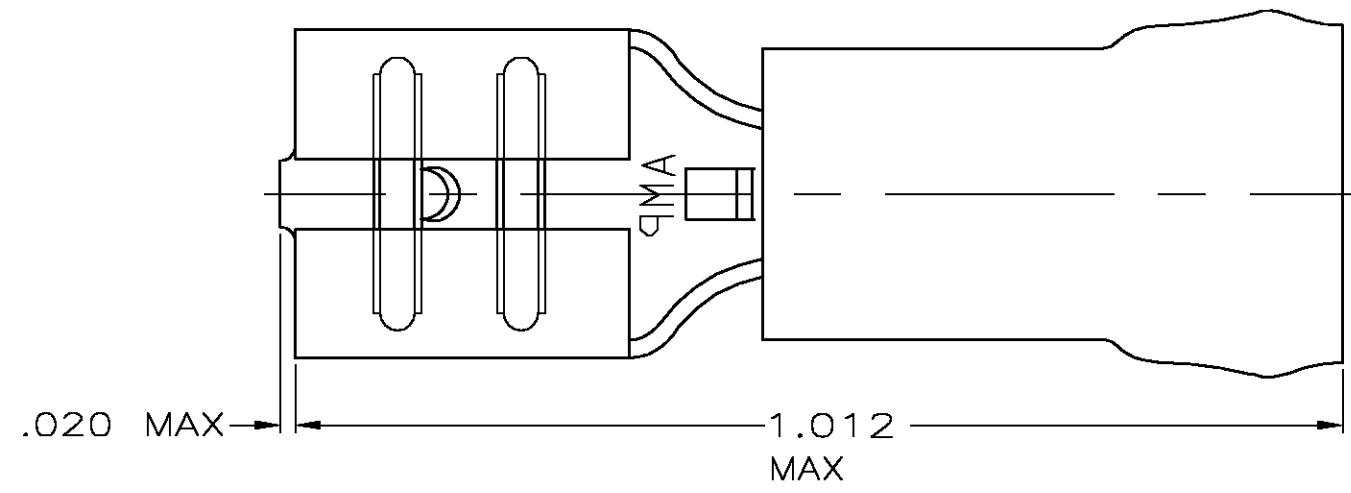


THIS DRAWING IS UNPUBLISHED. RELEASED FOR PUBLICATION
 © COPYRIGHT BY TYCO ELECTRONICS CORPORATION. ALL RIGHTS RESERVED.

LOC	DIST	REVISIONS			
P	LTR	DESCRIPTION	DATE	DWN	APVD
G	14	J	REV PER 0G3A-0319-03	27MAY03	JR TM



- 1. INSULATION DIA .250 MAX
- 2. FITS TAB .032 THK
- 3 PRELIMINARY - NOT FOR PREPRODUCTION

AMP WIRE RANGE	FILE E66717	LR7189 Certified
12-10 AWG STRANDED	12-10 AWG STRANDED	12-10 AWG STRANDED

100	LOOSE PC, BOX	8-640907-1
1000	TAPE MOUNTED	640907-3
2500	TAPE MOUNTED	640907-2
-	LOOSE PIECE	640907-1
QTY	PACKAGE TYPE	PART NO

TYCO ELECTRONICS CUSTOMER SERVICE SYSTEM FOR ADDITIONAL PRODUCT INFORMATION OR COPIES OF DRAWING AND TECHNICAL DOCUMENTS: PRODUCT INFORMATION CENTER 1-800-522-6752 FOR APPLICATION TOOLING INFORMATION: TOOLING ASSISTANCE CENTER 1-800-722-1111 FOR ORDER ENTRY: 1-800-526-5142		MAX RECOMMENDED OPERATING TEMPERATURE: 105°C VOLTAGE RATING: 300V MAX CIRCULAR MIL AREA: 5,180-13,100 STRANDED	THIS DRAWING IS A CONTROLLED DOCUMENT. DIMENSIONS: INCHES TOLERANCES UNLESS OTHERWISE SPECIFIED: 0 PLC ± - 1 PLC ± - 2 PLC ± .015 3 PLC ± - 4 PLC ± - ANGLES ± - MATERIAL: BODY, BRASS .018 FINISH: BODY, TIN	DWN: L OLMEDA 26JUN95 CHK: M ELLIS 26JUN95 APVD: B BARE 26JUN95 PRODUCT SPEC: UL 310 APPLICATION SPEC: 114-1002 WEIGHT: - CUSTOMER DRAWING	 Tyco Electronics Corporation Harrisburg, PA 17105 NAME: RECEPTACLE, 250 SERIES, FASTON, PIDG, 12-10 SIZE: A3 CAGE CODE: 00779 DRAWING NO: 640907 RESTRICTED TO: - SCALE: 6:1 SHEET: 1 OF 1 REV: J
---------------------------------------------------------------------------------------------------------------------------------------------------------------------------------------------------------------------------------------------------------------------------------------------------	--	----------------------------------------------------------------------------------------------------------------------	---------------------------------------------------------------------------------------------------------------------------------------------------------------------------------------------------------------------------------------------	--------------------------------------------------------------------------------------------------------------------------------------------------------------	----------------------------------------------------------------------------------------------------------------------------------------------------------------------------------------------------------------------------------