

Distributed by:

JAMECO[®]
ELECTRONICS

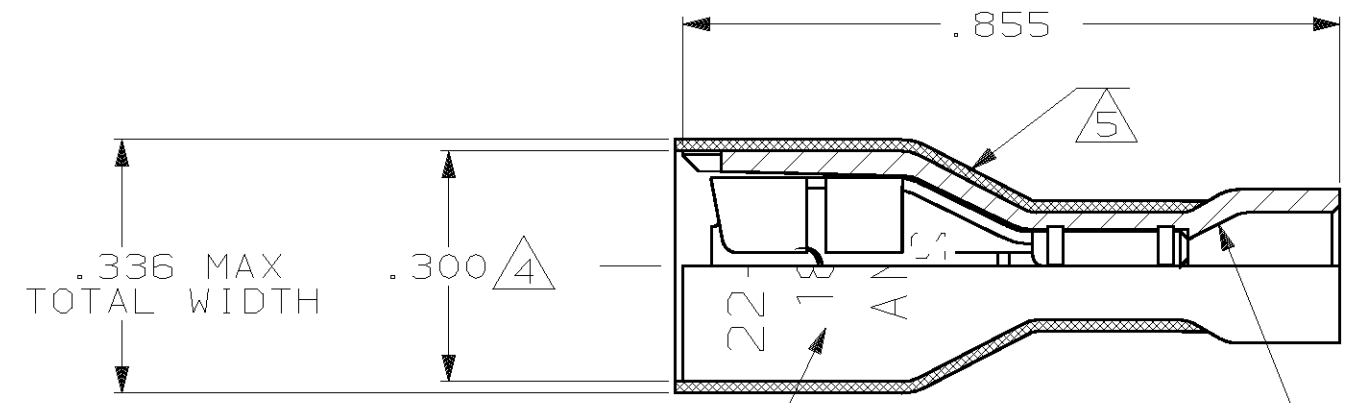
www.Jameco.com ♦ 1-800-831-4242

The content and copyrights of the attached
material are the property of its owner.

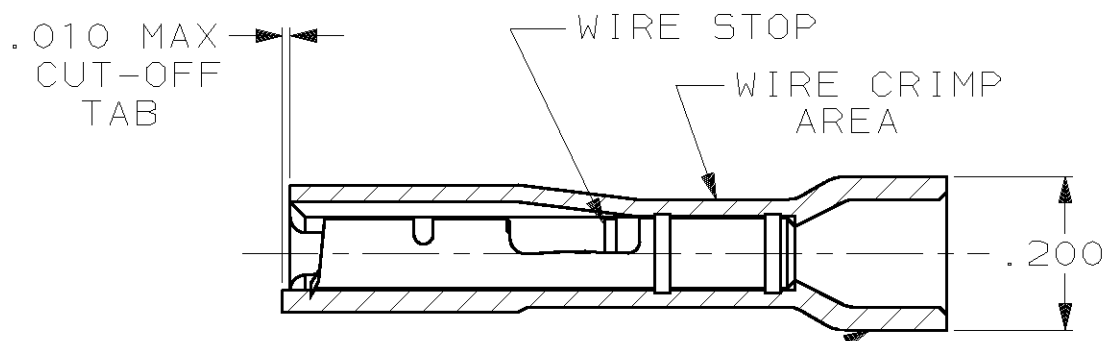
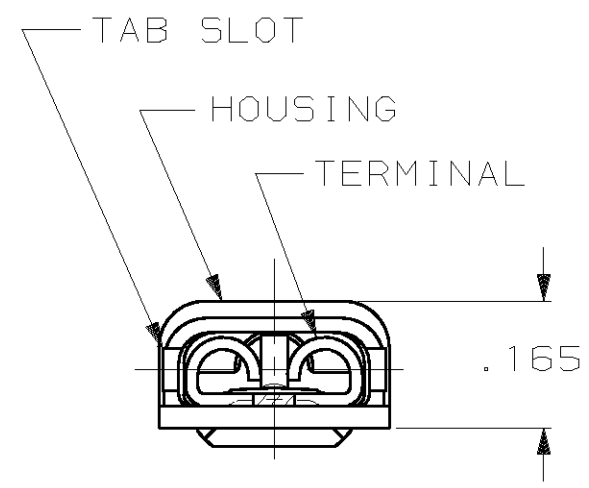
Jameco Part Number 524197

THIS DRAWING IS UNPUBLISHED. RELEASED FOR PUBLICATION, 19
 © COPYRIGHT 19 BY AMP INCORPORATED. ALL INTERNATIONAL RIGHTS RESERVED.

LOC	DIST	P	F	ZONE	LTR	REVISIONS	DATE	APPD
AF	50				M	REV PER 0G1A-0147-99	3JUN99	JR/JH



- 1 MATES WITH .020±.001×.187 TAB
- 2 WIRE STRIP LENGTH .281
- 3 INSULATION SIZE .135 MAX DIA
- 4 DIMENSION DOES NOT INCLUDE TRIM BURR
- 5 .015 MAX CARRIER TRIM BURR PER SIDE IS ALLOWABLE IN THE SHADED AREA



WIRE AND RECEPTACLE { 22-18
 SIZE IDENTIFICATION { 187
 AMP

HOUSING: NYLON, COLOR-RED TRANSLUCENT		2-520182-2	
RECEPTACLE: #3 HARD BRASS TIN PL .000080 MIN THK		PART NO	
DO NOT SCALE PRINT. UNLESS SPECIFIED DIMENSIONS IN INCHES TOLERANCES ON: 2 PLC DEC ± - 3 PLC DEC ± .015 ANGLES ± -		DR 10/7/88 P FORTNEY	AMP INCORPORATED Harrisburg, Pa. 17105
MATERIAL SEE TABLE		CHK 10/10/88 MS FEHER	
FINISH SEE TABLE		APPD 10/10/88 K RANDOLPH	NAME RECEPTACLE ASSY, ULTRA-FAST, LOOSE PIECE, .187 SERIES, 22-18 AWG
		APPD 10/10/88 TL SHUTTER	SIZE B FSCM NO 00779 DRAWING NO 520182
		PRODUCT SPEC 108-2043	SCALE 4:1 SHEET 1 OF 1
		APPLICATION SPEC 114-2123	
		WEIGHT -	