

Distributed by:

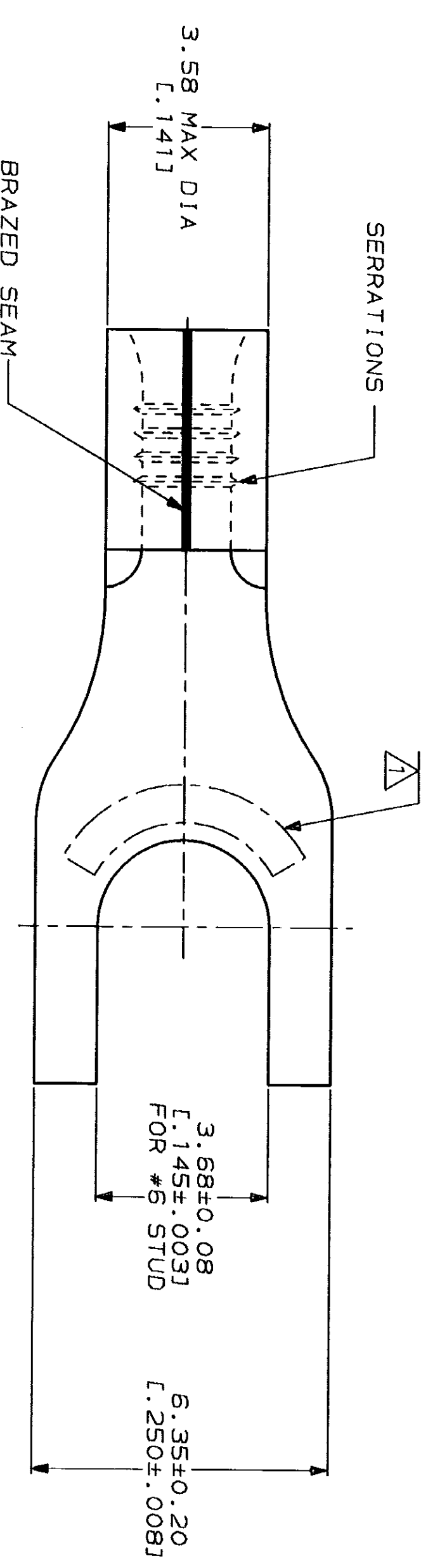
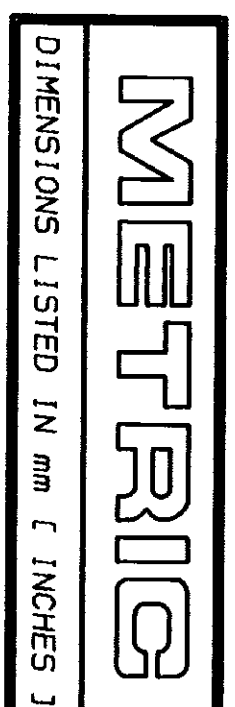
JAMECO[®]
ELECTRONICS

www.Jameco.com ♦ 1-800-831-4242

The content and copyrights of the attached
material are the property of its owner.

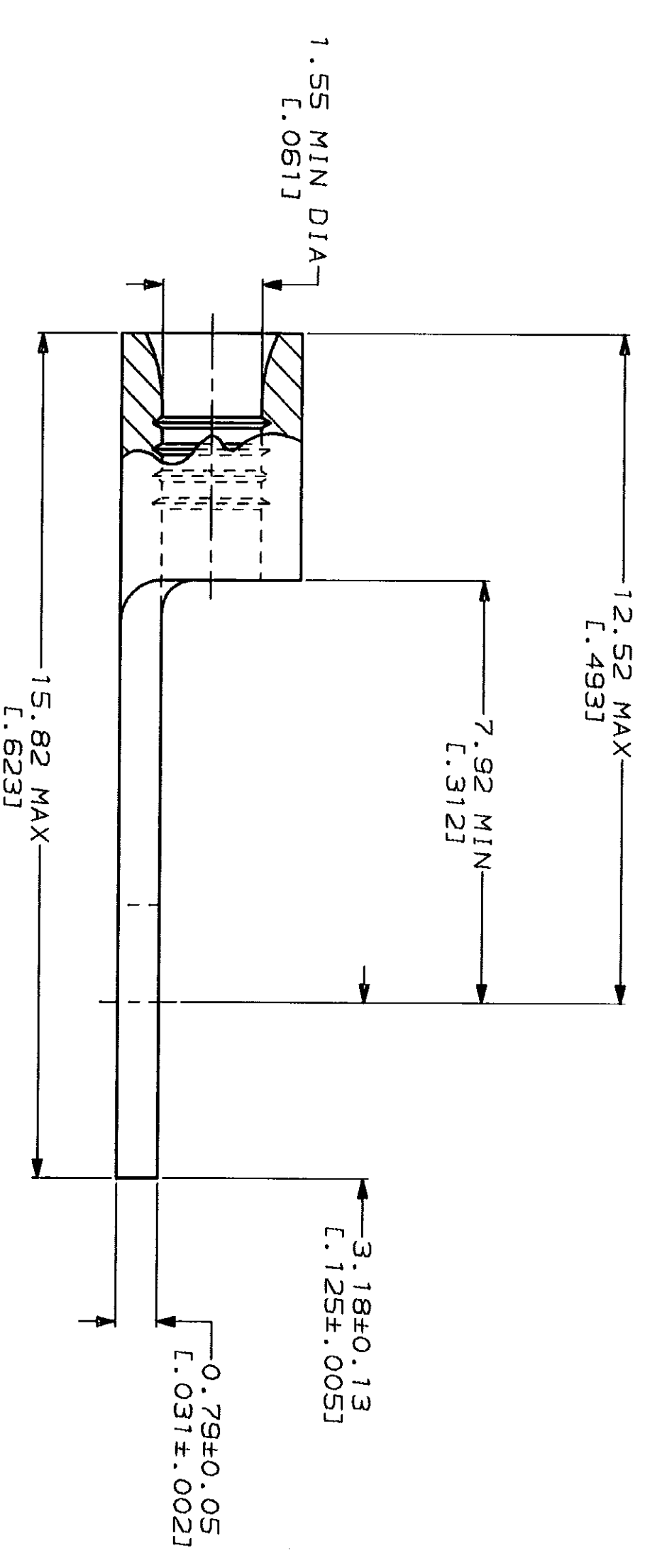
Jameco Part Number 842929

| LOC | DIST | REV | ZONE | LTR | DESCRIPTION | DATE | APPD |
|-----|------|-----|------|-----|--------------------------------------|---------|--------|
| G | 14 | P | | C | REV, RDRW, & SM PKG PER 0720-0040-93 | 3-26-93 | 18 DAP |



| | |
|--------------------------------|--------------------------------|
| AMP WIRE RANGE | UL E13288 Listed |
| 22-16 AWG SOLID OR STRANDED | 22-16 AWG SOLID OR STRANDED |
| LR7189 Certified | MILITARY P/N AND CLASS |
| 22-16 AWG SOLID OR STRANDED | NOT APPLICABLE |

STAMP AMP 22-18* APPROX AS SHOWN
 22-16 TERMINALS ARE STAMPED 22-18 IN
 ACCORDANCE WITH MILITARY SPECIFICATION
 MIL-T-7928, COMMERCIAL WIRE RANGE IS 22-16



| DO NOT SCALE PRINT. UNLESS SPECIFIED DIMENSIONS IN mm [INCHES] TOLERANCES ON: | DR | CHK | APPD | NAME |
|--|------------------------|-------------------------|-----------------------|---|
| 3 PLG DEC ± . | 3-26-93 TA BRINKMAN | 3-26-93 DA PATTERSON | 3-26-93 DE MILLER | AMP |
| 2 PLG DEC ± . | | | 3-26-93 JL NECKLEY | AMP Incorporated Harrisburg, PA 17105-3608 |
| 1 PLG DEC ± . | | | | |
| ANGLES | | | | |
| MATERIAL | | | | |

| FINISH | APPLICATION SPEC | WEIGHT | SCALE |
|---|------------------|--------|-------|
| TIN PLATE | | | 10:1 |
| 0.00254 [L.000100] MIN THK PER MIL-T-10727 | | | |

| DR | CHK | APPD | NAME |
|------------------------|-------------------------|-----------------------|---|
| 3-26-93 TA BRINKMAN | 3-26-93 DA PATTERSON | 3-26-93 DE MILLER | AMP |
| | | 3-26-93 JL NECKLEY | AMP Incorporated Harrisburg, PA 17105-3608 |

| QUANTITY | PACKAGE TYPE | PART NO |
|----------|------------------|------------|
| 100 | LOOSE PIECE, BOX | 8-323127-1 |
| --- | LOOSE PIECE | 323127 |

AMP INCORPORATED
CUSTOMER SERVICE SYSTEMS

FOR ADDITIONAL
 PRODUCT INFORMATION OR
 COPIES OF DRAWINGS
 AND TECHNICAL DOCUMENTS
 1-800-522-6752

FOR APPLICATION
 TOOLING INFORMATION
 1-800-722-1111

FOR ORDER ENTRY
 1-800-526-5142

MAX RECOMMENDED OPERATING
 TEMPERATURE: 170°C MAX

VOLTAGE RATING:
 NOT APPLICABLE

WIRE CROSS SECTIONAL AREA RANGE:
 0.26-1.65mm² [509-3,260] CIR MILS
 SOLID OR STRANDED

THIS DRAWING IS A CONTROLLED DOCUMENT FOR AMP INCORPORATED. IT IS SUBJECT TO CHANGE AND THE CONTROLLING ENGINEERING ORGANIZATION SHOULD BE CONTACTED FOR THE LATEST REVISION.