

Distributed by:

**JAMECO**<sup>®</sup>  
ELECTRONICS

**www.Jameco.com ♦ 1-800-831-4242**

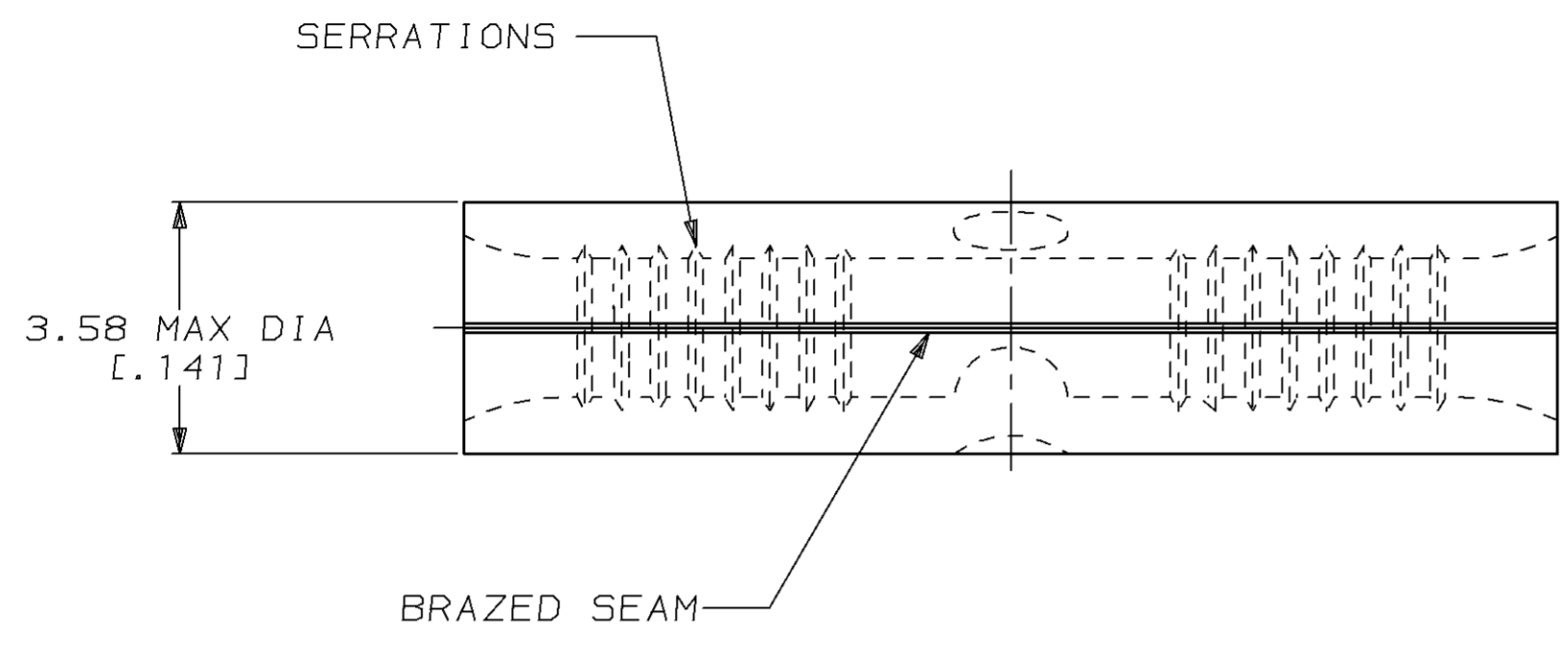
The content and copyrights of the attached  
material are the property of its owner.

Jameco Part Number 841889

THIS DRAWING IS UNPUBLISHED. RELEASED FOR PUBLICATION, 19 .  
 © COPYRIGHT 19 BY AMP INCORPORATED. ALL INTERNATIONAL RIGHTS RESERVED.

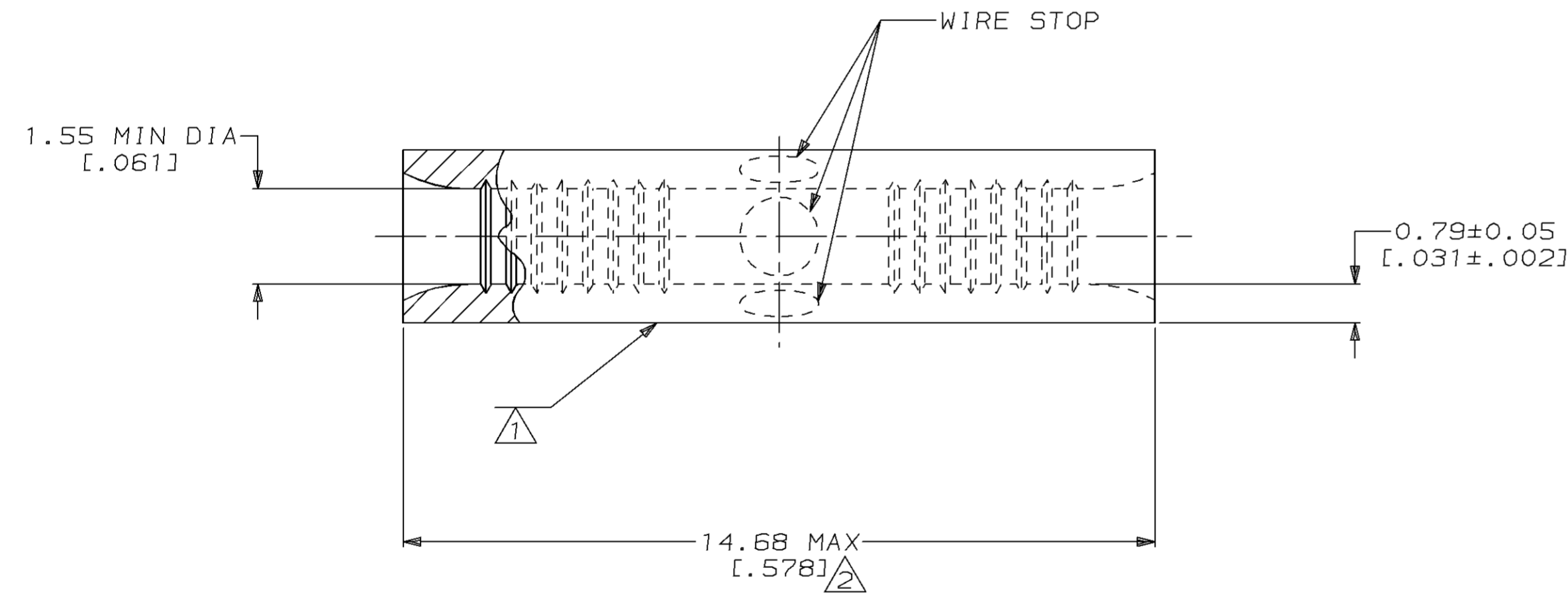
LOC	DIST	P	F	ZONE	LTR	DESCRIPTION	DATE	APPD
G	14				H	REVISED PER 0720-0044-94	4/27/94	OKS DAP

**METRIC**  
 DIMENSIONS LISTED IN mm [ INCHES ]



<b>AMP</b> WIRE RANGE	<b>UL</b> E13288 Listed
22-16 AWG SOLID OR STRANDED	22-16 AWG SOLID OR STRANDED
<b>SR</b> LR7189 Certified	MILITARY P/N AND CLASS
22-16 AWG SOLID OR STRANDED	NOT APPLICABLE

- ① STAMP AMP 22-18\* APPROX AS SHOWN  
22-16 SPLICES ARE STAMPED 22-18 IN  
ACCORDANCE WITH MILITARY SPEC MIL-T-7928  
COMMERCIAL WIRE RANGE IS 22-16
- ② MAXIMUM LENGTH DOES NOT INCLUDE  
MANUFACTURING TABS



QUANTITY	PACKAGING TYPE	PART NO
100	LOOSE PIECE, BOX	8-31818-1
5000	ON TAPE	2-31818-1
----	LOOSE PIECE	31818

**AMP INCORPORATED**  
**CUSTOMER SERVICE SYSTEMS**

FOR ADDITIONAL PRODUCT INFORMATION OR COPIES OF DRAWINGS AND TECHNICAL DOCUMENTS

FOR APPLICATION TOOLING INFORMATION

FOR ORDER ENTRY

PRODUCT INFORMATION CENTER  
1-800-522-6752

TOOLING ASSISTANCE CENTER  
1-800-722-1111

1-800-526-5142

MAX RECOMMENDED OPERATING TEMPERATURE:  
170°C MAX

VOLTAGE RATING:  
NOT APPLICABLE

WIRE CROSS SECTIONAL AREA RANGE:  
0.26-1.65mm<sup>2</sup> [509-3,260] CIR MILS  
SOLID OR STRANDED

THIS DRAWING IS A CONTROLLED DOCUMENT FOR AMP INCORPORATED. IT IS SUBJECT TO CHANGE AND THE CONTROLLING ENGINEERING ORGANIZATION SHOULD BE CONTACTED FOR THE LATEST REVISION.

DO NOT SCALE PRINT. UNLESS SPECIFIED DIMENSIONS IN mm [INCHES]— TOLERANCES ON :  
 2 PLC DEC ± -  
 3 PLC DEC ± -  
 ANGLES ± -

MATERIAL  
COPPER PER ASTM B-152 ANNEALED

FINISH  
TIN PLATE 0.00254 [0.000100] MIN THK PER MIL-T-10727

DR 4-13-93 TA BRINKMAN  
 CHK 4-13-93 DA PATTERSON  
 APPD 4-13-93 DE MILLER  
 APPD 4-13-93 JL MECKLEY  
 PRODUCT SPEC -  
 APPLICATION SPEC -  
 WEIGHT -

**AMP** AMP Incorporated  
 Harrisburg, PA 17105-3608

NAME  
**SPLICE, BUTT, STANDARD, SOLISTRAND™**

SIZE CAGE CODE DRAWING NO  
 C 00779 C=31818

SCALE 10:1 SHEET 1 OF 1