

Distributed by:

JAMECO[®]
ELECTRONICS

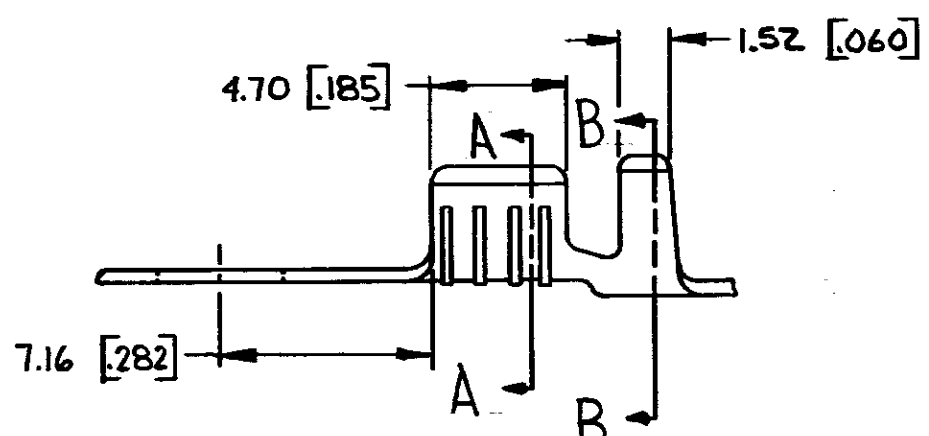
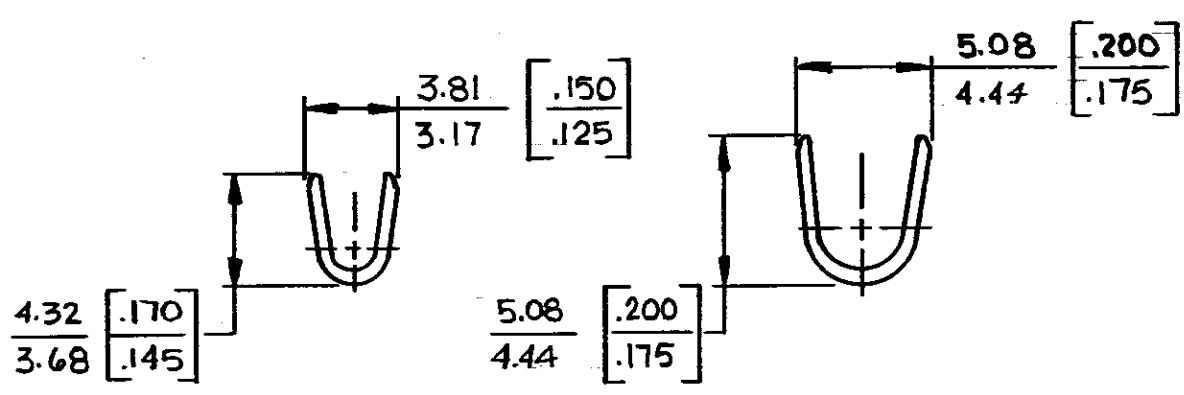
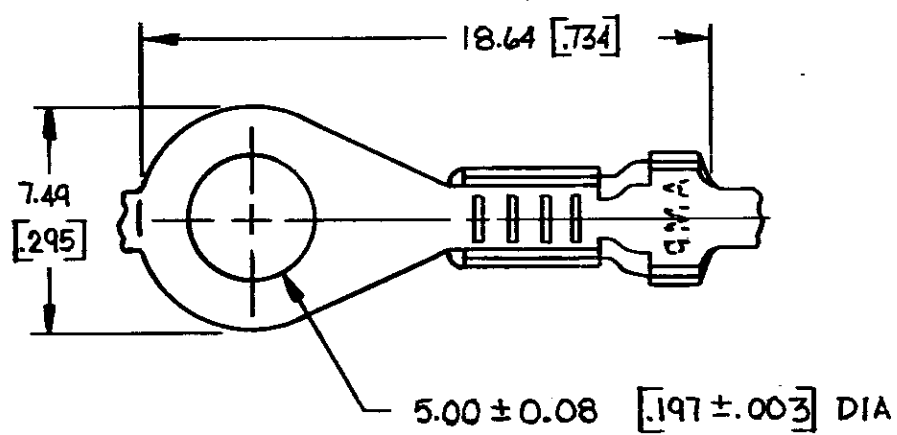
www.Jameco.com ♦ 1-800-831-4242

The content and copyrights of the attached
material are the property of its owner.

Jameco Part Number 963026

© COPYRIGHT 1965 BY AMP INCORPORATED, HARRISBURG, PA. ALL INTERNATIONAL RIGHTS RESERVED. AMP INCORPORATED PRODUCTS COVERED BY U. S. AND FOREIGN PATENTS AND/OR PATENTS PENDING.

				1	LOC AF	DIST 50
REVISIONS						
P	F	ZONE	LTR	DESCRIPTION	DATE	APPROVED
✓			E	REDRAWN & REVISED A-3943	6-26-78	DTA SS
✓			F	INSUL. SUPP. LENGTH AF-0781	2-20-85	RLD 6/



*U-S DOWN	—	0.8-2.0mm ²	2.54 - 3.56	TIN	↑	60772-3
*U-S UP	#10	[18 - 14]	[.100 - .140]	TIN	↑	60772-2
*U-S UP				NONE	0.46 [.018] BRASS	60772-1
REEL DIRECTION	STUD SIZE	WIRE RANGE	INSULATION RANGE	FINISH	MATERIAL	PART NO

UNLESS OTHERWISE SPECIFIED DIMENSIONS ARE IN INCHES mm TOLERANCES ON: DECIMALS ±0.38 [.015] ANGLES ± 1° 0'	CONTRACT NO		AMP INCORPORATED Harrisburg, Pa.	
	DR D. Adin 6-26-78			
	MATERIAL		NAME	
	SEE TABLE		RING	
FINISH		SIZE	CODE IDENT NO	DRAWING NO
SEE TABLE		B	00779	60772
		SCALE	SHEET	

- CONTINUOUS STRIP ON REELS
- DIMENSIONS IN BRACKETS ARE IN INCHES

METRIC