

Distributed by:

**JAMECO**<sup>®</sup>  
ELECTRONICS

**www.Jameco.com ♦ 1-800-831-4242**

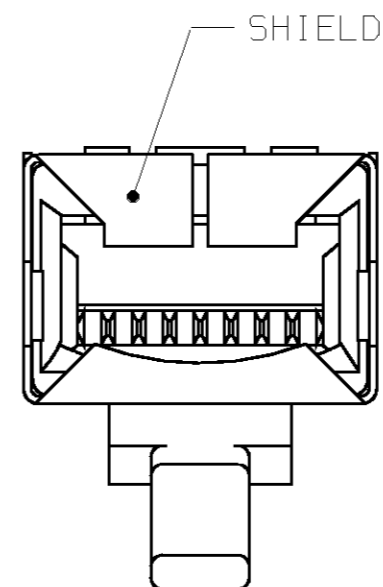
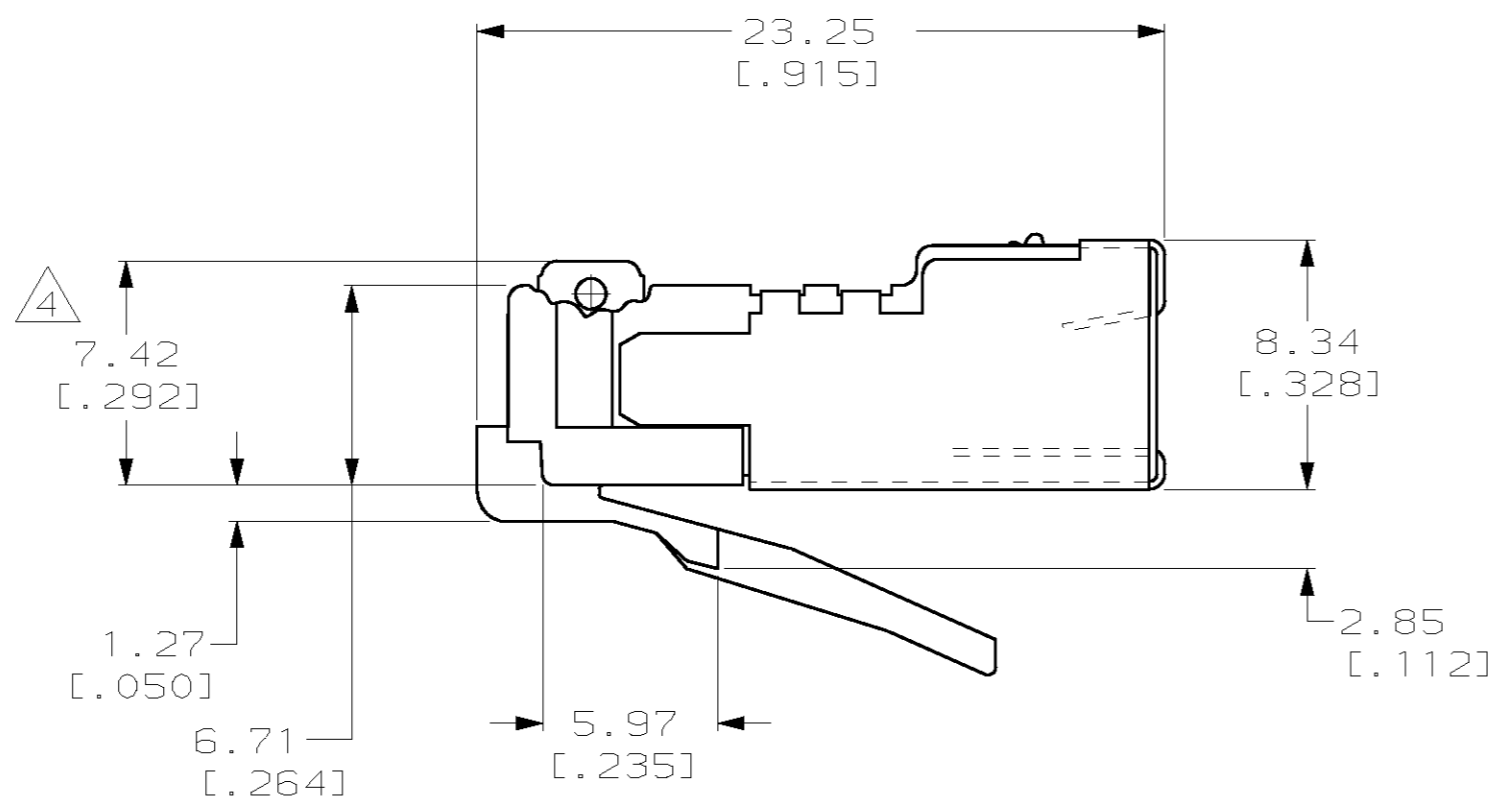
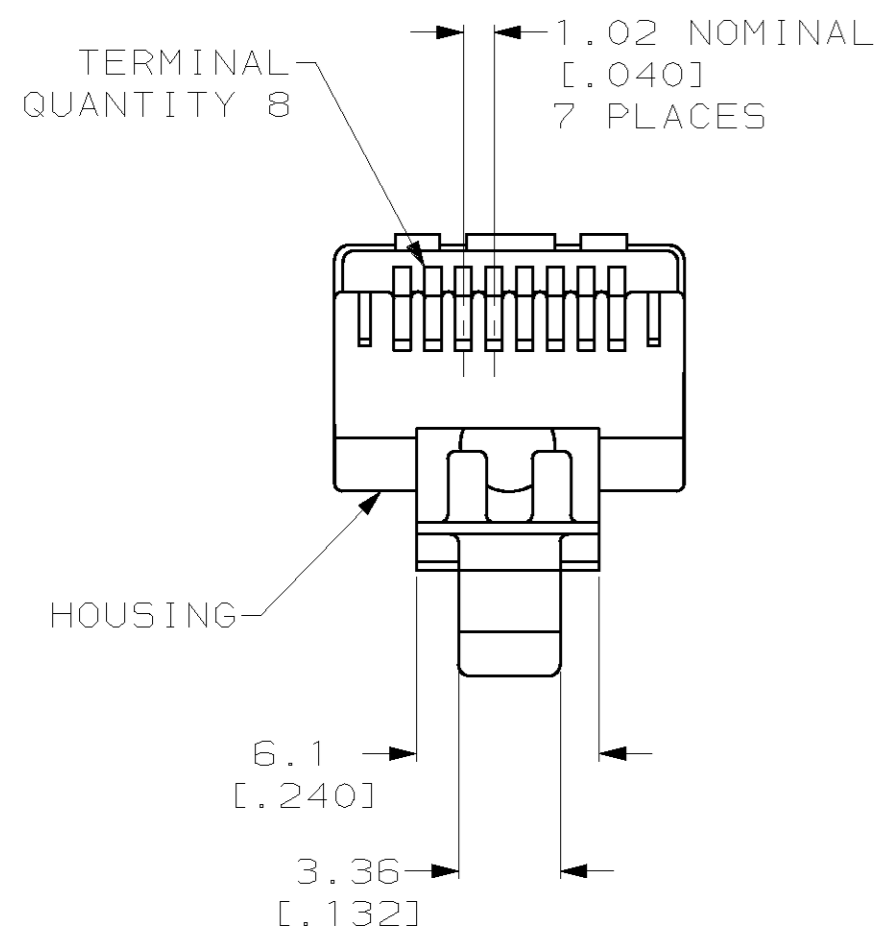
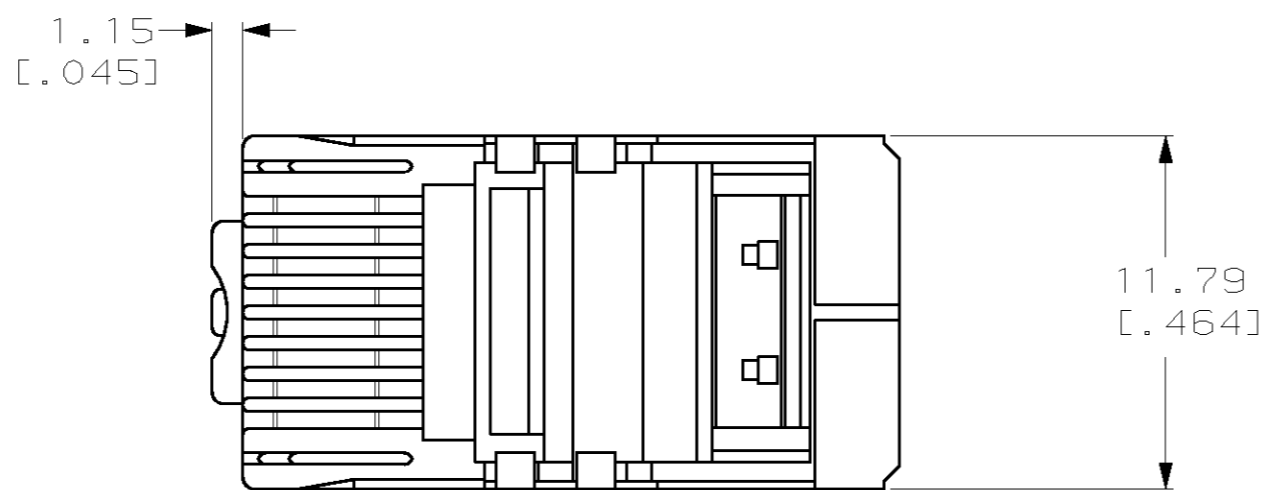
The content and copyrights of the attached  
material are the property of its owner.

Jameco Part Number 524550

THIS DRAWING IS UNPUBLISHED. RELEASED FOR PUBLICATION .19  
 (C) COPYRIGHT 19 BY AMP INCORPORATED. ALL RIGHTS RESERVED.

LOC	DIST	REVISIONS					
AA	22	P	LTR	DESCRIPTION	DATE	DWN	APVD
		B		REVISED PER EC 0515-0123-03	11APR03	DLD	ECL

- 1 DIMENSIONS ARE MAXIMUM UNLESS OTHERWISE SPECIFIED.
- 2 MATERIAL: HOUSING - POLYCARBONATE, CLEAR  
 TERMINAL - PHOSPHOR BRONZE, PLATED WITH 1.27µm [.000050] MINIMUM THICK GOLD IN LOCALIZED GOLD PLATE AREA, GOLD FLASH OVER THE REMAINDER, OVER 2.54µm [.000100] MINIMUM THICK NICKEL UNDERPLATE.  
 SHIELD - COPPER ALLOY WITH 1.27µm [.000050] MINIMUM SEMI-BRIGHT (SATIN) NICKEL.
- 3. PLUG WILL ACCEPT 24 TO 28 AWG STRANDED WIRE, 0.74-0.99 [.029-.039] DIAMETER, WITH A 5.08 [.200] DIAMETER MAXIMUM JACKET.
- 4 TERMINATED DIMENSION 6.15 [.242] MAXIMUM.
- 5 PACKAGED 500 ASSEMBLIES PER CARTON.
- 6 PACKAGED 100 ASSEMBLIES PER BOX.
- 7 PACKAGED 25 ASSEMBLIES PER POLYBAG.
- 8 SEE RESTRICTED CUSTOMER DRAWING 5-569532-5.
- 9 PACKAGED 10,000 ASSEMBLIES PER POLYBAG.



LEAD FREE

8	5-569532-5
7	5-569532-4
6	5-569532-3
5	5-569532-2
9	5-569532-1
PACKAGED	PART NUMBER

THIS DRAWING IS A CONTROLLED DOCUMENT FOR AMP INCORPORATED. IT IS SUBJECT TO CHANGE AND THE CONTROLLING ENGINEERING ORGANIZATION SHOULD BE CONTACTED FOR THE LATEST REVISION.		DWN	G. GARRETT	10-09-95	<b>AMP</b> AMP Incorporated Harrisburg, PA 17105-3608
DIMENSIONS: mm [INCHES]		CHK	C. WHITT	10-30-95	
TOLERANCES UNLESS OTHERWISE SPECIFIED: 0 PLC ±- 1 1 PLC ±- 2 2 PLC ±- 3 3 PLC ±- 4 4 PLC ±- ANGLE ±- FINISH		APVD	E. LAURER	11-6-95	
MATERIAL		NAME	MODULAR PLUG ASSEMBLY, 8 POSITION, SHIELDED, ROUND CABLE, STRANDED WIRE		
PRODUCT SPEC: 108-1163 APPLICATION SPEC: 114-6016		SIZE	A2	CAGE CODE: 00779	DRAWING NO: C-569532
MATERIAL: 2		WEIGHT	-	SCALE: 4:1	SHEET: 1 OF 1
CUSTOMER DRAWING		REV B			