

Distributed by:

JAMECO[®]
ELECTRONICS

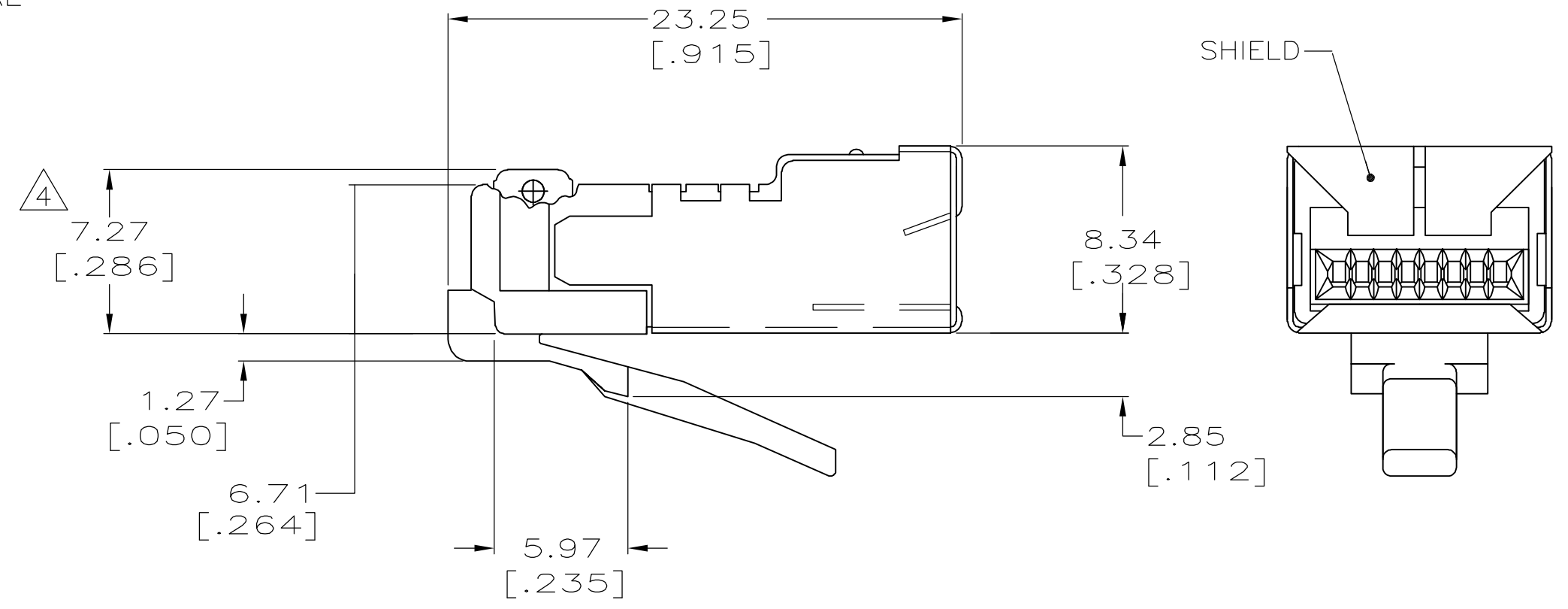
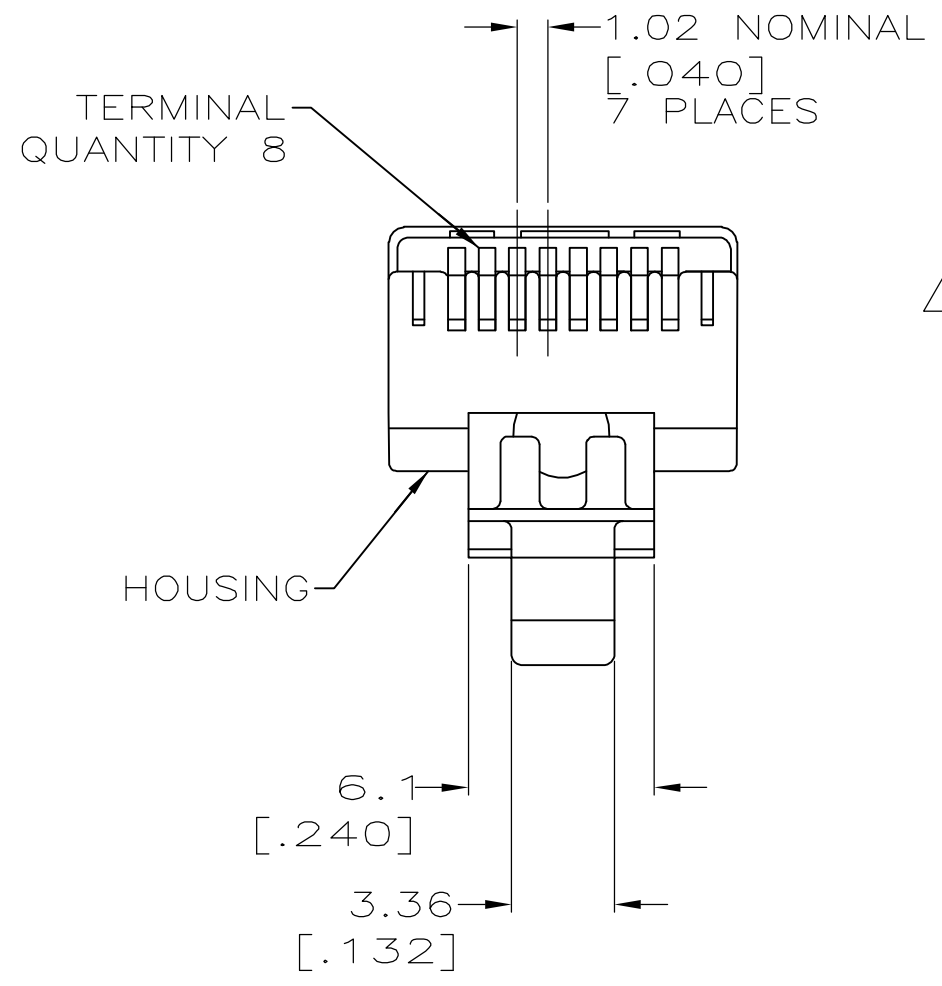
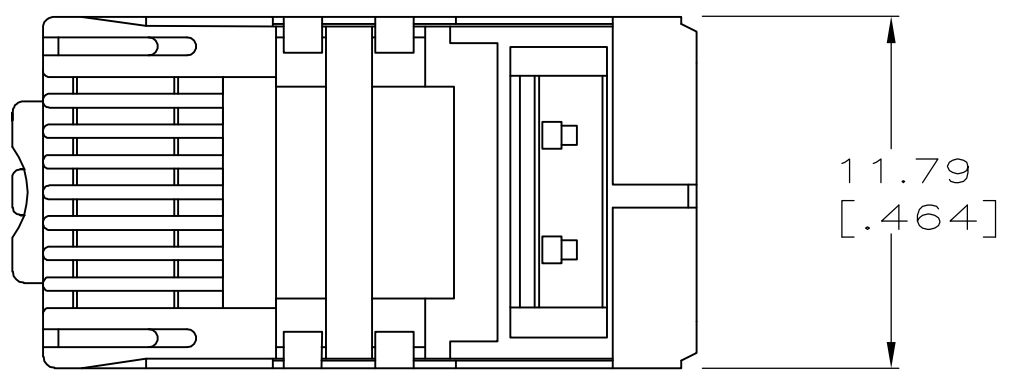
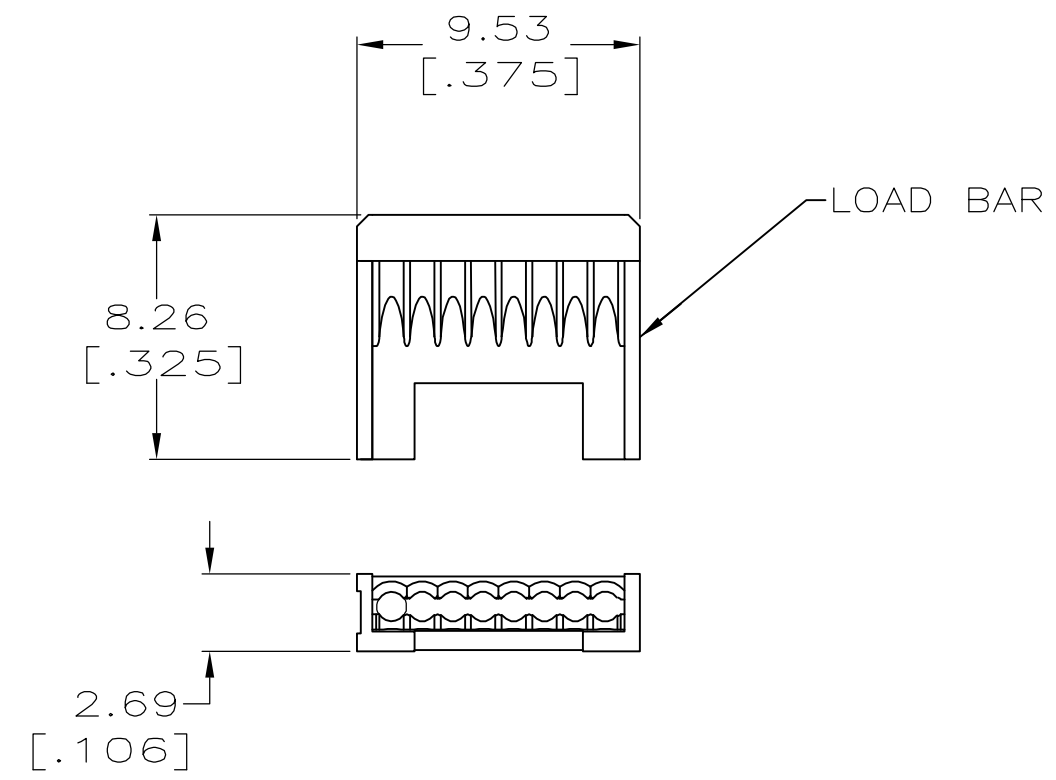
www.Jameco.com ♦ 1-800-831-4242

The content and copyrights of the attached
material are the property of its owner.

Jameco Part Number 753248

THIS DRAWING IS UNPUBLISHED. RELEASED FOR PUBLICATION
 © COPYRIGHT BY TYCO ELECTRONICS CORPORATION. ALL RIGHTS RESERVED.

LOC	DIST	REVISIONS					
AA	22	P	LTR	DESCRIPTION	DATE	DWN	APVD
		B		ECO-05-008509	06SEP2005	JM	MD



- 1. DIMENSIONS ARE MAXIMUM UNLESS OTHERWISE SPECIFIED.
- 2. MATERIAL:
HOUSING - 94V-0 RATED POLYCARBONATE, CLEAR
TERMINAL - PHOSPHOR BRONZ, PLATED WITH 1.27µm [.000050] MINIMUM THICK GOLD IN LOCALIZED GOLD PLATE AREA, GOLD FLASH OVER THE REMAINDER, OVER 2.54µm [.000100] MINIMUM THICK NICKEL UNDERPLATE.
SHIELD - COPPER ALLOY WITH 1.27µm [.000050] MINIMUM SEMI-BRIGHT(SATIN) NICKEL.
LOAD BAR - PBT POLYESTER, BLACK.
- 3. PLUG WILL ACCEPT A 24 OR 26 SOLID CONDUCTOR, PROVIDED THE INSULATED CONDUCTOR DIAMETER IS 0.89[.035] TO 0.99[.039] WITH A SHIELDED, PLIABLE, LOOSE CABLE JACKET OF 4.83[.190] TO 5.21[.205] DIAMETER OR A SHIELDED, RIGID, HARD CABLE JACKET OF 4.83[.190] TO 5.08[.200] DIAMETER.
- 4. TERMINATED DIMENSION 6.15 [.242] MAXIMUM.
- 5. PACKAGED 500 ASSEMBLIES AND 500 LOAD BARS PER CARTON.
- 6. PACKAGED 100 ASSEMBLIES AND 100 LOAD BARS PER BOX.
- 7. PACKAGED 25 ASSEMBLIES AND 25 LOAD BARS PER BAG.
- 8. UL LISTED: FILE NUMBER E81956

LEAD FREE

7	5-569550-4
6	5-569550-3
5	5-569550-2
PACKAGED	PART NUMBER

THIS DRAWING IS A CONTROLLED DOCUMENT.		DWN	10-11-95	Tyco Electronics Corporation	
DIMENSIONS: mm		G. GARRETT		Harrisburg, Pa 17105-3608	
TOLERANCES UNLESS OTHERWISE SPECIFIED:		CHK	10-31-95	NAME	
0 PLC ± -		C. WHITT		MODULAR PLUG ASSEMBLY, 8 POSITION, SHIELDED, ROUND	
1 PLC ± - 1		APVD	11-7-95	CABLE, SOLID WIRE, HIGH PERFORMANCE	
2 PLC ± -		E. LAURER		PRODUCT SPEC	108-1163
3 PLC ± -				APPLICATION SPEC	114-6053
4 PLC ± -				WEIGHT	-
ANGLES ± -				SIZE	A2
FINISH 2				CAGE CODE	00779
				DRAWING NO	C=569550
				RESTRICTED TO	-
				SCALE	4:1
				SHEET	1 OF 1
				REV	B
				CUSTOMER DRAWING	