

Distributed by:

**JAMECO**<sup>®</sup>  
ELECTRONICS

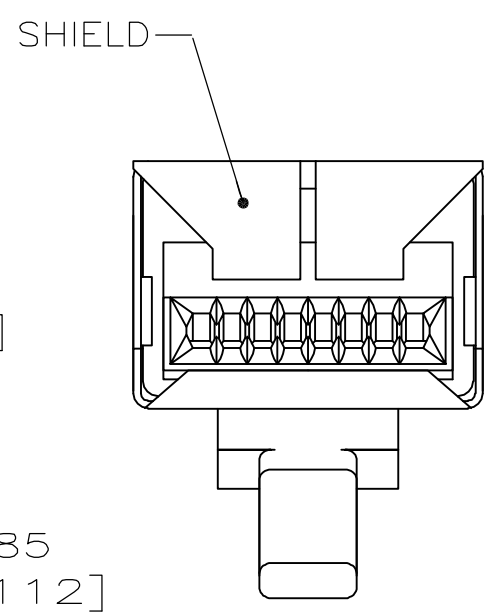
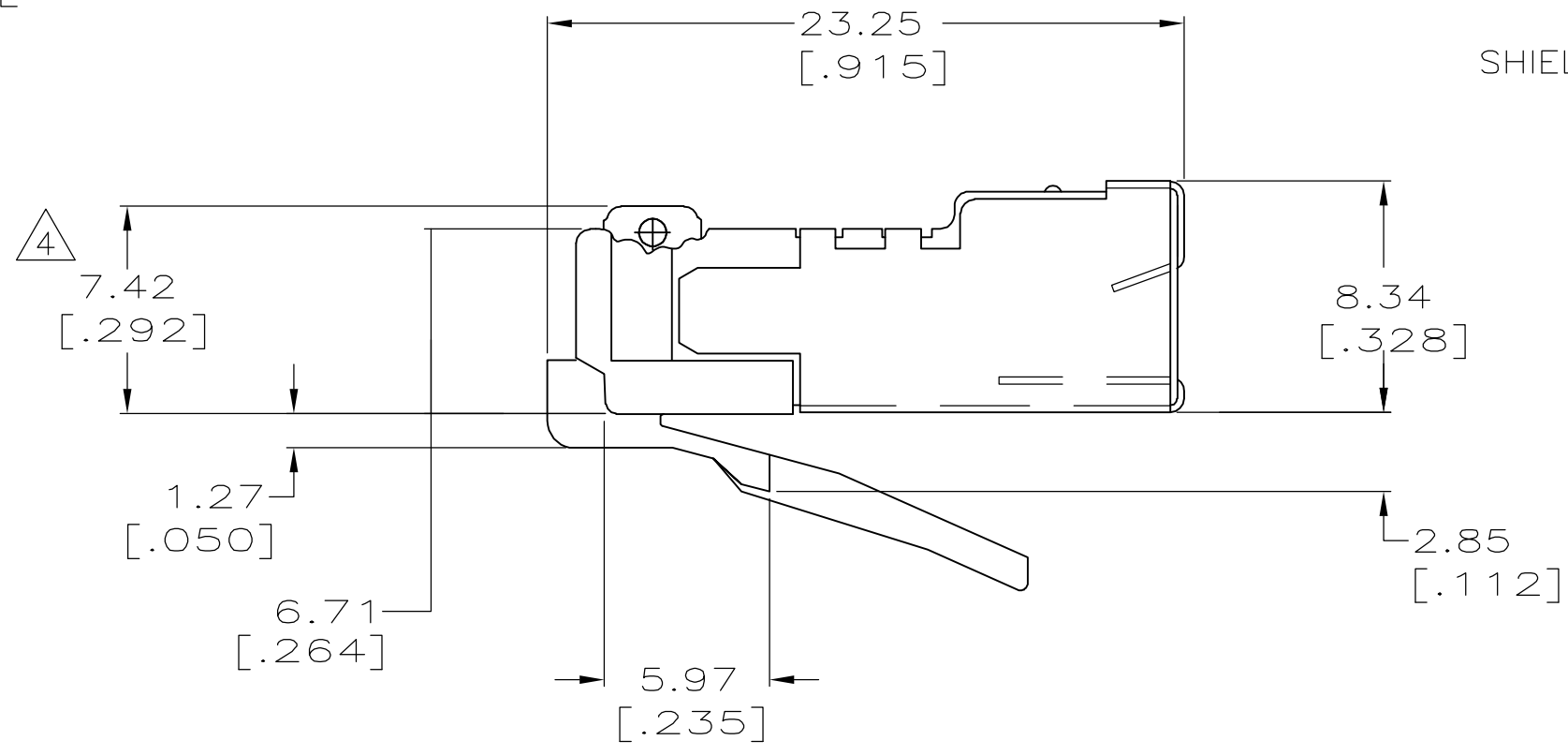
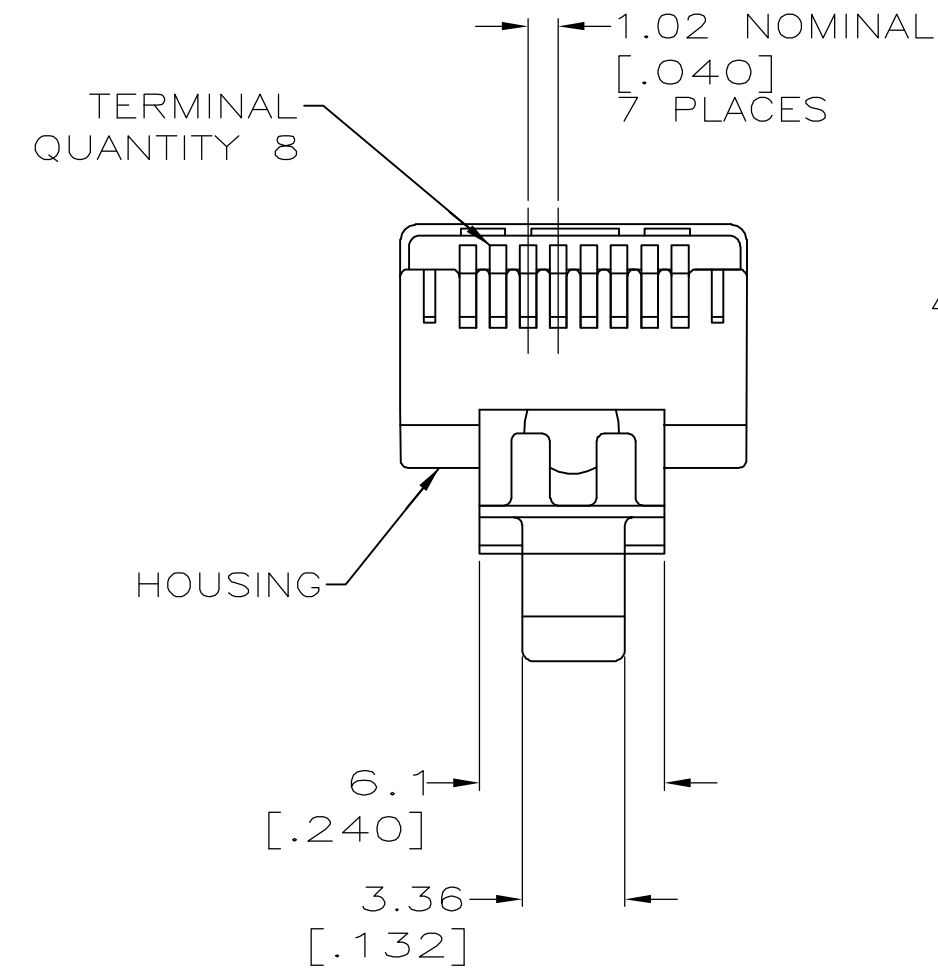
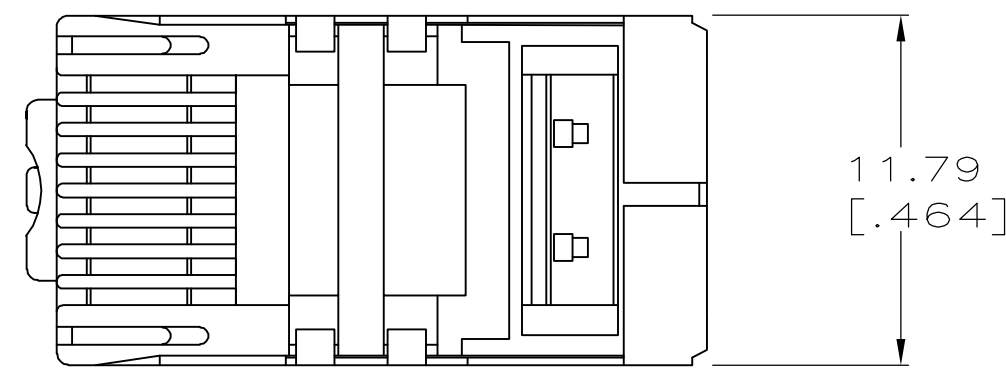
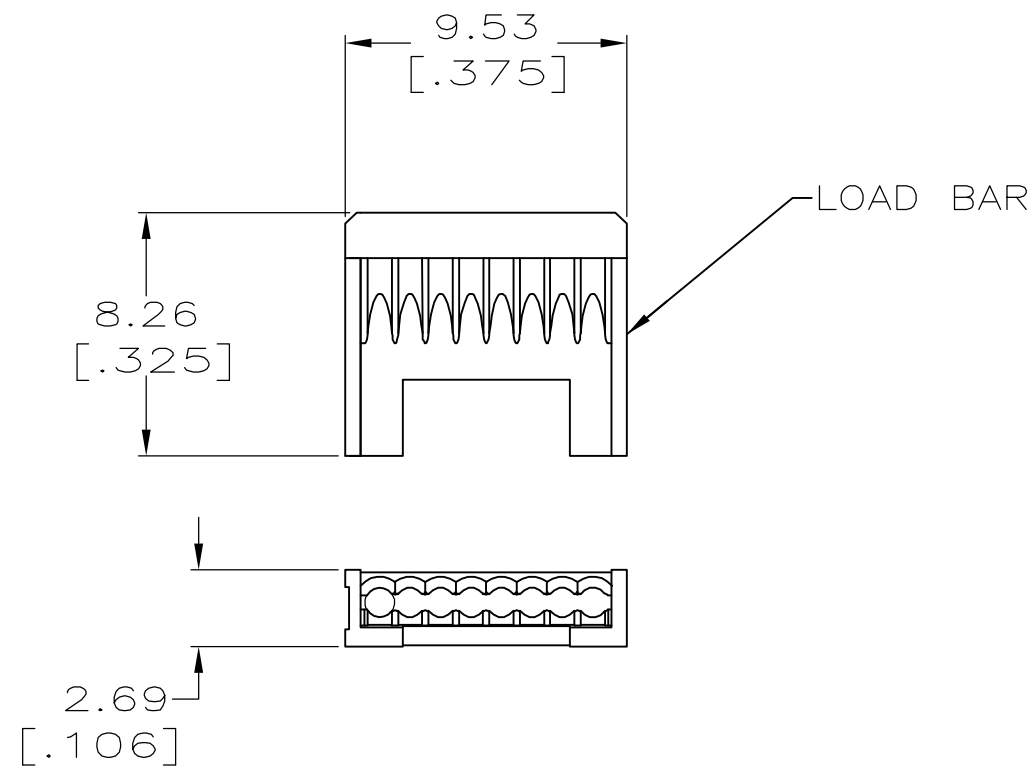
**www.Jameco.com ♦ 1-800-831-4242**

The content and copyrights of the attached  
material are the property of its owner.

Jameco Part Number 850005

THIS DRAWING IS UNPUBLISHED. RELEASED FOR PUBLICATION  
 © COPYRIGHT BY TYCO ELECTRONICS CORPORATION. ALL RIGHTS RESERVED.

| LOC | DIST | REVISIONS |     |               |           |     |      |
|-----|------|-----------|-----|---------------|-----------|-----|------|
| AA  | 22   | P         | LTR | DESCRIPTION   | DATE      | DWN | APVD |
|     |      | B         |     | ECO-05-008509 | 06SEP2005 | JM  | MD   |



- 1 DIMENSIONS ARE MAXIMUM UNLESS OTHERWISE SPECIFIED.
- 2 MATERIAL:  
 HOUSING - 94V-0 RATED POLYCARBONATE, CLEAR  
 TERMINAL - PHOSPHOR BRONZE, PLATED WITH 1.27µm [.000050] MINIMUM THICK GOLD IN LOCALIZED GOLD PLATE AREA, GOLD FLASH OVER THE REMAINDER, OVER 2.54µm [.000100] MINIMUM THICK NICKEL UNDERPLATE.  
 SHIELD - COPPER ALLOY WITH 1.27µm [.000050] MINIMUM SEMI-BRIGHT(SATIN) NICKEL.  
 LOAD BAR - PBT POLYESTER, BLACK.
- 3. PLUG WILL ACCEPT A 24 OR 26 AWG STRANDED CONDUCTOR, PROVIDED THE INSULATED CONDUCTOR DIAMETER IS 0.89[.035] TO 0.99[.039] WITH A SHIELDED, PLIABLE, LOOSE CABLE JACKET OF 4.83[.190] TO 5.21[.205] DIAMETER OR A SHIELDED, RIGID, HARD CABLE JACKET OF 4.83[.190] TO 5.08[.200] DIAMETER.
- 4 TERMINATED DIMENSION 6.15 [.242] MAXIMUM.
- 5 PACKAGED 500 ASSEMBLIES AND 500 LOAD BARS PER CARTON.
- 6 PACKAGED 100 ASSEMBLIES AND 100 LOAD BARS PER BOX.
- 7 PACKAGED 25 ASSEMBLIES AND 25 LOAD BARS PER BAG.
- 8 UL LISTED: FILE NUMBER E81956.

LEAD FREE

|          |             |
|----------|-------------|
| 7        | 5-569552-4  |
| 6        | 5-569552-3  |
| 5        | 5-569552-2  |
| PACKAGED | PART NUMBER |

|  |  |                               |                              |              |
|--|--|-------------------------------|------------------------------|--------------|
| THIS DRAWING IS A CONTROLLED DOCUMENT. |  | DWN<br>G. GARRETT<br>10-12-95 | Tyco Electronics Corporation |              |
| DIMENSIONS:<br>mm                      |  | CHK<br>C. WHITT<br>10-31-95   | Harrisburg, Pa 17105-3608    |              |
| TOLERANCES UNLESS OTHERWISE SPECIFIED: |  | APVD<br>E. LAURER<br>11-7-95  | NAME                         |              |
| 0 PLC ± -                              |  | PRODUCT SPEC                  |                              |              |
| 1 PLC ± - 1                            |  | 108-1163                      |                              |              |
| 2 PLC ± -                              |  | APPLICATION SPEC              |                              |              |
| 3 PLC ± -                              |  | 114-6053                      |                              |              |
| 4 PLC ± -                              |  | WEIGHT                        |                              |              |
| ANGLES ± -                             |  | A2 00779 C=569552             |                              |              |
| FINISH 2                               |  | RESTRICTED TO                 |                              |              |
| MATERIAL 2                             |  | CUSTOMER DRAWING              |                              |              |
|  |  | SCALE 4:1                     |                              | SHEET 1 OF 1 |
|  |  |                               |                              | REV B        |

- 569552