

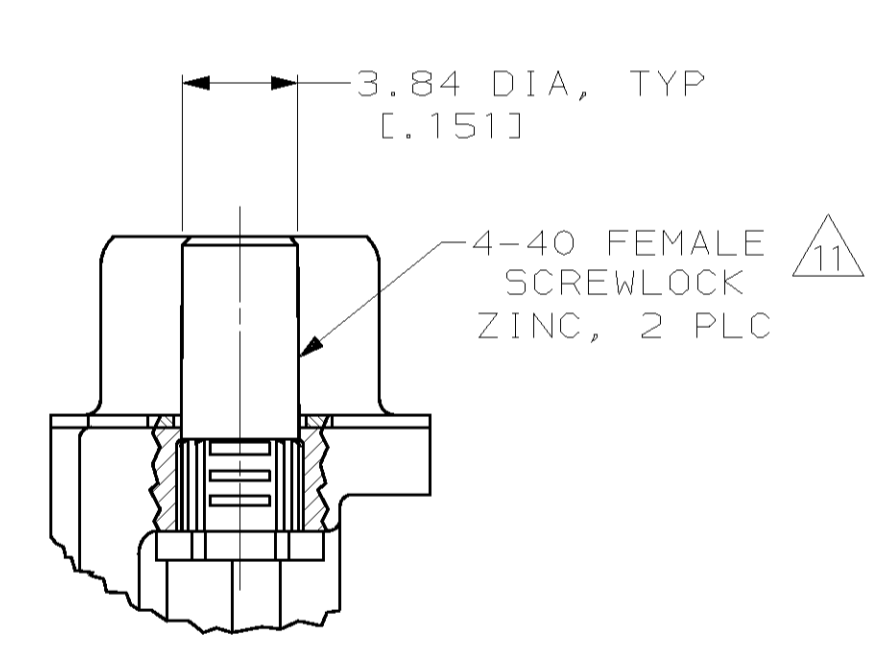
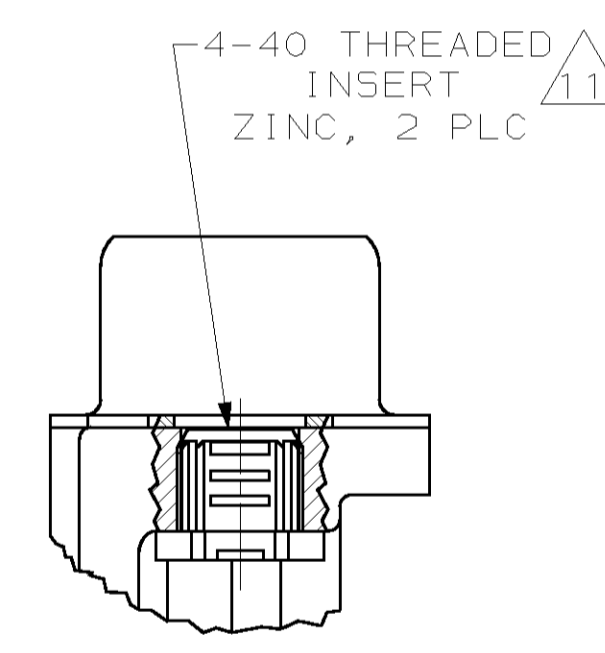
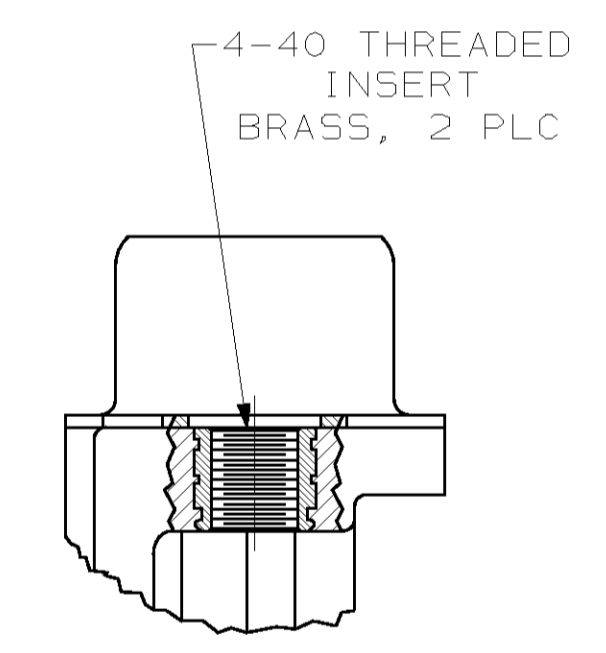
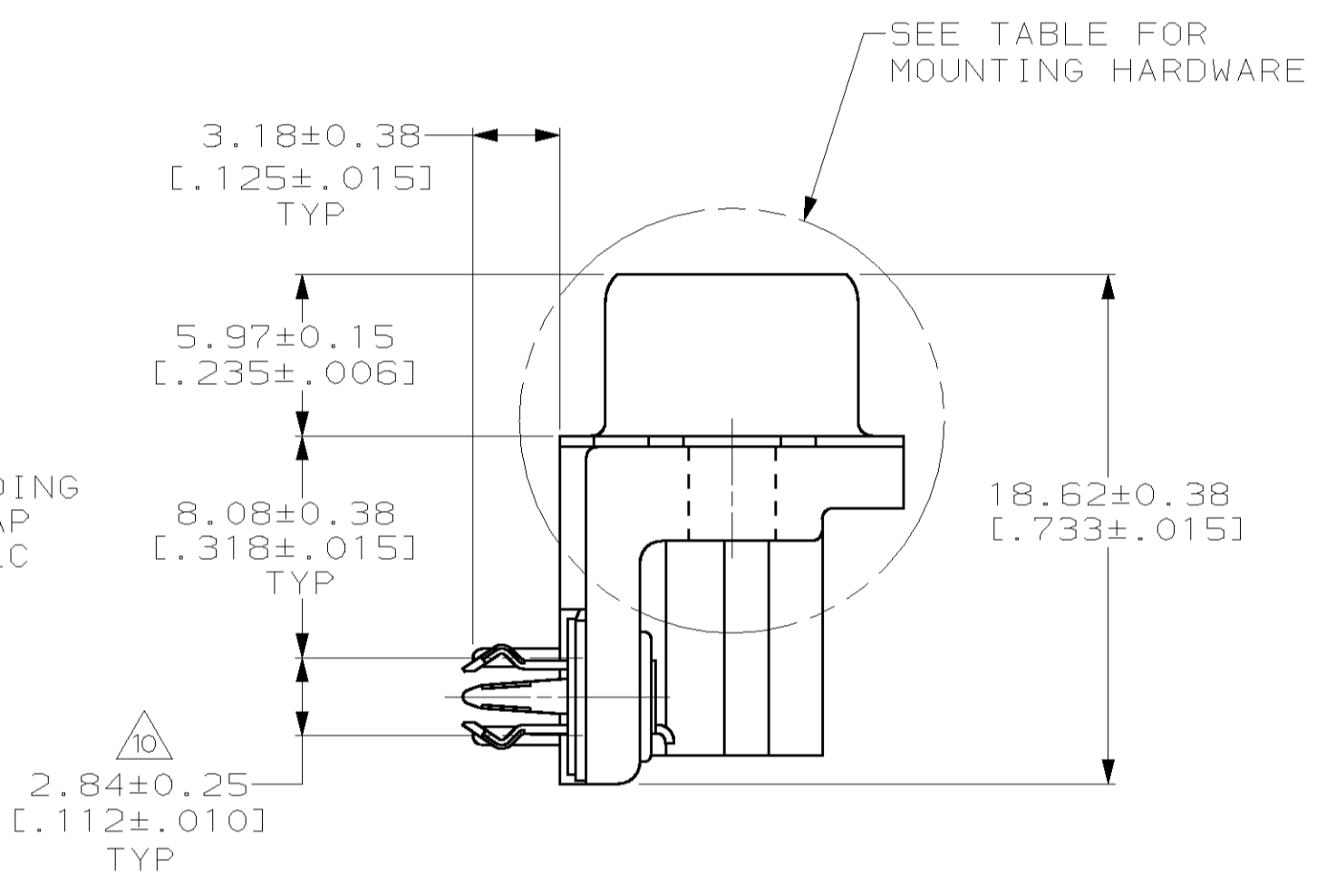
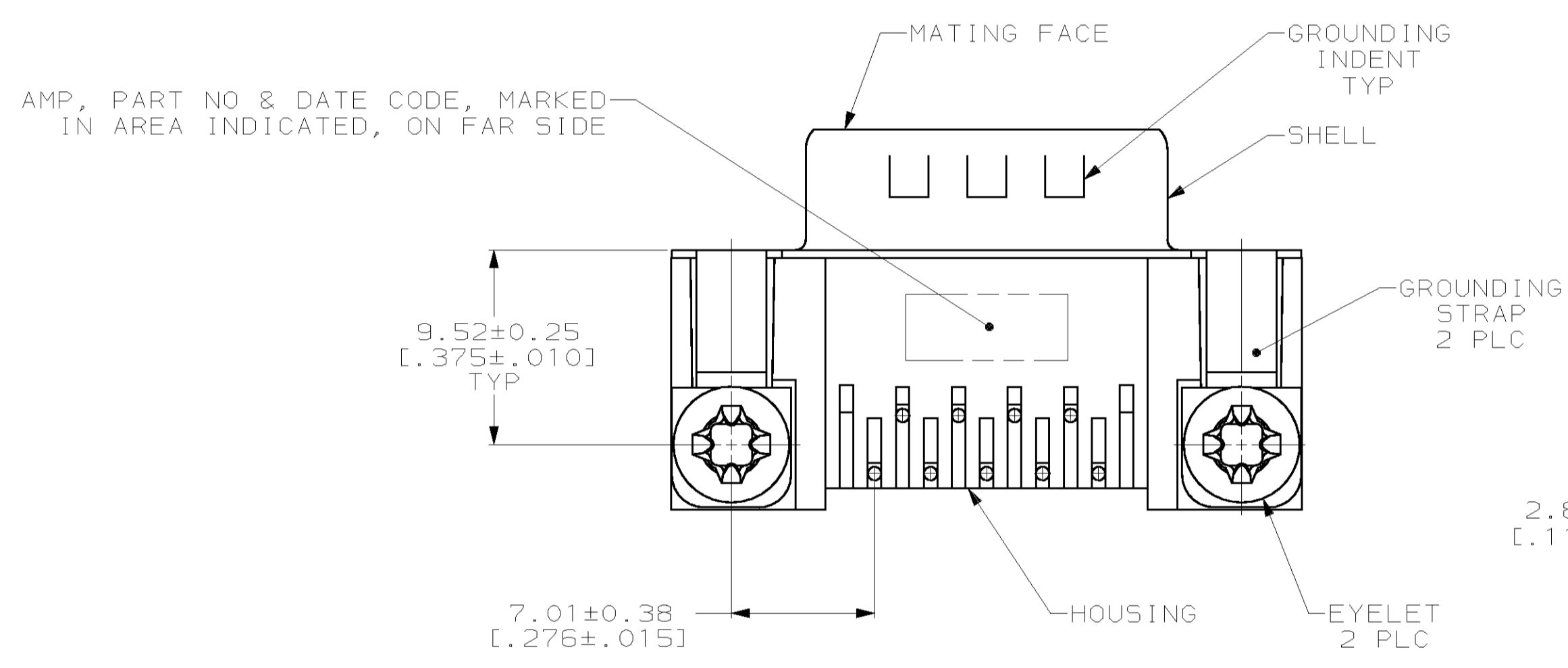
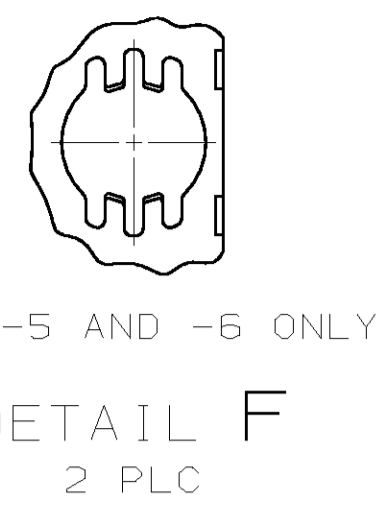
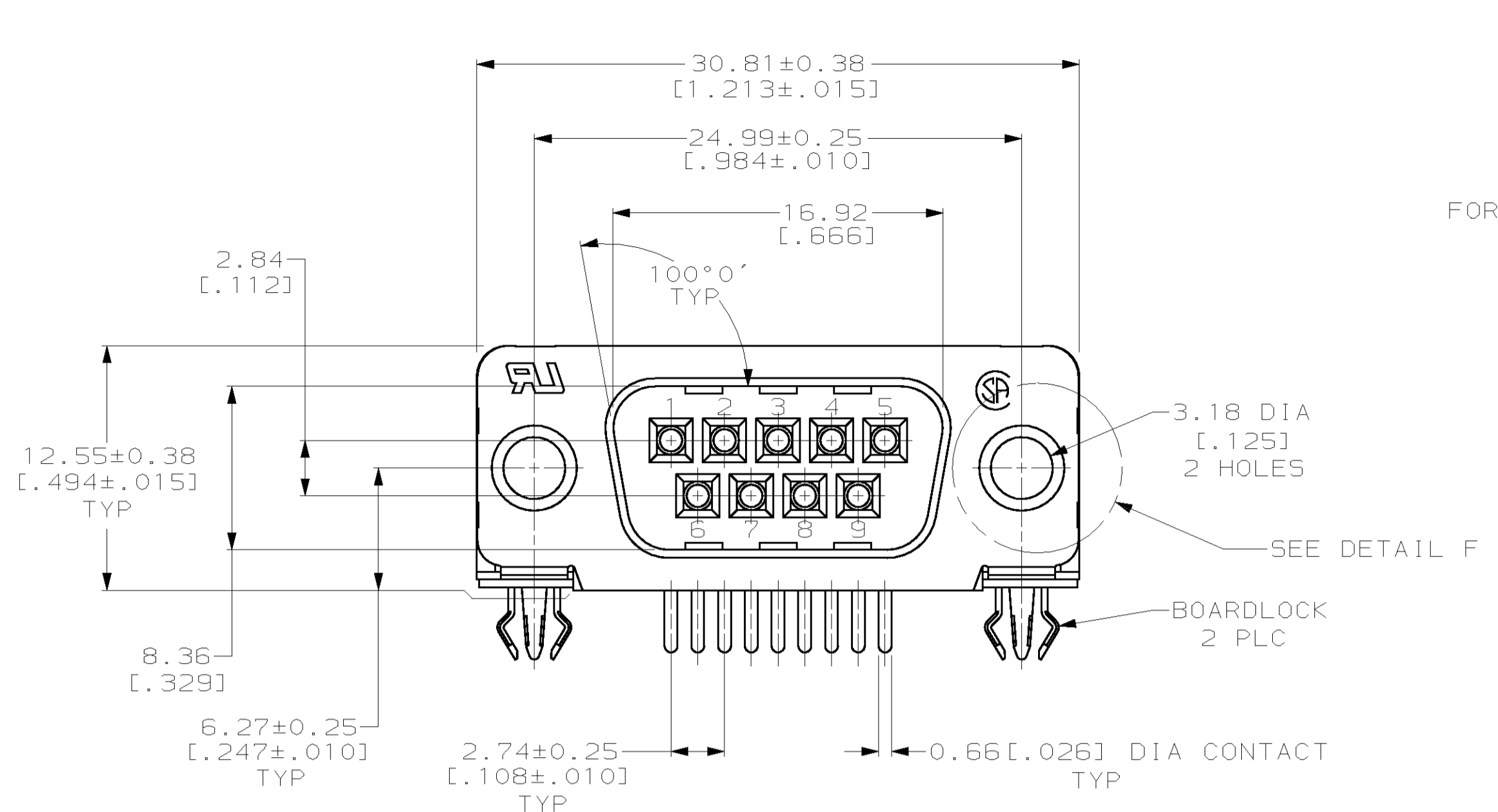
Distributed by:

JAMECO[®]
ELECTRONICS

www.Jameco.com ♦ 1-800-831-4242

The content and copyrights of the attached
material are the property of its owner.

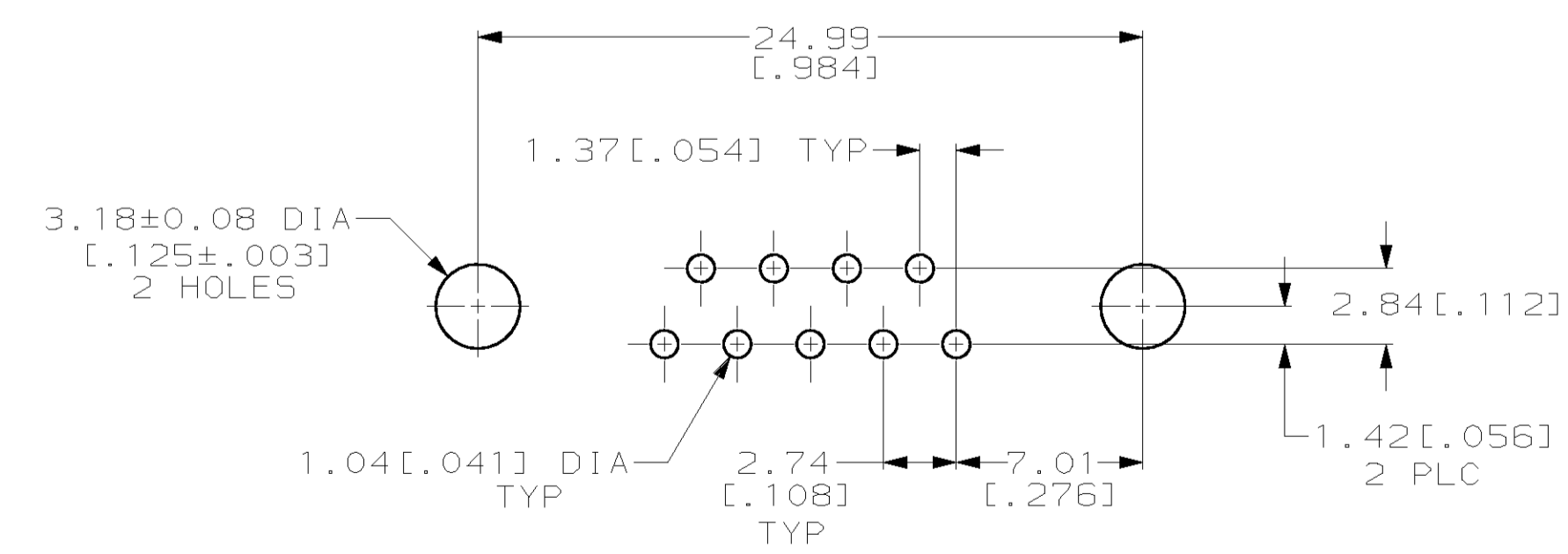
Jameco Part Number 863957



DETAIL C

DETAIL D

DETAIL E



P.C. BOARD MOUNTING DIMENSIONS
P.C. BOARD THICKNESS: 1.57 [0.062]

- 1 NYLON OR POLYESTER, FLAME RETARDANT, UL 94V-0 RATED, GLASS FILLED, BLACK.
- 2 BRASS PER MIL-C-50.
- 3 CARBON STEEL PER ASTM A109.
- 4 EYELETS: BRASS; BOARDLOCKS: COPPER ALLOY.
- 5 GOLD PLATING PER MIL-G-45204; NICKEL PLATING PER QQ-N-290; TIN PLATING PER MIL-T-10727; COPPER PLATING PER MIL-C-14550.
- 6 2.54µm [0.000100] MIN TIN OVER 1.27µm [0.000050] MIN COPPER.
- 7 5.08µm [0.000200] MIN TIN OVER COPPER FLASH.
- 8 GOLD PLATED FOR A LENGTH OF 3.81 [0.150] MIN FROM MATING END, GOLD FLASH IN MATED AREA, 2.54µm [0.000100] MIN TIN OR TIN-LEAD FOR A LENGTH OF 3.56 [0.140] MIN FROM OPPOSITE END, BOTH OVER 1.27µm [0.000050] MIN NICKEL.
- 9 GOLD PLATED FOR A LENGTH OF 3.81 [0.150] MIN FROM MATING END, 0.76µm [0.000030] MIN GOLD IN MATED AREA, 2.54µm [0.000100] MIN TIN OR TIN-LEAD FOR A LENGTH OF 3.56 [0.140] MIN FROM OPPOSITE END, BOTH OVER 1.27µm [0.000050] MIN NICKEL.
- 10 DIMENSION APPLIES FROM CENTER OF CONTACTS.
- 11 CLEAR CHROMATE.
- 12 5.08µm [0.000200] MIN TIN-LEAD OVER 1.27µm [0.000050] MIN NICKEL.
- 13 5.08µm [0.000200] MIN TIN OVER 1.27µm [0.000050] MIN NICKEL.

| PACKAGING | MOUNTING HARDWARE | BOARDLOCK FINISH | CONTACT FINISH | PART NUMBER |
|-------------------|-------------------|------------------|----------------|-------------|
| | | 13 | 9 | 7-747840-1 |
| | | 13 | 8 | 7-747840-0 |
| | | 13 | 9 | 6-747840-9 |
| | | 13 | 8 | 6-747840-8 |
| | | 13 | 9 | 6-747840-7 |
| | | 12 | 9 | 1-747840-2 |
| SUPSD BY 747840-6 | | 12 | 9 | 1-747840-0 |
| SUPSD BY 747840-3 | | 12 | 8 | 747840-9 |
| SUPSD BY 747840-4 | | 12 | 9 | 747840-8 |
| | | 12 | 8 | 747840-7 |
| | | 12 | 9 | 747840-6 |
| | | 12 | 8 | 747840-5 |
| | | 12 | 9 | 747840-4 |
| | | 12 | 8 | 747840-3 |
| | | 12 | 9 | 747840-2 |
| SUPSD BY 747840-2 | | 12 | 8 | 747840-1 |

THIS DRAWING IS A CONTROLLED DOCUMENT. DWN: H.G. LENKER 05 OCT 89. CHK: R. STONE 05 FEB 90. REVISED: M.D. GALLOWAY 06 FEB 90.

AMP AMP Incorporated, Harrisburg, PA 17105-3608

NAME: PLUG ASSEMBLY, SIZE 1, 9 POSITION, RIGHT ANGLE, FRONT METAL SHELL, .318 SERIES, BOARDLOCKS, AMPLIMITE® HD-20

PRODUCT SPEC: 108-40025

APPLICATION SPEC: 114-40010

SIZE: 114-40010

SCALE: 4:1

WEIGHT: -

CUSTOMER DRAWING

RESTRICTED TO: A1 00779 C-747840

SCALE: 4:1 SHEET 1 OF 1 REV U