

Distributed by:

JAMECO[®]
ELECTRONICS

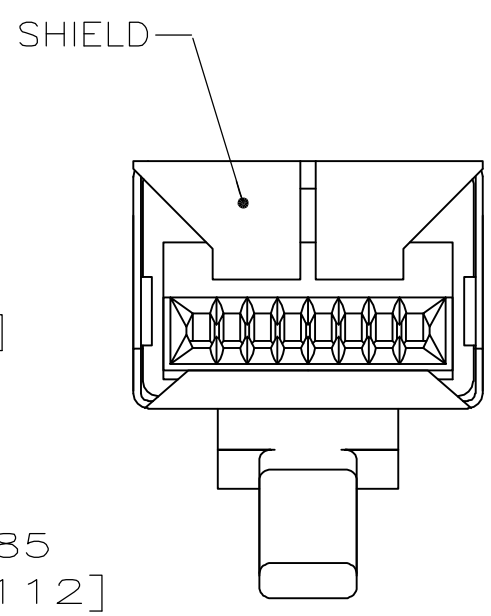
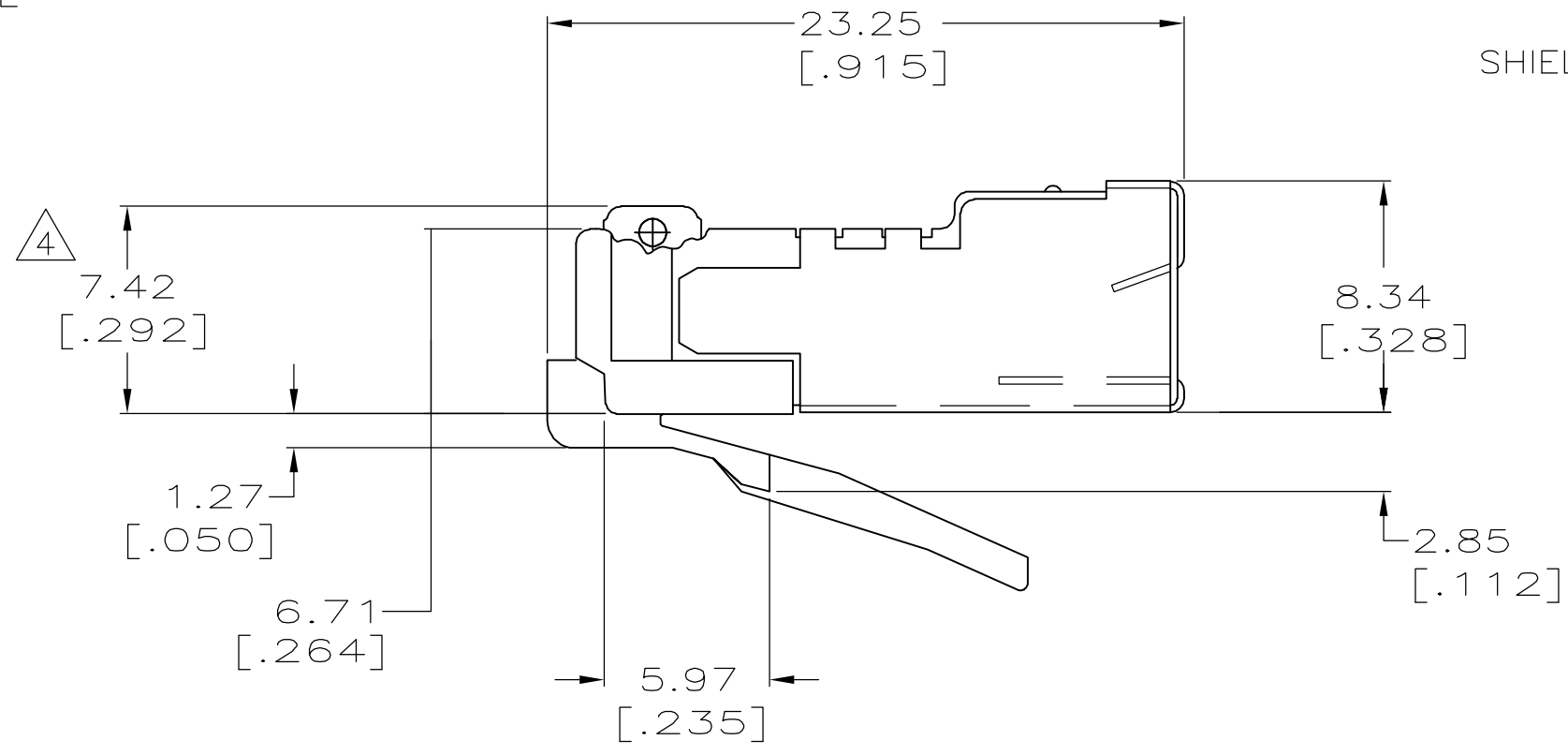
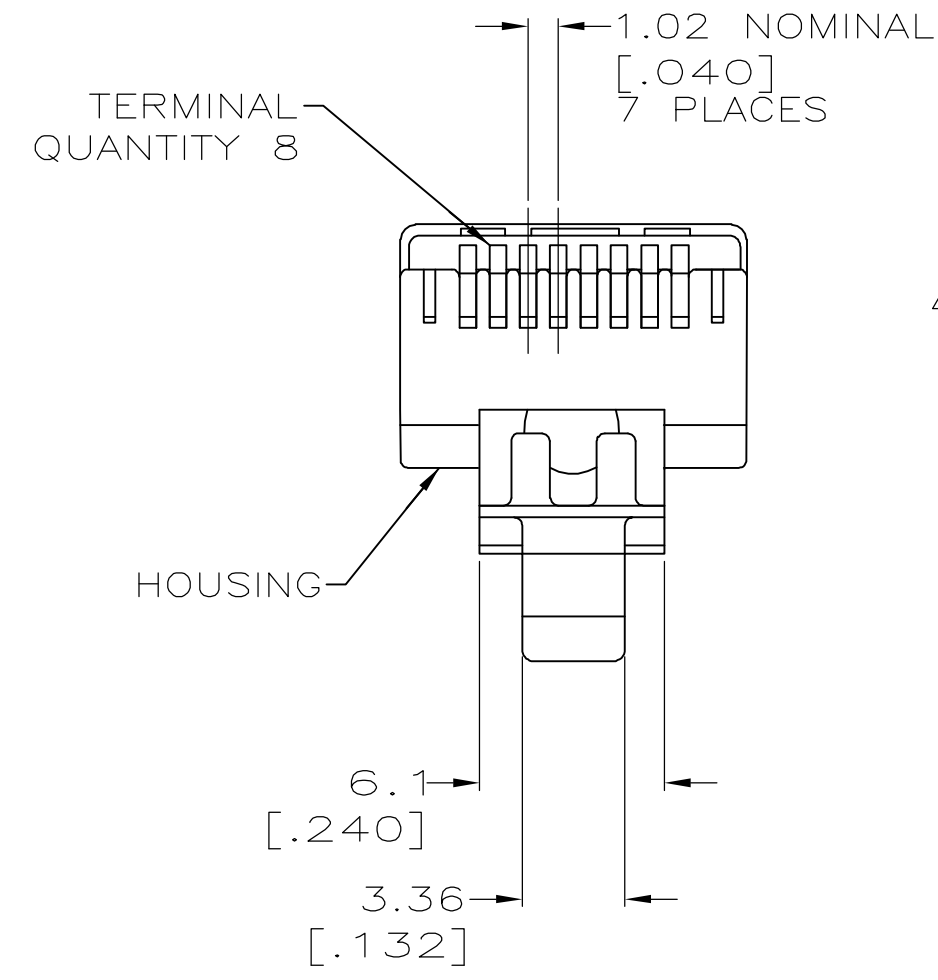
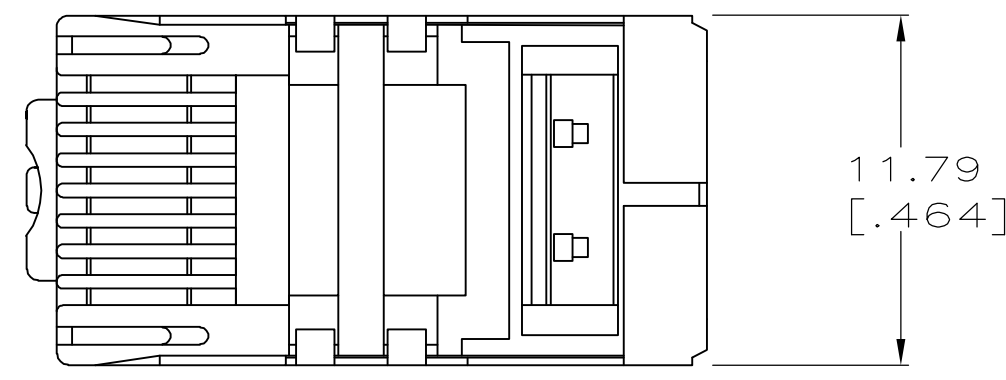
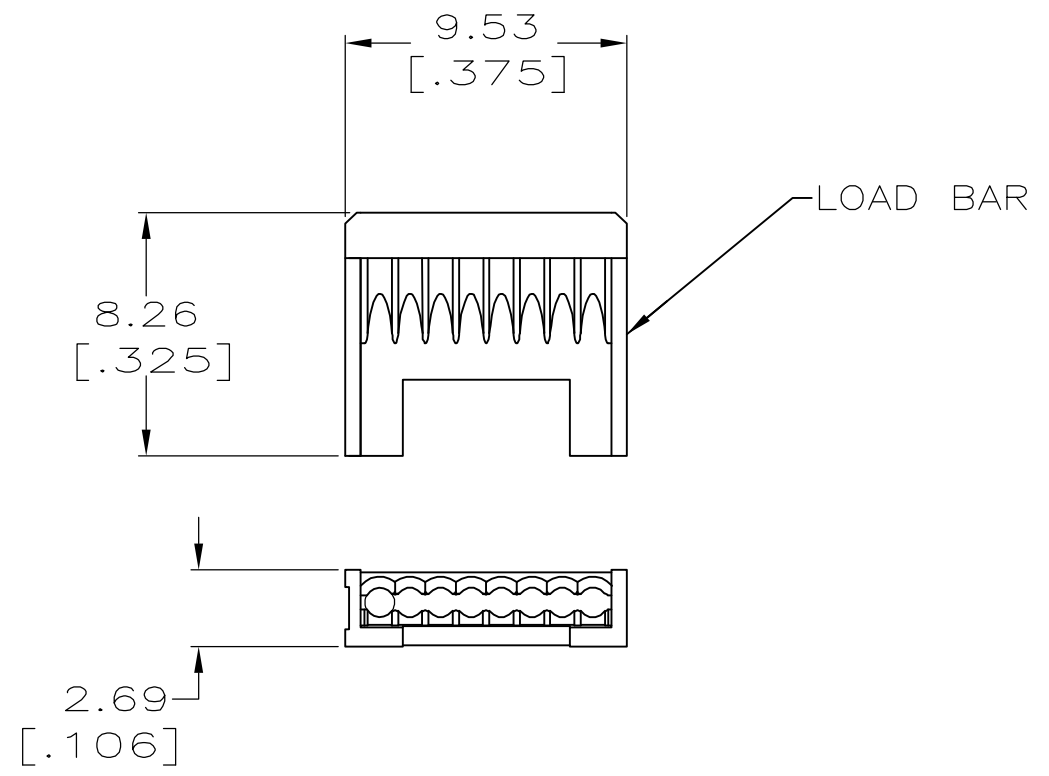
www.Jameco.com ♦ 1-800-831-4242

The content and copyrights of the attached
material are the property of its owner.

Jameco Part Number 849979

THIS DRAWING IS UNPUBLISHED. RELEASED FOR PUBLICATION
 © COPYRIGHT BY TYCO ELECTRONICS CORPORATION. ALL RIGHTS RESERVED.

LOC	DIST	REVISIONS					
AA	22	P	LTR	DESCRIPTION	DATE	DWN	APVD
		B		ECO-05-008509	06SEP2005	JM	MD



- 1 DIMENSIONS ARE MAXIMUM UNLESS OTHERWISE SPECIFIED.
- 2 MATERIAL:
 HOUSING - 94V-0 RATED POLYCARBONATE, CLEAR
 TERMINAL - PHOSPHOR BRONZE, PLATED WITH 1.27µm [.000050] MINIMUM THICK GOLD IN LOCALIZED GOLD PLATE AREA, GOLD FLASH OVER THE REMAINDER, OVER 2.54µm [.000100] MINIMUM THICK NICKEL UNDERPLATE.
 SHIELD - COPPER ALLOY WITH 1.27µm [.000050] MINIMUM SEMI-BRIGHT(SATIN) NICKEL.
 LOAD BAR - PBT POLYESTER, BLACK.
- 3. PLUG WILL ACCEPT A 24 OR 26 AWG STRANDED CONDUCTOR, PROVIDED THE INSULATED CONDUCTOR DIAMETER IS 0.89[.035] TO 0.99[.039] WITH A SHIELDED, PLIABLE, LOOSE CABLE JACKET OF 4.83[.190] TO 5.21[.205] DIAMETER OR A SHIELDED, RIGID, HARD CABLE JACKET OF 4.83[.190] TO 5.08[.200] DIAMETER.
- 4 TERMINATED DIMENSION 6.15 [.242] MAXIMUM.
- 5 PACKAGED 500 ASSEMBLIES AND 500 LOAD BARS PER CARTON.
- 6 PACKAGED 100 ASSEMBLIES AND 100 LOAD BARS PER BOX.
- 7 PACKAGED 25 ASSEMBLIES AND 25 LOAD BARS PER BAG.
- 8 UL LISTED: FILE NUMBER E81956.

LEAD FREE

7	5-569552-4
6	5-569552-3
5	5-569552-2
PACKAGED	PART NUMBER

THIS DRAWING IS A CONTROLLED DOCUMENT.		DWN G. GARRETT 10-12-95	Tyco Electronics Corporation	
DIMENSIONS: mm		CHK C. WHITT 10-31-95	Harrisburg, Pa 17105-3608	
TOLERANCES UNLESS OTHERWISE SPECIFIED:		APVD E. LAURER 11-7-95	NAME	
0 PLC ± -	1 ± -	MODULAR PLUG ASSEMBLY, 8 POSITION, SHIELDED, ROUND CABLE, STRANDED WIRE, HIGH PERFORMANCE		
1 PLC ± -	2 ± -	PRODUCT SPEC 108-1163		
2 PLC ± -	3 ± -	APPLICATION SPEC 114-6053		
3 PLC ± -	4 ± -	SIZE A2	CAGE CODE 00779	DRAWING NO C=569552
4 PLC ± -	ANGLES ± -	RESTRICTED TO		
FINISH	2	SCALE 4:1 SHEET 1 OF 1 REV B		
MATERIAL	2	CUSTOMER DRAWING		

- 569552