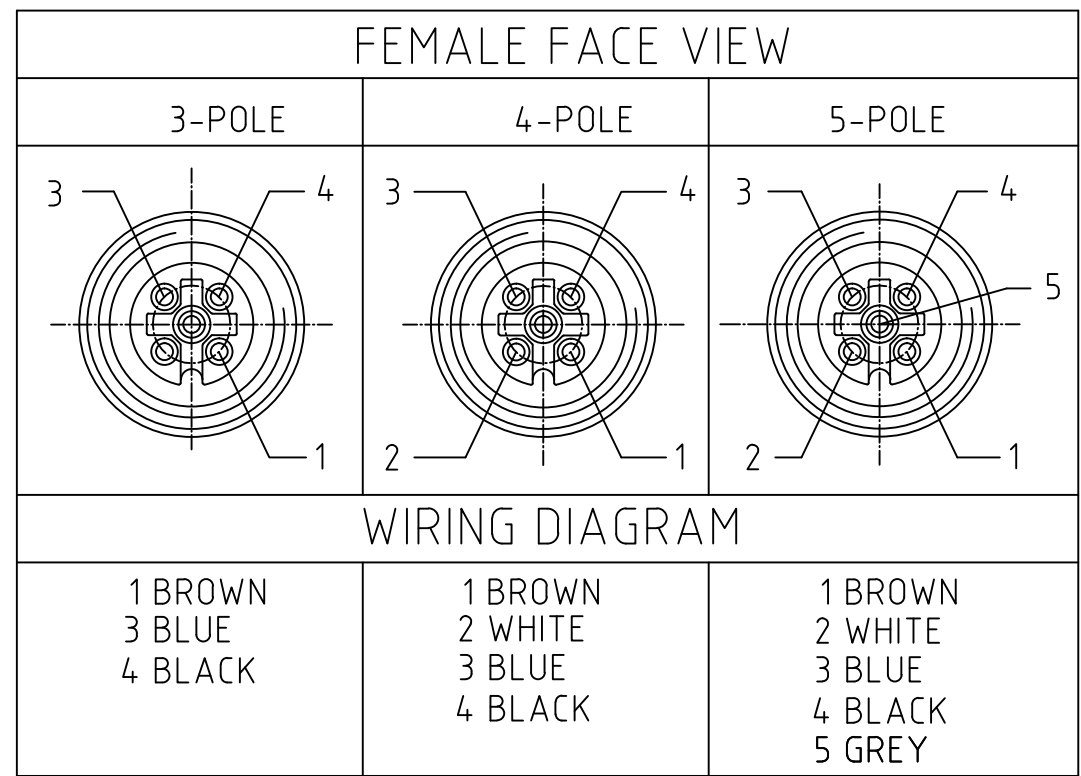


805001A09M020

no poles
3-5 pole

cable type
#22/3-5
PVC YELLOW

020----2 Meters
100----10 Meters



CONNECTOR SPECIFICATION:

VOLTAGE RATING	250 VAC/VDC
AMPERAGE RATING	max. 4 AMPS
PROTECTION	IP67
OPERATING TEMPERATURE	-20°C TO 105°C
UL CERTIFICATIONS	UL RECOGNIZED, FILE NO. E152210
ASSEMBLY	RoHS COMPLIANT

COMPONENT	MATERIAL	FINISH
LABEL	MYLAR	BLACK/YELLOW
O-RING	VITON	RED
COUPLER	BRASS	NICKEL PLATED
PIN CONTACT	COPPER ALLOY	GOLD OVER NICKEL
INSERT	NYLON	BLACK
OVERMOLD	PUR	YELLOW
CABLE- 22/3-5 (COPPER STRANDING) 3/4/5 CONDUCT. 300V	JACKET: PVC	JACKET: YELLOW

MATERIAL NUMBER	ENGINEERING NUMBER	FINISHED LENGTH
1200651444	803001A09M020	6.56' +3.5" -0 [2.0M +89 -0]
1200651551	804001A09M020	6.56' +3.5" -0 [2.0M +89 -0]
1200651697	805001A09M020	6.56' +3.5" -0 [2.0M +89 -0]
1200651567	804001A09M100	32.81' +12.5" -0 [10.0M +318 -0]

UPDATED FOR PART MATRIX EC NO: IPG2014-0988 DRWN: GGUSTAFS 11/26/13 CHKD: TWOLDEGE APPR: BWOODMAN 2010/01/25	QUALITY SYMBOLS ▽ = 0 ◻ = 0	GENERAL TOLERANCES (UNLESS SPECIFIED) mm INCH 4 PLACES ±--- ±--- 3 PLACES ±--- ±.005 2 PLACES ±.13 ±.010 1 PLACE ±.25 ±.020 ANGULAR ± .5 °	DIMENSION STYLE IN/MM DRAWN BY: GGUSTAFS DATE: 2013/11/26 CHECKED BY: DATE: 2010/01/21 APPROVED BY: NSTAUDIG DATE: 2010/01/25 MATERIAL NO. SEE CHART	SCALE: NTS DESIGN UNITS: INCH THIRD ANGLE PROJECTION	MICRO-CHANGE CORDSET 3-5 POLE FEMALE 90D 22/AWG YELLOW PVC CABLE MOLEX INCORPORATED DOCUMENT NO. SD-120065-027 SHEET NO. 1 OF 1
	DRAFT WHERE APPLICABLE MUST REMAIN WITHIN DIMENSIONS	SIZE A3 THIS DRAWING CONTAINS INFORMATION THAT IS PROPRIETARY TO MOLEX INCORPORATED AND SHOULD NOT BE USED WITHOUT WRITTEN PERMISSION			

