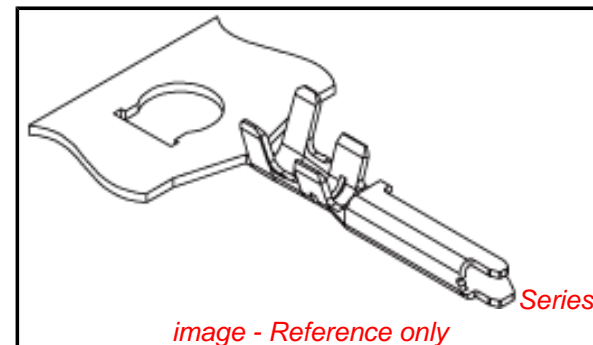


**PLEASE CHECK WWW.MOLEX.COM FOR LATEST PART INFORMATION**

**Part Number:** **502438-0100**  
**Status:** **Active**  
**Overview:** CLIK-Mate™ Wire-to-Board Connectors  
**Description:** 2.00mm Pitch CLIK-Mate™ Wire-to-Board Crimp Terminal, Loose

**Documents:**

|   |   |
|---|---|
| <a href="#">3D Model</a>                                      | <a href="#">Application Specification AS-502439-002 (PDF)</a> |
| <a href="#">Drawing (PDF)</a>                                 | <a href="#">Packaging Specification SPK-502438-001 (PDF)</a>  |
| <a href="#">Application Specification AS-502439-001 (PDF)</a> | <a href="#">RoHS Certificate of Compliance (PDF)</a>          |



**General**

|                         |   |
|-------------------------|---|
| Product Family          | Crimp Terminals                                     |
| Series                  | 502438  |
| Application             | Signal  |
| Crimp Quality Equipment | Yes   |
| MolexKits               | Yes   |
| Overview                | <a href="#">CLIK-Mate™ Wire-to-Board Connectors</a> |
| Packaging Alternative   | 502438-0000 (Reel)                                  |
| Product Name            | CLIK-Mate™  |
| UPC                     | 800756665917  |

**Physical**

|                                |              |
|--------------------------------|--------------|
| Durability (mating cycles max) | 30           |
| Gender                         | Plug         |
| Material - Metal               | Copper Alloy |
| Material - Plating Mating      | Tin          |
| Material - Plating Termination | Tin          |
| Net Weight                     | 41.500/mg    |
| Packaging Type                 | Bag          |
| Wire Insulation Diameter       | 0.90-1.5mm   |
| Wire Size AWG                  | 22, 24, 26   |
| Wire Size mm <sup>2</sup>      | N/A          |

**Electrical**

|                               |                  |
|-------------------------------|------------------|
| Current - Maximum per Contact | 3.0A             |
| Voltage - Maximum             | 250V AC (RMS)/DC |

**Material Info**

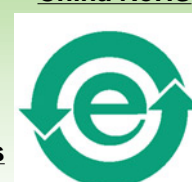
**Reference - Drawing Numbers**

|                           |  |
|---------------------------|--|
| Application Specification | AS-502439-001, AS-502439-002                                   |
| Packaging Specification   | SPK-502438-001   |
| Product Specification     | RPS-502443-001, RPS-502443-004, RPS-502443-008, RPS-502443-012 |
| Sales Drawing             | SD-502438-001  |

**EU RoHS**

**ELV and RoHS Compliant**  
**REACH SVHC Contains SVHC: No**  
**Low-Halogen Status Low-Halogen**

**China RoHS**



**Need more information on product environmental compliance?**

Email [productcompliance@molex.com](mailto:productcompliance@molex.com)  
 For a multiple part number RoHS Certificate of Compliance, [click here](#)

Please visit the [Contact Us](#) section for any non-product compliance questions.

**Search Parts in this Series**

502438Series

**Mates With**

502443 PCB Receptacle, 502494 PCB Receptacle

**Use With**

502439 Crimp Housing

**Application Tooling | FAQ**

*Tooling specifications and manuals are found by selecting the products below. Crimp Height Specifications are then contained in the Application Tooling Specification document.*

**Global**

| Description  | Product #                  |
|--|----------------------------|
| Extraction Tool  | <a href="#">0638132700</a> |
| Hand Crimp Tool for 2.00mm Pitch Wire-to-Board Crimp Terminals, 22-26 AWG Wire | <a href="#">0638192800</a> |

This document was generated on 04/17/2015

**PLEASE CHECK [WWW.MOLEX.COM](http://WWW.MOLEX.COM) FOR LATEST PART INFORMATION**