

# **TMS320C6655/57**

## ***Fixed and Floating-Point Digital Signal Processor***

### **Data Manual**



PRODUCTION DATA information is current as of publication date. Products conform to specifications per the terms of Texas Instruments standard warranty. Production processing does not necessarily include testing of all parameters.

Literature Number: SPRS814A  
August 2012

---

## Release History

---

Revision	Date	Description/Comments
SPRS841A	August 2012	<ul style="list-style-type: none"><li>• Updated Tracer descriptions across the data manual</li><li>• Updated McBSP Timing Requirements table</li><li>• Updated Thermal Characteristics data</li><li>• Added footnote for DDR3 EMIF data in memory map summary table</li><li>• Added CVDD and SmartReflex voltage parameter in SmartReflex switching table</li><li>• Removed DDR3 PLL initialization sequence from data manual to PLL controller user guide</li></ul>
SPRS841	March 2012	<ul style="list-style-type: none"><li>• Initial release</li></ul>

For detailed revision information, see [“Revision History”](#) on page A-227.

# Contents

1	Features .....	13
1.1	KeyStone Architecture .....	14
1.2	Device Description .....	14
1.3	Functional Block Diagram .....	16
2	Device Overview .....	17
2.1	Device Characteristics .....	17
2.2	DSP Core Description .....	18
2.3	Memory Map Summary .....	21
2.4	Boot Sequence .....	25
2.5	Boot Modes Supported and PLL Settings .....	25
2.5.1	Boot Device Field .....	26
2.5.2	Device Configuration Field .....	26
2.5.3	PLL Boot Configuration Settings .....	33
2.6	Second-Level Bootloaders .....	33
2.7	Terminals .....	34
2.7.1	Package Terminals .....	34
2.7.2	Pin Map .....	34
2.8	Terminal Functions .....	39
2.9	Development and Support .....	63
2.9.1	Development Support .....	63
2.9.2	Device Support .....	63
2.10	Related Documentation from Texas Instruments .....	65
3	Device Configuration .....	66
3.1	Device Configuration at Device Reset .....	66
3.2	Peripheral Selection After Device Reset .....	67
3.3	Device State Control Registers .....	67
3.3.1	Device Status Register .....	70
3.3.2	Device Configuration Register .....	71
3.3.3	JTAG ID (JTAGID) Register Description .....	72
3.3.4	Kicker Mechanism (KICK0 and KICK1) Register .....	72
3.3.5	LRESETNMI PIN Status (LRSTNMIPINSTAT) Register .....	72
3.3.6	LRESETNMI PIN Status Clear (LRSTNMIPINSTAT_CLR) Register .....	73
3.3.7	Reset Status (RESET_STAT) Register .....	74
3.3.8	Reset Status Clear (RESET_STAT_CLR) Register .....	75
3.3.9	Boot Complete (BOOTCOMPLETE) Register .....	75
3.3.10	Power State Control (PWRSTATECTL) Register .....	76
3.3.11	NMI Event Generation to CorePac (NMIGRx) Register .....	76
3.3.12	IPC Generation (IPCGRx) Registers .....	77
3.3.13	IPC Acknowledgement (IPCARx) Registers .....	78
3.3.14	IPC Generation Host (IPCGRH) Register .....	78
3.3.15	IPC Acknowledgement Host (IPCARH) Register .....	79
3.3.16	Timer Input Selection Register (TINPSEL) .....	80
3.3.17	Timer Output Selection Register (TOUTPSEL) .....	82
3.3.18	Reset Mux (RSTMUXx) Register .....	83
3.3.19	Device Speed (DEVSPEED) Register .....	84
3.3.20	Pin Control 0 (PIN_CONTROL_0) Register .....	84
3.3.21	Pin Control 1 (PIN_CONTROL_1) Register .....	86
3.3.22	uPP Clock Source (UPP_CLOCK) Register .....	86
3.4	Pullup/Pulldown Resistors .....	87
4	System Interconnect .....	88
4.1	Internal Buses and Switch Fabrics .....	88
4.2	Switch Fabric Connections Matrix .....	89
4.3	TeraNet Switch Fabric Connections .....	91
4.4	Bus Priorities .....	95
4.4.1	Packet DMA Priority Allocation (PKTDMA_PRI_ALLOC) Register .....	95
4.4.2	EMAC / uPP Priority Allocation (EMAC_UPP_PRI_ALLOC) Register .....	96

5	C66x CorePac .....	97
5.1	Memory Architecture .....	98
5.1.1	L1P Memory .....	98
5.1.2	L1D Memory .....	99
5.1.3	L2 Memory .....	99
5.1.4	MSM SRAM .....	101
5.1.5	L3 Memory .....	101
5.2	Memory Protection .....	101
5.3	Bandwidth Management .....	102
5.4	Power-Down Control .....	102
5.5	C66x CorePac Revision .....	103
5.6	C66x CorePac Register Descriptions .....	103
6	Device Operating Conditions .....	104
6.1	Absolute Maximum Ratings .....	104
6.2	Recommended Operating Conditions .....	105
6.3	Electrical Characteristics .....	106
6.4	Power Supply to Peripheral I/O Mapping .....	107
7	Peripheral Information and Electrical Specifications .....	108
7.1	Recommended Clock and Control Signal Transition Behavior .....	108
7.2	Power Supplies .....	108
7.2.1	Power-Supply Sequencing .....	109
7.2.2	Power-Down Sequence .....	114
7.2.3	Power Supply Decoupling and Bulk Capacitors .....	114
7.2.4	SmartReflex .....	114
7.3	Power Sleep Controller (PSC) .....	116
7.3.1	Power Domains .....	116
7.3.2	Clock Domains .....	117
7.3.3	PSC Register Memory Map .....	118
7.4	Reset Controller .....	120
7.4.1	Power-on Reset .....	121
7.4.2	Hard Reset .....	122
7.4.3	Soft Reset .....	123
7.4.4	Local Reset .....	124
7.4.5	Reset Priority .....	124
7.4.6	Reset Controller Register .....	125
7.4.7	Reset Electrical Data / Timing .....	125
7.5	Main PLL and PLL Controller .....	127
7.5.1	Main PLL Controller Device-Specific Information .....	128
7.5.2	PLL Controller Memory Map .....	130
7.5.3	Main PLL Control Register .....	136
7.5.4	Main PLL and PLL Controller Initialization Sequence .....	137
7.5.5	Main PLL Controller/SRIO/HyperLink/PCIe Clock Input Electrical Data/Timing .....	138
7.6	DDR3 PLL .....	140
7.6.1	DDR3 PLL Control Register .....	140
7.6.2	DDR3 PLL Device-Specific Information .....	141
7.6.3	DDR3 PLL Initialization Sequence .....	141
7.6.4	DDR3 PLL Input Clock Electrical Data/Timing .....	142
7.7	Enhanced Direct Memory Access (EDMA3) Controller .....	143
7.7.1	EDMA3 Device-Specific Information .....	144
7.7.2	EDMA3 Channel Controller Configuration .....	144
7.7.3	EDMA3 Transfer Controller Configuration .....	144
7.7.4	EDMA3 Channel Synchronization Events .....	145
7.8	Interrupts .....	147
7.8.1	Interrupt Sources and Interrupt Controller .....	147
7.8.2	CIC Registers .....	162
7.8.3	Inter-Processor Register Map .....	168
7.8.4	NMI and $\overline{\text{LRESET}}$ .....	169
7.8.5	External Interrupts Electrical Data/Timing .....	169

7.9	Memory Protection Unit (MPU)	171
7.9.1	MPU Registers	174
7.9.2	MPU Programmable Range Registers	181
7.10	DDR3 Memory Controller	186
7.10.1	DDR3 Memory Controller Device-Specific Information	186
7.10.2	DDR3 Memory Controller Electrical Data/Timing	187
7.11	I <sup>2</sup> C Peripheral	187
7.11.1	I <sup>2</sup> C Device-Specific Information	187
7.11.2	I <sup>2</sup> C Peripheral Register Description(s)	188
7.11.3	I <sup>2</sup> C Electrical Data/Timing	189
7.12	SPI Peripheral	192
7.12.1	SPI Electrical Data/Timing	192
7.13	HyperLink Peripheral	195
7.13.1	HyperLink Device-Specific Interrupt Event	195
7.13.2	HyperLink Electrical Data/Timing	197
7.14	UART Peripheral	199
7.15	PCIe Peripheral	200
7.16	EMIF16 Peripheral	201
7.16.1	EMIF16 Electrical Data/Timing	201
7.17	Ethernet Media Access Controller (EMAC)	204
7.17.1	EMAC Device-Specific Information	204
7.17.2	EMAC Peripheral Register Description(s)	205
7.17.3	EMAC Electrical Data/Timing (SGMII)	209
7.18	Management Data Input/Output (MDIO)	210
7.18.1	MDIO Peripheral Registers	210
7.18.2	MDIO Timing	211
7.19	Timers	212
7.19.1	Timers Device-Specific Information	212
7.19.2	Timers Electrical Data/Timing	213
7.20	General-Purpose Input/Output (GPIO)	214
7.20.1	GPIO Device-Specific Information	214
7.20.2	GPIO Electrical Data/Timing	214
7.21	Semaphore2	214
7.22	Multichannel Buffered Serial Port (McBSP)	215
7.22.1	McBSP Peripheral Register	215
7.22.2	McBSP Electrical Data/Timing	216
7.23	Universal Parallel Port (uPP)	219
7.23.1	uPP Register Descriptions	219
7.24	Serial RapidIO (SRIO) Port	222
7.25	Turbo Decoder Coprocessor (TCP3d)	222
7.26	Enhanced Viterbi-Decoder Coprocessor (VCP2)	223
7.27	Emulation Features and Capability	224
7.27.1	Advanced Event Triggering (AET)	224
7.27.2	Trace	224
7.27.3	IEEE 1149.1 JTAG	225
A	Revision History	227
B	Mechanical Data	228
B.1	Thermal Data	228
B.2	Packaging Information	228

## List of Figures

Figure 1-1	Functional Block Diagram .....	16
Figure 2-1	DSP Core Data Paths.....	20
Figure 2-2	Boot Mode Pin Decoding .....	26
Figure 2-3	EMIF16 / UART / No Boot Configuration Fields .....	26
Figure 2-4	No Boot Configuration Fields .....	27
Figure 2-5	UART Boot Configuration Fields.....	27
Figure 2-6	EMIF16 Boot Configuration Fields .....	28
Figure 2-7	Serial Rapid I/O Device Configuration Fields .....	28
Figure 2-8	Ethernet (SGMII) Device Configuration Fields .....	29
Figure 2-9	NAND Device Configuration Fields .....	29
Figure 2-10	PCI Device Configuration Fields .....	29
Figure 2-11	I <sup>2</sup> C Master Mode Device Configuration Bit Fields .....	30
Figure 2-12	I <sup>2</sup> C Passive Mode Device Configuration Bit Fields .....	31
Figure 2-13	SPI Device Configuration Bit Fields .....	31
Figure 2-14	HyperLink Boot Device Configuration Fields.....	32
Figure 2-15	CZH/GZH 625-Pin BGA Package (Bottom View) .....	34
Figure 2-16	Pin Map Quadrants (Bottom View) .....	34
Figure 2-17	Upper Left Quadrant—A (Bottom View) .....	35
Figure 2-18	Upper Right Quadrant—B (Bottom View) .....	36
Figure 2-19	Lower Right Quadrant—C (Bottom View) .....	37
Figure 2-20	Lower Left Quadrant—D (Bottom View) .....	38
Figure 2-21	C66x DSP Device Nomenclature (including the TMS320C6655/57) .....	64
Figure 3-1	Device Status Register .....	70
Figure 3-2	Device Configuration Register (DEVCFG) .....	71
Figure 3-3	JTAG ID (JTAGID) Register.....	72
Figure 3-4	LRESETNMI PIN Status Register (LRSTNMIPINSTAT) .....	72
Figure 3-5	LRESETNMI PIN Status Clear Register (LRSTNMIPINSTAT_CLR) .....	73
Figure 3-6	Reset Status Register (RESET_STAT) .....	74
Figure 3-7	Reset Status Clear Register (RESET_STAT_CLR).....	75
Figure 3-8	Boot Complete Register (BOOTCOMPLETE) .....	75
Figure 3-9	Power State Control Register (PWRSTATECTL) .....	76
Figure 3-10	NMI Generation Register (NMIGRx) .....	76
Figure 3-11	IPC Generation Registers (IPCGRx) .....	77
Figure 3-12	IPC Acknowledgement Registers (IPCARx) .....	78
Figure 3-13	IPC Generation Registers (IPCGRH) .....	78
Figure 3-14	IPC Acknowledgement Register (IPCARH) .....	79
Figure 3-15	Timer Input Selection Register (TINPSEL) .....	80
Figure 3-16	Timer Output Selection Register (TOUTPSEL) .....	82
Figure 3-17	Reset Mux Register RSTMUXx .....	83
Figure 3-18	Device Speed Register (DEVSPEED) .....	84
Figure 3-19	Pin Control 0 Register (PIN_CONTROL_0) .....	84
Figure 3-20	Pin Control 1 Register (PIN_CONTROL_1) .....	86
Figure 3-21	Pin Control 1 Register (PIN_CONTROL_1) .....	86
Figure 4-1	TeraNet 3A .....	91
Figure 4-2	TeraNet 3P_A .....	92
Figure 4-3	TeraNet 3P_B .....	92
Figure 4-4	TeraNet 3P_Tracer .....	93
Figure 4-5	TeraNet 6P_B .....	94
Figure 4-6	Packet DMA Priority Allocation Register (PKTDMA_PRI_ALLOC) .....	95
Figure 4-7	EMAC / uPP Priority Allocation Register (EMAC_UPP_PRI_ALLOC) .....	96
Figure 5-1	C66x CorePac Block Diagram .....	97

Figure 5-2	L1P Memory Configurations .....	98
Figure 5-3	L1D Memory Configurations .....	99
Figure 5-4	L2 Memory Configurations .....	100
Figure 5-5	CorePac Revision ID Register (MM_REVID) Address - 0181 2000h .....	103
Figure 7-1	Core Before IO Power Sequencing .....	110
Figure 7-2	IO Before Core Power Sequencing .....	112
Figure 7-3	SmartReflex 4-Pin VID Interface Timing .....	115
Figure 7-4	RESETFULL Reset Timing .....	125
Figure 7-5	Soft/Hard-Reset Timing .....	126
Figure 7-6	Boot Configuration Timing .....	126
Figure 7-7	Main PLL and PLL Controller .....	127
Figure 7-8	PLL Secondary Control Register (SECCTL) .....	131
Figure 7-9	PLL Controller Divider Register (PLLDIVn) .....	132
Figure 7-10	PLL Controller Clock Align Control Register (ALNCTL) .....	132
Figure 7-11	PLLDIV Divider Ratio Change Status Register (DCHANGE) .....	133
Figure 7-12	SYSCLK Status Register (SYSTAT) .....	133
Figure 7-13	Reset Type Status Register (RSTYPE) .....	134
Figure 7-14	Reset Control Register (RSTCTRL) .....	134
Figure 7-15	Reset Configuration Register (RSTCFG) .....	135
Figure 7-16	Reset Isolation Register (RSISO) .....	136
Figure 7-17	Main PLL Control Register 0 (MAINPLLCTL0) .....	136
Figure 7-18	Main PLL Control Register 1 (MAINPLLCTL1) .....	137
Figure 7-19	Main PLL Controller/SRIO/HyperLink/PCIe Clock Input Timing .....	139
Figure 7-20	Main PLL Clock Input Transition Time .....	139
Figure 7-21	DDR3 PLL Block Diagram .....	140
Figure 7-22	DDR3 PLL Control Register 0 (DDR3PLLCTL0) .....	140
Figure 7-23	DDR3 PLL Control Register 1 (DDR3PLLCTL1) .....	141
Figure 7-24	DDR3 PLL DDRCLK Timing .....	142
Figure 7-25	TMS320C6655/57 Interrupt Topology .....	148
Figure 7-26	NMI and Local Reset Timing .....	170
Figure 7-27	Configuration Register (CONFIG) .....	180
Figure 7-28	Programmable Range n Start Address Register (PROGn_MPSAR) .....	181
Figure 7-29	Programmable Range n End Address Register (PROGn_MPEAR) .....	182
Figure 7-30	Programmable Range n Memory Protection Page Attribute Register (PROGn_MPPA) .....	183
Figure 7-31	I <sup>2</sup> C Module Block Diagram .....	188
Figure 7-32	I <sup>2</sup> C Receive Timings .....	190
Figure 7-33	I <sup>2</sup> C Transmit Timings .....	191
Figure 7-34	SPI Master Mode Timing Diagrams — Base Timings for 3 Pin Mode .....	194
Figure 7-35	SPI Additional Timings for 4 Pin Master Mode with Chip Select Option .....	194
Figure 7-36	HyperLink Station Management Clock Timing .....	198
Figure 7-37	HyperLink Station Management Transmit Timing .....	198
Figure 7-38	HyperLink Station Management Receive Timing .....	198
Figure 7-39	UART Receive Timing Waveform .....	199
Figure 7-40	UART CTS (Clear-to-Send Input) — Autoflow Timing Waveform .....	199
Figure 7-41	UART Transmit Timing Waveform .....	200
Figure 7-42	UART RTS (Request-to-Send Output) — Autoflow Timing Waveform .....	200
Figure 7-43	EMIF16 Asynchronous Memory Read Timing Diagram .....	202
Figure 7-44	EMIF16 Asynchronous Memory Write Timing Diagram .....	202
Figure 7-45	EMIF16 EM_WAIT Read Timing Diagram .....	203
Figure 7-46	EMIF16 EM_WAIT Write Timing Diagram .....	203
Figure 7-47	EMAC, MDIO, and EMAC Control Modules .....	204
Figure 7-48	MDIO Input Timing .....	211
Figure 7-49	MDIO Output Timing .....	211
Figure 7-50	Timer Timing .....	213

# TMS320C6655/57

## Fixed and Floating-Point Digital Signal Processor



SPRS814A—August 2012

[www.ti.com](http://www.ti.com)

---

Figure 7-51	GPIO Timing .....	.214
Figure 7-52	McBSP Timing .....	.218
Figure 7-53	FSR Timing When GSYNC = 1 .....	.218
Figure 7-54	uPP Single Data Rate (SDR) Receive Timing .....	.221
Figure 7-55	uPP Double Data Rate (DDR) Receive Timing .....	.221
Figure 7-56	uPP Single Data Rate (SDR) Transmit Timing .....	.222
Figure 7-57	uPP Double Data Rate (DDR) Transmit Timing .....	.222
Figure 7-58	Trace Timing .....	.225
Figure 7-59	JTAG Test-Port Timing .....	.226



## List of Tables

Table 2-1	Characteristics of the TMS320C6655/57 Processor .....	17
Table 2-2	Memory Map Summary .....	21
Table 2-3	Boot Mode Pins: Boot Device Values .....	26
Table 2-4	EMIF16 / UART / No Boot Configuration Field Descriptions .....	27
Table 2-5	No Boot Configuration Field Descriptions .....	27
Table 2-6	UART Boot Configuration Field Descriptions .....	27
Table 2-7	EMIF16 Boot Configuration Field Descriptions .....	28
Table 2-8	Serial Rapid I/O Configuration Field Descriptions .....	28
Table 2-9	Ethernet (SGMII) Configuration Field Descriptions .....	29
Table 2-10	NAND Configuration Field Descriptions .....	29
Table 2-11	PCI Device Configuration Field Descriptions .....	30
Table 2-12	BAR Config / PCIe Window Sizes .....	30
Table 2-13	I <sup>2</sup> C Master Mode Device Configuration Field Descriptions .....	31
Table 2-14	I <sup>2</sup> C Passive Mode Device Configuration Field Descriptions .....	31
Table 2-15	SPI Device Configuration Field Descriptions .....	32
Table 2-16	HyperLink Boot Device Configuration Field Descriptions .....	32
Table 2-17	C66x DSP System PLL Configuration .....	33
Table 2-18	I/O Functional Symbol Definitions .....	39
Table 2-19	Terminal Functions — Signals and Control by Function .....	39
Table 2-20	Terminal Functions — Power and Ground .....	52
Table 2-21	Terminal Functions — By Signal Name .....	53
Table 2-22	Terminal Functions — By Ball Number .....	57
Table 3-1	TMS320C6655/57 Device Configuration Pins .....	66
Table 3-2	Device State Control Registers .....	67
Table 3-3	Device Status Register Field Descriptions .....	71
Table 3-4	Device Configuration Register Field Descriptions .....	71
Table 3-5	JTAG ID Register Field Descriptions .....	72
Table 3-6	LRESETNMI PIN Status Register (LRSTNMIPINSTAT) Field Descriptions .....	73
Table 3-7	LRESETNMI PIN Status Clear Register (LRSTNMIPINSTAT_CLR) Field Descriptions .....	73
Table 3-8	Reset Status Register (RESET_STAT) Field Descriptions .....	74
Table 3-9	Reset Status Clear Register (RESET_STAT_CLR) Field Descriptions .....	75
Table 3-10	Boot Complete Register (BOOTCOMPLETE) Field Descriptions .....	75
Table 3-11	Power State Control Register (PWRSTATECTL) Field Descriptions .....	76
Table 3-12	NMI Generation Register (NMIGRx) Field Descriptions .....	77
Table 3-13	IPC Generation Registers (IPCGRx) Field Descriptions .....	77
Table 3-14	IPC Acknowledgement Registers (IPCARx) Field Descriptions .....	78
Table 3-15	IPC Generation Registers (IPCGRH) Field Descriptions .....	79
Table 3-16	IPC Acknowledgement Register (IPCARH) Field Descriptions .....	79
Table 3-17	Timer Input Selection Field Description (TINPSEL) .....	80
Table 3-18	Timer Output Selection Field Description (TOUTPSEL) .....	82
Table 3-19	Reset Mux Register Field Descriptions .....	83
Table 3-20	Device Speed Register Field Descriptions .....	84
Table 3-21	Pin Control 0 Register Field Descriptions .....	85
Table 3-22	Pin Control 1 Register Field Descriptions .....	86
Table 3-23	Pin Control 1 Register Field Descriptions .....	86
Table 4-1	Switch Fabric Connection Matrix Section 1 .....	89
Table 4-2	Switch Fabric Connection Matrix Section 2 .....	90
Table 4-3	Packet DMA Priority Allocation Register (PKTDMA_PRI_ALLOC) Field Descriptions .....	95
Table 4-4	EMAC / uPP Priority Allocation Register (EMAC_UPP_PRI_ALLOC) Field Descriptions .....	96
Table 5-1	Available Memory Page Protection Schemes .....	101
Table 5-2	CorePac Revision ID Register (MM_REVID) Field Descriptions .....	103

# TMS320C6655/57

## Fixed and Floating-Point Digital Signal Processor



SPRS814A—August 2012

www.ti.com

Table 6-1	Absolute Maximum Ratings	104
Table 6-2	Recommended Operating Conditions	105
Table 6-3	Electrical Characteristics	106
Table 6-4	Power Supply to Peripheral I/O Mapping	107
Table 7-1	Power Supply Rails on TMS320C6655/57	108
Table 7-2	Core Before IO Power Sequencing	111
Table 7-3	IO Before Core Power Sequencing	113
Table 7-4	Clock Sequencing	114
Table 7-5	SmartReflex 4-Pin VID Interface Switching Characteristics	115
Table 7-6	Power Domains	116
Table 7-7	Clock Domains	117
Table 7-8	PSC Register Memory Map	118
Table 7-9	Reset Types	120
Table 7-10	Reset Timing Requirements	125
Table 7-11	Reset Switching Characteristics Over Recommended Operating Conditions	125
Table 7-12	Boot Configuration Timing Requirements	126
Table 7-13	Main PLL Stabilization, Lock, and Reset Times	129
Table 7-14	PLL Controller Registers (Including Reset Controller)	130
Table 7-15	PLL Secondary Control Register (SECCTL) Field Descriptions	131
Table 7-16	PLL Controller Divider Register (PLLDIVn) Field Descriptions	132
Table 7-17	PLL Controller Clock Align Control Register (ALNCTL) Field Descriptions	132
Table 7-18	PLLDIV Divider Ratio Change Status Register (DCHANGE) Field Descriptions	133
Table 7-19	SYSClk Status Register (SYSTAT) Field Descriptions	133
Table 7-20	Reset Type Status Register (RSTYPE) Field Descriptions	134
Table 7-21	Reset Control Register (RSTCTRL) Field Descriptions	135
Table 7-22	Reset Configuration Register (RSTCFG) Field Descriptions	135
Table 7-23	Reset Isolation Register (RSISO) Field Descriptions	136
Table 7-24	Main PLL Control Register 0 (MAINPLLCTL0) Field Descriptions	137
Table 7-25	Main PLL Control Register 1 (MAINPLLCTL1) Field Descriptions	137
Table 7-26	Main PLL Controller/SRIO/HyperLink/PCle Clock Input Timing Requirements	138
Table 7-27	DDR3 PLL Control Register 0 Field Descriptions	140
Table 7-28	DDR3 PLL Control Register 1 Field Descriptions	141
Table 7-29	DDR3 PLL DDRSYCLK1 (N P) Timing Requirements	142
Table 7-30	EDMA3 Channel Controller Configuration	144
Table 7-31	EDMA3 Transfer Controller Configuration	145
Table 7-32	EDMA3_CC Events for C6655/57	145
Table 7-33	TMS320C6655/57 System Event Mapping — C66x CorePac Primary Interrupts	148
Table 7-34	CIC0 Event Inputs (Secondary Interrupts for C66x CorePacs)	151
Table 7-35	CIC1 Event Inputs (Secondary Events for EDMA3_CC)	156
Table 7-36	CIC2 Event Inputs (Secondary Events for HyperLink)	160
Table 7-37	CIC0 Register	162
Table 7-38	CIC1 Register	165
Table 7-39	CIC2 Register	167
Table 7-40	IPC Generation Registers (IPCGRx)	168
Table 7-41	$\overline{\text{LRESET}}$ and $\overline{\text{NMI}}$ Decoding	169
Table 7-42	NMI and Local Reset Timing Requirements	169
Table 7-43	MPU Default Configuration	171
Table 7-44	MPU Memory Regions	171
Table 7-45	Privilege ID Settings	171
Table 7-46	Master ID Settings	172
Table 7-47	MPU0 Registers	174
Table 7-48	MPU1 Registers	175
Table 7-49	MPU2 Registers	176
Table 7-50	MPU3 Registers	177

Table 7-51	MPU4 Registers .....	178
Table 7-52	Configuration Register (CONFIG) Field Descriptions.....	180
Table 7-53	Programmable Range n Start Address Register (PROGn_MPSAR) Field Descriptions.....	181
Table 7-54	Programmable Range n Start Address Register (PROGn_MPSAR) Reset Values .....	181
Table 7-55	Programmable Range n End Address Register (PROGn_MPEAR) Field Descriptions .....	182
Table 7-56	Programmable Range n End Address Register (PROGn_MPEAR) Reset Values.....	182
Table 7-57	Programmable Range n Memory Protection Page Attribute Register (PROGn_MPPA) Field Descriptions.....	183
Table 7-58	Programmable Range n Memory Protection Page Attribute Register (PROGn_MPPA) Reset Values .....	185
Table 7-59	I <sup>2</sup> C Registers .....	188
Table 7-60	I <sup>2</sup> C Timing Requirements .....	189
Table 7-61	I <sup>2</sup> C Switching Characteristics.....	190
Table 7-62	SPI Timing Requirements .....	192
Table 7-63	SPI Switching Characteristics.....	192
Table 7-64	HyperLink Events.....	195
Table 7-65	HyperLink Peripheral Timing Requirements .....	197
Table 7-66	HyperLink Peripheral Switching Characteristics.....	197
Table 7-67	UART Timing Requirements.....	199
Table 7-68	UART Switching Characteristics .....	200
Table 7-69	EMIF16 Asynchronous Memory Timing Requirements .....	201
Table 7-70	Ethernet MAC (EMAC) Control Registers.....	205
Table 7-71	EMAC Statistics Registers .....	207
Table 7-72	EMAC Descriptor Memory .....	208
Table 7-73	SGMII Control Registers.....	208
Table 7-74	EMIC Control Registers .....	208
Table 7-75	MDIO Registers.....	210
Table 7-76	MDIO Timing Requirements .....	211
Table 7-77	MDIO Switching Characteristics.....	211
Table 7-78	Timer Input Timing Requirements .....	213
Table 7-79	Timer Output Switching Characteristics .....	213
Table 7-80	GPIO Input Timing Requirements .....	214
Table 7-81	GPIO Output Switching Characteristics .....	214
Table 7-82	McBSP/FIFO Registers .....	215
Table 7-83	McBSP Timing Requirements .....	216
Table 7-84	McBSP Switching Characteristics .....	217
Table 7-85	McBSP Timing Requirements for FSR When GSYNC = 1 .....	218
Table 7-86	Universal Parallel Port (uPP) Registers .....	219
Table 7-87	uPP Timing Requirements .....	220
Table 7-88	uPP Switching Characteristics.....	221
Table 7-89	DSP Trace Switching Characteristics .....	224
Table 7-90	STM Trace Switching Characteristics .....	224
Table 7-91	JTAG Test Port Timing Requirements.....	225
Table 7-92	JTAG Test Port Switching Characteristics .....	226
Table B-1	Thermal Resistance Characteristics (PBGA Package) [CZH/GZH] .....	228

**TMS320C6655/57**  
**Fixed and Floating-Point Digital Signal Processor**

*SPRS814A—August 2012*



[www.ti.com](http://www.ti.com)

---

## 1 Features

- **One (C6655) or Two (C6657) TMS320C66x™ DSP Core Subsystems (CorePacs), Each With**
  - 850 MHz (C6657 only), 1.0 GHz, or 1.25 GHz C66x Fixed/Floating-Point CPU Core
    - › 40 GMAC/Core for Fixed Point @ 1.25 GHz
    - › 20 GFLOP/Core for Floating Point @ 1.25 GHz
  - **Memory**
    - › 32K Byte L1P Per Core
    - › 32K Byte L1D Per Core
    - › 1024K Byte Local L2 Per Core
- **Multicore Shared Memory Controller (MSMC)**
  - 1024KB MSM SRAM Memory (Shared by Two DSP C66x CorePacs for C6657)
  - Memory Protection Unit for Both MSM SRAM and DDR3\_EMIF
- **Multicore Navigator**
  - 8192 Multipurpose Hardware Queues with Queue Manager
  - Packet-Based DMA for Zero-Overhead Transfers
- **Hardware Accelerators**
  - Two Viterbi Coprocessors
  - One Turbo Coprocessor Decoder
- **Peripherals**
  - **Four Lanes of SRIO 2.1**
    - › 1.24/2.5/3.125/5 GBaud Operation Supported Per Lane
    - › Supports Direct I/O, Message Passing
    - › Supports Four 1×, Two 2×, One 4×, and Two 1× + One 2× Link Configurations
  - **PCIe Gen2**
    - › Single Port Supporting 1 or 2 Lanes
    - › Supports Up To 5 GBaud Per Lane
  - **HyperLink**
    - › Supports Connections to Other KeyStone Architecture Devices Providing Resource Scalability
    - › Supports up to 40 Gbaud
  - **Gigabit Ethernet (GbE) Subsystem**
    - › One SGMII Port
    - › Supports 10/100/1000 Mbps Operation
  - **32-Bit DDR3 Interface**
    - › DDR3-1333
    - › 8G Byte Addressable Memory Space
  - **16-Bit EMIF**
  - **Universal Parallel Port**
    - › Two Channels of 8 bits or 16 bits Each
    - › Supports SDR and DDR Transfers
  - **Two UART Interfaces**
  - **Two Multichannel Buffered Serial Ports (McBSP)**
  - **I<sup>2</sup>C Interface**
  - **32 GPIO Pins**
  - **SPI Interface**
  - **Semaphore Module**
  - **Eight 64-Bit Timers**
  - **Two On-Chip PLLs**
  - **SoC Security Support**
- **Commercial Temperature:**
  - 0°C to 85°C
- **Extended Temperature:**
  - -40°C to 100°C
- **Extended Low Temperature:**
  - -55°C to 100°C

## 1.1 KeyStone Architecture

TI's KeyStone Multicore Architecture provides a high performance structure for integrating RISC and DSP cores with application specific coprocessors and I/O. KeyStone is the first of its kind that provides adequate internal bandwidth for nonblocking access to all processing cores, peripherals, coprocessors, and I/O. This is achieved with four main hardware elements: Multicore Navigator, TeraNet, Multicore Shared Memory Controller, and HyperLink.

Multicore Navigator is an innovative packet-based manager that controls 8192 queues. When tasks are allocated to the queues, Multicore Navigator provides hardware-accelerated dispatch that directs tasks to the appropriate available hardware. The packet-based system on a chip (SoC) uses the two Tbps capacity of the TeraNet switched central resource to move packets. The Multicore Shared Memory Controller enables processing cores to access shared memory directly without drawing from TeraNet's capacity, so packet movement cannot be blocked by memory access.

HyperLink provides a 40-Gbaud chip-level interconnect that allows SoCs to work in tandem. Its low-protocol overhead and high throughput make HyperLink an ideal interface for chip-to-chip interconnections. Working with Multicore Navigator, HyperLink dispatches tasks to tandem devices transparently and executes tasks as if they are running on local resources.

## 1.2 Device Description

The TMS320C6655/57 DSP is a highest-performance fixed/floating-point DSP that is based on TI's KeyStone multicore architecture. Incorporating the new and innovative C66x DSP core, this device can run at a core speed of up to 1.25 GHz. For developers of a broad range of applications, such as mission critical, medical imaging, test and automation, and other applications requiring high performance, TI's TMS320C6655/57 DSP offers up to 2.5 GHz cumulative DSP and enables a platform that is power-efficient and easy to use. In addition, it is fully backward compatible with all existing C6000 family of fixed and floating point DSPs.

TI's KeyStone architecture provides a programmable platform integrating various subsystems (C66x cores, memory subsystem, peripherals, and accelerators) and uses several innovative components and techniques to maximize intra-device and inter-device communication that allows the various DSP resources to operate efficiently and seamlessly. Central to this architecture are key components such as Multicore Navigator that allows for efficient data management between the various device components. The TeraNet is a non-blocking switch fabric enabling fast and contention-free internal data movement. The multicore shared memory controller allows access to shared and external memory directly without drawing from switch fabric capacity.

For fixed-point use, the C66x core has 4× the multiply accumulate (MAC) capability of C64x+ cores. In addition, the C66x core integrates floating point capability and the per core raw computational performance is an industry-leading 40 GMACS/core and 20 GFLOPS/core (@1.25 GHz operating frequency). It can execute 8 single precision floating point MAC operations per cycle and can perform double- and mixed-precision operations and is IEEE754 compliant. The C66x core incorporates 90 new instructions (compared to the C64x+ core) targeted for floating point and vector math oriented processing. These enhancements yield sizeable performance improvements in popular DSP kernels used in signal processing, mathematical, and image acquisition functions. The C66x core is backwards code compatible with TI's previous generation C6000 fixed and floating point DSP cores, ensuring software portability and shortened software development cycles for applications migrating to faster hardware.

The C6655/57 DSP integrates a large amount of on-chip memory. In addition to 32KB of L1 program and data cache, there is 1024KB of dedicated memory per core that can be configured as mapped RAM or cache. The device also integrates 1024KB of Multicore Shared Memory that can be used as a shared L2 SRAM and/or shared L3 SRAM. All L2 memories incorporate error detection and error correction. For fast access to external memory, this device includes a 32-bit DDR-3 external memory interface (EMIF) running at 1333 MHz and has ECC DRAM support.

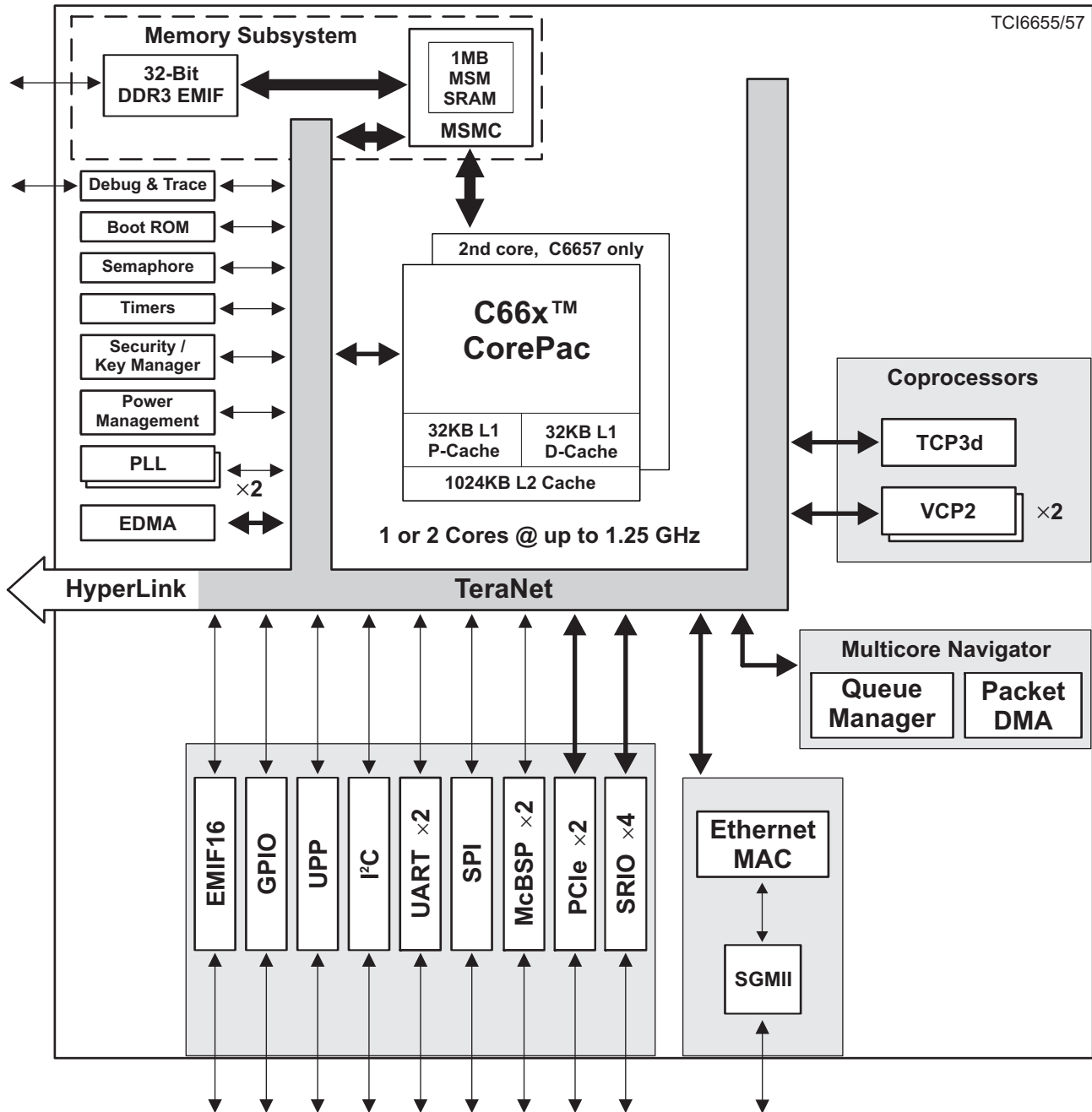
This family supports a number of high speed standard interfaces including RapidIO ver 2, PCI Express Gen2, and Gigabit Ethernet. It also includes I<sup>2</sup>C, UART, Multichannel Buffered Serial Port (McBSP), Universal Parallel Port, and a 16-bit asynchronous EMIF, along with general purpose CMOS IO. For high throughput, low latency communication between devices or with an FPGA, a 40-Gbaud full-duplex interface called HyperLink is included.

The C6655/57 device has a complete set of development tools, which includes: an enhanced C compiler, an assembly optimizer to simplify programming and scheduling, and a Windows® debugger interface for visibility into source code execution.

### 1.3 Functional Block Diagram

Figure 1-1 shows the functional block diagram of the device.

Figure 1-1 Functional Block Diagram





## 2 Device Overview

### 2.1 Device Characteristics

**Table 2-1 Characteristics of the TMS320C6655/57 Processor**

HARDWARE FEATURES		TMS320C6655	TMS320C6657
Peripheral	DDR3 Memory Controller (32-bit bus width) [1.5 V I/O] (clock source = DDRREFCLKN P)	1	
	DDR3 Maximum Data Rate	1333	
	EDMA3 (64 independent channels) [DSP/3 clock rate]	1	
	High-speed 1×/2×/4× Serial RapidIO Port (4 lanes)	1	
	PCIe (2 lanes)	1	
	10/100/1000 Ethernet	1	
	Management Data Input/Output (MDIO)	1	
	HyperLink	1	
	EMIF16	1	
	McBSP	2	
	SPI	1	
	UART	2	
	uPP	1	
	I <sup>2</sup> C	1	
	64-Bit Timers (configurable) (internal clock source = CPU/6 clock frequency)	8 (each configurable as two 32-bit timers)	
General-Purpose Input/Output port (GPIO)	32		
Encoder/Decoder	VCP2 (clock source = CPU/3 clock frequency)	2	
Coprocessors	TCP3d (clock source = CPU/2 clock frequency)	1	
On-Chip Memory	CorePac Memory	32KB L1 Program Memory [SRAM/Cache] 32KB L1 Data Memory [SRAM/Cache] 1024KB L2 Unified Memory/Cache	
	ROM Memory	128KB L3 ROM	
	Multicore Shared Memory	1024KB MSM SRAM	
C66x CorePac Revision ID	CorePac Revision ID Register (address location: 0181 2000h)	See Section 5.5 "C66x CorePac Revision" on page 103	
JTAG BSDL_ID	JTAGID register (address location: 0262 0018h)	See Section 3.3.3 "JTAG ID (JTAGID) Register Description" on page 72	
Frequency	MHz	1250 (1.25GHz)	
		1000 (1.0 GHz)	
		-	850 (0.85 GHz)
Cycle Time	ns	0.8 (1.25 GHz)	
		1 (1.0 GHz)	
		-	1.175 (0.85 GHz)
Voltage	Core (V)	SmartReflex variable supply	
	I/O (V)	1.0 V, 1.5 V, and 1.8 V	
Process Technology	μm	0.040 μm	
BGA Package	21 mm × 21mm	625-Pin Flip-Chip Plastic BGA (CZH or GZH)	
Product Status <sup>(1)</sup>	Production Data (PD)	PD	PD
<b>End of Table 2-1</b>			

<sup>1</sup> PRODUCTION DATA information is current as of publication date. Products conform to specifications per the terms of Texas Instruments standard warranty. Production processing does not necessarily include testing of all parameters.

## 2.2 DSP Core Description

The C66x Digital Signal Processor (DSP) extends the performance of the C64x+ and C674x DSPs through enhancements and new features. Many of the new features target increased performance for vector processing. The C64x+ and C674x DSPs support 2-way SIMD operations for 16-bit data and 4-way SIMD operations for 8-bit data. On the C66x DSP, the vector processing capability is improved by extending the width of the SIMD instructions. C66x DSPs can execute instructions that operate on 128-bit vectors. For example the QMPY32 instruction is able to perform the element-to-element multiplication between two vectors of four 32-bit data each. The C66x DSP also supports SIMD for floating-point operations. Improved vector processing capability (each instruction can process multiple data in parallel) combined with the natural instruction level parallelism of C6000 architecture (e.g execution of up to 8 instructions per cycle) results in a very high level of parallelism that can be exploited by DSP programmers through the use of TI's optimized C/C++ compiler.

The C66x DSP consists of eight functional units, two register files, and two data paths as shown in Figure 2-1. The two general-purpose register files (A and B) each contain 32 32-bit registers for a total of 64 registers. The general-purpose registers can be used for data or can be data address pointers. The data types supported include packed 8-bit data, packed 16-bit data, 32-bit data, 40-bit data, and 64-bit data. Multiplies also support 128-bit data. 40-bit-long or 64-bit-long values are stored in register pairs, with the 32 LSBs of data placed in an even register and the remaining 8 or 32 MSBs in the next upper register (which is always an odd-numbered register). 128-bit data values are stored in register quadruplets, with the 32 LSBs of data placed in a register that is a multiple of 4 and the remaining 96 MSBs in the next 3 upper registers.

The eight functional units (.M1, .L1, .D1, .S1, .M2, .L2, .D2, and .S2) are each capable of executing one instruction every clock cycle. The .M functional units perform all multiply operations. The .S and .L units perform a general set of arithmetic, logical, and branch functions. The .D units primarily load data from memory to the register file and store results from the register file into memory.

Each C66x .M unit can perform one of the following fixed-point operations each clock cycle: four  $32 \times 32$  bit multiplies, sixteen  $16 \times 16$  bit multiplies, four  $16 \times 32$  bit multiplies, four  $8 \times 8$  bit multiplies, four  $8 \times 8$  bit multiplies with add operations, and four  $16 \times 16$  multiplies with add/subtract capabilities. There is also support for Galois field multiplication for 8-bit and 32-bit data. Many communications algorithms such as FFTs and modems require complex multiplication. Each C66x .M unit can perform one  $16 \times 16$  bit complex multiply with or without rounding capabilities, two  $16 \times 16$  bit complex multiplies with rounding capability, and a  $32 \times 32$  bit complex multiply with rounding capability. The C66x can also perform two  $16 \times 16$  bit and one  $32 \times 32$  bit complex multiply instructions that multiply a complex number with a complex conjugate of another number with rounding capability. Communication signal processing also requires an extensive use of matrix operations. Each C66x .M unit is capable of multiplying a  $[1 \times 2]$  complex vector by a  $[2 \times 2]$  complex matrix per cycle with or without rounding capability. A version also exists allowing multiplication of the conjugate of a  $[1 \times 2]$  vector with a  $[2 \times 2]$  complex matrix.

Each C66x .M unit also includes IEEE floating-point multiplication operations from the C674x DSP, which includes one single-precision multiply each cycle and one double-precision multiply every 4 cycles. There is also a mixed-precision multiply that allows multiplication of a single-precision value by a double-precision value and an operation allowing multiplication of two single-precision numbers resulting in a double-precision number. The C66x DSP improves the performance over the C674x double-precision multiplies by adding a instruction allowing one double-precision multiply per cycle and also reduces the number of delay slots from 10 down to 4. Each C66x .M unit can also perform one the following floating-point operations each clock cycle: one, two, or four single-precision multiplies or a complex single-precision multiply.

The .L and .S units can now support up to 64-bit operands. This allows for new versions of many of the arithmetic, logical, and data packing instructions to allow for more parallel operations per cycle. Additional instructions were added yielding performance enhancements of the floating point addition and subtraction instructions, including the ability to perform one double precision addition or subtraction per cycle. Conversion to/from integer and single-precision values can now be done on both .L and .S units on the C66x. Also, by taking advantage of the larger

operands, instructions were also added to double the number of these conversions that can be done. The .L unit also has additional instructions for logical AND and OR instructions, as well as, 90 degree or 270 degree rotation of complex numbers (up to two per cycle). Instructions have also been added that allow for the computing the conjugate of a complex number.

The MFENCE instruction is a new instruction introduced on the C66x DSP. This instruction will create a DSP stall until the completion of all the DSP-triggered memory transactions, including:

- Cache line fills
- Writes from L1D to L2 or from the CorePac to MSMC and/or other system endpoints
- Victim write backs
- Block or global coherence operations
- Cache mode changes
- Outstanding XMC prefetch requests

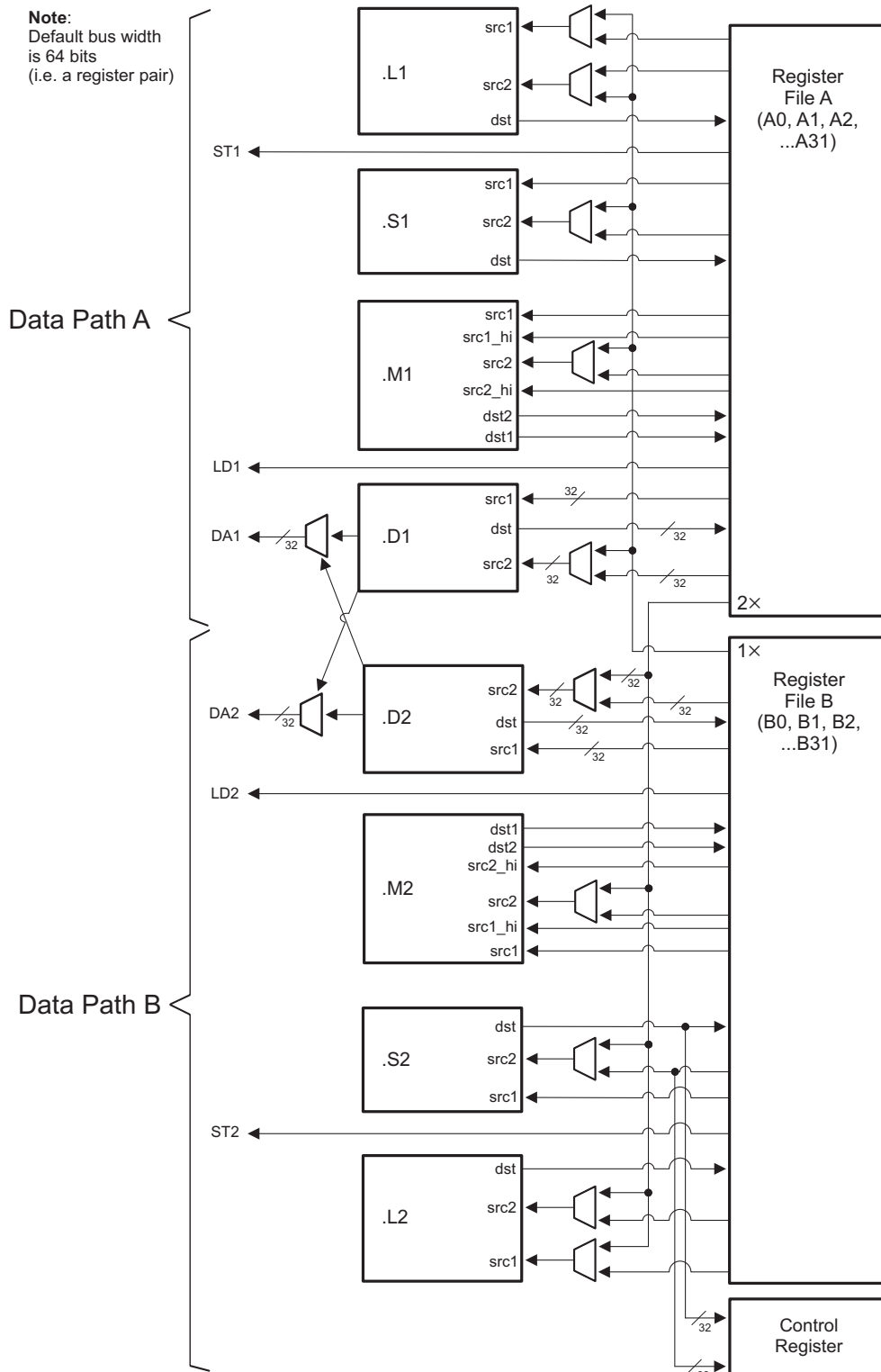
This is useful as a simple mechanism for programs to wait for these requests to reach their endpoint. It also provides ordering guarantees for writes arriving at a single endpoint via multiple paths, multiprocessor algorithms that depend on ordering, and manual coherence operations.

For more details on the C66x DSP and its enhancements over the C64x+ and C674x architectures, see the following documents:

- *C66x CPU and Instruction Set Reference Guide* in “[Related Documentation from Texas Instruments](#)” on page 65.
- *C66x DSP Cache User Guide* in “[Related Documentation from Texas Instruments](#)” on page 65.
- *C66x CorePac User Guide* in “[Related Documentation from Texas Instruments](#)” on page 65.

Figure 2-1 shows the DSP core functional units and data paths.

**Figure 2-1 DSP Core Data Paths**



## 2.3 Memory Map Summary

Table 2-2 shows the memory map address ranges of the TMS320C6655/57 device.

**Table 2-2 Memory Map Summary (Part 1 of 5)**

Logical 32-bit Address		Physical 36-bit Address		Bytes	Description
Start	End	Start	End		
00000000	007FFFFFFF	0 00000000	0 007FFFFFFF	8M	Reserved
00800000	008FFFFFFF	0 00800000	0 008FFFFFFF	1M	Local L2 SRAM
00900000	00DFFFFFFF	0 00900000	0 00DFFFFFFF	5M	Reserved
00E00000	00E07FFF	0 00E00000	0 00E07FFF	32K	Local L1P SRAM
00E08000	00EFFFFFFF	0 00E08000	0 00EFFFFFFF	1M-32K	Reserved
00F00000	00F07FFF	0 00F00000	0 00F07FFF	32K	Local L1D SRAM
00F08000	017FFFFFFF	0 00F08000	0 017FFFFFFF	9M-32K	Reserved
01800000	01BFFFFFFF	0 01800000	0 01BFFFFFFF	4M	C66x CorePac Registers
01C00000	01CFFFFFFF	0 01C00000	0 01CFFFFFFF	1M	Reserved
01D00000	01D0007F	0 01D00000	0 01D0007F	128	Tracer_MSMC_0
01D00080	01D07FFF	0 01D00080	0 01D07FFF	32K-128	Reserved
01D08000	01D0807F	0 01D08000	0 01D0807F	128	Tracer_MSMC_1
01D08080	01D0FFFF	0 01D08080	0 01D0FFFF	32K-128	Reserved
01D10000	01D1007F	0 01D10000	0 01D1007F	128	Tracer_MSMC_2
01D10080	01D17FFF	0 01D10080	0 01D17FFF	32K-128	Reserved
01D18000	01D1807F	0 01D18000	0 01D1807F	128	Tracer_MSMC_3
01D18080	01D1FFFF	0 01D18080	0 01D1FFFF	32K-128	Reserved
01D20000	01D2007F	0 01D20000	0 01D2007F	128	Tracer_QM_DMA
01D20080	01D27FFF	0 01D20080	0 01D27FFF	32K-128	Reserved
01D28000	01D2807F	0 01D28000	0 01D2807F	128	Tracer_DDR
01D28080	01D2FFFF	0 01D28080	0 01D2FFFF	32K-128	Reserved
01D30000	01D3007F	0 01D30000	0 01D3007F	128	Tracer_SEM
01D30080	01D37FFF	0 01D30080	0 01D37FFF	32K-128	Reserved
01D38000	01D3807F	0 01D38000	0 01D3807F	128	Tracer_QM_CFG
01D38080	01D3FFFF	0 01D38080	0 01D3FFFF	32K-128	Reserved
01D40000	01D4007F	0 01D40000	0 01D4007F	128	Tracer_CFG
01D40080	01D47FFF	0 01D40080	0 01D47FFF	32K-128	Reserved
01D48000	01D4807F	0 01D48000	0 01D4807F	128	Tracer_L2_0
01D48080	01D4FFFF	0 01D48080	0 01D4FFFF	32K-128	Reserved
01D50000	01D5007F	0 01D50000	0 01D5007F	128	Tracer_L2_1(C6657) or Reserved (C6655)
01D50080	01D57FFF	0 01D50080	0 01D57FFF	32K-128	Reserved
01D58000	01D5807F	0 01D58000	0 01D5807F	128	Tracer_EMIF16
01D58080	01D5FFFF	0 01D58080	0 01D5FFFF	4464K -128	Reserved
021B4000	021B47FF	0 021B4000	0 021B47FF	2K	McBSP0 Registers
021B4800	021B5FFF	0 021B4800	0 021B5FFF	6K	Reserved
021B6000	021B67FF	0 021B6000	0 021B67FF	2K	McBSP0 FIFO Registers
021B6800	021B7FFF	0 021B6800	0 021B7FFF	6K	Reserved
021B8000	021B87FF	0 021B8000	0 021B87FF	2K	McBSP1 Registers
021B8800	021B9FFF	0 021B8800	0 021B9FFF	6K	Reserved
021BA000	021BA7FF	0 021BA000	0 021BA7FF	2K	McBSP1 FIFO Registers

# TMS320C6655/57

## Fixed and Floating-Point Digital Signal Processor

SPRS814A—August 2012



www.ti.com

**Table 2-2 Memory Map Summary (Part 2 of 5)**

Logical 32-bit Address		Physical 36-bit Address		Bytes	Description
Start	End	Start	End		
021BA800	021BFFFF	0 021BA800	0 021BFFFF	22K	Reserved
021C0000	021C03FF	0 021C0000	0 021C03FF	1K	TCP3d Registers
021C0400	021CFFFF	0 021C0400	0 021CFFFF	63K	Reserved
021D0000	021D00FF	0 021D0000	0 021D00FF	256	VCP2-A Registers
021D0100	021D3FFF	0 021D0100	0 021D3FFF	16K - 256	Reserved
021D4000	021D40FF	0 021D4000	0 021D40FF	256	VCP2-B Registers
021D4100	021FFFFFF	0 021D4100	0 021FFFFFF	176K - 256	Reserved
02200000	0220007F	0 02200000	0 0220007F	128	Timer0
02200080	0220FFFF	0 02200080	0 0220FFFF	64K-128	Reserved
02210000	0221007F	0 02210000	0 0221007F	128	Timer1
02210080	0221FFFF	0 02210080	0 0221FFFF	64K-128	Reserved
02220000	0222007F	0 02220000	0 0222007F	128	Timer2
02220080	0222FFFF	0 02220080	0 0222FFFF	64K-128	Reserved
02230000	0223007F	0 02230000	0 0223007F	128	Timer3
02230080	0223FFFF	0 02230080	0 0223FFFF	64K-128	Reserved
02240000	0224007F	0 02240000	0 0224007F	128	Timer4
02240080	0224FFFF	0 02240080	0 0224FFFF	64K-128	Reserved
02250000	0225007F	0 02250000	0 0225007F	128	Timer5
02250080	0225FFFF	0 02250080	0 0225FFFF	64K-128	Reserved
02260000	0226007F	0 02260000	0 0226007F	128	Timer6
02260080	0226FFFF	0 02260080	0 0226FFFF	64K-128	Reserved
02270000	0227007F	0 02270000	0 0227007F	128	Timer7
02270080	0230FFFF	0 02270080	0 0230FFFF	640K - 128	Reserved
02310000	023101FF	0 02310000	0 023101FF	512	PLL Controller
02310200	0231FFFF	0 02310200	0 0231FFFF	64K-512	Reserved
02320000	023200FF	0 02320000	0 023200FF	256	GPIO
02320100	0232FFFF	0 02320100	0 0232FFFF	64K-256	Reserved
02330000	023303FF	0 02330000	0 023303FF	1K	SmartReflex
02330400	0234FFFF	0 02330400	0 0234FFFF	127K	Reserved
02350000	02350FFF	0 02350000	0 02350FFF	4K	Power Sleep Controller (PSC)
02351000	0235FFFF	0 02351000	0 0235FFFF	64K-4K	Reserved
02360000	023603FF	0 02360000	0 023603FF	1K	Memory Protection Unit (MPU) 0
02360400	02367FFF	0 02360400	0 02367FFF	31K	Reserved
02368000	023683FF	0 02368000	0 023683FF	1K	Memory Protection Unit (MPU) 1
02368400	0236FFFF	0 02368400	0 0236FFFF	31K	Reserved
02370000	023703FF	0 02370000	0 023703FF	1K	Memory Protection Unit (MPU) 2
02370400	02377FFF	0 02370400	0 02377FFF	31K	Reserved
02378000	023783FF	0 02378000	0 023783FF	1K	Memory Protection Unit (MPU) 3
02378400	0237FFFF	0 02378400	0 0237FFFF	31K	Reserved
02380000	023803FF	0 02380000	0 023803FF	1K	Memory Protection Unit (MPU) 4
02380400	0243FFFF	0 02380400	0 0243FFFF	767K	Reserved
02440000	02443FFF	0 02440000	0 02443FFF	16K	DSP trace formatter 0
02444000	0244FFFF	0 02444000	0 0244FFFF	48K	Reserved

**Table 2-2 Memory Map Summary (Part 3 of 5)**

Logical 32-bit Address		Physical 36-bit Address		Bytes	Description
Start	End	Start	End		
02450000	02453FFF	0 02450000	0 02453FFF	16K	DSP trace formatter 1 (C6657) or Reserved (C6655)
02454000	02521FFF	0 02454000	0 02521FFF	824K	Reserved
02522000	02522FFF	0 02522000	0 02522FFF	4K	Efuse
02523000	0252FFFF	0 02523000	0 0252FFFF	52K	Reserved
02530000	0253007F	0 02530000	0 0253007F	128	I <sup>2</sup> C data & control
02530080	0253FFFF	0 02530080	0 0253FFFF	64K-128	Reserved
02540000	0254003F	0 02540000	0 0254003F	64	UART 0
02540400	0254FFFF	0 02540400	0 0254FFFF	64K-64	Reserved
02550000	0255003F	0 02550000	0 0255003F	64	UART 1
02550040	0257FFFF	0 02550040	0 0257FFFF	192K-64	Reserved
02580000	02580FFF	0 02580000	0 02580FFF	4K	uPP
02581000	025FFFFF	0 02581000	0 025FFFFF	508K	Reserved
02600000	02601FFF	0 02600000	0 02601FFF	8K	Chip Interrupt Controller (CIC) 0
02602000	02603FFF	0 02602000	0 02603FFF	8K	Reserved
02604000	02605FFF	0 02604000	0 02605FFF	8K	Chip Interrupt Controller (CIC) 1
02606000	02607FFF	0 02606000	0 02607FFF	8K	Reserved
02608000	02609FFF	0 02608000	0 02609FFF	8K	Chip Interrupt Controller (CIC) 2
0260A000	0261FFFF	0 0260A000	0 0261FFFF	88K	Reserved
02620000	026207FF	0 02620000	0 026207FF	2K	Chip-Level Registers
02620800	0263FFFF	0 02620800	0 0263FFFF	126K	Reserved
02640000	026407FF	0 02640000	0 026407FF	2K	Semaphore
02640800	0273FFFF	0 02640800	0 0273FFFF	1022K	Reserved
02740000	02747FFF	0 02740000	0 02747FFF	32K	EDMA Channel Controller (EDMA3CC)
02748000	0278FFFF	0 02748000	0 0278FFFF	288K	Reserved
02790000	027903FF	0 02790000	0 027903FF	1K	EDMA3CC Transfer Controller EDMA3TC0
02790400	02797FFF	0 02790400	0 02797FFF	31K	Reserved
02798000	027983FF	0 02798000	0 027983FF	1K	EDMA3CC Transfer Controller EDMA3TC1
02798400	0279FFFF	0 02798400	0 0279FFFF	31K	Reserved
027A0000	027A03FF	0 027A0000	0 027A03FF	1K	EDMA3CC Transfer Controller EDMA3TC2
027A0400	027A7FFF	0 027A0400	0 027A7FFF	31K	Reserved
027A8000	027A83FF	0 027A8000	0 027A83FF	1K	EDMA3CC Transfer Controller EDMA3TC3
027A8400	027CFFFF	0 027A8400	0 027CFFFF	159K	Reserved
027D0000	027D0FFF	0 027D0000	0 027D0FFF	4K	TI embedded trace buffer (TETB) - CorePac0
027D1000	027DFFFF	0 027D1000	0 027DFFFF	60K	Reserved
027E0000	027E0FFF	0 027E0000	0 027E0FFF	4K	TI embedded trace buffer (TETB) - CorePac1 (C6657) or Reserved (C6655)
027E1000	0284FFFF	0 027E1000	0 0284FFFF	444K	Reserved
02850000	02857FFF	0 02850000	0 02857FFF	32K	TI embedded trace buffer (TETB) — system
02858000	028FFFFF	0 02858000	0 028FFFFF	672K	Reserved
02900000	02920FFF	0 02900000	0 02920FFF	132K	Serial RapidIO (SRIO) configuration
02921000	029FFFFFFF	0 02921000	0 029FFFFFFF	1M-132K	Reserved
02A00000	02AFFFFFFF	0 02A00000	0 02AFFFFFFF	1M	Queue manager subsystem configuration
02B00000	02C07FFF	0 02B00000	0 02C07FFF	1056K	Reserved

# TMS320C6655/57

## Fixed and Floating-Point Digital Signal Processor

SPRS814A—August 2012

www.ti.com

**Table 2-2 Memory Map Summary (Part 4 of 5)**

Logical 32-bit Address		Physical 36-bit Address		Bytes	Description
Start	End	Start	End		
02C08000	02C8BFFF	0 02C08000	0 02C8BFFF	16K	EMAC subsystem configuration
02C0C000	07FFFFFF	0 02C0C000	0 07FFFFFF	84M - 48K	Reserved
08000000	0800FFFF	0 08000000	0 0800FFFF	64K	Extended memory controller (XMC) configuration
08010000	0BBFFFFFF	0 08010000	0 0BBFFFFFF	60M-64K	Reserved
0BC00000	0BCFFFFFF	0 0BC00000	0 0BCFFFFFF	1M	Multicore shared memory controller (MSMC) config
0BD00000	0BFFFFFF	0 0BD00000	0 0BFFFFFF	3M	Reserved
0C000000	0C1FFFFFF	0 0C000000	0 0C1FFFFFF	1M	Multicore shared memory (MSM)
0C200000	107FFFFFF	0 0C200000	0 107FFFFFF	71 M	Reserved
10800000	108FFFFFF	0 10800000	0 108FFFFFF	1M	CorePac0 L2 SRAM
10900000	10DFFFFFF	0 10900000	0 10DFFFFFF	5M	Reserved
10E00000	10E07FFF	0 10E00000	0 10E07FFF	32K	CorePac0 L1P SRAM
10E08000	10EFFFFFF	0 10E08000	0 10EFFFFFF	1M-32K	Reserved
10F00000	10F07FFF	0 10F00000	0 10F07FFF	32K	CorePac0 L1D SRAM
10F08000	117FFFFFF	0 10F08000	0 117FFFFFF	9M-32K	Reserved
11800000	118FFFFFF	0 11800000	0 118FFFFFF	1M	CorePac1 L2 SRAM (C6657) or Reserved (C6655)
11900000	11DFFFFFF	0 11900000	0 11DFFFFFF	5M	Reserved
11E00000	11E07FFF	0 11E00000	0 11E07FFF	32K	CorePac1 L1P SRAM (C6657) or Reserved (C6655)
11E08000	11EFFFFFF	0 11E08000	0 11EFFFFFF	1M-32K	Reserved
11F00000	11F07FFF	0 11F00000	0 11F07FFF	32K	CorePac1 L1D SRAM (C6657) or Reserved (C6655)
11F08000	1FFFFFFF	0 11F08000	0 1FFFFFFF	225M-32K	Reserved
20000000	200FFFFFF	0 20000000	0 200FFFFFF	1M	System trace manager (STM) configuration
20100000	207FFFFFF	0 20100000	0 207FFFFFF	7M	Reserved
20800000	208FFFFFF	0 20800000	0 208FFFFFF	1M	TCP3d Data
20900000	20AFFFFFF	0 20900000	0 20AFFFFFF	2M	Reserved
20B00000	20B1FFFF	0 20B00000	0 20B1FFFF	128K	Boot ROM
20B20000	20BEFFFF	0 20B20000	0 20BEFFFF	832K	Reserved
20BF0000	20BF01FF	0 20BF0000	0 20BF01FF	512	SPI
20BF0400	20BFFFFFF	0 20BF0400	0 20BFFFFFF	64K -512	Reserved
20C00000	20C000FF	0 20C00000	0 20C000FF	256	EMIF16 configuration
20C00100	20FFFFFF	0 20C00100	0 20FFFFFF	4M - 256	Reserved
21000000	210001FF	1 00000000	1 000001FF	512	DDR3 EMIF configuration
21000200	213FFFFFF	0 21000200	0 213FFFFFF	4M-512	Reserved
21400000	214000FF	0 21400000	0 214000FF	256	HyperLink config
21400100	217FFFFFF	0 21400100	0 217FFFFFF	4M-256	Reserved
21800000	21807FFF	0 21800000	0 21807FFF	32K	PCIe config
21808000	33FFFFFF	0 21808000	0 33FFFFFF	8M-32K	Reserved
22000000	22000FFF	0 22000000	0 22000FFF	4K	McBSP0 FIFO Data
22000100	223FFFFFF	0 22000100	0 223FFFFFF	4M-4K	Reserved
22400000	22400FFF	0 22400000	0 22400FFF	4K	McBSP1 FIFO Data
22400100	229FFFFFF	0 22400100	0 229FFFFFF	6M-4K	Reserved
22A00000	22A0FFFF	0 22A00000	0 22A0FFFF	64K	VCP2-A
22A01000	22AFFFFFF	0 22A01000	0 22AFFFFFF	1M-64K	Reserved
22B00000	22B0FFFF	0 22B00000	0 22B0FFFF	64K	VCP2-B



**Table 2-2 Memory Map Summary (Part 5 of 5)**

Logical 32-bit Address		Physical 36-bit Address		Bytes	Description
Start	End	Start	End		
22B01000	33FFFFFF	0 22B01000	0 33FFFFFF	277M-64K	Reserved
34000000	341FFFFFF	0 34000000	0 341FFFFFF	2M	Queue manager subsystem data
34200000	3FFFFFFF	0 34200000	0 3FFFFFFF	190M	Reserved
40000000	4FFFFFFF	0 40000000	0 4FFFFFFF	256M	HyperLink data
50000000	5FFFFFFF	0 50000000	0 5FFFFFFF	256M	Reserved
60000000	6FFFFFFF	0 60000000	0 6FFFFFFF	256M	PCIe data
70000000	73FFFFFF	0 70000000	0 73FFFFFF	64M	EMIF16 CE0 data space, supports NAND, NOR, or SRAM memory <sup>(1)</sup>
74000000	77FFFFFF	0 74000000	0 77FFFFFF	64M	EMIF16 CE1 data space, supports NAND, NOR, or SRAM memory <sup>(1)</sup>
78000000	7BFFFFFF	0 78000000	0 7BFFFFFF	64M	EMIF16 CE2 data space, supports NAND, NOR, or SRAM memory <sup>(1)</sup>
7C000000	7FFFFFFF	0 7C000000	0 7FFFFFFF	64M	EMIF16 CE3 data space, supports NAND, NOR or SRAM memory <sup>(1)</sup>
80000000	FFFFFFFF	8 00000000	8 7FFFFFFF	2G	DDR3 EMIF data <sup>(2)</sup>
<b>End of Table 2-2</b>					

<sup>1</sup> 32MB per chip select for 16-bit NOR and SRAM. 16MB per chip select for 8-bit NOR and SRAM. The 32MB and 16MB size restrictions do not apply to NAND.

<sup>2</sup> The memory map only shows the default MPAX configuration of DDR3 memory space. For the extended DDR3 memory space access (up to 8GB), please refer to the MPAX configuration details in *C66x CorePac User Guide* and *Multicore Shared Memory Controller (MSMC) for KeyStone Devices User Guide* in [“Related Documentation from Texas Instruments”](#) on page 65.

## 2.4 Boot Sequence

The boot sequence is a process by which the DSP's internal memory is loaded with program and data sections. The DSP's internal registers are programmed with predetermined values. The boot sequence is started automatically after each power-on reset, warm reset, and system reset. A local reset to an individual C66x CorePac should not affect the state of the hardware boot controller on the device. For more details on the initiators of the resets, see section 7.4 [“Reset Controller”](#) on page 120. The bootloader uses a section of the L2 SRAM (start address 0x0087 2DC0 and end address 0x0087 FFFF) during initial booting of the device. For more details on the type of configurations stored in this reserved L2 section see the *Bootloader for the C66x DSP User Guide* in [“Related Documentation from Texas Instruments”](#) on page 65.

The C6655/57 supports several boot processes that begins execution at the ROM base address, which contains the bootloader code necessary to support various device boot modes. The boot processes are software-driven and use the BOOTMODE[12:0] device configuration inputs to determine the software configuration that must be completed. For more details on Boot Sequence see the *Bootloader for the C66x DSP User Guide* in [“Related Documentation from Texas Instruments”](#) on page 65.

## 2.5 Boot Modes Supported and PLL Settings

The device supports several boot processes, which leverage the internal boot ROM. Most boot processes are software driven, using the BOOTMODE[2:0] device configuration inputs to determine the software configuration that must be completed. From a hardware perspective, there are two possible boot modes:

- Public ROM Boot** - C66x CorePac0 is released from reset and begins executing from the L3 ROM base address. After performing the boot process (e.g., from I<sup>2</sup>C ROM, Ethernet, or RapidIO), C66x CorePac0 then begins execution from the provided boot entry point. For C6657 only, the other C66x CorePac is released from reset and begins executing an IDLE from the L3 ROM. It is then released from IDLE based on interrupts generated by C66x CorePac0. See the *Bootloader for the C66x DSP User Guide* in [“Related Documentation from Texas Instruments”](#) on page 65 for more details.

- **Secure ROM Boot** - On secure devices, the C66x CorePac0 is released from reset and begin executing from secure ROM. Software in the secure ROM will free up internal RAM pages, after which C66x CorePac0 initiates the boot process. The C66x CorePac0 performs any authentication and decryption required on the bootloaded image prior to beginning execution.

The boot process performed by the C66x CorePac0 in public ROM boot and secure ROM boot are determined by the BOOTMODE[12:0] value in the DEVSTAT register. The C66x CorePac0 reads this value, and then executes the associated boot process in software. Figure 2-2 shows the bits associated with BOOTMODE[12:0].

**Figure 2-2 Boot Mode Pin Decoding**

Boot Mode Pins												
12	11	10	9	8	7	6	5	4	3	2	1	0
PLL Mult I <sup>2</sup> C/SPI Ext Dev Cfg			Device Configuration							Boot Device		

### 2.5.1 Boot Device Field

The Boot Device field BOOTMODE[2:0] defines the boot device that is chosen. Table 2-3 shows the supported boot modes.

**Table 2-3 Boot Mode Pins: Boot Device Values**

Bit	Field	Description
2-0	Boot Device	Device boot mode 0 = EMIF16 / UART / No Boot 1 = Serial Rapid I/O 2 = Ethernet (SGMII) 3 = NAND 4 = PCIe 5 = I <sup>2</sup> C 6 = SPI 7 = HyperLink
<b>End of Table 2-3</b>		

### 2.5.2 Device Configuration Field

The device configuration fields BOOTMODE[9:3] are used to configure the boot peripheral and, therefore, the bit definitions depend on the boot mode.

#### 2.5.2.1 EMIF16 / UART / No Boot Device Configuration

**Figure 2-3 EMIF16 / UART / No Boot Configuration Fields**

9	8	7	6	5	4	3
Sub-Mode Specific Configuration				Sub-Mode		

**Table 2-4 EMIF16 / UART / No Boot Configuration Field Descriptions**

Bit	Field	Description
9 - 6	Sub-Mode Specific Configuration	Configures the selected sub-mode. See sections 2.5.2.1.1 "No Boot Mode", 2.5.2.1.2 "UART Boot Mode", and 2.5.2.1.3 "EMIF16 Boot Mode"
5-3	Sub-Mode	Sub mode selection. 0 = No boot 1 = UART port 0 boot 2 - 3 = Reserved 4 = EMIF16 boot 5 = UART port 1 boot 6 - 7 = Reserved
<b>End of Table 2-4</b>		

**2.5.2.1.1 No Boot Mode**
**Figure 2-4 No Boot Configuration Fields**

9	8	7	6
Reserved			

**Table 2-5 No Boot Configuration Field Descriptions**

Bit	Field	Description
9 - 6	Reserved	Reserved
<b>End of Table 2-5</b>		

**2.5.2.1.2 UART Boot Mode**
**Figure 2-5 UART Boot Configuration Fields**

9	8	7	6
Speed		Parity	

**Table 2-6 UART Boot Configuration Field Descriptions**

Bit	Field	Description
9 - 8	Speed	UART interface speed. 0 = 115200 baud 1 = 38400 baud 2 = 19200 baud 3 = 9600 baud
7-6	Parity	UART parity used during boot. 0 = None 1 = Odd 2 = Even 4 = None
<b>End of Table 2-6</b>		

**2.5.2.1.3 EMIF16 Boot Mode**

**Figure 2-6 EMIF16 Boot Configuration Fields**

<b>9</b>	<b>8</b>	<b>7</b>	<b>6</b>
Wait Enable	Width Select	Chip Select	

**Table 2-7 EMIF16 Boot Configuration Field Descriptions**

Bit	Field	Description
9	Wait Enable	Extended Wait mode for EMIF16. 0 = Wait enable disabled (EMIF16 sub mode) 1 = Wait enable enabled (EMIF16 sub mode)
8	Width Select	EMIF data width for EMIF16. 0 = 8-bit wide EMIF (EMIF16 sub mode) 1 = 16-bit wide EMIF (EMIF16 sub mode)
7-6	Chip Select	EMIF Chip Select used during EMIF 16 boot. 0 = CS2 1 = CS3 2 = CS4 4 = CS5
<b>End of Table 2-7</b>		

**2.5.2.2 Serial Rapid I/O Boot Device Configuration**

The device ID is always set to 0xff (8-bit node IDs) or 0xffff (16 bit node IDs) at power-on reset.

**Figure 2-7 Serial Rapid I/O Device Configuration Fields**

<b>9</b>	<b>8</b>	<b>7</b>	<b>6</b>	<b>5</b>	<b>4</b>	<b>3</b>
Lane Setup	Data Rate		Ref Clock		Reserved	

**Table 2-8 Serial Rapid I/O Configuration Field Descriptions**

Bit	Field	Description
9	Lane Setup	SRIO port and lane configuration 0 = Port Configured as 4 ports each 1 lane wide (4 - 1x ports) 1 = Port Configured as 2 ports 2 lanes wide (2 - 2x ports)
8-7	Data Rate	SRIO data rate configuration 0 = 1.25 GBaud 1 = 2.5 GBaud 2 = 3.125 GBaud 3 = 5.0 GBaud
6-5	Ref Clock	SRIO reference clock configuration 0 = 156.25 MHz 1 = 250 MHz 2 = 312.5 MHz 3 = Reserved
4-3	Reserved	Reserved
<b>End of Table 2-8</b>		

In SRIO boot mode, the message mode will be enabled by default. If use of the memory reserved for received messages is required and reception of messages cannot be prevented, the master can disable the message mode by writing to the boot table and generating a boot restart.

### 2.5.2.3 Ethernet (SGMII) Boot Device Configuration

**Figure 2-8 Ethernet (SGMII) Device Configuration Fields**

9	8	7	6	5	4	3
SerDes Clock Mult		Ext connection			Device ID	

**Table 2-9 Ethernet (SGMII) Configuration Field Descriptions**

Bit	Field	Description
9-8	SerDes Clock Mult	SGMII SerDes input clock. The output frequency of the PLL must be 1.25 GBs. 0 = x8 for input clock of 156.25 MHz 1 = x5 for input clock of 250 MHz 2 = x4 for input clock of 312.5 MHz 3 = Reserved
7-6	Ext connection	External connection mode 0 = MAC to MAC connection, master with auto negotiation 1 = MAC to MAC connection, slave, and MAC to PHY 2 = MAC to MAC, forced link 3 = MAC to fiber connection
5-3	Device ID	This value can range from 0 to 7 is used in the device ID field of the Ethernet-ready frame.
<b>End of Table 2-9</b>		

### 2.5.2.4 NAND Boot Device Configuration

**Figure 2-9 NAND Device Configuration Fields**

9	8	7	6	5	4	3
1 <sup>st</sup> Block					I <sup>2</sup> C	Reserved

**Table 2-10 NAND Configuration Field Descriptions**

Bit	Field	Description
9-5	1 <sup>st</sup> Block	NAND Block to be read first by the boot ROM. 0 = Block 0 ... 31 = Block 31
4	I <sup>2</sup> C	NAND parameters read from I <sup>2</sup> C EEPROM 0 = Parameters are not read from I <sup>2</sup> C 1 = Parameters are read from I <sup>2</sup> C
3	Reserved	Reserved
<b>End of Table 2-10</b>		

### 2.5.2.5 PCI Boot Device Configuration

Extra device configuration is provided in the PCI bits in the DEVSTAT register.

**Figure 2-10 PCI Device Configuration Fields**

9	8	7	6	5	4	3
Ref Clock	BAR Config				Reserved	

**Table 2-11 PCI Device Configuration Field Descriptions**

Bit	Field	Description
9	Ref Clock	PCIe reference clock configuration 0 = 100 MHz 1 = 250 MHz
8-5	BAR Config	PCIe BAR registers configuration This value can range from 0 to 0xf. See <a href="#">Table 2-12</a> .
4-3	Reserved	Reserved
<b>End of Table 2-11</b>		

**Table 2-12 BAR Config / PCIe Window Sizes**

BAR cfg	BAR0	32-Bit Address Translation					64-Bit Address Translation				
		BAR1	BAR2	BAR3	BAR4	BAR5	BAR2/3	BAR4/5			
0b0000	PCIe MMRs	32	32	32	32	Clone of BAR4					
0b0001		16	16	32	64						
0b0010		16	32	32	64						
0b0011		32	32	32	64						
0b0100		16	16	64	64						
0b0101		16	32	64	64						
0b0110		32	32	64	64						
0b0111		32	32	64	128						
0b1000		64	64	128	256						
0b1001		4	128	128	128						
0b1010		4	128	128	256						
0b1011		4	128	256	256						
0b1100										256	256
0b1101										512	512
0b1110										1024	1024
0b1111						2048	2048				
<b>End of Table 2-12</b>											

### 2.5.2.6 I<sup>2</sup>C Boot Device Configuration

#### 2.5.2.6.1 I<sup>2</sup>C Master Mode

In master mode, the I<sup>2</sup>C device configuration uses ten bits of device configuration instead of seven as used in other boot modes. In this mode, the device will make the initial read of the I<sup>2</sup>C EEPROM while the PLL is in bypass mode. The initial read will contain the desired clock multiplier, which will be set up prior to any subsequent reads.

**Figure 2-11 I<sup>2</sup>C Master Mode Device Configuration Bit Fields**

12	11	10	9	8	7	6	5	4	3
Mode	Address		Speed	Parameter Index					

**Table 2-13 I<sup>2</sup>C Master Mode Device Configuration Field Descriptions**

Bit	Field	Description
12	Mode	I <sup>2</sup> C operation mode 0 = Master mode 1 = Passive mode (see section 2.5.2.6.2 "I <sup>2</sup> C Passive Mode")
11 - 10	Address	I <sup>2</sup> C bus address configuration 0 = Boot from I <sup>2</sup> C EEPROM at I <sup>2</sup> C bus address 0x50 1 = Boot from I <sup>2</sup> C EEPROM at I <sup>2</sup> C bus address 0x51 2 = Boot from I <sup>2</sup> C EEPROM at I <sup>2</sup> C bus address 0x52 3 = Boot from I <sup>2</sup> C EEPROM at I <sup>2</sup> C bus address 0x53
9	Speed	I <sup>2</sup> C data rate configuration 0 = I <sup>2</sup> C slow mode. Initial data rate is SYSCLKIN / 5000 until PLLs and clocks are programmed 1 = I <sup>2</sup> C fast mode. Initial data rate is SYSCLKIN / 250 until PLLs and clocks are programmed
8-3	Parameter Index	Identifies the index of the configuration table initially read from the I <sup>2</sup> C EEPROM This value can range from 0 to 31.
<b>End of Table 2-13</b>		

### 2.5.2.6.2 I<sup>2</sup>C Passive Mode

In passive mode, the device does not drive the clock, but simply acks data received on the specified address.

**Figure 2-12 I<sup>2</sup>C Passive Mode Device Configuration Bit Fields**

12	11	10	9	8	7	6	5	4	3
Mode	Address						Reserved		

**Table 2-14 I<sup>2</sup>C Passive Mode Device Configuration Field Descriptions**

Bit	Field	Description
12	Mode	I <sup>2</sup> C operation mode 0 = Master mode (see section 2.5.2.6.1 "I <sup>2</sup> C Master Mode") 1 = Passive mode
11 - 5	Address	I <sup>2</sup> C bus address accepted during boot. Value may range from 0x00 to 0x7F
4 - 3	Reserved	Reserved
<b>End of Table 2-14</b>		

### 2.5.2.7 SPI Boot Device Configuration

In SPI boot mode, the SPI device configuration uses ten bits of device configuration instead of seven as used in other boot modes.

**Figure 2-13 SPI Device Configuration Bit Fields**

12	11	10	9	8	7	6	5	4	3
Mode	4, 5 Pin	Addr Width	Chip Select	Parameter Table Index					

**Table 2-15 SPI Device Configuration Field Descriptions**

Bit	Field	Description
12-11	Mode	Clk Pol / Phase 0 = Data is output on the rising edge of SPICLK. Input data is latched on the falling edge. 1 = Data is output one half-cycle before the first rising edge of SPICLK and on subsequent falling edges. Input data is latched on the rising edge of SPICLK. 2 = Data is output on the falling edge of SPICLK. Input data is latched on the rising edge. 3 = Data is output one half-cycle before the first falling edge of SPICLK and on subsequent rising edges. Input data is latched on the falling edge of SPICLK.
10	4, 5 Pin	SPI operation mode configuration 0 = 4-pin mode used 1 = 5-pin mode used
9	Addr Width	SPI address width configuration 0 = 16-bit address values are used 1 = 24-bit address values are used
8-7	Chip Select	The chip select field value
6-3	Parameter Table Index	Specifies which parameter table is loaded
<b>End of Table 2-15</b>		

### 2.5.2.8 HyperLink Boot Device Configuration

**Figure 2-14 HyperLink Boot Device Configuration Fields**

9	8	7	6	5	4	3
Reserved	Data Rate		Ref Clock		Reserved	

**Table 2-16 HyperLink Boot Device Configuration Field Descriptions**

Bit	Field	Description
9	Reserved	Reserved
8-7	Data Rate	HyperLink data rate configuration 0 = 1.25 GBaud/s 1 = 3.125 GBaud/s 2 = 6.25 GBaud/s 3 = Reserved
6-5	Ref Clocks	HyperLink reference clock configuration 0 = 156.25 MHz 1 = 250 MHz 2 = 312.5 MHz 3 = Reserved
4-3	Reserved	Reserved
<b>End of Table 2-16</b>		



### 2.5.3 PLL Boot Configuration Settings

The PLL default settings are determined by the BOOTMODE[12:10] bits. The following table shows settings for various input clock frequencies.

**Table 2-17 C66x DSP System PLL Configuration** <sup>(1)</sup>

BOOTMODE [12:10]	Input Clock Freq (MHz)	850 MHz Device			1000 MHz Device			1250 MHz Device		
		PLLD	PLLM	DSP <i>f</i>	PLLD	PLLM	DSP <i>f</i>	PLLD	PLLM	DSP <i>f</i>
0b000	50.00	0	33	850	0	39	1000	0	49	1250
0b001	66.67	1	50	850.04	0	29	1000.05	1	74	1250.063
0b010	80.00	3	84	850	0	24	1000	3	124	1250
0b011	100.00	0	16	850	0	19	1000	0	24	1250
0b100	156.25	49	543	850	4	63	1000	0	15	1250
0b101	250.00	4	33	850	0	7	1000	0	9	1250
0b110	312.50	49	271	850	4	31	1000	0	7	1250
0b111	122.88	5	82	849.92	28	471	999.989	28	589	1249.986
<b>End of Table 2-17</b>										

<sup>1</sup> The PLL boot configuration table above may not include all the frequency values that the device supports.

OUTPUT\_DIVIDE is the value of the field of SECCTL[22:19]. This will set the PLL to the maximum clock setting for the device (with OUTPUT\_DIVIDE=2, by default).

$$\text{CLK} = \text{CLKIN} \times (\text{PLLM} + 1) \div (\text{OUTPUT\_DIVIDE} \times (\text{PLLD} + 1))$$

The Main PLL is controlled using a PLL controller and a chip-level MMR. The DDR3 PLL is controlled by chip level MMRs. For details on how to set up the PLL see section 7.5 “[Main PLL and PLL Controller](#)” on page 127. For details on the operation of the PLL controller module, see the *Phase Locked Loop (PLL)*

*Controller for KeyStone Devices User Guide* in “[Related Documentation from Texas Instruments](#)” on page 65.

## 2.6 Second-Level Bootloaders

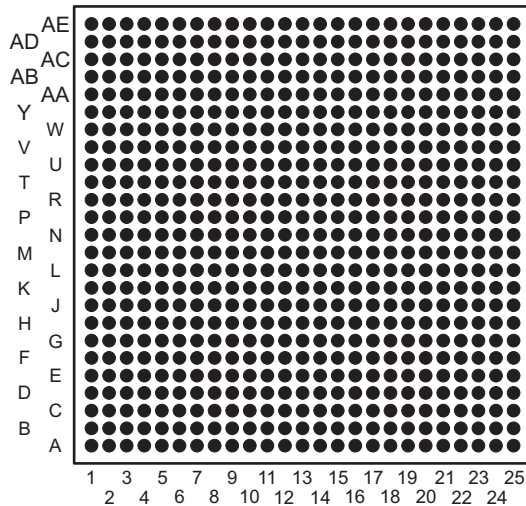
Any of the boot modes can be used to download a second-level bootloader. A second-level bootloader allows for any level of customization to current boot methods as well as the definition of a completely customized boot.

## 2.7 Terminals

### 2.7.1 Package Terminals

Figure 2-15 shows the TMS320C6655/57CZH and GZH ball grid area (BGA) packages (bottom view).

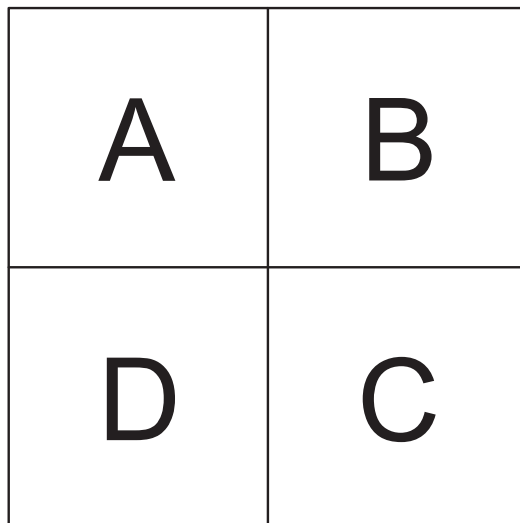
**Figure 2-15 CZH/GZH 625-Pin BGA Package (Bottom View)**



### 2.7.2 Pin Map

Figure 2-17 through Figure 2-20 show the TMS320C6655/57 pin assignments in four quadrants (A, B, C, and D).

**Figure 2-16 Pin Map Quadrants (Bottom View)**



**Figure 2-17 Upper Left Quadrant—A (Bottom View)**

	1	2	3	4	5	6	7	8	9	10	11	12	13
<b>AE</b>	VSS	SGMII0 RXN	SGMII0 RXP	VSS	RIORXN2	RIORXP2	VSS	RIORXP0	RIORXN0	VSS	PCIERXP0	PCIERXN0	VSS
<b>AD</b>	VSS	VSS	VSS	RIORXN3	RIORXP3	VSS	RIORXP1	RIORXN1	VSS	PCIERXN1	PCIERXP1	VSS	SRIOSGMII CLKP
<b>AC</b>	VSS	SGMII0 TXN	SGMII0 TXP	VSS	RIOTXN2	RIOTXP2	VSS	RIOTXP0	RIOTXN0	VSS	PCIETXP0	PCIETXN0	VSS
<b>AB</b>	EMIFD14	VSS	RSV19	RIOTXN3	RIOTXP3	VSS	RIOTXN1	RIOTXP1	VSS	PCIETXP1	PCIETXN1	VSS	SPIDOUT
<b>AA</b>	EMIFD13	EMIFD15	VDDR3	VSS	VDDR4	VSS	RSV17	VSS	VDDR2	VSS	RSV18	SPISCS0	SPICLK
<b>Y</b>	EMIFD09	EMIFD11	DVDD18	RSV13	RSV12	VSS	VDDT2	VSS	VDDT2	VSS	VDDT2	VSS	DVDD18
<b>W</b>	EMIFD06	EMIFD08	VSS	EMIFD10	EMIFD12	DVDD18	VSS	VDDT2	VSS	VDDT2	VSS	VDDT2	VSS
<b>V</b>	EMIFD02	EMIFD03	EMIFD04	EMIFD05	EMIFD07	VSS	DVDD18	VSS	CVDD	VSS	CVDD	VSS	CVDD
<b>U</b>	EMIFA21	EMIFA22	EMIFA23	EMIFD00	EMIFD01	DVDD18	VSS	CVDD1	VSS	CVDD	VSS	CVDD	VSS
<b>T</b>	EMIFA19	VSS	DVDD18	EMIFA18	EMIFA20	VSS	DVDD18	VSS	CVDD1	VSS	CVDD	VSS	CVDD
<b>R</b>	EMIFA17	EMIFA16	EMIFA14	EMIFA15	EMIFA13	DVDD18	VSS	VSS	VSS	CVDD	VSS	CVDD	VSS
<b>P</b>	EMIFA12	EMIFA11	EMIFA09	EMIFA05	EMIFA03	VSS	DVDD18	VSS	CVDD	VSS	CVDD	VSS	CVDD
<b>N</b>	EMIFA10	EMIFA08	DVDD18	VSS	EMIF WAIT0	DVDD18	VSS	CVDD	VSS	CVDD	VSS	CVDD	VSS

<b>A</b>	

# TMS320C6655/57

## Fixed and Floating-Point Digital Signal Processor

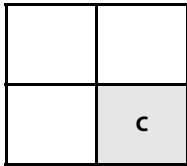
SPRS814A—August 2012

**Figure 2-18 Upper Right Quadrant—B (Bottom View)**

14	15	16	17	18	19	20	21	22	23	24	25	
SRIOSGMII CLKN	PCIECLKN	UARTCTS1	TDI	TMS	CORECLKN	TIMO1	TIM1	DX1	FSX1	CLKX1	VSS	<b>AE</b>
PCIECLKP	UARTRTS1	VSS	TCK	CORECLKP	TDO	TIM0	DR1	FSR1	CLKR1	FSR0	EMU16	<b>AD</b>
UARTRXD1	UARTTXD1	DVDD18	UARTCTS	RSV04	TIM00	DVDD18	CLKS1	DX0	CLKS0	EMU17	EMU13	<b>AC</b>
SPIDIN	UARTRXD	MDIO	UARTRTS	RSV05	TRST	VSS	DR0	EMU15	DVDD18	VSS	EMU12	<b>AB</b>
SPISCS1	UARTTXD	MDCLK	SCL	SDA	SYSCLKOUT	FSX0	CLKR0	RSV01	EMU14	EMU10	EMU11	<b>AA</b>
VSS	AVDDA1	VSS	DVDD18	POR	RSV08	CLKX0	EMU18	EMU09	EMU07	EMU06	EMU05	<b>Y</b>
DVDD18	VSS	DVDD18	VSS	DVDD18	VSS	DVDD18	GPIO14	EMU08	EMU03	EMU04	EMU02	<b>W</b>
VSS	CVDD	VSS	CVDD	VSS	DVDD18	VSS	GPIO15	GPIO13	GPIO10	EMU00	EMU01	<b>V</b>
CVDD	VSS	CVDD	VSS	CVDD1	VSS	DVDD18	GPIO11	GPIO08	GPIO09	GPIO05	GPIO03	<b>U</b>
VSS	CVDD	VSS	CVDD1	VSS	DVDD18	VSS	GPIO12	GPIO06	GPIO04	DVDD18	GPIO00	<b>T</b>
CVDD	VSS	CVDD	VSS	CVDD	VSS	DVDD18	GPIO07	VSS	GPIO02	VSS	GPIO01	<b>R</b>
VSS	CVDD	VSS	CVDD	VSS	CVDD	VSS	VSS	MCMTXN0	VSS	MCMRXN0	VSS	<b>P</b>
CVDD	VSS	CVDD	VSS	CVDD	VSS	VDDT1	MCMTXN1	MCMTXP0	VSS	MCMRXP0	MCMRXP1	<b>N</b>

	<b>B</b>

Figure 2-19 Lower Right Quadrant—C (Bottom View)



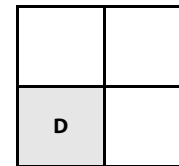
VSS	CVDD	VSS	CVDD	VSS	VDDT1	VDDR1	MCM TXP1	VSS	VSS	VSS	MCMRXN1	M
CVDD	VSS	CVDD	VSS	CVDD	VSS	VDDT1	VSS	MCMTXP2	VSS	MCMRXP3	VSS	L
VSS	CVDD	VSS	CVDD1	VSS	VDDT1	VSS	MCMTXP3	MCMTXN2	VSS	MCMRXN3	MCMRXP2	K
CVDD	VSS	CVDD	VSS	CVDD1	VSS	RSV16	MCMTXN3	VSS	VSS	VSS	MCMRXN2	J
VSS	CVDD	VSS	CVDD	VSS	DVDD18	VSS	VSS	RSV11	VSS	DVDD18	VSS	H
DVDD15	VSS	DVDD15	VSS	DVDD15	RSV0A	RSV0B	RSV15	RSV10	VCNTL3	MCMTX PMDAT	MCMREF CLKOUTP	G
VSS	PTV15	VSS	DVDD15	VSS	DVDD15	AVDDA2	RSV14	RSV20	VCNTL2	MCMTX PMCLK	MCMREF CLKOUTN	F
DDRODT0	DDRA03	DDRA02	DDRA15	DDRA14	DDRA10	DDRA09	DVDD18	VCNTL0	VCNTL1	MCMRX PMCLK	MCMTX FLCLK	E
$\overline{\text{DDRCAS}}$	DVDD15	DDRA00	DDRBA1	DDRA12	DVDD15	DDRA08	VSS	DDRSL RATE1	RSV21	MCMRX PMDAT	MCMTX FLDAT	D
$\overline{\text{DDRCE1}}$	VSS	DDRA06	DVDD15	DDRBA0	VSS	DDRA13	DVDD15	DDRSL RATE0	RSV09	MCMRX FLDAT	MCMCLKP	C
DDRCLK OUTN0	$\overline{\text{DDRCE0}}$	DDRRESET	VSS	DDRA04	DDRBA2	DDRA11	DDRCLK OUTN1	DDRCLKN	RSV06	MCMRX FLCLK	MCMCLKN	B
DDRCLK OUTP0	$\overline{\text{DDRRA5}}$	DDRCKE0	DDRA05	DDRA07	DDRA01	DDRCKE1	DDRCLK OUTP1	DDRCLKP	RSV07	DVDD18	VSS	A
14	15	16	17	18	19	20	21	22	23	24	25	

# TMS320C6655/57

## Fixed and Floating-Point Digital Signal Processor

SPRS814A—August 2012

**Figure 2-20 Lower Left Quadrant—D (Bottom View)**



<b>M</b>	EMIFA07	EMIFA06	EMIFA01	EMIFWAIT1	EMIFCE3	VSS	DVDD18	VSS	CVDD	VSS	CVDD	VSS	CVDD
<b>L</b>	EMIFA04	EMIFA02	EMIFBET	EMIFOE	EMIFRNW	DVDD18	VSS	CVDD	VSS	CVDD	VSS	CVDD	VSS
<b>K</b>	EMIFA00	VSS	DVDD18	EMIFWE	EMIFCE0	VSS	DVDD18	VSS	CVDD1	VSS	CVDD	VSS	CVDD
<b>J</b>	EMIFBE0	EMIFCE2	RSV02	RESETFULL	CORESELO	DVDD18	VSS	CVDD1	VSS	CVDD	VSS	CVDD	VSS
<b>H</b>	NMI	RSV03	BOOT COMPLETE	RESET	RESETSTAT	VSS	DVDD18	VSS	CVDD	VSS	CVDD	VSS	CVDD
<b>G</b>	EMIFCE1	HOUT	DVDD18	LRESET	CORESEL1	DVDD18	VSS	DVDD15	VSS	DVDD15	VSS	DVDD15	VSS
<b>F</b>	LRESET NMIEN	DDR25	VSS	DDR18	DDRQ2	VSS	DVDD15	VSS	DVDD15	VSS	DVDD15	VSS	DVDD15
<b>E</b>	DDRQ3	DDR24	DDR31	DDR19	DDR16	DDR08	DDRQ1	DDR09	DDR04	DDR05	VSS	VREFSSTL	DDRWE
<b>D</b>	DDR28	DVDD15	DDR29	DVDD15	DDR23	DDR12	DDR14	DVDD15	DDR02	DDRQ50P	DDRCB00	DDR0T1	DVDD15
<b>C</b>	DDR27	VSS	DDR30	VSS	DDR22	DVDD15	DDR13	VSS	DDR01	DDRQ50N	DDRCB02	DDRQ8	VSS
<b>B</b>	DDR26	DDRQ3N	DDR17	DDRQ2P	DDR21	VSS	DDRQ1P	DDR15	DDR03	DVDD15	DDR07	DDRCB01	DDRQ8P
<b>A</b>	VSS	DDRQ3P	DDR20	DDRQ2N	DDR11	DDR10	DDRQ1N	DDRQ0	DDR00	VSS	DDR06	DDRCB03	DDRQ8N
	<b>1</b>	<b>2</b>	<b>3</b>	<b>4</b>	<b>5</b>	<b>6</b>	<b>7</b>	<b>8</b>	<b>9</b>	<b>10</b>	<b>11</b>	<b>12</b>	<b>13</b>

## 2.8 Terminal Functions

The terminal functions table (Table 2-19) identifies the external signal names, the associated pin (ball) numbers, the pin type (I, O/Z, or I/O/Z), whether the pin has any internal pullup/pulldown resistors, and gives functional pin descriptions. This table is arranged by function. The power terminal functions table (Table 2-20) lists the various power supply pins and ground pins and gives functional pin descriptions. Table 2-21 shows all pins arranged by signal name. Table 2-22 shows all pins arranged by ball number.

There are 73 pins that have a secondary function as well as a primary function. The secondary function is indicated with a dagger (†). There is one pin that has a tertiary function as well as primary and secondary functions. The tertiary function is indicated with a double dagger (‡).

For more detailed information on device configuration, peripheral selection, multiplexed/shared pins, and pullup/pulldown resistors, see section 3.4 “Pullup/Pulldown Resistors” on page 87.

Use the symbol definitions in Table 2-18 when reading Table 2-19.

**Table 2-18 I/O Functional Symbol Definitions**

Functional Symbol	Definition	Table 2-19 Column Heading
IPD or IPU	Internal 100- $\mu$ A pulldown or pullup is provided for this terminal. In most systems, a 1-k $\Omega$ resistor can be used to oppose the IPD/IPU. For more detailed information on pulldown/pullup resistors and situations in which external pulldown/pullup resistors are required, see <i>Hardware Design Guide for KeyStone Devices</i> in “Related Documentation from Texas Instruments” on page 65.	IPD/IPU
A	Analog signal	Type
GND	Ground	Type
I	Input terminal	Type
O	Output terminal	Type
S	Supply voltage	Type
Z	Three-state terminal or high impedance	Type
<b>End of Table 2-18</b>		

**Table 2-19 Terminal Functions — Signals and Control by Function (Part 1 of 13)**

Signal Name	Ball No.	Type	IPD/IPU	Description
<b>Boot Configuration Pins</b>				
LENDIAN †	T25	IOZ	UP	Endian configuration pin (Pin shared with GPIO[0])
BOOTMODE00 †	R25	IOZ	Down	See Section 2.5 “Boot Modes Supported and PLL Settings” on page 25 for more details (Pins shared with GPIO[1:13])
BOOTMODE01 †	R23	IOZ	Down	
BOOTMODE02 †	U25	IOZ	Down	
BOOTMODE03 †	T23	IOZ	Down	
BOOTMODE04 †	U24	IOZ	Down	
BOOTMODE05 †	T22	IOZ	Down	
BOOTMODE06 †	R21	IOZ	Down	
BOOTMODE07 †	U22	IOZ	Down	
BOOTMODE08 †	U23	IOZ	Down	
BOOTMODE09 †	V23	IOZ	Down	
BOOTMODE10 †	U21	IOZ	Down	
BOOTMODE11 †	T21	IOZ	Down	
BOOTMODE12 †	V22	IOZ	Down	

# TMS320C6655/57

## Fixed and Floating-Point Digital Signal Processor

SPRS814A—August 2012

**Table 2-19 Terminal Functions — Signals and Control by Function (Part 2 of 13)**

Signal Name	Ball No.	Type	IPD/IPU	Description
PCISSMODE0 †	W21	IOZ	Down	PCIe Mode selection pins (Pins shared with GPIO[14:15])
PCISSMODE1 †	V21	IOZ	Down	
PCIESSEN ‡	AD20	I	Down	
<b>Clock / Reset</b>				
CORECLKP	AD18	I		Core Clock Input to main PLL.
CORECLKN	AE19	I		
SRIOSGMIICLKP	AD13	I		RapidIO/SGMII Reference Clock to drive the RapidIO and SGMII SerDes
SRIOSGMIICLKN	AE14	I		
DDRCLKP	A22	I		DDR Reference Clock Input to DDR PLL
DDRCLKN	B22	I		
PCIECLKP	AD14	I		PCIe Clock Input to drive PCIe SerDes
PCIECLKN	AE15	I		
MCMCLKP	C25	I		HyperLink Reference Clock to drive the HyperLink SerDes
MCMCLKN	B25	I		
AVDDA1	Y15	P		SYS_CLK PLL Power Supply Pin
AVDDA2	F20	P		DDR_CLK PLL Power Supply Pin
SYSCLKOUT	AA19	OZ	Down	System Clock Output to be used as a general purpose output clock for debug purposes
HOUT	G2	OZ	UP	Interrupt output pulse created by IPCGRH
$\overline{\text{NMI}}$	H1	I	UP	Non-maskable Interrupt
$\overline{\text{LRESET}}$	G4	I	UP	Warm Reset
$\overline{\text{LRESETNMIEN}}$	F1	I	UP	Enable for core selects
CORESELO	J5	I	Down	Select for the target core for LRESET and NMI. For more details see Table 7-42“NMI and Local Reset Timing Requirements” on page 169
CORESEL1	G5	I	Down	
$\overline{\text{RESETFULL}}$	J4	I	UP	Full Reset
$\overline{\text{RESET}}$	H4	I	UP	Warm Reset of non isolated portion on the IC
POR	Y18	I		Power-on Reset
$\overline{\text{RESETSTAT}}$	H5	O	UP	Reset Status Output
BOOTCOMPLETE	H3	OZ	Down	Boot progress indication output
PTV15	F15	A		PTV Compensation NMOS Reference Input. A precision resistor placed between the PTV15 pin and ground is used to closely tune the output impedance of the DDR interface drivers to 50 Ohms. Presently, the recommended value for this 1% resistor is 45.3 Ohms.
<b>DDR</b>				
DDRQDM0	A8	OZ		DDR EMIF Data Masks
DDRQDM1	E7	OZ		
DDRQDM2	F5	OZ		
DDRQDM3	E1	OZ		
DDRQDM8	C12	OZ		



**Table 2-19 Terminal Functions — Signals and Control by Function (Part 3 of 13)**

Signal Name	Ball No.	Type	IPD/IPU	Description
DDRQS0P	D10	IOZ		DDR EMIF Data Strobe
DDRQS0N	C10	IOZ		
DDRQS1P	B7	IOZ		
DDRQS1N	A7	IOZ		
DDRQS2P	B4	IOZ		
DDRQS2N	A4	IOZ		
DDRQS3P	A2	IOZ		
DDRQS3N	B2	IOZ		
DDRQS8P	B13	IOZ		
DDRQS8N	A13	IOZ		
DDRCB00	D11	IOZ		DDR EMIF Check Bits
DDRCB01	B12	IOZ		
DDRCB02	C11	IOZ		
DDRCB03	A12	IOZ		
DDR00	A9	IOZ		DDR EMIF Data Bus
DDR01	C9	IOZ		
DDR02	D9	IOZ		
DDR03	B9	IOZ		
DDR04	E9	IOZ		
DDR05	E10	IOZ		
DDR06	A11	IOZ		
DDR07	B11	IOZ		
DDR08	E6	IOZ		
DDR09	E8	IOZ		
DDR10	A6	IOZ		
DDR11	A5	IOZ		
DDR12	D6	IOZ		
DDR13	C7	IOZ		
DDR14	D7	IOZ		
DDR15	B8	IOZ		
DDR16	E5	IOZ		
DDR17	B3	IOZ		
DDR18	F4	IOZ		
DDR19	E4	IOZ		
DDR20	A3	IOZ		
DDR21	B5	IOZ		
DDR22	C5	IOZ		
DDR23	D5	IOZ		
DDR24	E2	IOZ		
DDR25	F2	IOZ		
DDR26	B1	IOZ		
DDR27	C1	IOZ		
DDR28	D1	IOZ		
DDR29	D3	IOZ		

# TMS320C6655/57

## Fixed and Floating-Point Digital Signal Processor

SPRS814A—August 2012

**Table 2-19 Terminal Functions — Signals and Control by Function (Part 4 of 13)**

Signal Name	Ball No.	Type	IPD/IPU	Description
DDR30	C3	IOZ		DDR EMIF Data Bus
DDR31	E3	IOZ		
$\overline{\text{DDRCE0}}$	B15	OZ		DDR EMIF Chip Enables
$\overline{\text{DDRCE1}}$	C14	OZ		
DDRBA0	C18	OZ		DDR EMIF Bank Address
DDRBA1	D17	OZ		
DDRBA2	B19	OZ		
DDRA00	D16	OZ		DDR EMIF Address Bus
DDRA01	A19	OZ		
DDRA02	E16	OZ		
DDRA03	E15	OZ		
DDRA04	B18	OZ		
DDRA05	A17	OZ		
DDRA06	C16	OZ		
DDRA07	A18	OZ		
DDRA08	D20	OZ		
DDRA09	E20	OZ		
DDRA10	E19	OZ		
DDRA11	B20	OZ		
DDRA12	D18	OZ		
DDRA13	C20	OZ		
DDRA14	E18	OZ		
DDRA15	E17	OZ		
$\overline{\text{DDRCAS}}$	D14	OZ		DDR EMIF Column Address Strobe
$\overline{\text{DDRRAS}}$	A15	OZ		DDR EMIF Row Address Strobe
$\overline{\text{DDRWE}}$	E13	OZ		DDR EMIF Write Enable
DDRCKE0	A16	OZ		DDR EMIF Clock Enable
DDRCKE1	A20	OZ		DDR EMIF Clock Enable
DDRCLKOUTP0	A14	OZ		DDR EMIF Output Clocks to drive SDRAMs (one clock pair per SDRAM)
DDRCLKOUTN0	B14	OZ		
DDRCLKOUTP1	A21	OZ		
DDRCLKOUTN1	B21	OZ		
DDRODT0	E14	OZ		DDR EMIF On Die Termination Outputs used to set termination on the SDRAMs
DDRODT1	D12	OZ		DDR EMIF On Die Termination Outputs used to set termination on the SDRAMs
$\overline{\text{DDRRESET}}$	B16	OZ		DDR Reset signal
DDRSRATE0	C22	I	Down	DDR Slew rate control
DDRSRATE1	D22	I	Down	
VREFSSTL	E12	P		Reference Voltage Input for SSTL15 buffers used by DDR EMIF ( $V_{\text{DD}} \div 2$ )

**Table 2-19 Terminal Functions — Signals and Control by Function (Part 5 of 13)**

Signal Name	Ball No.	Type	IPD/IPU	Description
<b>EMIF16</b>				
EMIFRW	L5	OZ	UP	EMIF16 Control Signals
EMIFCE0	K5	OZ	UP	
EMIFCE1	G1	OZ	UP	
EMIFCE2	J2	OZ	UP	
EMIFCE3	M5	OZ	UP	
EMIFOE	L4	OZ	UP	
EMIFWE	K4	OZ	UP	
EMIFBE0	J1	OZ	UP	
EMIFBE1	L3	OZ	UP	
EMIFWAIT0	N5	I	Down	
EMIFWAIT1	M4	I	Down	EMIF16 Control Signal This EMIF16 pin has a secondary function assigned to it as mentioned elsewhere in this table: "uPP" on page 44
EMIFA00	K1	OZ	Down	EMIF16 Address These EMIF16 pins have secondary functions assigned to them as mentioned elsewhere in this table: "uPP" on page 44
EMIFA01	M3	OZ	Down	
EMIFA02	L2	OZ	Down	
EMIFA03	P5	OZ	Down	
EMIFA04	L1	OZ	Down	
EMIFA05	P4	OZ	Down	
EMIFA06	M2	OZ	Down	
EMIFA07	M1	OZ	Down	
EMIFA08	N2	OZ	Down	
EMIFA09	P3	OZ	Down	
EMIFA10	N1	OZ	Down	
EMIFA11	P2	OZ	Down	
EMIFA12	P1	OZ	Down	
EMIFA13	R5	OZ	Down	
EMIFA14	R3	OZ	Down	
EMIFA15	R4	OZ	Down	
EMIFA16	R2	OZ	Down	
EMIFA17	R1	OZ	Down	
EMIFA18	T4	OZ	Down	
EMIFA19	T1	OZ	Down	
EMIFA20	T5	OZ	Down	
EMIFA21	U1	OZ	Down	
EMIFA22	U2	OZ	Down	
EMIFA23	U3	OZ	Down	

# TMS320C6655/57

## Fixed and Floating-Point Digital Signal Processor

SPRS814A—August 2012



www.ti.com

**Table 2-19 Terminal Functions — Signals and Control by Function (Part 6 of 13)**

Signal Name	Ball No.	Type	IPD/IPU	Description
EMIFD00	U4	IOZ	Down	EMIF16 Data These EMIF16 pins have secondary functions assigned to them as mentioned elsewhere in this table: "uPP" on page 44.
EMIFD01	U5	IOZ	Down	
EMIFD02	V1	IOZ	Down	
EMIFD03	V2	IOZ	Down	
EMIFD04	V3	IOZ	Down	
EMIFD05	V4	IOZ	Down	
EMIFD06	W1	IOZ	Down	
EMIFD07	V5	IOZ	Down	
EMIFD08	W2	IOZ	Down	
EMIFD09	Y1	IOZ	Down	
EMIFD10	W4	IOZ	Down	
EMIFD11	Y2	IOZ	Down	
EMIFD12	W5	IOZ	Down	
EMIFD13	AA1	IOZ	Down	
EMIFD14	AB1	IOZ	Down	
EMIFD15	AA2	IOZ	Down	
<b>uPP</b>				
UPP_2TXCLK †	M4	I	Down	uPP Transmit Reference Clock (2x Transmit Rate) This uPP pin has a primary function assigned to it as mentioned elsewhere in this table: "EMIF16" on page 43.
UPP_CH0_CLK †	R2	IOZ	Down	uPP Channel 0 Clock This uPP pin has a primary function assigned to it as mentioned elsewhere in this table: "EMIF16" on page 43.
UPP_CH0_START †	R1	IOZ	Down	uPP Channel 0 Start This uPP pin has a primary function assigned to it as mentioned elsewhere in this table: "EMIF16" on page 43.
UPP_CH0_ENABLE †	T4	IOZ	Down	uPP Channel 0 Enable This uPP pin has a primary function assigned to it as mentioned elsewhere in this table: "EMIF16" on page 43.
UPP_CH0_WAIT †	T1	IOZ	Down	uPP Channel 0 Wait This uPP pin has a primary function assigned to it as mentioned elsewhere in this table: "EMIF16" on page 43.
UPP_CH1_CLK †	T5	IOZ	Down	uPP Channel 1 Clock This uPP pin has a primary function assigned to it as mentioned elsewhere in this table: "EMIF16" on page 43.
UPP_CH1_START †	U1	IOZ	Down	uPP Channel 1 Start This uPP pin has a primary function assigned to it as mentioned elsewhere in this table: "EMIF16" on page 43.
UPP_CH1_ENABLE †	U2	IOZ	Down	uPP Channel 1 Enable This uPP pin has a primary function assigned to it as mentioned elsewhere in this table: "EMIF16" on page 43.
UPP_CH1_WAIT †	U3	IOZ	Down	uPP Channel 1 Wait This uPP pin has a primary function assigned to it as mentioned elsewhere in this table: "EMIF16" on page 43.

**Table 2-19 Terminal Functions — Signals and Control by Function (Part 7 of 13)**

Signal Name	Ball No.	Type	IPD/IPU	Description
UPPD00 †	U4	IOZ	Down	uPP Data Each uPP pin has a primary function assigned to it as mentioned elsewhere in this table: “EMIF16” on page 43.
UPPD01 †	U5	IOZ	Down	
UPPD02 †	V1	IOZ	Down	
UPPD03 †	V2	IOZ	Down	
UPPD04 †	V3	IOZ	Down	
UPPD05 †	V4	IOZ	Down	
UPPD06 †	W1	IOZ	Down	
UPPD07 †	V5	IOZ	Down	
UPPD08 †	W2	IOZ	Down	
UPPD09 †	Y1	IOZ	Down	
UPPD10 †	W4	IOZ	Down	
UPPD11 †	Y2	IOZ	Down	
UPPD12 †	W5	IOZ	Down	
UPPD13 †	AA1	IOZ	Down	
UPPD14 †	AB1	IOZ	Down	
UPPD15 †	AA2	IOZ	Down	
UPPXD00 †	K1	IOZ	Down	uPP Extended Data Each uPP pin has a primary function assigned to it as mentioned elsewhere in this table: “EMIF16” on page 43.
UPPXD01 †	M3	IOZ	Down	
UPPXD02 †	L2	IOZ	Down	
UPPXD03 †	P5	IOZ	Down	
UPPXD04 †	L1	IOZ	Down	
UPPXD05 †	P4	IOZ	Down	
UPPXD06 †	M2	IOZ	Down	
UPPXD07 †	M1	IOZ	Down	
UPPXD08 †	N2	IOZ	Down	
UPPXD09 †	P3	IOZ	Down	
UPPXD10 †	N1	IOZ	Down	
UPPXD11 †	P2	IOZ	Down	
UPPXD12 †	P1	IOZ	Down	
UPPXD13 †	R5	IOZ	Down	
UPPXD14 †	R3	IOZ	Down	
UPPXD15 †	R4	IOZ	Down	

# TMS320C6655/57

## Fixed and Floating-Point Digital Signal Processor

SPRS814A—August 2012



www.ti.com

**Table 2-19 Terminal Functions — Signals and Control by Function (Part 8 of 13)**

Signal Name	Ball No.	Type	IPD/IPU	Description
<b>EMU</b>				
EMU00	V24	IOZ	UP	Emulation and Trace Port
EMU01	V25	IOZ	UP	
EMU02	W25	IOZ	UP	
EMU03	W23	IOZ	UP	
EMU04	W24	IOZ	UP	
EMU05	Y25	IOZ	UP	
EMU06	Y24	IOZ	UP	
EMU07	Y23	IOZ	UP	
EMU08	W22	IOZ	UP	
EMU09	Y22	IOZ	UP	
EMU10	AA24	IOZ	UP	
EMU11	AA25	IOZ	UP	
EMU12	AB25	IOZ	UP	
EMU13	AC25	IOZ	UP	
EMU14	AA23	IOZ	UP	
EMU15	AB22	IOZ	UP	
EMU16	AD25	IOZ	UP	
EMU17	AC24	IOZ	UP	
EMU18	Y21	IOZ	UP	
<b>General Purpose Input/Output (GPIO)</b>				
GPIO00	T25	IOZ	UP	General Purpose Input/Output These GPIO pins have secondary functions assigned to them as mentioned elsewhere in this table: " <a href="#">Boot Configuration Pins</a> " on page 39.
GPIO01	R25	IOZ	Down	
GPIO02	R23	IOZ	Down	
GPIO03	U25	IOZ	Down	
GPIO04	T23	IOZ	Down	
GPIO05	U24	IOZ	Down	
GPIO06	T22	IOZ	Down	
GPIO07	R21	IOZ	Down	
GPIO08	U22	IOZ	Down	
GPIO09	U23	IOZ	Down	
GPIO10	V23	IOZ	Down	
GPIO11	U21	IOZ	Down	
GPIO12	T21	IOZ	Down	
GPIO13	V22	IOZ	Down	
GPIO14	W21	IOZ	Down	
GPIO15	V21	IOZ	Down	
GPIO16 †	AD20	IOZ	Down	General Purpose Input/Output This GPIO pin has a primary function assigned to it as mentioned elsewhere in this table (" <a href="#">Timer</a> " on page 50) and a tertiary function assigned to it as mentioned elsewhere in this table (" <a href="#">Boot Configuration Pins</a> " on page 39).
GPIO17 †	AE21	IOZ	Down	General Purpose Input/Output
GPIO18 †	AC19	IOZ	Down	These GPIO pins have primary functions assigned to them as mentioned elsewhere in this table: " <a href="#">Timer</a> " on page 50.
GPIO19 †	AE20	IOZ	Down	

**Table 2-19 Terminal Functions — Signals and Control by Function (Part 9 of 13)**

Signal Name	Ball No.	Type	IPD/IPU	Description
GPIO20 †	AB15	IOZ	Down	General Purpose Input/Output These GPIO pins have primary functions assigned to them as mentioned elsewhere in this table: "UART" on page 50.
GPIO21 †	AA15	IOZ	Down	
GPIO22 †	AC17	IOZ	Down	
GPIO23 †	AB17	IOZ	Down	
GPIO24 †	AC14	IOZ	Down	
GPIO25 †	AC15	IOZ	Down	
GPIO26 †	AE16	IOZ	Down	
GPIO27 †	AD15	IOZ	Down	
GPIO28 †	AA12	IOZ	Up	General Purpose Input/Output These GPIO pins have primary functions assigned to them as mentioned elsewhere in this table: "SPI" on page 49.
GPIO29 †	AA14	IOZ	Up	
GPIO30 †	AB14	IOZ	Down	
GPIO31 †	AB13	IOZ	Down	
<b>HyperLink</b>				
MCMRXN0	P24	I		Serial HyperLink Receive Data
MCMRXP0	N24	I		
MCMRXN1	M25	I		
MCMRXP1	N25	I		
MCMRXN2	J25	I		
MCMRXP2	K25	I		
MCMRXN3	K24	I		
MCMRXP3	L24	I		
MCMTXN0	P22	O		Serial HyperLink Transmit Data
MCMTXP0	N22	O		
MCMTXN1	N21	O		
MCMTXP1	M21	O		
MCMTXN2	K22	O		
MCMTXP2	L22	O		
MCMTXN3	J21	O		
MCMTXP3	K21	O		
MCMRXFLCLK	B24	O	Down	Serial HyperLink Sideband Signals
MCMRXFLDAT	C24	O	Down	
MCMTXFLCLK	E25	I	Down	
MCMTXFLDAT	D25	I	Down	
MCMRXPCLK	E24	I	Down	
MCMRXPMDAT	D24	I	Down	
MCMTXPCLK	F24	O	Down	
MCMTXPMDAT	G24	O	Down	
MCMREFCLKOUTP	G25	O		HyperLink Reference clock output for daisy chain connection
MCMREFCLKOUTN	F25	O		
<b>I<sup>2</sup>C</b>				
SCL	AA17	IOZ		I <sup>2</sup> C Clock
SDA	AA18	IOZ		I <sup>2</sup> C Data

# TMS320C6655/57

## Fixed and Floating-Point Digital Signal Processor

SPRS814A—August 2012

**Table 2-19 Terminal Functions — Signals and Control by Function (Part 10 of 13)**

Signal Name	Ball No.	Type	IPD/IPU	Description
<b>JTAG</b>				
TCK	AD17	I	Up	JTAG Clock Input
TDI	AE17	I	Up	JTAG Data Input
TDO	AD19	OZ	Up	JTAG Data Output
TMS	AE18	I	Up	JTAG Test Mode Input
$\overline{\text{TRST}}$	AB19	I	Down	JTAG Reset
<b>McBSP</b>				
CLKR0	AA21	IOZ	Down	McBSP Receive Clock
CLKX0	Y20	IOZ	Down	McBSP Transmit Clock
CLKS0	AC23	IOZ	Down	McBSP Slow Clock
FSR0	AD24	IOZ	Down	McBSP Receive Frame Sync
FSX0	AA20	IOZ	Down	McBSP Transmit Frame Sync
DR0	AB21	I	Down	McBSP Receive Data
DX0	AC22	OZ	Down	McBSP Transmit Data
CLKR1	AD23	IOZ	Down	McBSP Receive Clock
CLKX1	AE24	IOZ	Down	McBSP Transmit Clock
CLKS1	AC21	IOZ	Down	McBSP Slow Clock
FSR1	AD22	IOZ	Down	McBSP Receive Frame Sync
FSX1	AE23	IOZ	Down	McBSP Transmit Frame Sync
DR1	AD21	I	Down	McBSP Receive Data
DX1	AE22	OZ	Down	McBSP Transmit Data
<b>MDIO</b>				
MDIO	AB16	IOZ	Up	MDIO Data
MDCLK	AA16	O	Down	MDIO Clock
<b>PCIe</b>				
PCIERXN0	AE12	I		PCIexpress Receive Data (2 links)
PCIERXP0	AE11	I		
PCIERXN1	AD10	I		
PCIERXP1	AD11	I		
PCIETXN0	AC12	O		PCIexpress Transmit Data (2 links)
PCIETXP0	AC11	O		
PCIETXN1	AB11	O		
PCIETXP1	AB10	O		



**Table 2-19 Terminal Functions — Signals and Control by Function (Part 11 of 13)**

Signal Name	Ball No.	Type	IPD/IPU	Description
<b>Serial RapidIO</b>				
RIORXN0	AE9	I		Serial RapidIO Receive Data (4 links)
RIORXP0	AE8	I		
RIORXN1	AD8	I		
RIORXP1	AD7	I		
RIORXN2	AE5	I		
RIORXP2	AE6	I		
RIORXN3	AD4	I		
RIORXP3	AD5	I		
RIOTXN0	AC9	O		Serial RapidIO Receive Data (4 links)
RIOTXP0	AC8	O		
RIOTXN1	AB7	O		
RIOTXP1	AB8	O		
RIOTXN2	AC5	O		
RIOTXP2	AC6	O		
RIOTXN3	AB4	O		
RIOTXP3	AB5	O		
<b>SGMII</b>				
SGMIIORXN	AE2	I		Ethernet MAC SGMII Receive Data
SGMIIORXP	AE3	I		
SGMIIOTXN	AC2	O		Ethernet MAC SGMII Transmit Data
SGMIIOTXP	AC3	O		
<b>SmartReflex</b>				
VCNTL0	E22	OZ		Voltage Control Outputs to variable core power supply
VCNTL1	E23	OZ		
VCNTL2	F23	OZ		
VCNTL3	G23	OZ		
<b>SPI</b>				
SPISCS0	AA12	OZ	Up	SPI Interface Enable 0 This SPI pin has a secondary function assigned to it as mentioned elsewhere in this table: " <a href="#">General Purpose Input/Output (GPIO)</a> " on page 46.
SPISCS1	AA14	OZ	Up	SPI Interface Enable 1 This SPI pin has a secondary function assigned to it as mentioned elsewhere in this table: " <a href="#">General Purpose Input/Output (GPIO)</a> " on page 46.
SPICLK	AA13	OZ	Down	SPI Clock
SPIDIN	AB14	I	Down	SPI Data In This SPI pin has a secondary function assigned to it as mentioned elsewhere in this table: " <a href="#">General Purpose Input/Output (GPIO)</a> " on page 46.
SPIDOUT	AB13	OZ	Down	SPI Data Out This SPI pin has a secondary function assigned to it as mentioned elsewhere in this table: " <a href="#">General Purpose Input/Output (GPIO)</a> " on page 46.

# TMS320C6655/57

## Fixed and Floating-Point Digital Signal Processor

SPRS814A—August 2012



www.ti.com

**Table 2-19 Terminal Functions — Signals and Control by Function (Part 12 of 13)**

Signal Name	Ball No.	Type	IPD/IPU	Description
<b>Timer</b>				
TIMIO	AD20	I	Down	Timer Inputs
TIMI1	AE21	I	Down	These Timer pins have secondary functions assigned to them as mentioned elsewhere in this table: <a href="#">“General Purpose Input/Output (GPIO)”</a> on page 46
TIMOO	AC19	OZ	Down	Timer Outputs
TIMO1	AE20	OZ	Down	These Timer pins have secondary functions assigned to them as mentioned elsewhere in this table: <a href="#">“General Purpose Input/Output (GPIO)”</a> on page 46
<b>UART</b>				
UARTRXD	AB15	I	Down	UART Serial Data In This UART pin has a secondary function assigned to it as mentioned elsewhere in this table: <a href="#">“General Purpose Input/Output (GPIO)”</a> on page 46
UARTTXD	AA15	OZ	Down	UART Serial Data Out This UART pin has a secondary function assigned to it as mentioned elsewhere in this table: <a href="#">“General Purpose Input/Output (GPIO)”</a> on page 46
UARTCTS	AC17	I	Down	UART Clear To Send This UART pin has a secondary function assigned to it as mentioned elsewhere in this table: <a href="#">“General Purpose Input/Output (GPIO)”</a> on page 46
UARTRTS	AB17	OZ	Down	UART Request To Send This UART pin has a secondary function assigned to it as mentioned elsewhere in this table: <a href="#">“General Purpose Input/Output (GPIO)”</a> on page 46
UARTRXD1	AC14	I	Down	UART Serial Data In This UART pin has a secondary function assigned to it as mentioned elsewhere in this table: <a href="#">“General Purpose Input/Output (GPIO)”</a> on page 46
UARTTXD1	AC15	OZ	Down	UART Serial Data Out This UART pin has a secondary function assigned to it as mentioned elsewhere in this table: <a href="#">“General Purpose Input/Output (GPIO)”</a> on page 46
UARTCTS1	AE16	I	Down	UART Clear To Send This UART pin has a secondary function assigned to it as mentioned elsewhere in this table: <a href="#">“General Purpose Input/Output (GPIO)”</a> on page 46
UARTRTS1	AD15	OZ	Down	UART Request To Send This UART pin has a secondary function assigned to it as mentioned elsewhere in this table: <a href="#">“General Purpose Input/Output (GPIO)”</a> on page 46
<b>Reserved</b>				
RSV01	AA22	IOZ	Up	Reserved - pullup to DVDD18
RSV02	J3	OZ	Down	Reserved - leave unconnected
RSV03	H2	OZ	Down	Reserved - leave unconnected
RSV04	AC18	O		Reserved - leave unconnected
RSV05	AB18	O		Reserved - leave unconnected
RSV06	B23	O		Reserved - leave unconnected
RSV07	A23	O		Reserved - leave unconnected
RSV08	Y19	OZ	Down	Reserved - leave unconnected
RSV09	C23	OZ	Down	Reserved - leave unconnected
RSV10	G22	A		Reserved - connect to GND
RSV11	H22	A		Reserved - leave unconnected
RSV12	Y5	A		Reserved - leave unconnected
RSV13	Y4	A		Reserved - leave unconnected
RSV14	F21	A		Reserved - leave unconnected
RSV15	G21	A		Reserved - leave unconnected

**Table 2-19 Terminal Functions — Signals and Control by Function (Part 13 of 13)**

Signal Name	Ball No.	Type	IPD/IPU	Description
RSV16	J20	A		Reserved - leave unconnected
RSV17	AA7	A		Reserved - leave unconnected
RSV18	AA11	A		Reserved - leave unconnected
RSV19	AB3	A		Reserved - leave unconnected
RSV20	F22	IOZ		Reserved - leave unconnected
RSV21	D23	IOZ		Reserved - leave unconnected
RSV0A	G19	A		Reserved - leave unconnected
RSV0B	G20	A		Reserved - leave unconnected
<b>End of Table 2-19</b>				

# TMS320C6655/57

## Fixed and Floating-Point Digital Signal Processor

SPRS814A—August 2012

**Table 2-20 Terminal Functions — Power and Ground**

Supply	Ball No.	Volts	Description
AVDDA1	Y15	1.8	PLL Supply - CORE_PLL
AVDDA2	F20	1.8	PLL Supply - DDR3_PLL
CVDD	H9, H11, H13, H15, H17, J10, J12, J14, J16, K11, K13, K15, L8, L10, L12, L14, L16, L18, M9, M11, M13, M15, M17, N8, N10, N12, N14, N16, N18, P9, P11, P13, P15, P17, P19, R10, R12, R14, R16, R18, T11, T13, T15, U10, U12, U14, U16, V9, V11, V13, V15, V17	0.85 to 1.1	SmartReflex core supply voltage
CVDD1	J8, J18, K9, K17, T9, T17, U8, U18	1.0	Fixed core supply voltage for memory array
DVDD15	B10, C6, C17, C21, D2, D4, D8, D13, D15, D19, F7, F9, F11, F13, F17, F19, G8, G10, G12, G14, G16, G18	1.5	DDR IO supply
DVDD18	A24, E21, G3, G6, H7, H19, H24, J6, K3, K7, L6, M7, N3, N6, P7, R6, R20, T3, T7, T19, T24, U6, U20, V7, V19, W6, W14, W16, W18, W20, Y3, Y13, Y17, AB23, AC16, AC20	1.8	IO supply
VDDR1	M20	1.5	HyperLink SerDes regulator supply
VDDR2	AA9	1.5	PCIe SerDes regulator supply
VDDR3	AA3	1.5	SGMII SerDes regulator supply
VDDR4	AA5	1.5	SRIO SerDes regulator supply
VDDT1	K19, L20, M19, N20	1.0	HyperLink SerDes termination supply
VDDT2	W8, W10, W12, Y7, Y9, Y11	1.0	SGMII/SRIO/PCIe SerDes termination supply
VREFSSTL	E12	0.75	DDR3 reference voltage
VSS	A1, A10, A25, B6, B17, C2, C4, C8, C13, C15, C19, D21, E11, F3, F6, F8, F10, F12, F14, F16, F18, G7, G9, G11, G13, G15, G17, H6, H8, H10, H12, H14, H16, H18, H20, H21, H23, H25, J7, J9, J11, J13, J15, J17, J19, J22, J23, J24, K2, K6, K8, K10, K12, K14, K16, K18, K20, K23, L7, L9, L11, L13, L15, L17, L19, L21, L23, L25, M6, M8, M10, M12, M14, M16, M18, M22, M23, M24, N4, N7, N9, N11, N13, N15, N17, N19, N23, P6, P8, P10, P12, P14, P16, P18, P20, P21, P23, P25, R7, R8, R9, R11, R13, R15, R17, R19, R22, R24, T2, T6, T8, T10, T12, T14, T16, T18, T20, U7, U9, U11, U13, U15, U17, U19, V6, V8, V10, V12, V14, V16, V18, V20, W3, W7, W9, W11, W13, W15, W17, W19, Y6, Y8, Y10, Y12, Y14, Y16, AA4, AA6, AA8, AA10, AB2, AB6, AB9, AB12, AB20, AB24, AC1, AC4, AC7, AC10, AC13, AD1, AD2, AD3, AD6, AD9, AD12, AD16, AE1, AE4, AE7, AE10, AE13, AE25	GND	Ground
<b>End of Table 2-20</b>			

**Table 2-21 Terminal Functions  
— By Signal Name  
(Part 1 of 11)**

Signal Name	Ball Number
AVDDA1	Y15
AVDDA2	F20
BOOTCOMPLETE	H3
BOOTMODE00 †	R25
BOOTMODE01 †	R23
BOOTMODE02 †	U25
BOOTMODE03 †	T23
BOOTMODE04 †	U24
BOOTMODE05 †	T22
BOOTMODE06 †	R21
BOOTMODE07 †	U22
BOOTMODE08 †	U23
BOOTMODE09 †	V23
BOOTMODE10 †	U21
BOOTMODE11 †	T21
BOOTMODE12 †	V22
CLKR0	AA21
CLKR1	AD23
CLKS0	AC23
CLKS1	AC21
CLKX0	Y20
CLKX1	AE24
CORECLKN	AE19
CORECLKP	AD18
CORESELO	J5
CORESEL1	G5
CVDD	H9, H11, H13, H15, H17, J10, J12, J14, J16, K11, K13, K15, L8, L10, L12, L14, L16, L18, M9, M11, M13, M15, M17, N8, N10, N12, N14, N16, N18, P9, P11, P13, P15, P17, P19, R10, R12, R14, R16, R18, T11, T13, T15, U10, U12, U14, U16, V9, V11, V13, V15, V17
CVDD1	J8, J18, K9, K17, T9, T17, U8, U18
DDRA00	D16
DDRA01	A19
DDRA02	E16
DDRA03	E15

**Table 2-21 Terminal Functions  
— By Signal Name  
(Part 2 of 11)**

Signal Name	Ball Number
DDRA04	B18
DDRA05	A17
DDRA06	C16
DDRA07	A18
DDRA08	D20
DDRA09	E20
DDRA10	E19
DDRA11	B20
DDRA12	D18
DDRA13	C20
DDRA14	E18
DDRA15	E17
DDRBA0	C18
DDRBA1	D17
DDRBA2	B19
DDRCAS	D14
DDRCB00	D11
DDRCB01	B12
DDRCB02	C11
DDRCB03	A12
DDRC $\overline{E0}$	B15
DDRCET	C14
DDRCKE0	A16
DDRCKE1	A20
DDRCLKN	B22
DDRCLKOUTN0	B14
DDRCLKOUTN1	B21
DDRCLKOUTP0	A14
DDRCLKOUTP1	A21
DDRCLKP	A22
DDR00	A9
DDR01	C9
DDR02	D9
DDR03	B9
DDR04	E9
DDR05	E10
DDR06	A11
DDR07	B11
DDR08	E6
DDR09	E8
DDR10	A6
DDR11	A5

**Table 2-21 Terminal Functions  
— By Signal Name  
(Part 3 of 11)**

Signal Name	Ball Number
DDR12	D6
DDR13	C7
DDR14	D7
DDR15	B8
DDR16	E5
DDR17	B3
DDR18	F4
DDR19	E4
DDR20	A3
DDR21	B5
DDR22	C5
DDR23	D5
DDR24	E2
DDR25	F2
DDR26	B1
DDR27	C1
DDR28	D1
DDR29	D3
DDR30	C3
DDR31	E3
DDRQ0M0	A8
DDRQ0M1	E7
DDRQ0M2	F5
DDRQ0M3	E1
DDRQ0M8	C12
DDRQ0S0N	C10
DDRQ0S0P	D10
DDRQ0S1N	A7
DDRQ0S1P	B7
DDRQ0S2N	A4
DDRQ0S2P	B4
DDRQ0S3N	B2
DDRQ0S3P	A2
DDRQ0S8N	A13
DDRQ0S8P	B13
DDRODT0	E14
DDRODT1	D12
DDRRAS	A15
DDRRESET	B16
DDRSR0E0	C22
DDRSR0E1	D22
DDRWE	E13

# TMS320C6655/57

## Fixed and Floating-Point Digital Signal Processor

SPRS814A—August 2012



www.ti.com

**Table 2-21 Terminal Functions  
— By Signal Name  
(Part 4 of 11)**

Signal Name	Ball Number
DR0	AB21
DR1	AD21
DVDD15	B10, C6, C17, C21, D2, D4, D8, D13, D15, D19, F7, F9, F11, F13, F17, F19, G8, G10, G12, G14, G16, G18
DVDD18	A24, E21, G3, G6, H7, H19, H24, J6, K3, K7, L6, M7, N3, N6, P7, R6, R20, T3, T7, T19, T24, U6, U20, V7, V19, W6, W14, W16, W18, W20, Y3, Y13, Y17, AB23, AC16, AC20
DX0	AC22
DX1	AE22
EMIFA00	K1
EMIFA01	M3
EMIFA02	L2
EMIFA03	P5
EMIFA04	L1
EMIFA05	P4
EMIFA06	M2
EMIFA07	M1
EMIFA08	N2
EMIFA09	P3
EMIFA10	N1
EMIFA11	P2
EMIFA12	P1
EMIFA13	R5
EMIFA14	R3
EMIFA15	R4
EMIFA16	R2
EMIFA17	R1
EMIFA18	T4
EMIFA19	T1
EMIFA20	T5
EMIFA21	U1
EMIFA22	U2
EMIFA23	U3
EMIFBE0	J1
EMIFBE1	L3
EMIFCE0	K5
EMIFCE1	G1

**Table 2-21 Terminal Functions  
— By Signal Name  
(Part 5 of 11)**

Signal Name	Ball Number
EMIFCE2	J2
EMIFCE3	M5
EMIFD00	U4
EMIFD01	U5
EMIFD02	V1
EMIFD03	V2
EMIFD04	V3
EMIFD05	V4
EMIFD06	W1
EMIFD07	V5
EMIFD08	W2
EMIFD09	Y1
EMIFD10	W4
EMIFD11	Y2
EMIFD12	W5
EMIFD13	AA1
EMIFD14	AB1
EMIFD15	AA2
EMIFOE	L4
EMIFRNW	L5
EMIFWAIT0	N5
EMIFWAIT1	M4
EMIFWE	K4
EMU00	V24
EMU01	V25
EMU02	W25
EMU03	W23
EMU04	W24
EMU05	Y25
EMU06	Y24
EMU07	Y23
EMU08	W22
EMU09	Y22
EMU10	AA24
EMU11	AA25
EMU12	AB25
EMU13	AC25
EMU14	AA23
EMU15	AB22
EMU16	AD25
EMU17	AC24
EMU18	Y21

**Table 2-21 Terminal Functions  
— By Signal Name  
(Part 6 of 11)**

Signal Name	Ball Number
FSR0	AD24
FSR1	AD22
FSX0	AA20
FSX1	AE23
GPIO00	T25
GPIO01	R25
GPIO02	R23
GPIO03	U25
GPIO04	T23
GPIO05	U24
GPIO06	T22
GPIO07	R21
GPIO08	U22
GPIO09	U23
GPIO10	V23
GPIO11	U21
GPIO12	T21
GPIO13	V22
GPIO14	W21
GPIO15	V21
GPIO16 †	AD20
GPIO17 †	AE21
GPIO18 †	AC19
GPIO19 †	AE20
GPIO20 †	AB15
GPIO21 †	AA15
GPIO22 †	AC17
GPIO23 †	AB17
GPIO24 †	AC14
GPIO25 †	AC15
GPIO26 †	AE16
GPIO27 †	AD15
GPIO28 †	AA12
GPIO29 †	AA14
GPIO30 †	AB14
GPIO31 †	AB13
HOUT	G2
LENDIAN †	T25
LRESETNMIEN	F1
LRESET	G4
MCMCLKN	B25
MCMCLKP	C25

**Table 2-21 Terminal Functions  
— By Signal Name  
(Part 7 of 11)**

Signal Name	Ball Number
MCMREFCLKOUTN	F25
MCMREFCLKOUTP	G25
MCMRXFLCLK	B24
MCMRXFLDAT	C24
MCMRXN0	P24
MCMRXN1	M25
MCMRXN2	J25
MCMRXN3	K24
MCMRXP0	N24
MCMRXP1	N25
MCMRXP2	K25
MCMRXP3	L24
MCMRXPCLK	E24
MCMRXPMDAT	D24
MCMTXFCLK	E25
MCMTXFLDAT	D25
MCMTXN0	P22
MCMTXN1	N21
MCMTXN2	K22
MCMTXN3	J21
MCMTXP0	N22
MCMTXP1	M21
MCMTXP2	L22
MCMTXP3	K21
MCMTXPCLK	F24
MCMTXPMDAT	G24
MDCLK	AA16
MDIO	AB16
$\overline{\text{NMI}}$	H1
PCIECLKN	AE15
PCIECLKP	AD14
PCIERXN0	AE12
PCIERXN1	AD10
PCIERXP0	AE11
PCIERXP1	AD11
PCIESSEN ‡	AD20
PCIETXN0	AC12
PCIETXN1	AB11
PCIETXP0	AC11
PCIETXP1	AB10
$\overline{\text{POR}}$	Y18
PTV15	F15

**Table 2-21 Terminal Functions  
— By Signal Name  
(Part 8 of 11)**

Signal Name	Ball Number
RESETFULL	J4
RESETSTAT	H5
RESET	H4
RIORXN0	AE9
RIORXN1	AD8
RIORXN2	AE5
RIORXN3	AD4
RIORXP0	AE8
RIORXP1	AD7
RIORXP2	AE6
RIORXP3	AD5
RIOTXN0	AC9
RIOTXN1	AB7
RIOTXN2	AC5
RIOTXN3	AB4
RIOTXP0	AC8
RIOTXP1	AB8
RIOTXP2	AC6
RIOTXP3	AB5
RSV01	AA22
RSV02	J3
RSV03	H2
RSV04	AC18
RSV05	AB18
RSV06	B23
RSV07	A23
RSV08	Y19
RSV09	C23
RSV0A	G19
RSV0B	G20
RSV10	G22
RSV11	H22
RSV12	Y5
RSV13	Y4
RSV14	F21
RSV15	G21
RSV16	J20
RSV17	AA7
RSV18	AA11
RSV19	AB3
RSV20	F22
RSV21	D23

**Table 2-21 Terminal Functions  
— By Signal Name  
(Part 9 of 11)**

Signal Name	Ball Number
SCL	AA17
SDA	AA18
SGMIIORXN	AE2
SGMIIORXP	AE3
SGMIIOTXN	AC2
SGMIIOTXP	AC3
SPICLK	AA13
SPIDIN	AB14
SPIDOUT	AB13
SPISCS0	AA12
SPISCS1	AA14
SRIOSGMIICLN	AE14
SRIOSGMIICLP	AD13
SYSCLKOUT	AA19
TCK	AD17
TDI	AE17
TDO	AD19
TIMIO	AD20
TIMI1	AE21
TIMOO	AC19
TIMO1	AE20
TMS	AE18
TRST	AB19
UARTCTS	AC17
UARTCTS1	AE16
UARTRTS	AB17
UARTRTS1	AD15
UARTRXD	AB15
UARTRXD1	AC14
UARTTXD	AA15
UARTTXD1	AC15
UPP_2XTXCLK †	M4
UPP_CH0_CLK †	R2
UPP_CH0_ENABLE †	T4
UPP_CH0_START †	R1
UPP_CH0_WAIT †	T1
UPP_CH1_CLK †	T5
UPP_CH1_ENABLE †	U2
UPP_CH1_START †	U1
UPP_CH1_WAIT †	U3
UPPD00 †	U4
UPPD01 †	U5

# TMS320C6655/57

## Fixed and Floating-Point Digital Signal Processor

SPRS814A—August 2012

www.ti.com

**Table 2-21 Terminal Functions  
— By Signal Name  
(Part 10 of 11)**

Signal Name	Ball Number
UPPD02 †	V1
UPPD03 †	V2
UPPD04 †	V3
UPPD05 †	V4
UPPD06 †	W1
UPPD07 †	V5
UPPD08 †	W2
UPPD09 †	Y1
UPPD10 †	W4
UPPD11 †	Y2
UPPD12 †	W5
UPPD13 †	AA1
UPPD14 †	AB1
UPPD15 †	AA2
UPPXD00 †	K1
UPPXD01 †	M3
UPPXD02 †	L2
UPPXD03 †	P5
UPPXD04 †	L1
UPPXD05 †	P4
UPPXD06 †	M2
UPPXD07 †	M1
UPPXD08 †	N2
UPPXD09 †	P3
UPPXD10 †	N1
UPPXD11 †	P2
UPPXD12 †	P1
UPPXD13 †	R5
UPPXD14 †	R3
UPPXD15 †	R4
VCNTL0	E22
VCNTL1	E23
VCNTL2	F23
VCNTL3	G23
VDDR1	M20
VDDR2	AA9
VDDR3	AA3
VDDR4	AA5
VDDT1	K19, L20, M19, N20
VDDT2	W8, W10, W12, Y7, Y9, Y11
VDDT1	M19
VDDT1	N20

**Table 2-21 Terminal Functions  
— By Signal Name  
(Part 11 of 11)**

Signal Name	Ball Number
VDDT2	W8
VDDT2	W10
VDDT2	W12
VDDT2	Y7
VDDT2	Y9
VDDT2	Y11
VREFSSTL	E12
VSS	A1, A10, A25, B6, B17, C2, C4, C8, C13, C15, C19, D21, E11, F3, F6, F8, F10, F12, F14, F16, F18, G7, G9, G11, G13, G15, G17, H6, H8, H10, H12, H14, H16, H18, H20, H21, H23, H25, J7, J9, J11, J13, J15, J17, J19, J22, J23, J24, K2, K6, K8, K10, K12, K14, K16, K18, K20, K23, L7, L9, L11, L13, L15, L17, L19, L21, L23, L25, M6, M8, M10, M12, M14, M16, M18, M22, M23, M24, N4, N7, N9, N11, N13, N15, N17, N19, N23, P6, P8, P10, P12, P14, P16, P18, P20, P21, P23, P25, R7, R8, R9, R11, R13, R15, R17, R19, R22, R24, T2, T6, T8, T10, T12, T14, T16, T18, T20, U7, U9, U11, U13, U15, U17, U19, V6, V8, V10, V12, V14, V16, V18, V20, W3, W7, W9, W11, W13, W15, W17, W19, Y6, Y8, Y10, Y12, Y14, Y16, AA4, AA6, AA8, AA10, AB2, AB6, AB9, AB12, AB20, AB24, AC1, AC4, AC7, AC10, AC13, AD1, AD2, AD3, AD6, AD9, AD12, AD16, AE1, AE4, AE7, AE10, AE13, AE25
<b>End of Table 2-21</b>	



**Table 2-22 Terminal Functions  
— By Ball Number  
(Part 1 of 17)**

Ball Number	Signal Name
A1	VSS
A2	DDRQ53P
A3	DDR20
A4	DDRQ52N
A5	DDR11
A6	DDR10
A7	DDRQ51N
A8	DDRQM0
A9	DDR00
A10	VSS
A11	DDR06
A12	DDRCB03
A13	DDRQ58N
A14	DDRCLKOUTP0
A15	DDRRAS
A16	DDRCKE0
A17	DDRA05
A18	DDRA07
A19	DDRA01
A20	DDRCKE1
A21	DDRCLKOUTP1
A22	DDRCLKP
A23	RSV07
A24	DVDD18
A25	VSS
B1	DDR26
B2	DDRQ53N
B3	DDR17
B4	DDRQ52P
B5	DDR21
B6	VSS
B7	DDRQ51P
B8	DDR15
B9	DDR03
B10	DVDD15
B11	DDR07
B12	DDRCB01
B13	DDRQ58P
B14	DDRCLKOUTN0
B15	DDRCE0
B16	DDRRESET
B17	VSS

**Table 2-22 Terminal Functions  
— By Ball Number  
(Part 2 of 17)**

Ball Number	Signal Name
B18	DDRA04
B19	DDRBA2
B20	DDRA11
B21	DDRCLKOUTN1
B22	DDRCLKN
B23	RSV06
B24	MCMRXFLCLK
B25	MCMCLKN
C1	DDR27
C2	VSS
C3	DDR30
C4	VSS
C5	DDR22
C6	DVDD15
C7	DDR13
C8	VSS
C9	DDR01
C10	DDRQ50N
C11	DDRCB02
C12	DDRQM8
C13	VSS
C14	DDRCET
C15	VSS
C16	DDRA06
C17	DVDD15
C18	DDRBA0
C19	VSS
C20	DDRA13
C21	DVDD15
C22	DDSLRATE0
C23	RSV09
C24	MCMRXFLDAT
C25	MCMCLKP
D1	DDR28
D2	DVDD15
D3	DDR29
D4	DVDD15
D5	DDR23
D6	DDR12
D7	DDR14
D8	DVDD15
D9	DDR02

**Table 2-22 Terminal Functions  
— By Ball Number  
(Part 3 of 17)**

Ball Number	Signal Name
D10	DDRQ50P
D11	DDRCB00
D12	DDRODT1
D13	DVDD15
D14	DDRCAS
D15	DVDD15
D16	DDRA00
D17	DDRBA1
D18	DDRA12
D19	DVDD15
D20	DDRA08
D21	VSS
D22	DDSLRATE1
D23	RSV21
D24	MCMRXPMDAT
D25	MCMTXFLDAT
E1	DDRQM3
E2	DDR24
E3	DDR31
E4	DDR19
E5	DDR16
E6	DDR08
E7	DDRQM1
E8	DDR09
E9	DDR04
E10	DDR05
E11	VSS
E12	VREFSSTL
E13	DDRWE
E14	DDRODT0
E15	DDRA03
E16	DDRA02
E17	DDRA15
E18	DDRA14
E19	DDRA10
E20	DDRA09
E21	DVDD18
E22	VCNTL0
E23	VCNTL1
E24	MCMRXPMCLK
E25	MCMTXFLCLK
F1	LRESETMIEN

# TMS320C6655/57

## Fixed and Floating-Point Digital Signal Processor

SPRS814A—August 2012

**Table 2-22 Terminal Functions  
— By Ball Number  
(Part 4 of 17)**

Ball Number	Signal Name
F2	DDRD25
F3	VSS
F4	DDRD18
F5	DDRDQM2
F6	VSS
F7	DVDD15
F8	VSS
F9	DVDD15
F10	VSS
F11	DVDD15
F12	VSS
F13	DVDD15
F14	VSS
F15	PTV15
F16	VSS
F17	DVDD15
F18	VSS
F19	DVDD15
F20	AVDDA2
F21	RSV14
F22	RSV20
F23	VCNTL2
F24	MCMTXPMCLK
F25	MCMREFCLKOUTN
G1	$\overline{\text{EMIFCE1}}$
G2	HOUT
G3	DVDD18
G4	$\overline{\text{LRESET}}$
G5	CORESEL1
G6	DVDD18
G7	VSS
G8	DVDD15
G9	VSS
G10	DVDD15
G11	VSS
G12	DVDD15
G13	VSS
G14	DVDD15
G15	VSS
G16	DVDD15
G17	VSS
G18	DVDD15

**Table 2-22 Terminal Functions  
— By Ball Number  
(Part 5 of 17)**

Ball Number	Signal Name
G19	RSV0A
G20	RSV0B
G21	RSV15
G22	RSV10
G23	VCNTL3
G24	MCMTXPMDAT
G25	MCMREFCLKOUTP
H1	$\overline{\text{NMI}}$
H2	RSV03
H3	BOOTCOMPLETE
H4	$\overline{\text{RESET}}$
H5	$\overline{\text{RESETSTAT}}$
H6	VSS
H7	DVDD18
H8	VSS
H9	CVDD
H10	VSS
H11	CVDD
H12	VSS
H13	CVDD
H14	VSS
H15	CVDD
H16	VSS
H17	CVDD
H18	VSS
H19	DVDD18
H20	VSS
H21	VSS
H22	RSV11
H23	VSS
H24	DVDD18
H25	VSS
J1	$\overline{\text{EMIFBE0}}$
J2	$\overline{\text{EMIFCE2}}$
J3	RSV02
J4	$\overline{\text{RESETFULL}}$
J5	CORESEL0
J6	DVDD18
J7	VSS
J8	CVDD1
J9	VSS
J10	CVDD

**Table 2-22 Terminal Functions  
— By Ball Number  
(Part 6 of 17)**

Ball Number	Signal Name
J11	VSS
J12	CVDD
J13	VSS
J14	CVDD
J15	VSS
J16	CVDD
J17	VSS
J18	CVDD1
J19	VSS
J20	RSV16
J21	MCMTXN3
J22	VSS
J23	VSS
J24	VSS
J25	MCMRXN2
K1	EMIFA00
K1	UPPX000 +
K2	VSS
K3	DVDD18
K4	$\overline{\text{EMIFWE}}$
K5	$\overline{\text{EMIFCE0}}$
K6	VSS
K7	DVDD18
K8	VSS
K9	CVDD1
K10	VSS
K11	CVDD
K12	VSS
K13	CVDD
K14	VSS
K15	CVDD
K16	VSS
K17	CVDD1
K18	VSS
K19	VDDT1
K20	VSS
K21	MCMTXP3
K22	MCMTXN2
K23	VSS
K24	MCMRXN3
K25	MCMRXP2
L1	EMIFA04

**Table 2-22 Terminal Functions  
— By Ball Number  
(Part 7 of 17)**

Ball Number	Signal Name
L1	UPPXD04 †
L2	EMIFA02
L2	UPPXD02 †
L3	EMIFBET
L4	EMIFOE
L5	EMIFRNW
L6	DVDD18
L7	VSS
L8	CVDD
L9	VSS
L10	CVDD
L11	VSS
L12	CVDD
L13	VSS
L14	CVDD
L15	VSS
L16	CVDD
L17	VSS
L18	CVDD
L19	VSS
L20	VDDT1
L21	VSS
L22	MCMTXP2
L23	VSS
L24	MCMRXP3
L25	VSS
M1	EMIFA07
M1	UPPXD07 †
M2	EMIFA06
M2	UPPXD06 †
M3	EMIFA01
M3	UPPXD01 †
M4	EMIFWAIT1
M4	UPP2TXCLK †
M5	EMIFCE3
M6	VSS
M7	DVDD18
M8	VSS
M9	CVDD
M10	VSS
M11	CVDD
M12	VSS

**Table 2-22 Terminal Functions  
— By Ball Number  
(Part 8 of 17)**

Ball Number	Signal Name
M13	CVDD
M14	VSS
M15	CVDD
M16	VSS
M17	CVDD
M18	VSS
M19	VDDT1
M20	VDDR1
M21	MCMTXP1
M22	VSS
M23	VSS
M24	VSS
M25	MCMRXN1
N1	EMIFA10
N1	UPPXD10 †
N2	EMIFA08
N2	UPPXD08 †
N3	DVDD18
N4	VSS
N5	EMIFWAIT0
N6	DVDD18
N7	VSS
N8	CVDD
N9	VSS
N10	CVDD
N11	VSS
N12	CVDD
N13	VSS
N14	CVDD
N15	VSS
N16	CVDD
N17	VSS
N18	CVDD
N19	VSS
N20	VDDT1
N21	MCMTXN1
N22	MCMTXP0
N23	VSS
N24	MCMRXP0
N25	MCMRXP1
P1	EMIFA12
P1	UPPXD12 †

**Table 2-22 Terminal Functions  
— By Ball Number  
(Part 9 of 17)**

Ball Number	Signal Name
P2	EMIFA11
P2	UPPXD11 †
P3	EMIFA09
P3	UPPXD09 †
P4	EMIFA05
P4	UPPXD05 †
P5	EMIFA03
P5	UPPXD03 †
P6	VSS
P7	DVDD18
P8	VSS
P9	CVDD
P10	VSS
P11	CVDD
P12	VSS
P13	CVDD
P14	VSS
P15	CVDD
P16	VSS
P17	CVDD
P18	VSS
P19	CVDD
P20	VSS
P21	VSS
P22	MCMTXN0
P23	VSS
P24	MCMRXN0
P25	VSS
R1	EMIFA17
R1	UPP_CH0_START †
R2	EMIFA16
R2	UPP_CH0_CLK †
R3	EMIFA14
R3	UPPXD14 †
R4	EMIFA15
R4	UPPXD15 †
R5	EMIFA13
R5	UPPXD13 †
R6	DVDD18
R7	VSS
R8	VSS
R9	VSS

# TMS320C6655/57

## Fixed and Floating-Point Digital Signal Processor

SPRS814A—August 2012



www.ti.com

**Table 2-22 Terminal Functions  
— By Ball Number  
(Part 10 of 17)**

Ball Number	Signal Name
R10	CVDD
R11	VSS
R12	CVDD
R13	VSS
R14	CVDD
R15	VSS
R16	CVDD
R17	VSS
R18	CVDD
R19	VSS
R20	DVDD18
R21	GPIO07
R21	BOOTMODE06 †
R22	VSS
R23	GPIO02
R23	BOOTMODE01 †
R24	VSS
R25	GPIO01
R25	BOOTMODE00 †
T1	EMIFA19
T1	UPP_CH0_WAIT †
T2	VSS
T3	DVDD18
T4	EMIFA18
T4	UPP_CH0_ENABLE †
T5	EMIFA20
T5	UPP_CH1_CLK †
T6	VSS
T7	DVDD18
T8	VSS
T9	CVDD1
T10	VSS
T11	CVDD
T12	VSS
T13	CVDD
T14	VSS
T15	CVDD
T16	VSS
T17	CVDD1
T18	VSS
T19	DVDD18
T20	VSS

**Table 2-22 Terminal Functions  
— By Ball Number  
(Part 11 of 17)**

Ball Number	Signal Name
T21	GPIO12
T21	BOOTMODE11 †
T22	GPIO06
T22	BOOTMODE05 †
T23	GPIO04
T23	BOOTMODE03 †
T24	DVDD18
T25	GPIO00
T25	LENDIAN †
U1	EMIFA21
U1	UPP_CH1_START †
U2	EMIFA22
U2	UPP_CH1_ENABLE †
U3	EMIFA23
U3	UPP_CH1_WAIT †
U4	EMIFD00
U4	UPPD00 †
U5	EMIFD01
U5	UPPD01 †
U6	DVDD18
U7	VSS
U8	CVDD1
U9	VSS
U10	CVDD
U11	VSS
U12	CVDD
U13	VSS
U14	CVDD
U15	VSS
U16	CVDD
U17	VSS
U18	CVDD1
U19	VSS
U20	DVDD18
U21	GPIO11
U21	BOOTMODE10 †
U22	GPIO08
U22	BOOTMODE07 †
U23	GPIO09
U23	BOOTMODE08 †
U24	GPIO05
U24	BOOTMODE04 †

**Table 2-22 Terminal Functions  
— By Ball Number  
(Part 12 of 17)**

Ball Number	Signal Name
U25	GPIO03
U25	BOOTMODE02 †
V1	EMIFD02
V1	UPPD02 †
V2	EMIFD03
V2	UPPD03 †
V3	EMIFD04
V3	UPPD04 †
V4	EMIFD05
V4	UPPD05 †
V5	EMIFD07
V5	UPPD07 †
V6	VSS
V7	DVDD18
V8	VSS
V9	CVDD
V10	VSS
V11	CVDD
V12	VSS
V13	CVDD
V14	VSS
V15	CVDD
V16	VSS
V17	CVDD
V18	VSS
V19	DVDD18
V20	VSS
V21	GPIO15
V21	PCIESSMODE1 †
V22	GPIO13
V22	BOOTMODE12 †
V23	GPIO10
V23	BOOTMODE09 †
V24	EMU00
V25	EMU01
W1	EMIFD06
W1	UPPD06 †
W2	EMIFD08
W2	UPPD08 †
W3	VSS
W4	EMIFD10
W4	UPPD10 †

**Table 2-22 Terminal Functions  
— By Ball Number  
(Part 13 of 17)**

Ball Number	Signal Name
W5	EMIFD12
W5	UPPD12 †
W6	DVDD18
W7	VSS
W8	VDDT2
W9	VSS
W10	VDDT2
W11	VSS
W12	VDDT2
W13	VSS
W14	DVDD18
W15	VSS
W16	DVDD18
W17	VSS
W18	DVDD18
W19	VSS
W20	DVDD18
W21	GPIO14 †
W21	PCISSMODE0 †
W22	EMU08
W23	EMU03
W24	EMU04
W25	EMU02
Y1	EMIFD09
Y1	UPPD09 †
Y2	EMIFD11
Y2	UPPD11 †
Y3	DVDD18
Y4	RSV13
Y5	RSV12
Y6	VSS
Y7	VDDT2
Y8	VSS
Y9	VDDT2
Y10	VSS
Y11	VDDT2
Y12	VSS
Y13	DVDD18
Y14	VSS
Y15	AVDDA1
Y16	VSS
Y17	DVDD18

**Table 2-22 Terminal Functions  
— By Ball Number  
(Part 14 of 17)**

Ball Number	Signal Name
Y18	POR
Y19	RSV08
Y20	CLKX0
Y21	EMU18
Y22	EMU09
Y23	EMU07
Y24	EMU06
Y25	EMU05
AA1	EMIFD13
AA1	UPPD13 †
AA2	EMIFD15
AA2	UPPD15 †
AA3	VDDR3
AA4	VSS
AA5	VDDR4
AA6	VSS
AA7	RSV17
AA8	VSS
AA9	VDDR2
AA10	VSS
AA11	RSV18
AA12	SPISCS0
AA12	GPIO28 †
AA13	SPICLK
AA14	SPISCS1
AA14	GPIO29 †
AA15	UARTTXD
AA15	GPIO21 †
AA16	MDCLK
AA17	SCL
AA18	SDA
AA19	SYSCLKOUT
AA20	FSX0
AA21	CLKR0
AA22	RSV01
AA23	EMU14
AA24	EMU10
AA25	EMU11
AB1	EMIFD14
AB1	UPPD14 †
AB2	VSS
AB3	RSV19

**Table 2-22 Terminal Functions  
— By Ball Number  
(Part 15 of 17)**

Ball Number	Signal Name
AB4	RIOTXN3
AB5	RIOTXP3
AB6	VSS
AB7	RIOTXN1
AB8	RIOTXP1
AB9	VSS
AB10	PCIETXP1
AB11	PCIETXN1
AB12	VSS
AB13	SPIDOUT
AB13	GPIO31 †
AB14	SPIDIN
AB14	GPIO30 †
AB15	UARTRXD
AB15	GPIO20 †
AB16	MDIO
AB17	UARTRTS
AB17	GPIO23 †
AB18	RSV05
AB19	TRST
AB20	VSS
AB21	DR0
AB22	EMU15
AB23	DVDD18
AB24	VSS
AB25	EMU12
AC1	VSS
AC2	SGMII0TXN
AC3	SGMII0TXP
AC4	VSS
AC5	RIOTXN2
AC6	RIOTXP2
AC7	VSS
AC8	RIOTXP0
AC9	RIOTXN0
AC10	VSS
AC11	PCIETXP0
AC12	PCIETXN0
AC13	VSS
AC14	UARTRXD1
AC14	GPIO24 †
AC15	UARTTXD1

# TMS320C6655/57

## Fixed and Floating-Point Digital Signal Processor

SPRS814A—August 2012

[www.ti.com](http://www.ti.com)
**Table 2-22 Terminal Functions  
— By Ball Number  
(Part 16 of 17)**

Ball Number	Signal Name
AC15	GPIO25 †
AC16	DVDD18
AC17	UARTCTS
AC17	GPIO22 †
AC18	RSV04
AC19	TIM00
AC19	GPIO18 †
AC20	DVDD18
AC21	CLKS1
AC22	DX0
AC23	CLKS0
AC24	EMU17
AC25	EMU13
AD1	VSS
AD2	VSS
AD3	VSS
AD4	RIORXN3
AD5	RIORXP3
AD6	VSS
AD7	RIORXP1
AD8	RIORXN1
AD9	VSS
AD10	PCIERXN1
AD11	PCIERXP1
AD12	VSS
AD13	SRIOSGMIICKLP
AD14	PCIECLKP
AD15	UARTTS1
AD15	GPIO27 †
AD16	VSS
AD17	TCK
AD18	CORECLKP
AD19	TDO
AD20	TIM10
AD20	GPIO16 †
AD20	PCIESSEN ‡
AD21	DR1
AD22	FSR1
AD23	CLKR1
AD24	FSR0
AD25	EMU16
AE1	VSS

**Table 2-22 Terminal Functions  
— By Ball Number  
(Part 17 of 17)**

Ball Number	Signal Name
AE2	SGMIIORXN
AE3	SGMIIORXP
AE4	VSS
AE5	RIORXN2
AE6	RIORXP2
AE7	VSS
AE8	RIORXP0
AE9	RIORXN0
AE10	VSS
AE11	PCIERXP0
AE12	PCIERXN0
AE13	VSS
AE14	SRIOSGMIICKLN
AE15	PCIECLKN
AE16	UARTCTS1
AE16	GPIO26 †
AE17	TDI
AE18	TMS
AE19	CORECLKN
AE20	TIMO1
AE20	GPIO19 †
AE21	TIMI1
AE21	GPIO17 †
AE22	DX1
AE23	FSX1
AE24	CLKX1
AE25	VSS
<b>End of Table 2-22</b>	

## 2.9 Development and Support

### 2.9.1 Development Support

In case the customer would like to develop their own features and software on the C6655/57 device, TI offers an extensive line of development tools for the TMS320C6000™ DSP platform, including tools to evaluate the performance of the processors, generate code, develop algorithm implementations, and fully integrate and debug software and hardware modules. The tool's support documentation is electronically available within the Code Composer Studio™ Integrated Development Environment (IDE).

The following products support development of C6000™ DSP-based applications:

- **Software Development Tools:**
  - Code Composer Studio™ Integrated Development Environment (IDE), including Editor C/C++/Assembly Code Generation, and Debug plus additional development tools.
  - Scalable, Real-Time Foundation Software (DSP/BIOS™), which provides the basic run-time target software needed to support any DSP application.
- **Hardware Development Tools:**
  - Extended Development System (XDS™) Emulator (supports C6000™ DSP multiprocessor system debug)
  - EVM (Evaluation Module)

### 2.9.2 Device Support

#### 2.9.2.1 Device and Development-Support Tool Nomenclature

To designate the stages in the product development cycle, TI assigns prefixes to the part numbers of all DSP devices and support tools. Each DSP commercial family member has one of three prefixes: TMX, TMP, or TMS (e.g., TMX320CMH). Texas Instruments recommends two of three possible prefix designators for its support tools: TMDX and TMDS. These prefixes represent evolutionary stages of product development from engineering prototypes (TMX/TMDX) through fully qualified production devices/tools (TMS/TMDS).

Device development evolutionary flow:

- **TMX:** Experimental device that is not necessarily representative of the final device's electrical specifications
- **TMP:** Final silicon die that conforms to the device's electrical specifications but has not completed quality and reliability verification
- **TMS:** Fully qualified production device

Support tool development evolutionary flow:

- **TMDX:** Development-support product that has not yet completed Texas Instruments internal qualification testing.
- **TMDS:** Fully qualified development-support product

TMX and TMP devices and TMDX development-support tools are shipped with the following disclaimer:

**"Developmental product is intended for internal evaluation purposes."**

TMS devices and TMDS development-support tools have been characterized fully, and the quality and reliability of the device have been demonstrated fully. TI's standard warranty applies.

Predictions show that prototype devices (TMX or TMP) have a greater failure rate than the standard production devices. Texas Instruments recommends that these devices not be used in any production system because their expected end-use failure rate still is undefined. Only qualified production devices are to be used.

# TMS320C6655/57

## Fixed and Floating-Point Digital Signal Processor

SPRS814A—August 2012

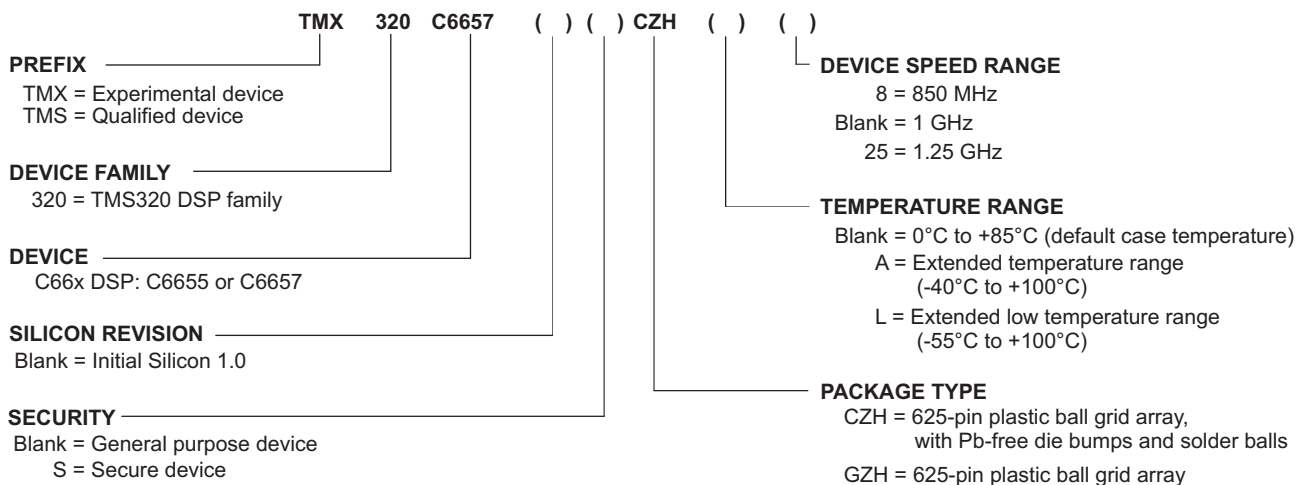
www.ti.com

TI device nomenclature also includes a suffix with the device family name. This suffix indicates the package type (for example, CZH), the temperature range (for example, blank is the default case temperature range), and the device speed range, in Megahertz (for example, blank is 1000 MHz [1 GHz]).

For device part numbers and further ordering information for TMS320C6655/57 in the CZH or GZH package type, see the TI website [www.ti.com](http://www.ti.com) or contact your TI sales representative.

Figure 2-21 provides a legend for reading the complete device name for any C66x KeyStone device.

**Figure 2-21 C66x DSP Device Nomenclature (including the TMS320C6655/57)**





## 2.10 Related Documentation from Texas Instruments

These documents describe the TMS320C6655/57 Fixed and Floating-Point Digital Signal Processor. Copies of these documents are available on the Internet at [www.ti.com](http://www.ti.com)

<a href="#">64-bit Timer (Timer 64) for KeyStone Devices User Guide</a>	SPRUGV5
<a href="#">Bootloader for the C66x DSP User Guide</a>	SPRUGY5
<a href="#">C66x CorePac User Guide</a>	SPRUGW0
<a href="#">C66x CPU and Instruction Set Reference Guide</a>	SPRUGH7
<a href="#">C66x DSP Cache User Guide</a>	SPRUGY8
<a href="#">DDR3 Design Guide for KeyStone Devices</a>	SPRABI1
<a href="#">DDR3 Memory Controller for KeyStone Devices User Guide</a>	SPRUGV8
<a href="#">DSP Power Consumption Summary for KeyStone Devices</a>	SPRABL4
<a href="#">Embedded Trace for KeyStone Devices User Guide</a>	SPRUGZ2
<a href="#">Emulation and Trace Headers Technical Reference</a>	SPRU655
<a href="#">Enhanced Direct Memory Access 3 (EDMA3) for KeyStone Devices User Guide</a>	SPRUGS5
<a href="#">External Memory Interface (EMIF16) for KeyStone Devices User Guide</a>	SPRUGZ3
<a href="#">General Purpose Input/Output (GPIO) for KeyStone Devices User Guide</a>	SPRUGV1
<a href="#">Gigabit Ethernet (GbE) Subsystem for KeyStone Devices User Guide</a>	SPRUGV9
<a href="#">Hardware Design Guide for KeyStone Devices</a>	SPRABI2
<a href="#">HyperLink for KeyStone Devices User Guide</a>	SPRUGW8
<a href="#">Inter Integrated Circuit (I<sup>2</sup>C) for KeyStone Devices User Guide</a>	SPRUGV3
<a href="#">Chip Interrupt Controller (CIC) for KeyStone Devices User Guide</a>	SPRUGW4
<a href="#">Memory Protection Unit (MPU) for KeyStone Devices User Guide</a>	SPRUGW5
<a href="#">Multichannel Buffered Serial Port (McBSP) for KeyStone Devices User Guide</a>	
<a href="#">Multicore Navigator for KeyStone Devices User Guide</a>	SPRUGR9
<a href="#">Multicore Shared Memory Controller (MSMC) for KeyStone Devices User Guide</a>	SPRUGW7
<a href="#">Peripheral Component Interconnect Express (PCIe) for KeyStone Devices User Guide</a>	SPRUGS6
<a href="#">Phase Locked Loop (PLL) for KeyStone Devices User Guide</a>	SPRUGV2
<a href="#">Power Sleep Controller (PSC) for KeyStone Devices User Guide</a>	SPRUGV4
<a href="#">Semaphore2 Hardware Module for KeyStone Devices User Guide</a>	SPRUGS3
<a href="#">Serial Peripheral Interface (SPI) for KeyStone Devices User Guide</a>	SPRUGP2
<a href="#">Serial RapidIO (SRIO) for KeyStone Devices User Guide</a>	SPRUGW1
<a href="#">Turbo Decoder Coprocessor 3 (TCP3d) for KeyStone Devices User Guide</a>	SPRUGS0
<a href="#">Universal Asynchronous Receiver/Transmitter (UART) for KeyStone Devices User Guide</a>	SPRUGP1
<a href="#">Universal Parallel Port (uPP) for KeyStone Devices User Guide</a>	
<a href="#">Using Advanced Event Triggering to Debug Real-Time Problems in High Speed Embedded Microprocessor Systems</a>	SPRA387
<a href="#">Using Advanced Event Triggering to Find and Fix Intermittent Real-Time Bugs</a>	SPRA753
<a href="#">Using IBIS Models for Timing Analysis</a>	SPRA839
<a href="#">Viterbi Coprocessor (VCP2) for KeyStone Devices User Guide</a>	SPRUGV6

### 3 Device Configuration

On the TMS320C6655/57 device, certain device configurations like boot mode and endianness, are selected at device power-on reset. The status of the peripherals (enabled/disabled) is determined after device power-on reset.

#### 3.1 Device Configuration at Device Reset

Table 3-1 describes the device configuration pins. The logic level is latched at power-on reset to determine the device configuration. The logic level on the device configuration pins can be set by using external pullup/pulldown resistors or by using some control device (e.g., FPGA/CPLD) to intelligently drive these pins. When using a control device, care should be taken to ensure there is no contention on the lines when the device is out of reset. The device configuration pins are sampled during power-on reset and are driven after the reset is removed. To avoid contention, the control device must stop driving the device configuration pins of the DSP. And when driving by a control device, the control device must be fully powered and out of reset itself and driving the pins before the DSP can be taken out of reset.

Also, please note that most of the device configuration pins are shared with other function pins (LENDIAN/GPIO[0], BOOTMODE[12:0]/GPIO[13:1], PCIESSMODE[1:0]/GPIO[15:14] and PCIESSSEN/TIMIO), some time must be given following the rising edge of reset in order to drive these device configuration input pins before they assume an output state (those GPIO pins should not become outputs during boot). Another caution that needs to be noted is that systems using TIMIO (pin shared with PCIESSSEN) as a clock input must assure that the clock itself is disabled from the input until after reset is released and a control device is no longer driving that input.



**Note**—If a configuration pin must be routed out from the device and it is not driven (Hi-Z state), the internal pullup/pulldown (IPU/IPD) resistor should not be relied upon. TI recommends the use of an external pullup/pulldown resistor. For more detailed information on pullup/pulldown resistors and situations in which external pullup/pulldown resistors are required, see Section 3.4 “Pullup/Pulldown Resistors” on page 87.

**Table 3-1 TMS320C6655/57 Device Configuration Pins**

Configuration Pin	Pin No.	IPD/IPU <sup>(1)</sup>	Functional Description
LENDIAN <sup>(1) (2)</sup>	T25	IPU	Device endian mode (LENDIAN). 0 = Device operates in big endian mode 1 = Device operates in little endian mode
BOOTMODE[12:0] <sup>(1) (2)</sup>	R25, R3, U25, T23, U24, T22, R21, U22, U23, V23, U21, T21, V22	IPD	Method of boot. Some pins may not be used by bootloader and can be used as general purpose config pins. Refer to the <i>Bootloader for the C66x DSP User Guide</i> in “Related Documentation from Texas Instruments” on page 65 for how to determine the device enumeration ID value.
PCIESSMODE[1:0] <sup>(1) (2)</sup>	W21, V21	IPD	PCIe Subsystem mode selection. 00 = PCIe in end point mode 01 = PCIe legacy end point (support for legacy INTx) 10 = PCIe in root complex mode 11 = Reserved
PCIESSSEN <sup>(1) (2)</sup>	AD20	IPD	PCIe subsystem enable/disable. 0 = PCIE Subsystem is disabled 1 = PCIE Subsystem is enabled

**End of Table 3-1**

1 Internal 100-μA pulldown or pullup is provided for this terminal. In most systems, a 1-kΩ resistor can be used to oppose the IPD/IPU. For more detailed information on pulldown/pullup resistors and situations in which external pulldown/pullup resistors are required, see Section 3.4 “Pullup/Pulldown Resistors” on page 87.

2 These signal names are the secondary functions of these pins.

## 3.2 Peripheral Selection After Device Reset

Several of the peripherals on the TMS320C6655/57 are controlled by the Power Sleep Controller (PSC). By default, the PCIe, SRIO, and HyperLink are held in reset and clock-gated. The memories in these modules are also in a low-leakage sleep mode. Software is required to turn these memories on. The software enables the modules (turns on clocks and de-asserts reset) before these modules can be used.

If one of the above modules is used in the selected ROM boot mode, the ROM code will automatically enable the module.

All other modules come up enabled by default and there is no special software sequence to enable. For more detailed information on the PSC usage, see the *Power Sleep Controller (PSC) for KeyStone Devices User Guide* in [“Related Documentation from Texas Instruments”](#) on page 65.

## 3.3 Device State Control Registers

The TMS320C6655/57 device has a set of registers that are used to provide the status or configure certain parts of its peripherals. These registers are shown in [Table 3-2](#).

**Table 3-2 Device State Control Registers (Part 1 of 4)**

Address Start	Address End	Size	Field	Description
0x02620000	0x02620007	8B	Reserved	
0x02620008	0x02620017	16B	Reserved	
0x02620018	0x0262001B	4B	JTAGID	See section 3.3.3
0x0262001C	0x0262001F	4B	Reserved	
0x02620020	0x02620023	4B	DEVSTAT	See section 3.3.1
0x02620024	0x02620037	20B	Reserved	
0x02620038	0x0262003B	4B	KICK0	See section 3.3.4
0x0262003C	0x0262003F	4B	KICK1	
0x02620040	0x02620043	4B	DSP_BOOT_ADDR0	The boot address for C66x DSP CorePac0
0x02620044	0x02620047	4B	DSP_BOOT_ADDR1	The boot address for C66x DSP CorePac1 (C6657) or Reserved (C6655)
0x02620048	0x0262004B	4B	Reserved	
0x0262004C	0x0262004F	4B	Reserved	
0x02620050	0x02620053	4B	Reserved	
0x02620054	0x02620057	4B	Reserved	
0x02620058	0x0262005B	4B	Reserved	
0x0262005C	0x0262005F	4B	Reserved	
0x02620060	0x026200DF	128B	Reserved	
0x026200E0	0x0262010F	48B	Reserved	
0x02620110	0x02620117	8B	MACID	See section 7.17 “Ethernet Media Access Controller (EMAC)” on page 204
0x02620118	0x0262012F	24B	Reserved	
0x02620130	0x02620133	4B	LRSTNMIPINSTAT_CLR	See section 3.3.6
0x02620134	0x02620137	4B	RESET_STAT_CLR	See section 3.3.8
0x02620138	0x0262013B	4B	Reserved	
0x0262013C	0x0262013F	4B	BOOTCOMPLETE	See section 3.3.9
0x02620140	0x02620143	4B	Reserved	
0x02620144	0x02620147	4B	RESET_STAT	See section 3.3.7
0x02620148	0x0262014B	4B	LRSTNMIPINSTAT	See section 3.3.5

# TMS320C6655/57

## Fixed and Floating-Point Digital Signal Processor

SPRS814A—August 2012



www.ti.com

**Table 3-2 Device State Control Registers (Part 2 of 4)**

Address Start	Address End	Size	Field	Description
0x0262014C	0x0262014F	4B	DEVCFG	See section 3.3.2
0x02620150	0x02620153	4B	PWRSTATECTL	See section 3.3.10
0x02620154	0x02620157	4B	SRIO_SERDES_STS	See "Related Documentation from Texas Instruments" on page 65
0x02620158	0x0262015B	4B	SMGII_SERDES_STS	See "Related Documentation from Texas Instruments" on page 65
0x0262015C	0x0262015F	4B	PCIE_SERDES_STS	
0x02620160	0x02620163	4B	HYPERLINK_SERDES_STS	See "Related Documentation from Texas Instruments" on page 65
0x02620164	0x02620167	4B	Reserved	
0x02620168	0x0262016B	4B	Reserved	
0x0262016C	0x0262016F	4B	UPP_CLOCK	See section 3.3.22
0x02620170	0x02620183	20B	Reserved	
0x02620184	0x0262018F	12B	Reserved	
0x02620190	0x02620193	4B	Reserved	
0x02620194	0x02620197	4B	Reserved	
0x02620198	0x0262019B	4B	Reserved	
0x0262019C	0x0262019F	4B	Reserved	
0x026201A0	0x026201A3	4B	Reserved	
0x026201A4	0x026201A7	4B	Reserved	
0x026201A8	0x026201AB	4B	Reserved	
0x026201AC	0x026201AF	4B	Reserved	
0x026201B0	0x026201B3	4B	Reserved	
0x026201B4	0x026201B7	4B	Reserved	
0x026201B8	0x026201BB	4B	Reserved	
0x026201BC	0x026201BF	4B	Reserved	
0x026201C0	0x026201C3	4B	Reserved	
0x026201C4	0x026201C7	4B	Reserved	
0x026201C8	0x026201CB	4B	Reserved	
0x026201CC	0x026201CF	4B	Reserved	
0x026201D0	0x026201FF	48B	Reserved	
0x02620200	0x02620203	4B	NMIGR0	See section 3.3.11
0x02620204	0x02620207	4B	NMIGR1	See section 3.3.11 (C6657) or Reserved (C6655)
0x02620208	0x0262020B	4B	Reserved	
0x0262020C	0x0262020F	4B	Reserved	
0x02620210	0x02620213	4B	Reserved	
0x02620214	0x02620217	4B	Reserved	
0x02620218	0x0262021B	4B	Reserved	
0x0262021C	0x0262021F	4B	Reserved	
0x02620220	0x0262023F	32B	Reserved	
0x02620240	0x02620243	4B	IPCGR0	See section 3.3.12
0x02620244	0x02620247	4B	IPCGR1	See section 3.3.12 (C6657) or Reserved (C6655)
0x02620248	0x0262024B	4B	Reserved	
0x0262024C	0x0262024F	4B	Reserved	
0x02620250	0x02620253	4B	Reserved	
0x02620254	0x02620257	4B	Reserved	

**Table 3-2 Device State Control Registers (Part 3 of 4)**

Address Start	Address End	Size	Field	Description
0x02620258	0x0262025B	4B	Reserved	
0x0262025C	0x0262025F	4B	Reserved	
0x02620260	0x0262027B	28B	Reserved	
0x0262027C	0x0262027F	4B	IPCGRH	See section 3.3.14
0x02620280	0x02620283	4B	IPCAR0	See section 3.3.13
0x02620284	0x02620287	4B	IPCAR1	See section 3.3.13 (C6657) or Reserved (C6655)
0x02620288	0x0262028B	4B	Reserved	
0x0262028C	0x0262028F	4B	Reserved	
0x02620290	0x02620293	4B	Reserved	
0x02620294	0x02620297	4B	Reserved	
0x02620298	0x0262029B	4B	Reserved	
0x0262029C	0x0262029F	4B	Reserved	
0x026202A0	0x026202BB	28B	Reserved	
0x026202BC	0x026202BF	4B	IPCARH	See section 3.3.15
0x026202C0	0x026202FF	64B	Reserved	
0x02620300	0x02620303	4B	TINPSEL	See section 3.3.16
0x02620304	0x02620307	4B	TOUTPSEL	See section 3.3.17
0x02620308	0x0262030B	4B	RSTMUX0	See section 3.3.18
0x0262030C	0x0262030F	4B	RSTMUX1	See section 3.3.18 (C6657) or Reserved (C6655)
0x02620310	0x02620313	4B	Reserved	
0x02620314	0x02620317	4B	Reserved	
0x02620318	0x0262031B	4B	Reserved	
0x0262031C	0x0262031F	4B	Reserved	
0x02620320	0x02620323	4B	Reserved	
0x02620324	0x02620327	4B	Reserved	
0x02620328	0x0262032B	4B	MAINPLLCTL0	See section 7.5 “Main PLL and PLL Controller” on page 127
0x0262032C	0x0262032F	4B	MAINPLLCTL1	
0x02620330	0x02620333	4B	DDR3PLLCTL	See section 7.6 “DD3 PLL” on page 140
0x02620334	0x02620337	4B	Reserved	
0x02620338	0x0262033B	4B	Reserved	
0x0262033C	0x0262033F	4B	Reserved	
0x02620340	0x02620343	4B	SGMII_SERDES_CFGPLL	See “Related Documentation from Texas Instruments” on page 65
0x02620344	0x02620347	4B	SGMII_SERDES_CFGRX0	
0x02620348	0x0262034B	4B	SGMII_SERDES_CFGTX0	
0x0262034C	0x0262034F	4B	Reserved	
0x02620350	0x02620353	4B	Reserved	
0x02620354	0x02620357	4B	Reserved	
0x02620358	0x0262035B	4B	PCIE_SERDES_CFGPLL	
0x0262035C	0x0262035F	4B	Reserved	

# TMS320C6655/57

## Fixed and Floating-Point Digital Signal Processor

SPRS814A—August 2012

**Table 3-2 Device State Control Registers (Part 4 of 4)**

Address Start	Address End	Size	Field	Description
0x02620360	0x02620363	4B	SRIO_SERDES_CFGPLL	See "Related Documentation from Texas Instruments" on page 65
0x02620364	0x02620367	4B	SRIO_SERDES_CFGRX0	
0x02620368	0x0262036B	4B	SRIO_SERDES_CFGTX0	
0x0262036C	0x0262036F	4B	SRIO_SERDES_CFGRX1	
0x02620370	0x02620373	4B	SRIO_SERDES_CFGTX1	
0x02620374	0x02620377	4B	SRIO_SERDES_CFGRX2	
0x02620378	0x0262037B	4B	SRIO_SERDES_CFGTX2	
0x0262037C	0x0262037F	4B	SRIO_SERDES_CFGRX3	
0x02620380	0x02620383	4B	SRIO_SERDES_CFGTX3	
0x02620384	0x02620387	4B	Reserved	
0x02620388	0x026203AF	28B	Reserved	
0x026203B0	0x026203B3	4B	Reserved	
0x026203B4	0x026203B7	4B	HYPERLINK_SERDES_CFGPLL	See "Related Documentation from Texas Instruments" on page 65
0x026203B8	0x026203BB	4B	HYPERLINK_SERDES_CFGRX0	
0x026203BC	0x026203BF	4B	HYPERLINK_SERDES_CFGTX0	
0x026203C0	0x026203C3	4B	HYPERLINK_SERDES_CFGRX1	
0x026203C4	0x026203C7	4B	HYPERLINK_SERDES_CFGTX1	
0x026203C8	0x026203CB	4B	HYPERLINK_SERDES_CFGRX2	
0x026203CC	0x026203CF	4B	HYPERLINK_SERDES_CFGTX2	
0x026203D0	0x026203D3	4B	HYPERLINK_SERDES_CFGRX3	
0x026203D4	0x026203D7	4B	HYPERLINK_SERDES_CFGTX3	
0x026203D8	0x026203DB	4B	Reserved	
0x026203DC	0x026203F7	28B	Reserved	
0x026203F8	0x026203FB	4B	DEVSPEED	See section 3.3.19
0x026203FC	0x026203FF	4B	Reserved	
0x02620400	0x02620403	4B	PKTDMA_PRI_ALLOC	See section 4.4 "Bus Priorities" on page 95
0x02620404	0x02620467	100B	Reserved	
0x02620468	0x0262057f	280B	Reserved	
0x02620580	0x02620583	4B	PIN_CONTROL_0	See section 3.3.20
0x02620584	0x02620587	4B	PIN_CONTROL_1	See section 3.3.21
0x02620588	0x0262058B	4B	EMAC_UPP_PRI_ALLOC	See section 4.4 "Bus Priorities" on page 95

**End of Table 3-2**

### 3.3.1 Device Status Register

The Device Status Register depicts the device configuration selected upon a power-on reset by either the  $\overline{\text{POR}}$  or  $\overline{\text{RESETFULL}}$  pin. Once set, these bits will remain set until the next power-on reset. The Device Status Register is shown in Figure 3-1 and described in Table 3-3.

**Figure 3-1 Device Status Register**

31	17	16	15	14	13	1	0
Reserved		PCIESSEN	PCIESSMODE[1:0]	BOOTMODE[12:0]		LENDIAN	
R-0		R-x	R/W-xx	R/W-xxxxxxxxxxxx		R-x <sup>(1)</sup>	

Legend: R = Read only; RW = Read/Write; -n = value after reset

1 x indicates the bootstrap value latched via the external pin

**Table 3-3 Device Status Register Field Descriptions**

Bit	Field	Description
31-17	Reserved	Reserved. Read only, writes have no effect.
16	PCIESSEN	PCIe module enable 0 = PCIe module disabled 1 = PCIe module enabled
15-14	PCIESSMODE[1:0]	PCIe Mode selection pins 00b = PCIe in End-point mode 01b = PCIe in Legacy End-point mode (support for legacy INTx) 10b = PCIe in Root complex mode 11b = Reserved
13-1	BOOTMODE[12:0]	Determines the bootmode configured for the device. For more information on bootmode, refer to Section 2.5 “Boot Modes Supported and PLL Settings” on page 25 and see the <i>Bootloader for the C66x DSP User Guide</i> in 2.10 “Related Documentation from Texas Instruments” on page 65
0	LENDIAN	Device Endian mode (LENDIAN) — Shows the status of whether the system is operating in Big Endian mode or Little Endian mode. 0 = System is operating in Big Endian mode 1 = System is operating in Little Endian mode
<b>End of Table 3-3</b>		

### 3.3.2 Device Configuration Register

The Device Configuration Register is one-time writeable through software. The register is reset on all hard resets and is locked after the first write. The Device Configuration Register is shown in [Figure 3-2](#) and described in [Table 3-4](#).

**Figure 3-2 Device Configuration Register (DEVCFG)**

31	Reserved	1	0
			SYSCLKOUTEN
	R-0		R/W-1

Legend: R = Read only; RW = Read/Write; -n = value after reset

**Table 3-4 Device Configuration Register Field Descriptions**

Bit	Field	Description
31-1	Reserved	Reserved. Read only, writes have no effect.
0	SYSCLKOUTEN	SYSCLKOUT Enable 0 = No clock output 1 = Clock output enabled (default)
<b>End of Table 3-4</b>		

### 3.3.3 JTAG ID (JTAGID) Register Description

The JTAG ID register is a read-only register that identifies to the customer the JTAG/Device ID. For the device, the JTAG ID register resides at address location 0x0262 0018. The JTAG ID Register is shown in [Figure 3-3](#) and described in [Table 3-5](#).

**Figure 3-3 JTAG ID (JTAGID) Register**

31	28	27	12	11	1	0	
VARIANT		PART NUMBER			MANUFACTURER		LSB
R-xxxxb		R-1011 1001 0111 1010b			0000 0010 111b		R-1

Legend: RW = Read/Write; R = Read only; -n = value after reset

**Table 3-5 JTAG ID Register Field Descriptions**

Bit	Field	Value	Description
31-28	VARIANT	xxxxb	Variant (4-Bit) value.
27-12	PART NUMBER	1011 1001 0111 1010b	Part Number for boundary scan
11-1	MANUFACTURER	0000 0010 111b	Manufacturer
0	LSB	1b	This bit is read as a 1 for TMS320C6655/57
<b>End of Table 3-5</b>			



**Note**—The value of the VARIANT and PART NUMBER fields depend on the silicon revision. See the Silicon Errata for details.

### 3.3.4 Kicker Mechanism (KICK0 and KICK1) Register

The Bootcfg module contains a kicker mechanism to prevent any spurious writes from changing any of the Bootcfg MMR values. When the kicker is locked (which it is initially after power on reset), none of the Bootcfg MMRs are writable (they are only readable). On the C6655/57, the exception to this are the IPC registers such as IPCGRx and IPCARx. These registers are not protected by the kicker mechanism. This mechanism requires two MMR writes to the KICK0 and KICK1 registers with exact data values before the kicker lock mechanism is un-locked. See [Table 3-2 “Device State Control Registers”](#) on page 67 for the address location. Once released, then all the Bootcfg MMRs having write permissions are writable (the read only MMRs are still read only). The first KICK0 data is 0x83e70b13. The second KICK1 data is 0x95a4f1e0. Writing any other data value to either of these kick MMRs will lock the kicker mechanism and block any writes to Bootcfg MMRs. To ensure protection of all Bootcfg MMRs, software must always re-lock the kicker mechanism after completing the MMR writes.

### 3.3.5 LRESETNMI PIN Status (LRSTNMIPINSTAT) Register

The LRSTNMIPINSTAT Register is created in Boot Configuration to latch the status of  $\overline{\text{LRESET}}$  and  $\overline{\text{NMI}}$  based on CORESEL. The LRESETNMI PIN Status Register is shown and described in the following tables.

**Figure 3-4 LRESETNMI PIN Status Register (LRSTNMIPINSTAT)**

31	18	17	16	15	2	1	0	
Reserved		NMI1/Reserved		NMIO	Reserved		LR1	LR0
R, +0000 0000		R-0		R-0	R, +0000 0000		R-0	R-0

Legend: R = Read only; -n = value after reset;



**Table 3-6 LRESETNMI PIN Status Register (LRSTNMIPINSTAT) Field Descriptions**

Bit	Field	Description
31-18	Reserved	Reserved
17	NMI1/Reserved	CorePac1 in NMI (C6657) or Reserved (C6655)
16	NMI0	CorePac0 in NMI
15-2	Reserved	Reserved
1	LR1	CorePac1 in Local Reset (C6657) or Reserved (C6655)
0	LRO	CorePac0 in Local Reset
<b>End of Table 3-6</b>		

### 3.3.6 LRESETNMI PIN Status Clear (LRSTNMIPINSTAT\_CLR) Register

The LRSTNMIPINSTAT\_CLR Register is used to clear the status of  $\overline{\text{LRESET}}$  and  $\overline{\text{NMI}}$  based on CORESEL. The LRESETNMI PIN Status Clear Register is shown and described in the following tables.

**Figure 3-5 LRESETNMI PIN Status Clear Register (LRSTNMIPINSTAT\_CLR)**

31	18	17	16	15	2	1	0
Reserved	NMI1/Reserved	NMI0	Reserved	LR1/Reserved	LRO		
R, +0000 0000	WC,+0	WC,+0	R, +0000 0000	WC,+0	WC,+0		

Legend: R = Read only; -n = value after reset; WC = Write 1 to Clear

**Table 3-7 LRESETNMI PIN Status Clear Register (LRSTNMIPINSTAT\_CLR) Field Descriptions**

Bit	Field	Description
31-18	Reserved	Reserved
17	NMI1/Reserved	CorePac1 in NMI Clear (C6657) or Reserved (C6655)
16	NMI0	CorePac0 in NMI Clear
15-2	Reserved	Reserved
1	LR1/Reserved	CorePac1 in Local Reset Clear (C6657) or Reserved (C6655)
0	LRO	CorePac0 in Local Reset Clear
<b>End of Table 3-7</b>		

### 3.3.7 Reset Status (RESET\_STAT) Register

The reset status register (RESET\_STAT) captures the status of Local reset (LRx) for each of the cores and also the global device reset (GR). Software can use this information to take different device initialization steps, if desired.

- In case of Local reset: The LRx bits are written as 1 and GR bit is written as 0 only when the CorePac receives an local reset without receiving a global reset.
- In case of Global reset: The LRx bits are written as 0 and GR bit is written as 1 only when a global reset is asserted.

The Reset Status Register is shown and described in the following tables.

**Figure 3-6 Reset Status Register (RESET\_STAT)**

31	30	2	1	0
GR	Reserved		LR1/Reserved	LR0
R, +1	R, + 000 0000 0000 0000 0000 0000		R,+0	R,+0

Legend: R = Read only; -n = value after reset

**Table 3-8 Reset Status Register (RESET\_STAT) Field Descriptions**

Bit	Field	Description
31	GR	Global reset status 0 = Device has not received a global reset. 1 = Device received a global reset.
30-2	Reserved	Reserved.
1	LR1/Reserved	CorePac1 reset status (C6657) or Reserved (C6655) 0 = CorePac1 has not received a local reset. 1 = CorePac1 received a local reset.
0	LR0	CorePac0 reset status 0 = CorePac0 has not received a local reset. 1 = CorePac0 received a local reset.
<b>End of Table 3-8</b>		

### 3.3.8 Reset Status Clear (RESET\_STAT\_CLR) Register

The RESET\_STAT bits can be cleared by writing 1 to the corresponding bit in the RESET\_STAT\_CLR register. The Reset Status Clear Register is shown and described in the following tables.

**Figure 3-7 Reset Status Clear Register (RESET\_STAT\_CLR)**

31	30	2	1	0
GR	Reserved		LR1/Reserved	LR0
RW, +0	R, + 000 0000 0000 0000 0000 0000		RW,+0	RW,+0

Legend: R = Read only; RW = Read/Write; -n = value after reset

**Table 3-9 Reset Status Clear Register (RESET\_STAT\_CLR) Field Descriptions**

Bit	Field	Description
31	GR	Global reset clear bit 0 = Writing a 0 has no effect. 1 = Writing a 1 to the GR bit clears the corresponding bit in the RESET_STAT register.
30-2	Reserved	Reserved.
1	LR1/Reserved	CorePac1 reset clear bit (C6657) or Reserved (C6655) 0 = Writing a 0 has no effect. 1 = Writing a 1 to the LR1 bit clears the corresponding bit in the RESET_STAT register.
0	LR0	CorePac0 reset clear bit 0 = Writing a 0 has no effect. 1 = Writing a 1 to the LR0 bit clears the corresponding bit in the RESET_STAT register.
<b>End of Table 3-9</b>		

### 3.3.9 Boot Complete (BOOTCOMPLETE) Register

The BOOTCOMPLETE register controls the BOOTCOMPLETE pin status. The purpose is to indicate the completion of the ROM booting process. The Boot Complete Register is shown and described in the following tables.

**Figure 3-8 Boot Complete Register (BOOTCOMPLETE)**

31	2	1	0
Reserved		BC1/Reserved	BC0
R, + 0000 0000 0000 0000 0000 0000		RW,+0	RW,+0

Legend: R = Read only; RW = Read/Write; -n = value after reset

**Table 3-10 Boot Complete Register (BOOTCOMPLETE) Field Descriptions**

Bit	Field	Description
31-2	Reserved	Reserved.
1	BC1	CorePac1 boot status (C6657) or Reserved (C6655) 0 = CorePac1 boot NOT complete 1 = CorePac1 boot complete
0	BC0	CorePac0 boot status 0 = CorePac0 boot NOT complete 1 = CorePac0 boot complete
<b>End of Table 3-10</b>		

The BCx bit indicates the boot complete status of the corresponding core. All BCx bits will be sticky bits — that is they can be set only once by the software after device reset and they will be cleared to 0 on all device resets.

Boot ROM code will be implemented such that each core will set its corresponding BCx bit immediately before branching to the predefined location in memory.

### 3.3.10 Power State Control (PWRSTATECTL) Register

The PWRSTATECTL register is controlled by the software to indicate the power-saving mode. ROM code reads this register to differentiate between the various power saving modes. This register is cleared only by POR and will survive all other device resets. See the *Hardware Design Guide for KeyStone Devices* in “[Related Documentation from Texas Instruments](#)” on page 65 for more information. The Power State Control Register is shown in [Figure 3-9](#) and described in [Table 3-11](#).

**Figure 3-9 Power State Control Register (PWRSTATECTL)**

31	3	2	1	0
GENERAL_PURPOSE		HIBERNATION_MODE	HIBERNATION	STANDBY
RW, +0000 0000 0000 0000 0000 0000 0000 0		RW,+0	RW,+0	RW,+0

Legend: RW = Read/Write; -n = value after reset

**Table 3-11 Power State Control Register (PWRSTATECTL) Field Descriptions**

Bit	Field	Description
31-3	GENERAL_PURPOSE	Used to provide a start address for execution out of the hibernation modes. See the Bootloader for the <i>C66x DSP User Guide</i> in “ <a href="#">Related Documentation from Texas Instruments</a> ” on page 65.
2	HIBERNATION_MODE	Indicates whether the device is in hibernation mode 1 or mode 2. 0 = Hibernation mode 1 1 = Hibernation mode 2
1	HIBERNATION	Indicates whether the device is in hibernation mode or not. 0 = Not in hibernation mode 1 = Hibernation mode
0	STANDBY	Indicates whether the device is in standby mode or not. 0 = Not in standby mode 1 = Standby mode

End of Table 3-11

### 3.3.11 NMI Event Generation to CorePac (NMIGRx) Register

NMIGRx registers are used for generating NMI events to the corresponding CorePac. The C6657 has two NMIGRx registers (NMIGR0 and NMIGR1) while the C6655 has only NMIGR0. The NMIGR0 register generates an NMI event to CorePac0, and the NMIGR1 register generates an NMI event to CorePac1. Writing a 1 to the NMIG field generates an NMI pulse. Writing a 0 has no effect and reads return 0 and have no other effect. The NMI Event Generation to CorePac Register is shown in [Figure 3-10](#) and described in [Table 3-12](#).

**Figure 3-10 NMI Generation Register (NMIGRx)**

31	1	0
Reserved		NMIG
R, +0000 0000 0000 0000 0000 0000 0000 000		RW,+0

Legend: RW = Read/Write; -n = value after reset

**Table 3-12 NMI Generation Register (NMIGRx) Field Descriptions**

Bit	Field	Description
31-1	Reserved	Reserved
0	NMIG	NMI pulse generation. Reads return 0 Writes: 0 = No effect 1 = Sends an NMI pulse to the corresponding CorePac — CorePac0 for NMIGR0, etc.
<b>End of Table 3-12</b>		

### 3.3.12 IPC Generation (IPCGRx) Registers

IPCGRx are the IPC interrupt generation registers to facilitate inter CorePac interrupts.

The C6657 has two IPCGRx registers (IPCGR0 and IPCGR1) while the C6655 has only IPCGR0. These registers can be used by external hosts or CorePacs to generate interrupts to other CorePacs. A write of 1 to the IPCG field of the IPCGRx register will generate an interrupt pulse to CorePacx ( $0 \leq x \leq 1$ ).

These registers also provide a *Source ID* facility by which up to 28 different sources of interrupts can be identified. Allocation of source bits to source processor and meaning is entirely based on software convention. The register field descriptions are given in the following tables. Virtually anything can be a source for these registers as this is completely controlled by software. Any master that has access to BOOTCFG module space can write to these registers. The IPC Generation Register is shown in [Figure 3-11](#) and described in [Table 3-13](#).

**Figure 3-11 IPC Generation Registers (IPCGRx)**

31	30	29	28	27	8	7	6	5	4	3	1	0
SRCS27	SRCS26	SRCS25	SRCS24	SRCS23 – SRCS4		SRCS3	SRCS2	SRCS1	SRCS0	Reserved		IPCG
RW +0	RW +0	RW +0	RW +0	RW +0 (per bit field)		RW +0	RW +0	RW +0	RW +0	R, +000		RW +0

Legend: R = Read only; RW = Read/Write; -n = value after reset

**Table 3-13 IPC Generation Registers (IPCGRx) Field Descriptions**

Bit	Field	Description
31-4	SRCSx	Interrupt source indication. Reads return current value of internal register bit. Writes: 0 = No effect 1 = Sets both SRCSx and the corresponding SRCCx.
3-1	Reserved	Reserved
0	IPCG	Inter-DSP interrupt generation. Reads return 0. Writes: 0 = No effect 1 = Creates an Inter-DSP interrupt.
<b>End of Table 3-13</b>		

### 3.3.13 IPC Acknowledgement (IPCARx) Registers

IPCARx are the IPC interrupt-acknowledgement registers to facilitate inter-CorePac core interrupts.

The C6657 has two IPCARx registers (IPCAR0 and IPCAR1) while the C6655 has only IPCAR0. These registers also provide a *Source ID* facility by which up to 28 different sources of interrupts can be identified. Allocation of source bits to source processor and meaning is entirely based on software convention. The register field descriptions are shown in the following tables. Virtually anything can be a source for these registers as this is completely controlled by software. Any master that has access to BOOTCFG module space can write to these registers. The IPC Acknowledgement Register is shown in [Figure 3-12](#) and described in [Table 3-14](#).

**Figure 3-12 IPC Acknowledgement Registers (IPCARx)**

31	30	29	28	27		8	7	6	5	4	3	0
SRCC27	SRCC26	SRCC25	SRCC24	SRCC23 – SRCC4			SRCC3	SRCC2	SRCC1	SRCC0	Reserved	
RW +0	RW +0	RW +0	RW +0	RW +0 (per bit field)			RW +0	RW +0	RW +0	RW +0	R, +0000	

Legend: R = Read only; RW = Read/Write; -n = value after reset

**Table 3-14 IPC Acknowledgement Registers (IPCARx) Field Descriptions**

Bit	Field	Description
31-4	SRCCx	Interrupt source acknowledgement. Reads return current value of internal register bit. Writes: 0 = No effect 1 = Clears both SRCCx and the corresponding SRCSx
3-0	Reserved	Reserved

**End of Table 3-14**

### 3.3.14 IPC Generation Host (IPCGRH) Register

IPCGRH register is provided to facilitate host DSP interrupt. Operation and use of IPCGRH is the same as other IPCGR registers. Interrupt output pulse created by IPCGRH is driven on a device pin, host interrupt/event output (HOUT).

The host interrupt output pulse should be stretched. It should be asserted for 4 bootcfg clock cycles (CPU/6) followed by a deassertion of 4 bootcfg clock cycles. Generating the pulse will result in 8 CPU/6 cycle pulse blocking window. Write to IPCGRH with IPCG bit (bit 0) set will only generate a pulse if they are beyond 8 CPU/6 cycle period. The IPC Generation Host Register is shown in [Figure 3-13](#) and described in [Table 3-15](#).

**Figure 3-13 IPC Generation Registers (IPCGRH)**

31	30	29	28	27		8	7	6	5	4	3	1	0
SRCS27	SRCS26	SRCS25	SRCS24	SRCS23 – SRCS4			SRCS3	SRCS2	SRCS1	SRCS0	Reserved		IPCG
RW +0	RW +0	RW +0	RW +0	RW +0 (per bit field)			RW +0	RW +0	RW +0	RW +0	RW +0	R, +000	RW +0

Legend: R = Read only; RW = Read/Write; -n = value after reset

**Table 3-15 IPC Generation Registers (IPCGRH) Field Descriptions**

Bit	Field	Description
31-4	SRCSx	Interrupt source indication. Reads return current value of internal register bit. Writes: 0 = No effect 1 = Sets both SRCSx and the corresponding SRCCx.
3-1	Reserved	Reserved
0	IPCG	Host interrupt generation. Reads return 0. Writes: 0 = No effect 1 = Creates an interrupt pulse on device pin (host interrupt/event output in HOUT pin)
<b>End of Table 3-15</b>		

### 3.3.15 IPC Acknowledgement Host (IPCARH) Register

IPCARH registers are provided to facilitate host DSP interrupt. Operation and use of IPCARH is the same as other IPCAR registers. The IPC Acknowledgement Host Register is shown in [Figure 3-14](#) and described in [Table 3-16](#).

**Figure 3-14 IPC Acknowledgement Register (IPCARH)**

31	30	29	28	27	8	7	6	5	4	3	0
SRCC27	SRCC26	SRCC25	SRCC24	SRCC23 – SRCC4	SRCC3	SRCC2	SRCC1	SRCC0	Reserved		
RW +0	RW +0	RW +0	RW +0	RW +0 (per bit field)	RW +0	RW +0	RW +0	RW +0	RW +0	R, +0000	

Legend: R = Read only; RW = Read/Write; -n = value after reset

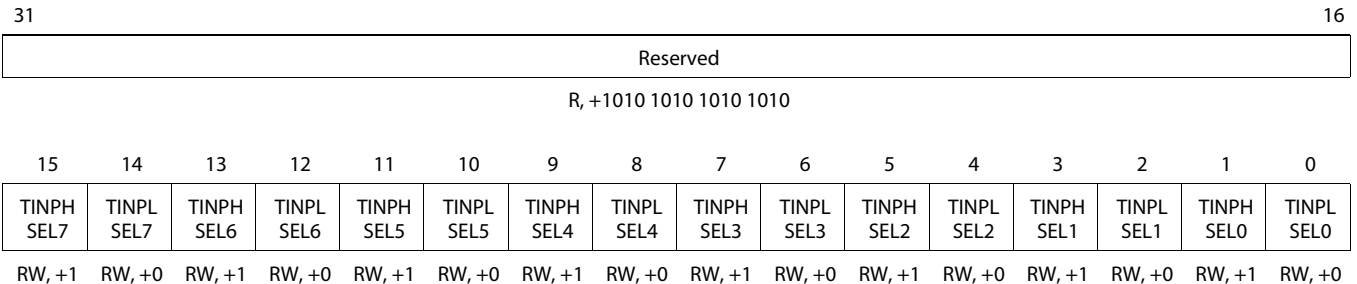
**Table 3-16 IPC Acknowledgement Register (IPCARH) Field Descriptions**

Bit	Field	Description
31-4	SRCCx	Interrupt source acknowledgement. Reads return current value of internal register bit. Writes: 0 = No effect 1 = Clears both SRCCx and the corresponding SRCSx
3-0	Reserved	Reserved
<b>End of Table 3-16</b>		

### 3.3.16 Timer Input Selection Register (TINPSEL)

Timer input selection is handled within the control register TINPSEL. The Timer Input Selection Register is shown in Figure 3-15 and described in Table 3-17

**Figure 3-15 Timer Input Selection Register (TINPSEL)**



Legend: R = Read only; RW = Read/Write; -n = value after reset

**Table 3-17 Timer Input Selection Field Description (TINPSEL) (Part 1 of 2)**

Bit	Field	Description
31-16	Reserved	Reserved
15	TINPHSEL7	Input select for TIMER7 high. 0 = TIMIO 1 = TIMI1
14	TINPLSEL7	Input select for TIMER7 low. 0 = TIMIO 1 = TIMI1
13	TINPHSEL6	Input select for TIMER6 high. 0 = TIMIO 1 = TIMI1
12	TINPLSEL6	Input select for TIMER6 low. 0 = TIMIO 1 = TIMI1
11	TINPHSEL5	Input select for TIMER5 high. 0 = TIMIO 1 = TIMI1
10	TINPLSEL5	Input select for TIMER5 low. 0 = TIMIO 1 = TIMI1
9	TINPHSEL4	Input select for TIMER4 high. 0 = TIMIO 1 = TIMI1
8	TINPLSEL4	Input select for TIMER4 low. 0 = TIMIO 1 = TIMI1
7	TINPHSEL3	Input select for TIMER3 high. 0 = TIMIO 1 = TIMI1
6	TINPLSEL3	Input select for TIMER3 low. 0 = TIMIO 1 = TIMI1
5	TINPHSEL2	Input select for TIMER2 high. 0 = TIMIO 1 = TIMI1



**Table 3-17 Timer Input Selection Field Description (TINPSEL) (Part 2 of 2)**

Bit	Field	Description
4	TINPLSEL2	Input select for TIMER2 low. 0 = TIMI0 1 = TIMI1
3	TINPHSEL1	Input select for TIMER1 high. 0 = TIMI0 1 = TIMI1
2	TINPLSEL1	Input select for TIMER1 low. 0 = TIMI0 1 = TIMI1
1	TINPHSEL0	Input select for TIMER0 high. 0 = TIMI0 1 = TIMI1
0	TINPLSEL0	Input select for TIMER0 low. 0 = TIMI0 1 = TIMI1
<b>End of Table 3-17</b>		

### 3.3.17 Timer Output Selection Register (TOUTPSEL)

The timer output selection is handled within the control register TOUTSEL. The Timer Output Selection Register is shown in Figure 3-16 and described in Table 3-18.

**Figure 3-16 Timer Output Selection Register (TOUTPSEL)**

31		10	9	5	4	0
Reserved			TOUTPSEL1		TOUTPSEL0	
R,+0000000000000000000000			RW,+00001		RW,+00000	

Legend: R = Read only; RW = Read/Write; -n = value after reset

**Table 3-18 Timer Output Selection Field Description (TOUTPSEL)**

Bit	Field	Description
31-10	Reserved	Reserved
9-5	TOUTPSEL1	Output select for TIMO1 0x0: TOUTL0                          0x9: TOUTH4 0x1: TOUTH0                         0xA: TOUTL5 0x2: TOUTL1                         0xB: TOUTH5 0x3: TOUTH1                         0xC: TOUTL6 0x4: TOUTL2                         0xD: TOUTH6 0x5: TOUTH2                         0xE: TOUTL7 0x6: TOUTL3                         0xF: TOUTH7 0x7: TOUTH3                         0x10 to 0x1F: Reserved 0x8: TOUTL4
4-0	TOUTPSEL0	Output select for TIMO0 0x0: TOUTL0                         0x9: TOUTH4 0x1: TOUTH0                         0xA: TOUTL5 0x2: TOUTL1                         0xB: TOUTH5 0x3: TOUTH1                         0xC: TOUTL6 0x4: TOUTL2                         0xD: TOUTH6 0x5: TOUTH2                         0xE: TOUTL7 0x6: TOUTL3                         0xF: TOUTH7 0x7: TOUTH3                         0x10 to 0x1F: Reserved 0x8: TOUTL4
<b>End of Table 3-18</b>		

### 3.3.18 Reset Mux (RSTMUXx) Register

The software controls the Reset Mux block through the reset multiplex registers using RSTMUX0 through RSTMUX1 for each of the two CorePacs on the C6657. The C6655 has only RSTMUX0. These registers are located in Bootcfg memory space. The Reset Mux Register is shown in Figure 3-17 and described in Table 3-19.

**Figure 3-17 Reset Mux Register RSTMUXx**

31	10	9	8	7	5	4	3	1	0
Reserved		EVTSTATCLR	Reserved	DELAY		EVTSTAT	OMODE		LOCK
R, +0000 0000 0000 0000 0000 00		RC, +0	R, +0	RW, +100		R, +0	RW, +000		RW, +0

Legend: R = Read only; RW = Read/Write; -n = value after reset; RC = Read only and write 1 to clear

**Table 3-19 Reset Mux Register Field Descriptions**

Bit	Field	Description
31-10	Reserved	Reserved
9	EVTSTATCLR	Clear event status 0 = Writing 0 has no effect 1 = Writing 1 clears the EVTSTAT bit
8	Reserved	Reserved
7-5	DELAY	Delay cycles between NMI & local reset 000b = 256 CPU/6 cycles delay between NMI & local reset, when OMODE = 100b 001b = 512 CPU/6 cycles delay between NMI & local reset, when OMODE=100b 010b = 1024 CPU/6 cycles delay between NMI & local reset, when OMODE=100b 011b = 2048 CPU/6 cycles delay between NMI & local reset, when OMODE=100b 100b = 4096 CPU/6 cycles delay between NMI & local reset, when OMODE=100b (Default) 101b = 8192 CPU/6 cycles delay between NMI & local reset, when OMODE=100b 110b = 16384 CPU/6 cycles delay between NMI & local reset, when OMODE=100b 111b = 32768 CPU/6 cycles delay between NMI & local reset, when OMODE=100b
4	EVTSTAT	Event status. 0 = No event received (Default) 1 = WD timer event received by Reset Mux block
3-1	OMODE	Timer event operation mode 000b = WD timer event input to the reset mux block does not cause any output event (default) 001b = Reserved 010b = WD timer event input to the reset mux block causes local reset input to CorePac 011b = WD timer event input to the reset mux block causes NMI input to CorePac 100b = WD timer event input to the reset mux block causes NMI input followed by local reset input to CorePac. Delay between NMI and local reset is set in DELAY bit field. 101b = WD timer event input to the reset mux block causes device reset to C6655/57 110b = Reserved 111b = Reserved
0	LOCK	Lock register fields 0 = Register fields are not locked (default) 1 = Register fields are locked until the next timer reset

End of Table 3-19

### 3.3.19 Device Speed (DEVSPEED) Register

The Device Speed Register indicates the device speed grade. The Device Speed Register is shown in [Figure 3-18](#) and described in [Table 3-20](#).

**Figure 3-18 Device Speed Register (DEVSPEED)**

31	30	23	22	0
Reserved	DEVSPEED		Reserved	
R-n	R-n		R-n	

Legend: R = Read only; RW = Read/Write; -n = value after reset

**Table 3-20 Device Speed Register Field Descriptions**

Bit	Field	Description
31	Reserved	Reserved. Read only
30-23	DEVSPEED	Indicates the speed of the device (Read Only) 1xxx xxxxb = 850 MHz 01xx xxxxb = 1000 MHz 001x xxxxb = 1250 MHz 0001 xxxxb = Reserved 0000 1xxxb = Reserved 0000 01xxb = 1250 MHz 0000 001xb = 1000 MHz 0000 0001b = 850 MHz 0000 0000b = 850 MHz
22-0	Reserved	Reserved. Read only
<b>End of Table 3-20</b>		

### 3.3.20 Pin Control 0 (PIN\_CONTROL\_0) Register

The Pin Control 0 Register controls the pin muxing between GPIO[16:31] and TIMER / UART / SPI pins. The Pin Control 0 Register is shown in [Figure 3-19](#) and described in [Table 3-21](#).

**Figure 3-19 Pin Control 0 Register (PIN\_CONTROL\_0)**

31	30	29	28	27	26	25	24
GPIO31_SPIDOU T_MUX	GPIO30_SPIDIN_ MUX	GPIO29_SPICS1_ MUX	GPIO28_SPICS0_ MUX	GPIO27_UARTRT S1_MUX	GPIO26_UARTCT S1_MUX	GPIO25_UARTTX 1_MUX	GPIO24_UARTRX 1_MUX
RW-0	RW-0	RW-0	RW-0	RW-0	RW-0	RW-0	RW-0
23	22	21	20	19	18	17	16
GPIO23_UARTRT S0_MUX	GPIO22_UARTCT S0_MUX	GPIO21_UARTTX 0_MUX	GPIO20_UARTRX 0_MUX	GPIO19_TIMO1_ MUX	GPIO18_TIMO0_ MUX	GPIO17_TIMI1_ MUX	GPIO16_TIMI0_ MUX
RW-0	RW-0	RW-0	RW-0	RW-0	RW-0	RW-0	RW-0
15	Reserved						0
R-0							

Legend: R = Read only; RW = Read/Write; -n = value after reset

**Table 3-21 Pin Control 0 Register Field Descriptions**

Bit	Field	Description
31	GPIO31_SPIDOUT_MUX	SPI or GPIO mux control 0 = SPIDOUT pin enabled 1 = GPIO31 pin enabled
30	GPIO30_SPIDIN_MUX	SPI or GPIO mux control 0 = SPIDIN pin enabled 1 = GPIO30 pin enabled
29	GPIO29_SPICS1_MUX	SPI or GPIO mux control 0 = SPICS1 pin enabled 1 = GPIO29 pin enabled
28	GPIO28_SPICS0_MUX	SPI or GPIO mux control 0 = SPICS0 pin enabled 1 = GPIO28 pin enabled
27	GPIO27_UARTRTS1_MUX	UART or GPIO mux control 0 = UARTRTS1 pin enabled 1 = GPIO27 pin enabled
26	GPIO26_UARTCTS1_MUX	UART or GPIO mux control 0 = UARTCTS1 pin enabled 1 = GPIO26 pin enabled
25	GPIO25_UARTTX1_MUX	UART or GPIO mux control 0 = UARTTX1 pin enabled 1 = GPIO25 pin enabled
24	GPIO24_UARTRX1_MUX	UART or GPIO mux control 0 = UARTRX1 pin enabled 1 = GPIO24 pin enabled
23	GPIO23_UARTRTS0_MUX	UART or GPIO mux control 0 = UARTRTS0 pin enabled 1 = GPIO23 pin enabled
22	GPIO22_UARTCTS0_MUX	UART or GPIO mux control 0 = UARTCTS0 pin enabled 1 = GPIO22 pin enabled
21	GPIO21_UARTTX0_MUX	UART or GPIO mux control 0 = UARTTX0 pin enabled 1 = GPIO21 pin enabled
20	GPIO20_UARTRX0_MUX	UART or GPIO mux control 0 = UARTRX0 pin enabled 1 = GPIO20 pin enabled
19	GPIO19_TIMO1_MUX	TIMER or GPIO mux control 0 = TIMO1 pin enabled 1 = GPIO19 pin enabled
18	GPIO18_TIMO0_MUX	TIMER or GPIO mux control 0 = TIMO0 pin enabled 1 = GPIO18 pin enabled
17	GPIO17_TIMI1_MUX	TIMER or GPIO mux control 0 = TIMI1 pin enabled 1 = GPIO17 pin enabled
16	GPIO16_TIMIO_MUX	TIMER or GPIO mux control 0 = TIMIO pin enabled 1 = GPIO16 pin enabled
15-0	Reserved	Reserved
<b>End of Table 3-21</b>		

### 3.3.21 Pin Control 1 (PIN\_CONTROL\_1) Register

The Pin Control 0 Register controls the pin muxing between uPP and EMIF16 pins. The Pin Control 1 Register is shown in [Figure 3-20](#) and described in [Table 3-22](#).

**Figure 3-20 Pin Control 1 Register (PIN\_CONTROL\_1)**

31		1	0
Reserved		UPP_EMIF16_MUX	
R-0		RW-0	

Legend: R = Read only; RW = Read/Write; -n = value after reset

**Table 3-22 Pin Control 1 Register Field Descriptions**

Bit	Field	Description
31-1	Reserved	Reserved
0	UPP_EMIF_MUX	uPP or EMIF16 mux control 0 = EMIF16 pins enabled 1 = uPP pins enabled
<b>End of Table 3-22</b>		

### 3.3.22 uPP Clock Source (UPP\_CLOCK) Register

The uPP Clock Source Register controls whether the uPP transmit clock is internally or externally sourced. The uPP Clock Source Register is shown in [Figure 3-21](#) and described in [Table 3-23](#).

**Figure 3-21 Pin Control 1 Register (PIN\_CONTROL\_1)**

31		1	0
Reserved		UPP_TX_CLKSRC	
R-0		RW-0	

Legend: R = Read only; RW = Read/Write; -n = value after reset

**Table 3-23 Pin Control 1 Register Field Descriptions**

Bit	Field	Description
31-1	Reserved	Reserved
0	UPP_TX_CLKSRC	uPP clock source selection 0 = from internal SYSCLK4 (CPU/3) 1 = from external UPP_2TXCLK pin
<b>End of Table 3-23</b>		

### 3.4 Pullup/Pulldown Resistors

Proper board design should ensure that input pins to the device always be at a valid logic level and not floating. This may be achieved via pullup/pulldown resistors. The device features internal pullup (IPU) and internal pulldown (IPD) resistors on most pins to eliminate the need, unless otherwise noted, for external pullup/pulldown resistors.

An external pullup/pulldown resistor needs to be used in the following situations:

- **Device Configuration Pins:** If the pin is both routed out and are not driven (in Hi-Z state), an external pullup/pulldown resistor must be used, even if the IPU/IPD matches the desired value/state.
- **Other Input Pins:** If the IPU/IPD does not match the desired value/state, use an external pullup/pulldown resistor to pull the signal to the opposite rail.

For the device configuration pins (listed in [Table 3-1](#)), if they are both routed out and are not driven (in Hi-Z state), it is strongly recommended that an external pullup/pulldown resistor be implemented. Although, internal pullup/pulldown resistors exist on these pins and they may match the desired configuration value, providing external connectivity can help ensure that valid logic levels are latched on these device configuration pins. In addition, applying external pullup/pulldown resistors on the device configuration pins adds convenience to the user in debugging and flexibility in switching operating modes.

Tips for choosing an external pullup/pulldown resistor:

- Consider the total amount of current that may pass through the pullup or pulldown resistor. Make sure to include the leakage currents of all the devices connected to the net, as well as any internal pullup or pulldown resistors.
- Decide a target value for the net. For a pulldown resistor, this should be below the lowest  $V_{IL}$  level of all inputs connected to the net. For a pullup resistor, this should be above the highest  $V_{IH}$  level of all inputs on the net. A reasonable choice would be to target the  $V_{OL}$  or  $V_{OH}$  levels for the logic family of the limiting device; which, by definition, have margin to the  $V_{IL}$  and  $V_{IH}$  levels.
- Select a pullup/pulldown resistor with the largest possible value that can still ensure that the net will reach the target pulled value when maximum current from all devices on the net is flowing through the resistor. The current to be considered includes leakage current plus, any other internal and external pullup/pulldown resistors on the net.
- For bidirectional nets, there is an additional consideration that sets a lower limit on the resistance value of the external resistor. Verify that the resistance is small enough that the weakest output buffer can drive the net to the opposite logic level (including margin).
- Remember to include tolerances when selecting the resistor value.
- For pullup resistors, also remember to include tolerances on the  $DV_{DD}$  rail.

For most systems:

- A 1-k $\Omega$  resistor can be used to oppose the IPU/IPD while meeting the above criteria. Users should confirm this resistor value is correct for their specific application.
- A 20-k $\Omega$  resistor can be used to compliment the IPU/IPD on the device configuration pins while meeting the above criteria. Users should confirm this resistor value is correct for their specific application.

For more detailed information on input current ( $I_I$ ), and the low-level/high-level input voltages ( $V_{IL}$  and  $V_{IH}$ ) for the TMS320C6655/57 device, see Section 6.3 “[Electrical Characteristics](#)” on page 106.

To determine which pins on the device include internal pullup/pulldown resistors, see Table 2-19 “[Terminal Functions — Signals and Control by Function](#)” on page 39.

## 4 System Interconnect

On the TMS320C6655/57 device, the C66x CorePacs, the EDMA3 transfer controller, and the system peripherals are interconnected through the TeraNet, which is a non-blocking switch fabric enabling fast and contention-free internal data movement. The TeraNet allows for low-latency, concurrent data transfers between master peripherals and slave peripherals. The TeraNet also allows for seamless arbitration between the system masters when accessing system slaves.

### 4.1 Internal Buses and Switch Fabrics

Two types of buses exist in the device: data buses and configuration buses. Some peripherals have both a data bus and a configuration bus interface, while others have only one type of interface. Further, the bus interface width and speed varies from peripheral to peripheral. Configuration buses are mainly used to access the register space of a peripheral and the data buses are used mainly for data transfers.

The C66x CorePacs, the EDMA3 traffic controller, and the various system peripherals can be classified into two categories: masters and slaves. Masters are capable of initiating read and write transfers in the system and do not rely on the EDMA3 for their data transfers. Slaves, on the other hand, rely on the masters to perform transfers to and from them. Examples of masters include the EDMA3 traffic controller, SRIO, and PCI Express. Examples of slaves include the SPI, UART, and I<sup>2</sup>C.

The masters and slaves in the device are communicating through the TeraNet (switch fabric). The device contains two switch fabrics. The data switch fabric (data TeraNet) and the configuration switch fabric (configuration TeraNet). The data TeraNet, is a high-throughput interconnect mainly used to move data across the system. The data TeraNet connects masters to slaves via data buses. The configuration TeraNet, is mainly used to access peripheral registers. The configuration TeraNet connects masters to slaves via configuration buses. Note that the data TeraNet also connects to the configuration TeraNet. For more details see 4.2 [“Switch Fabric Connections Matrix”](#) on page 89.



## 4.2 Switch Fabric Connections Matrix

The tables below list the master and slave end point connections.

Intersecting cells may contain one of the following:

- Y — There is a connection between this master and that slave.
- - — There is NO connection between this master and that slave.
- n — A numeric value indicates that the path between this master and that slave goes through bridge n.

**Table 4-1 Switch Fabric Connection Matrix Section 1**

Masters	Slaves																								
	CorePac0_SDMA	CorePac1_SDMA	PCle0_Slave	Boot_ROM	SPI	EMIF16	Mcbasp0_FIFO_Data	Mcbasp1_FIFO_Data	QM_Slave	HyperLink_Slave	MSMC_SES	MSMC_SMS	STM	VCP2(0-1)	TCP3d	TETB_D	TETB0	TETB1 (C6657 Only)	VCP2_Cfg	TCP3d	EDMA3CC	EDMA3TC(0-3)	Semaphore	QMSS_CFG	
HyperLink_Master	Y	Y	Y	Y	Y	Y	1,4	1,4	1	-	Y	Y	-	Y	Y	-	-	-	1	1	1	1	1	1	1
EDMA3CC_TC0_RD	Y	Y	Y	Y	Y	Y	-	-	-	Y	Y	Y	-	Y	Y	1	-	-	1	1	1	1	1	1	1
EDMA3CC_TC0_WR	Y	Y	Y	-	Y	Y	-	-	-	Y	Y	Y	1	Y	Y	-	-	-	1	1	1	1	1	1	1
EDMA3CC_TC1_RD	Y	Y	Y	Y	Y	Y	2,4	2,4	-	Y	Y	Y	-	-	Y	-	2	2	-	-	2	2	-	-	-
EDMA3CC_TC1_WR	Y	Y	Y	-	Y	Y	2,4	2,4	-	Y	Y	Y	-	-	Y	-	-	-	-	-	2	2	-	-	-
EDMA3CC_TC2_RD	Y	Y	Y	Y	Y	Y	1,4	1,4	-	Y	Y	Y	-	Y	Y	1	-	-	1	1	1	1	1	1	1
EDMA3CC_TC2_WR	Y	Y	Y	-	Y	Y	1,4	1,4	-	Y	Y	Y	-	Y	Y	-	-	-	1	1	1	1	1	1	1
EDMA3CC_TC3_RD	Y	Y	Y	Y	Y	Y	-	-	2	Y	Y	Y	-	-	-	-	-	-	-	-	2	2	-	-	-
EDMA3CC_TC3_WR	Y	Y	Y	-	Y	Y	-	-	2	Y	Y	Y	2	-	-	-	-	-	-	-	2	2	-	-	-
SRIO packet DMA	Y	Y	-	-	-	-	-	-	1	Y	Y	Y	-	-	-	-	-	-	-	-	-	-	-	-	-
SRIO_Master	Y	Y	-	-	Y	Y	1,4	1,4	1	Y	Y	Y	1	Y	Y	1	1	1	1	1	1	1	1	1	1
PCle_Master	Y	Y	-	-	Y	Y	1,4	1,4	1	Y	Y	Y	1	Y	Y	1	1	1	1	1	1	1	1	1	1
EMAC	3	3	-	-	-	-	-	-	-	3	3	3	-	-	-	-	-	-	-	-	-	-	-	-	-
MSMC_Data_Master	Y	Y	Y	Y	Y	Y	1,4	1,4	1	Y	-	-	1	Y	Y	-	-	-	-	-	-	-	-	-	-
QM packet DMA	Y	Y	-	-	-	-	-	-	1	Y	Y	Y	-	-	-	-	-	-	-	-	-	-	-	-	-
QM_Second	Y	Y	-	Y	Y	Y	-	-	1	Y	Y	Y	-	-	-	-	-	-	-	-	-	-	-	-	-
DAP_Master	Y	Y	Y	Y	Y	Y	1,4	1,4	1	Y	Y	Y	1	Y	Y	1	1	1	1	1	1	1	1	1	1
CorePac0_CFG	-	-	-	-	-	-	-	-	-	-	-	-	-	-	-	-	-	-	-	-	-	-	Y	-	-
CorePac1_CFG (C6657 Only)	-	-	-	-	-	-	-	-	-	-	-	-	-	-	-	Y	Y	Y	Y	Y	Y	Y	Y	Y	Y
Tracer_Master	-	-	-	-	-	-	-	-	-	-	-	-	1	-	-	Y	Y	Y	Y	Y	Y	Y	Y	Y	Y
UPP	3	3	-	-	-	-	-	-	-	3	3	3	-	-	-	-	-	-	-	-	-	-	-	-	-

End of Table 4-1

# TMS320C6655/57 Fixed and Floating-Point Digital Signal Processor

SPRS814A—August 2012



www.ti.com

**Table 4-2 Switch Fabric Connection Matrix Section 2**

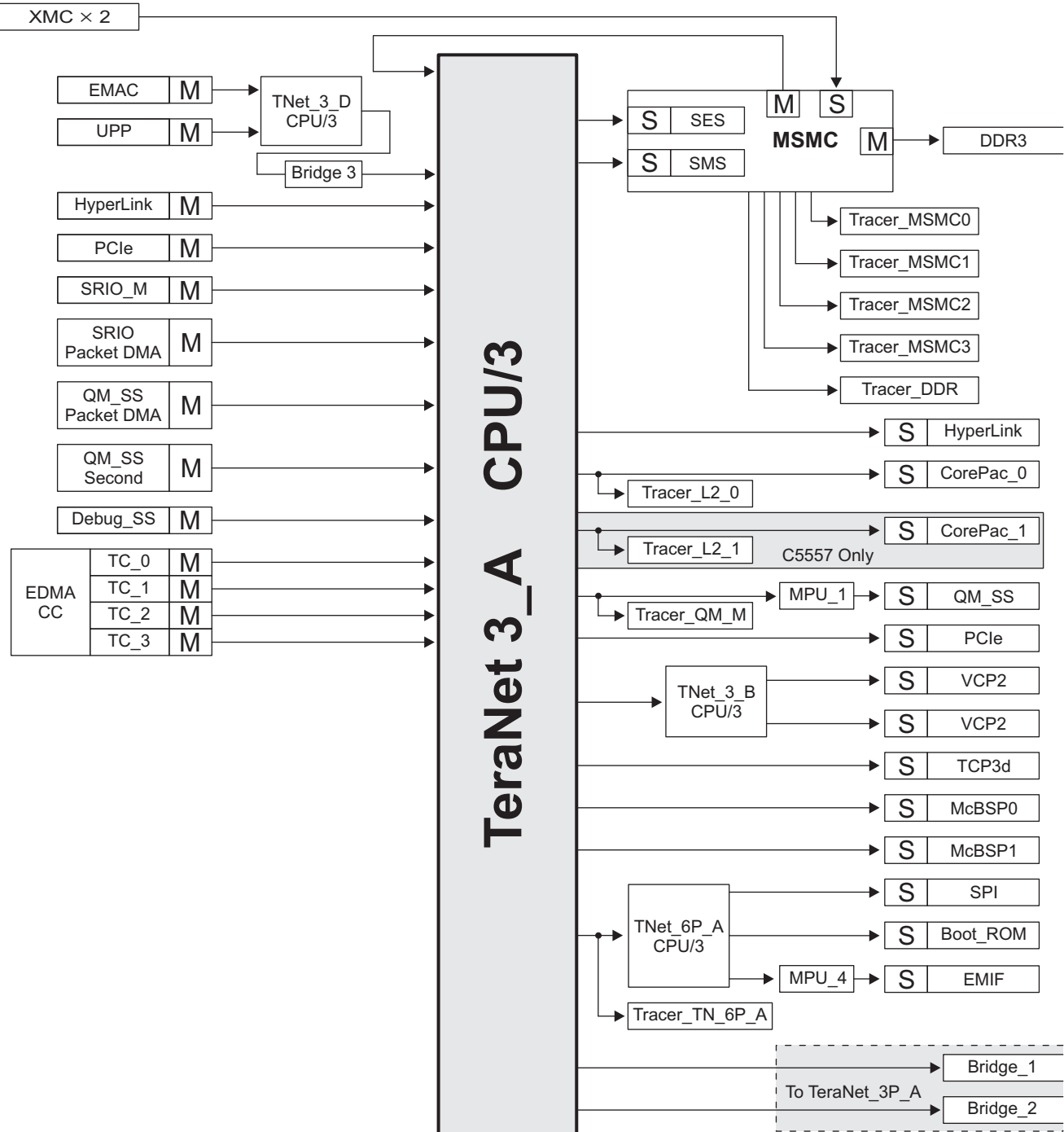
Masters	Slaves																				
	Tracer	SRIO_CFG (C6655/57 Only)	Timer	GPIO	I <sup>2</sup> C	SEC_CTL	SEC_KEY_MGR	Efuse	Boot_CFG	PSC	PLL	CIC	MPU0-3	MPU4	Debug_SS_CFG	SmartReflex	UART_CFG (0-1)	McBSP_CFG(0-1)	McBSP_FIFO_CFG(0-1)	EMAC_CFG	UPP_CFG
HyperLink_Master	1	1	1,4	1,4	1,4	1,4	1,4	1,4	1,4	1,4	1,4	1,4	1	1,4	1,4	1,4	1,4	1,4	1,4	1,4	1
EDMA3CC_TC0_RD	1	1	1,4	1,4	1,4	1,4	1,4	-	1,4	1,4	1,4	1,4	1	1,4	-	-	1,4	1,4	1,4	1,4	1
EDMA3CC_TC0_WR	1	1	1,4	1,4	1,4	1,4	1,4	-	1,4	1,4	1,4	1,4	1	1,4	-	-	1,4	1,4	1,4	1,4	1
EDMA3CC_TC1_RD	-	-	-	-	-	-	-	-	-	-	-	-	-	-	-	-	-	-	-	-	-
EDMA3CC_TC1_WR	-	-	-	-	-	-	-	-	-	-	-	-	-	-	-	-	-	-	-	-	-
EDMA3CC_TC2_RD	1	1	1,4	1,4	1,4	1,4	1,4	-	1,4	1,4	1,4	1,4	1	1,4	-	-	1,4	1,4	1,4	1,4	1
EDMA3CC_TC2_WR	1	1	1,4	1,4	1,4	1,4	1,4	-	1,4	1,4	1,4	1,4	1	1,4	-	-	1,4	1,4	1,4	1,4	1
EDMA3CC_TC3_RD	-	-	-	-	-	-	-	-	-	-	-	-	-	-	-	-	-	-	-	-	-
EDMA3CC_TC3_WR	-	-	-	-	-	-	-	-	-	-	-	-	-	-	-	-	-	-	-	-	-
SRIO packet DMA	-	-	-	-	-	-	-	-	-	-	-	-	-	-	-	-	-	-	-	-	-
SRIO_Master	1	1	1,4	1,4	1,4	1,4	1,4	-	1,4	1,4	1,4	1,4	1	1,4	1,4	1,4	1,4	1,4	1,4	1,4	1
PCIe_Master	1	1	1,4	1,4	1,4	1,4	1,4	-	1,4	1,4	1,4	1,4	1	1,4	1,4	1,4	1,4	1,4	1,4	1,4	1
EMAC	-	-	-	-	-	-	-	-	-	-	-	-	-	-	-	-	-	-	-	-	-
MSMC_Data_Master	-	-	-	-	-	-	-	-	-	-	-	-	-	-	-	-	-	-	-	-	-
QM packet DMA	-	-	-	-	-	-	-	-	-	-	-	-	-	-	-	-	-	-	-	-	-
QM_Second	-	-	-	-	-	-	-	-	-	-	-	-	-	-	-	-	-	-	-	-	-
DAP_Master	1	1	1,4	1,4	1,4	1,4	1,4	1,4	1,4	1,4	1,4	1,4	1	1,4	1,4	1,4	1,4	1,4	1,4	1,4	1
EDMA3CC	-	-	-	-	-	-	-	-	-	-	-	-	-	-	-	-	-	-	-	-	-
CorePac0_CFG	Y	Y	4	4	4	4	4	4	4	4	4	4	Y	4	4	4	4	4	4	4	Y
CorePac1_CFG (C6657 Only)	Y	Y	4	4	4	4	4	4	4	4	4	4	Y	4	4	4	4	4	4	4	Y
Tracer_Master	-	-	-	-	-	-	-	-	-	-	-	-	-	-	-	-	-	-	-	-	-
UPP	-	-	-	-	-	-	-	-	-	-	-	-	-	-	-	-	-	-	-	-	-

**End of Table 4-2**

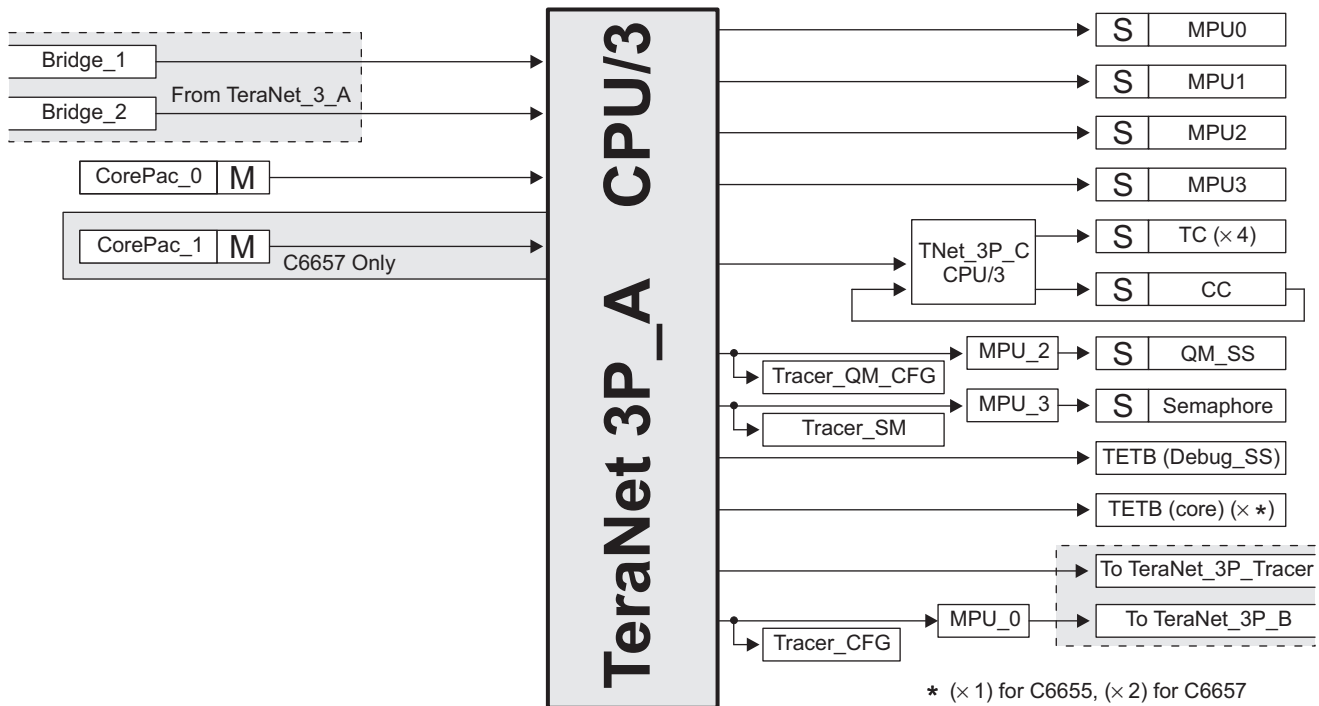
### 4.3 TeraNet Switch Fabric Connections

The figures below show the connections between masters and slaves through various sections of the TeraNet.

Figure 4-1 TeraNet 3A



**Figure 4-2 TeraNet 3P\_A**



**Figure 4-3 TeraNet 3P\_B**

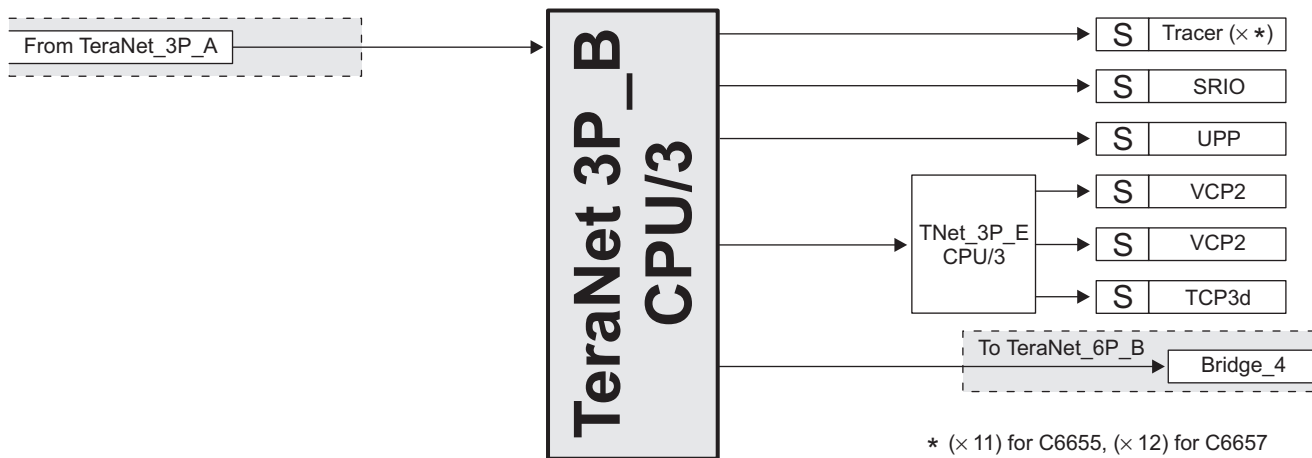


Figure 4-4 TeraNet 3P\_Tracer

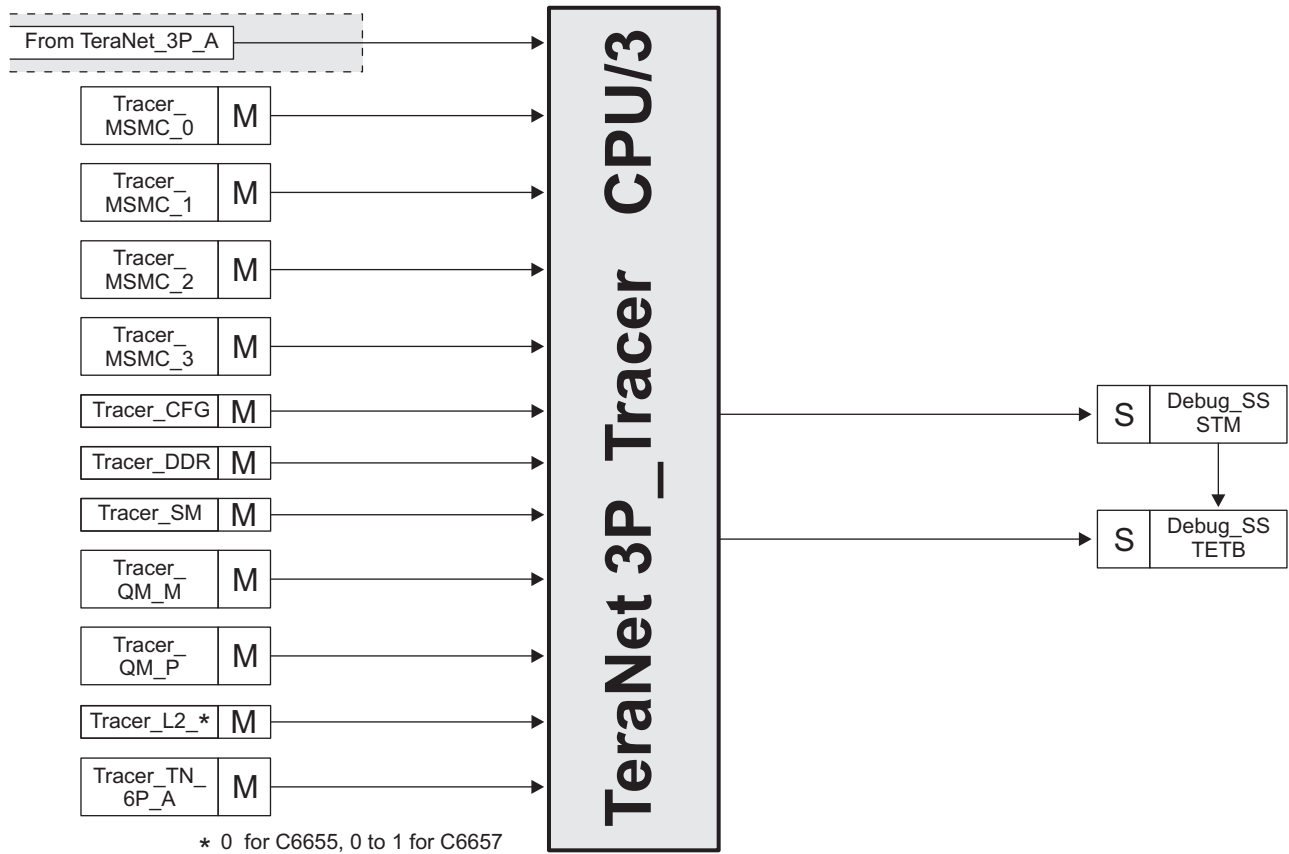
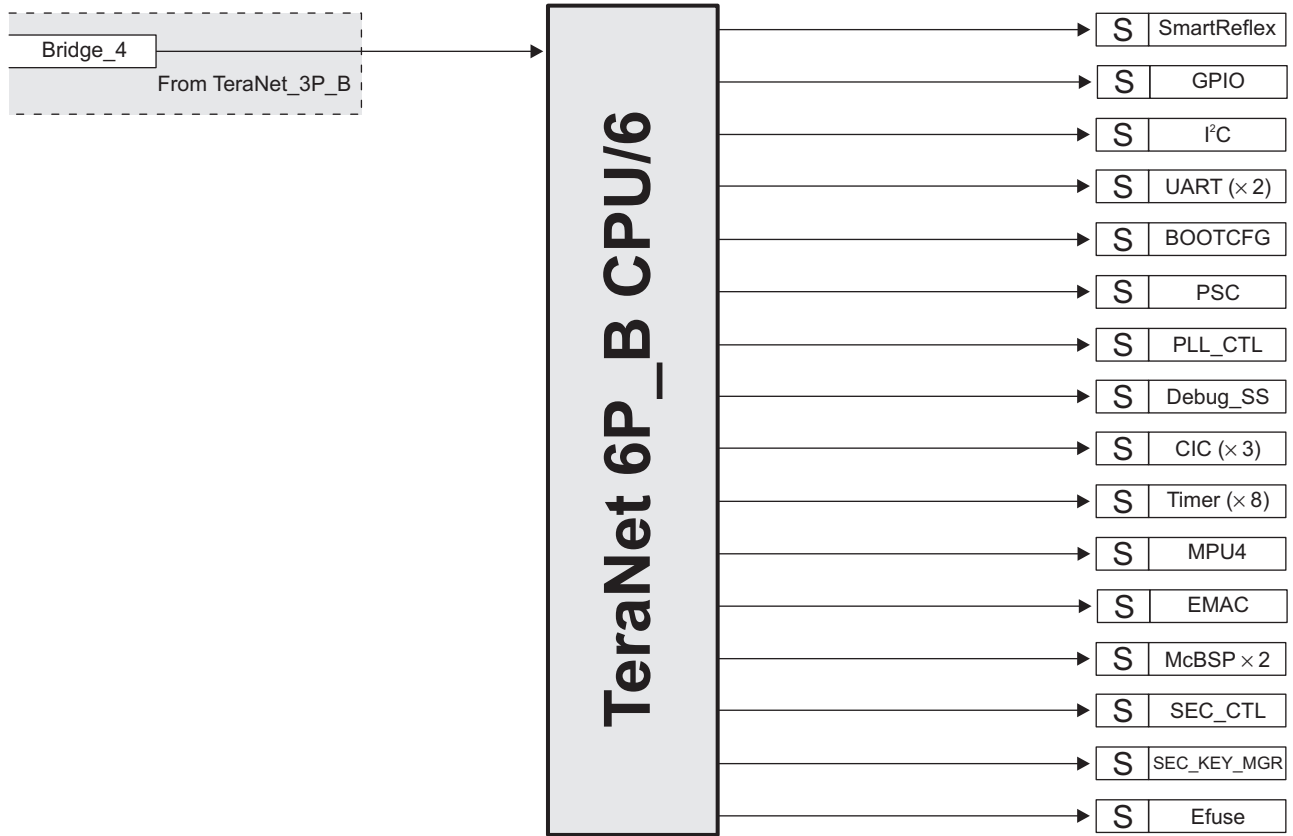


Figure 4-5 TeraNet 6P\_B



## 4.4 Bus Priorities

The priority level of all master peripheral traffic is defined at the TeraNet boundary. User programmable priority registers allow software configuration of the data traffic through the TeraNet. Note that a lower number means higher priority - PRI = 000b = urgent, PRI = 111b = low.

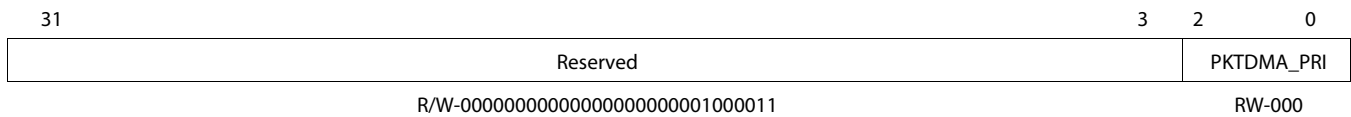
Most master ports provide their priority directly and do not need a default priority setting. Examples include the CorePacs, whose priorities are set through software in the UMC control registers. All the packet-DMA-based peripherals also have internal registers to define the priority level of their initiated transactions.

Some masters do not have a priority allocation register of their own. For these masters, a priority allocation register is provided for them and described in the sections below. For all other modules, see the respective User Guides in “[Related Documentation from Texas Instruments](#)” on page 65 for programmable priority registers.

### 4.4.1 Packet DMA Priority Allocation (PKTDMA\_PRI\_ALLOC) Register

The packet DMA secondary port is one master port that does not have priority allocation register inside the IP. The priority level for transaction from this master port is described by PKTDMA\_PRI\_ALLOC register in [Figure 4-6](#) and [Table 4-3](#).

**Figure 4-6 Packet DMA Priority Allocation Register (PKTDMA\_PRI\_ALLOC)**



Legend: R = Read only; R/W = Read/Write; -n = value after reset

**Table 4-3 Packet DMA Priority Allocation Register (PKTDMA\_PRI\_ALLOC) Field Descriptions**

Bit	Field	Description
31-3	Reserved	Reserved.
2-0	PKDTDMA_PRI	Control the priority level for the transactions from packet DMA master port, which access the external linking RAM.

**End of Table 4-3**

**4.4.2 EMAC / uPP Priority Allocation (EMAC\_UPP\_PRI\_ALLOC) Register**

The EMAC and uPP are master ports that do not have priority allocation registers inside the IP. The priority level for transaction from these master ports is described by EMAC\_UPP\_PRI\_ALLOC register in [Figure 4-7](#) and [Table 4-4](#).

**Figure 4-7 EMAC / uPP Priority Allocation Register (EMAC\_UPP\_PRI\_ALLOC)**

31	27	26	24	23	19	18	16	15	11	10	8	7	3	2	0
Reserved	EMAC_EPRI		Reserved		EMAC_PRI		Reserved		UPP_EPRI		Reserved		UPP_PRI		
R-00000	RW-110		R-00000		RW-111		R-00000		RW-110		R-00000		RW-111		

Legend: R = Read only; R/W = Read/Write; -n = value after reset

**Table 4-4 EMAC / uPP Priority Allocation Register (EMAC\_UPP\_PRI\_ALLOC) Field Descriptions**

Bit	Field	Description
31-27	Reserved	Reserved.
26-24	EMAC_EPRI	Control the maximum priority level for the transactions from EMAC master port.
23-19	Reserved	Reserved.
18-16	EMACA_PRI	Control the priority level for the transactions from EMAC master port.
15-11	Reserved	Reserved.
10-8	UPP_EPRI	Control the maximum priority level for the transactions from uPP master port.
7-3	Reserved	Reserved.
2-0	UPP_PRI	Control the priority level for the transactions from uPP master port.

**End of Table 4-4**



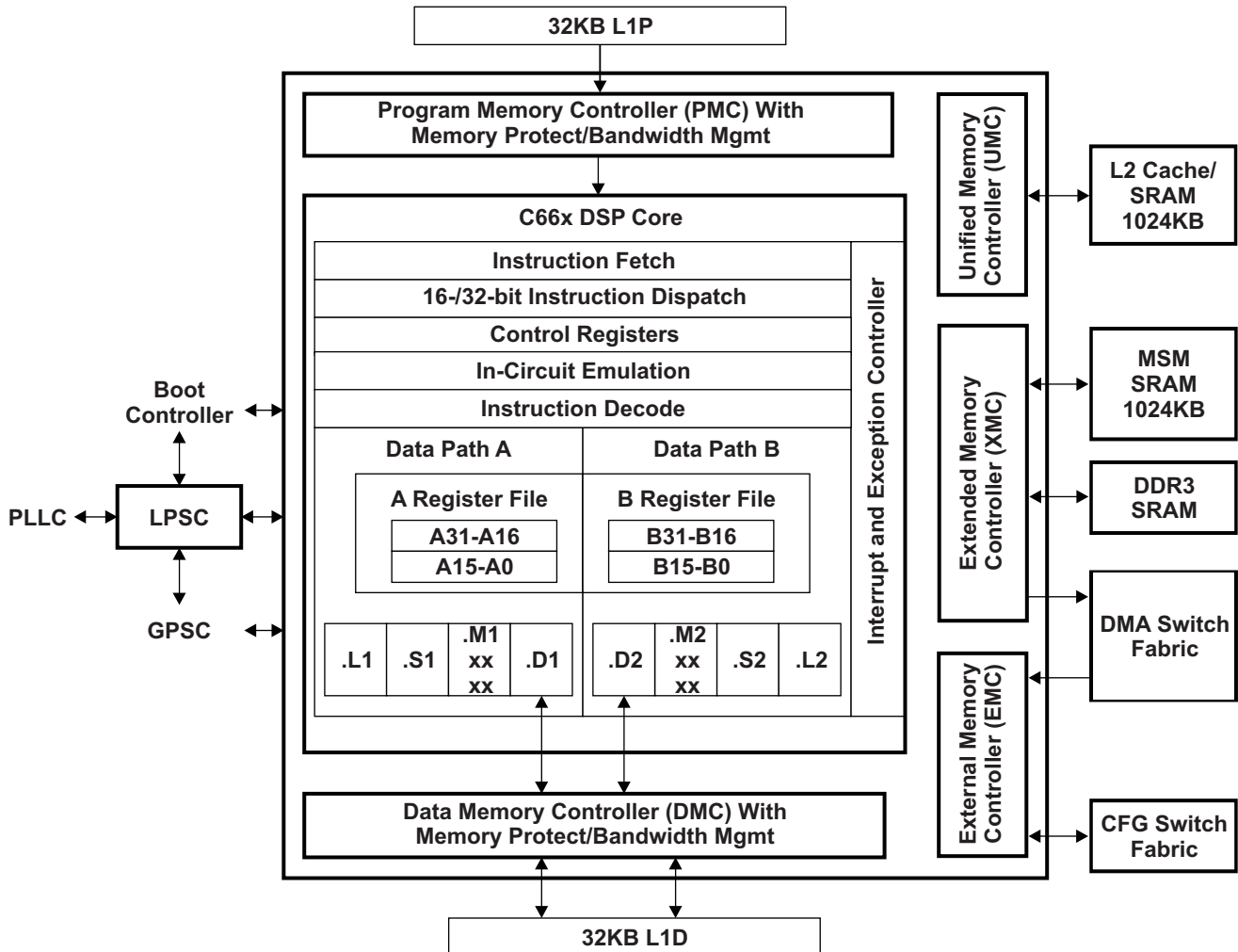
## 5 C66x CorePac

The C66x CorePac consists of several components:

- The C66x DSP and associated C66x CorePac core
- Level-one and level-two memories (L1P, L1D, L2)
- Data Trace Formatter (DTF)
- Embedded Trace Buffer (ETB)
- Interrupt Controller
- Power-down controller
- External Memory Controller
- Extended Memory Controller
- A dedicated power/sleep controller (LPSC)

The C66x CorePac also provides support for memory protection, bandwidth management (for resources local to the C66x CorePac) and address extension. [Figure 5-1](#) shows a block diagram of the C66x CorePac.

**Figure 5-1 C66x CorePac Block Diagram**



For more detailed information on the TMS320C66x CorePac on the C6655/57 device, see the *C66x CorePac User Guide* in [“Related Documentation from Texas Instruments”](#) on page 65.

## 5.1 Memory Architecture

Each C66x CorePac of the device contains a 1024KB level-2 memory (L2), a 32KB level-1 program memory (L1P), and a 32KB level-1 data memory (L1D). The C6655/57 devices also contain a 1024KB multicore shared memory (MSM). All memory on the C6655/57 has a unique location in the memory map (see Table 2-2 “[Memory Map Summary](#)” on page 21).

After device reset, L1P and L1D cache are configured as all cache, by default. The L1P and L1D cache can be reconfigured via software through the L1PMODE field of the L1P Configuration Register (L1PCFG) and the L1DMODE field of the L1D Configuration Register (L1DCFG) of the C66x CorePac. L1D is a two-way set-associative cache, while L1P is a direct-mapped cache.

The on-chip bootloader changes the reset configuration for L1P and L1D. For more information, see the *Bootloader for the C66x DSP User Guide* in “[Related Documentation from Texas Instruments](#)” on page 65.

For more information on the operation L1 and L2 caches, see the *C66x DSP Cache User Guide* in “[Related Documentation from Texas Instruments](#)” on page 65.

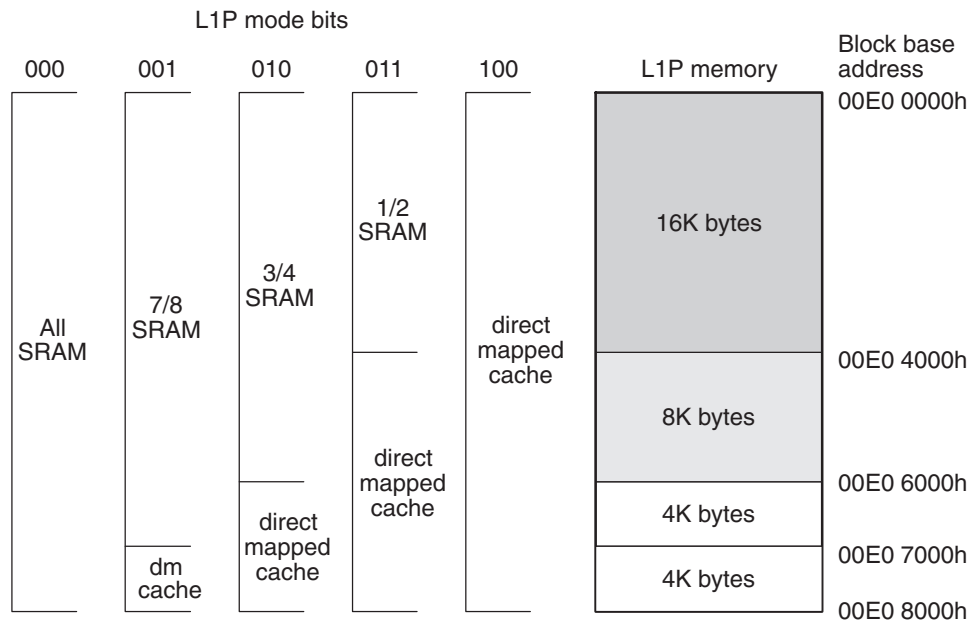
### 5.1.1 L1P Memory

The L1P memory configuration for the C6655/57 device is as follows:

- 32K bytes with no wait states

[Figure 5-2](#) shows the available SRAM/cache configurations for L1P.

**Figure 5-2 L1P Memory Configurations**



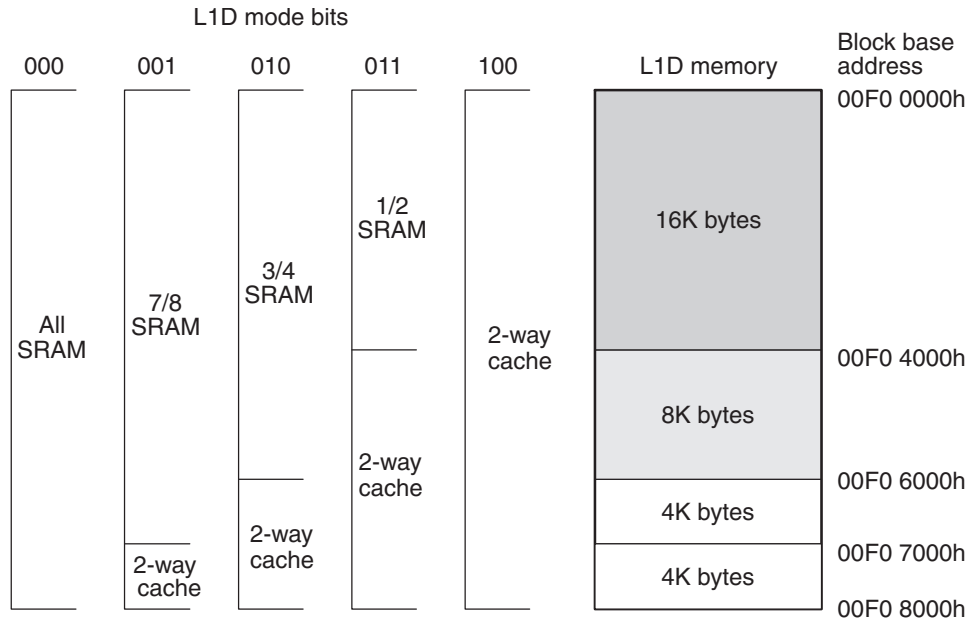
### 5.1.2 L1D Memory

The L1D memory configuration for the C6655/57 device is as follows:

- 32K bytes with no wait states

Figure 5-3 shows the available SRAM/cache configurations for L1D.

**Figure 5-3 L1D Memory Configurations**



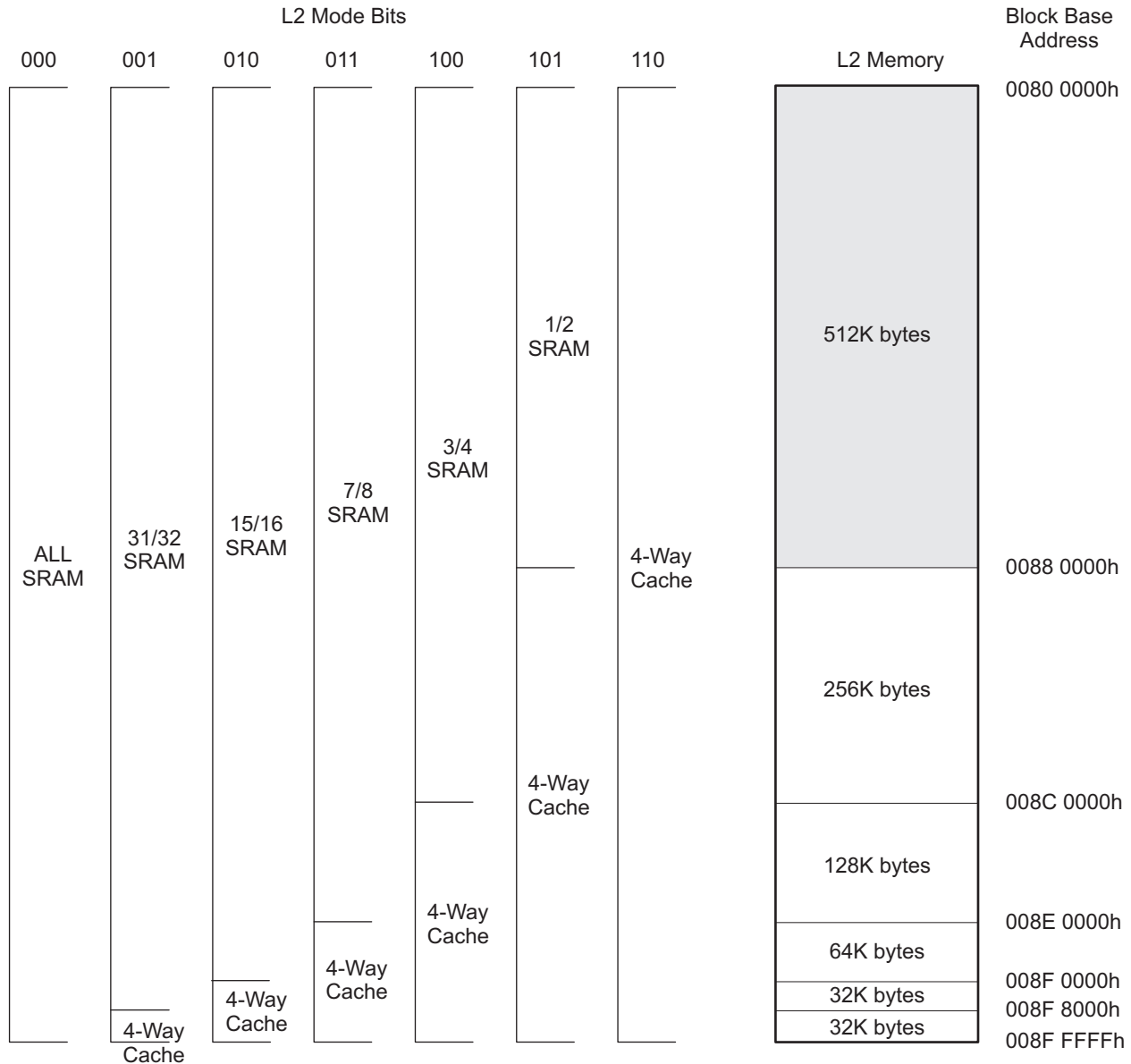
### 5.1.3 L2 Memory

The L2 memory configuration for the C6655/57 device is as follows:

- Total memory is 1024KB (C6655) or 2048KB (C6657)
- Each core contains 1024KB of memory
- Local starting address for each core is 0080 0000h

L2 memory can be configured as all SRAM, all 4-way set-associative cache, or a mix of the two. The amount of L2 memory that is configured as cache is controlled through the L2MODE field of the L2 Configuration Register (L2CFG) of the C66x CorePac. Figure 5-4 shows the available SRAM/cache configurations for L2. By default, L2 is configured as all SRAM after device reset.

**Figure 5-4 L2 Memory Configurations**



Global addresses are accessible to all masters in the system. In addition, local memory can be accessed directly by the associated processor through aliased addresses, where the eight MSBs are masked to zero. The aliasing is handled within the C66x CorePac and allows for common code to be run unmodified on multiple cores. For example, address location 0x10800000 is the global base address for C66x CorePac Core 0's L2 memory. C66x CorePac Core 0 can access this location by either using 0x10800000 or 0x00800000. Any other master on the device must use 0x10800000 only. Conversely, 0x00800000 can be used by any of the cores as their own L2 base addresses.

For C66x CorePac Core 0, address 0x00800000 is equivalent to 0x10800000, and for C66x CorePac Core 1 (C6657 only) address 0x00800000 is equivalent to 0x11800000. Local addresses should be used only for shared code or data, allowing a single image to be included in memory. Any code/data targeted to a specific core, or a memory region allocated during run-time by a particular core should always use the global address only.

### 5.1.4 MSM SRAM

The MSM SRAM configuration for the device is as follows:

- Memory size is 1024KB
- The MSM SRAM can be configured as shared L2 and/or shared L3 memory
- Allows extension of external addresses from 2GB to up to 8GB
- Has built in memory protection features

The MSM SRAM is always configured as all SRAM. When configured as a shared L2, its contents can be cached in L1P and L1D. When configured in shared L3 mode, it's contents can be cached in L2 also. For more details on external memory address extension and memory protection features, see the *Multicore Shared Memory Controller (MSMC) for KeyStone Devices User Guide* in [“Related Documentation from Texas Instruments”](#) on page 65.

### 5.1.5 L3 Memory

The L3 ROM on the device is 128KB. The ROM contains software used to boot the device. There is no requirement to block accesses from this portion to the ROM.

## 5.2 Memory Protection

Memory protection allows an operating system to define who or what is authorized to access L1D, L1P, and L2 memory. To accomplish this, the L1D, L1P, and L2 memories are divided into pages. There are 16 pages of L1P (2KB each), 16 pages of L1D (2KB each), and 32 pages of L2 (16KB each). The L1D, L1P, and L2 memory controllers in the C66x CorePac are equipped with a set of registers that specify the permissions for each memory page.

Each page may be assigned with fully orthogonal user and supervisor read, write, and execute permissions. In addition, a page may be marked as either (or both) locally accessible or globally accessible. A local access is a direct DSP access to L1D, L1P, and L2, while a global access is initiated by a DMA (either IDMA or the EDMA3) or by other system masters. Note that EDMA or IDMA transfers programmed by the DSP count as global accesses. On a secure device, pages can be restricted to secure access only (default) or opened up for public, non-secure access.

The DSP and each of the system masters on the device are all assigned a privilege ID. It is possible to specify whether memory pages are locally or globally accessible.

The AIDx and LOCAL bits of the memory protection page attribute registers specify the memory page protection scheme, see [Table 5-1](#).

**Table 5-1 Available Memory Page Protection Schemes**

AIDx Bit	Local Bit	Description
0	0	No access to memory page is permitted.
0	1	Only direct access by DSP is permitted.
1	0	Only accesses by system masters and IDMA are permitted (includes EDMA and IDMA accesses initiated by the DSP).
1	1	All accesses permitted.
<b>End of Table 5-1</b>		

Faults are handled by software in an interrupt (or an exception, programmable within the C66x CorePac interrupt controller) service routine. A DSP or DMA access to a page without the proper permissions will:

- Block the access — reads return 0, writes are ignored
- Capture the initiator in a status register — ID, address, and access type are stored
- Signal event to DSP interrupt controller

The software is responsible for taking corrective action to respond to the event and resetting the error status in the memory controller. For more information on memory protection for L1D, L1P, and L2, see the *C66x CorePac User Guide* in [“Related Documentation from Texas Instruments”](#) on page 65.

### 5.3 Bandwidth Management

When multiple requestors contend for a single C66x CorePac resource, the conflict is resolved by granting access to the highest priority requestor. The following four resources are managed by the Bandwidth Management control hardware:

- Level 1 Program (L1P) SRAM/Cache
- Level 1 Data (L1D) SRAM/Cache
- Level 2 (L2) SRAM/Cache
- Memory-mapped registers configuration bus

The priority level for operations initiated within the C66x CorePac are declared through registers in the C66x CorePac. These operations are:

- DSP-initiated transfers
- User-programmed cache coherency operations
- IDMA-initiated transfers

The priority level for operations initiated outside the C66x CorePac by system peripherals is declared through the Priority Allocation Register (PRI\_ALLOC), see section 4.4 “[Bus Priorities](#)” on page 95 for more details. System peripherals with no fields in the PRI\_ALLOC have their own registers to program their priorities.

More information on the bandwidth management features of the C66x CorePac can be found in the *C66x CorePac User Guide* in “[Related Documentation from Texas Instruments](#)” on page 65.

### 5.4 Power-Down Control

The C66x CorePac supports the ability to power down various parts of the C66x CorePac. The power down controller (PDC) of the C66x CorePac can be used to power down L1P, the cache control hardware, the DSP, and the entire C66x CorePac. These power-down features can be used to design systems for lower overall system power requirements.



---

**Note**—The C6655/57 does not support power-down modes for the L2 memory at this time.

---

More information on the power-down features of the C66x CorePac can be found in the *TMS320C66x CorePac Reference Guide* in “[Related Documentation from Texas Instruments](#)” on page 65.

## 5.5 C66x CorePac Revision

The version and revision of the C66x CorePac can be read from the CorePac Revision ID Register (MM\_REVID) located at address 0181 2000h. The MM\_REVID register is shown in [Figure 5-5](#) and described in [Table 5-2](#). The C66x CorePac revision is dependant on the silicon revision being used.

**Figure 5-5 CorePac Revision ID Register (MM\_REVID) Address - 0181 2000h**

31	16	15	0
VERSION		REVISION	
R-n		R-n	

Legend: R = Read; -n = value after reset

**Table 5-2 CorePac Revision ID Register (MM\_REVID) Field Descriptions**

Bit	Field	Description
31-16	VERSION	Version of the C66x CorePac implemented on the device.
15-0	REVISION	Revision of the C66x CorePac version implemented on the device.
<b>End of Table 5-2</b>		

## 5.6 C66x CorePac Register Descriptions

See the *C66x CorePac Reference Guide* in [“Related Documentation from Texas Instruments”](#) on page 65 for register offsets and definitions.

## 6 Device Operating Conditions

### 6.1 Absolute Maximum Ratings

**Table 6-1 Absolute Maximum Ratings<sup>(1)</sup>**  
**Over Operating Case Temperature Range (Unless Otherwise Noted)**

Supply voltage range <sup>(2)</sup> :	CVDD	-0.3 V to 1.3 V
	CVDD1	-0.3 V to 1.3 V
	DVDD15	-0.3 V to 2.45 V
	DVDD18	-0.3 V to 2.45 V
	VREFSSTL	$0.49 \times DVDD15$ to $0.51 \times DVDD15$
	VDDT1, VDDT2	-0.3 V to 1.3 V
	VDDR1, VDDR2, VDDR3, VDDR4	-0.3 V to 2.45 V
	AVDDA1, AVDDA2	-0.3 V to 2.45 V
	VSS Ground	0 V
Input voltage (V <sub>I</sub> ) range:	LVC MOS (1.8V)	-0.3 V to DVDD18+0.3 V
	DDR3	-0.3 V to 2.45 V
	I <sup>2</sup> C	-0.3 V to 2.45 V
	LVDS	-0.3 V to DVDD18+0.3 V
	LJCB	-0.3 V to 1.3 V
	SerDes	-0.3 V to CVDD1+0.3 V
Output voltage (V <sub>O</sub> ) range:	LVC MOS (1.8V)	-0.3 V to DVDD18+0.3 V
	DDR3	-0.3 V to 2.45 V
	I <sup>2</sup> C	-0.3 V to 2.45 V
	SerDes	-0.3 V to CVDD1+0.3 V
Operating case temperature range, T <sub>C</sub> :	Commercial	0°C to 85°C
	Extended	-40°C to 100°C
ESD stress voltage, V <sub>ESD</sub> <sup>(3)</sup> :	HBM (human body model) <sup>(4)</sup>	±1000 V
	CDM (charged device model) <sup>(5)</sup>	±250 V
Overshoot/undershoot <sup>(6)</sup>	LVC MOS (1.8V)	20% Overshoot/Undershoot for 20% of Signal Duty Cycle
	DDR3	
	I <sup>2</sup> C	
Storage temperature range, T <sub>stg</sub> :		-65°C to 150°C
<b>End of Table 6-1</b>		

1 Stresses beyond those listed under "absolute maximum ratings" may cause permanent damage to the device. These are stress ratings only, and functional operation of the device at these or any other conditions beyond those indicated under "recommended operating conditions" is not implied. Exposure to absolute-maximum-rated conditions for extended periods may affect device reliability.

2 All voltage values are with respect to V<sub>SS</sub>.

3 Electrostatic discharge (ESD) to measure device sensitivity/immunity to damage caused by electrostatic discharges into the device.

4 Level listed above is the passing level per ANSI/ESDA/JEDEC JS-001-2010. JEDEC document JEP155 states that 500 V HBM allows safe manufacturing with a standard ESD control process, and manufacturing with less than 500 V HBM is possible if necessary precautions are taken. Pins listed as 1000 V may actually have higher performance.

5 Level listed above is the passing level per EIA-JEDEC JESD22-C101E. JEDEC document JEP157 states that 250 V CDM allows safe manufacturing with a standard ESD control process. Pins listed as 250 V may actually have higher performance.

6 Overshoot/Undershoot percentage relative to I/O operating values - for example the maximum overshoot value for 1.8-V LVC MOS signals is DVDD18 + 0.20 × DVDD18 and maximum undershoot value would be V<sub>SS</sub> - 0.20 × DVDD18



## 6.2 Recommended Operating Conditions

**Table 6-2 Recommended Operating Conditions<sup>(1) (2)</sup>**

		Min	Nom	Max	Unit	
CVDD	SR Core Supply	850MHz - Device	$SRV_{nom}^{(3)} \times 0.95$	0.85-1.1 <sup>(4)</sup>	$SRV_{nom} \times 1.05$	V
		1000MHz - Device	$SRV_{nom} \times 0.95$	0.85-1.1	$SRV_{nom} \times 1.05$	
		1250MHz - Device	$SRV_{nom} \times 0.95$	0.85-1.1	$SRV_{nom} \times 1.05$	
CVDD1	Core supply voltage for memory array	0.95	1	1.05	V	
DVDD18	1.8-V supply I/O voltage	1.71	1.8	1.89	V	
DVDD15	1.5-V supply I/O voltage	1.425	1.5	1.575	V	
VREFSSTL	DDR3 reference voltage	$0.49 \times DVDD15$	$0.5 \times DVDD15$	$0.51 \times DVDD15$	V	
$V_{DDRx}^{(5)}$	SerDes regulator supply	1.425	1.5	1.575	V	
$V_{DDAx}$	PLL analog supply	1.71	1.8	1.89	V	
$V_{DDTx}$	SerDes termination supply	0.95	1	1.05	V	
$V_{SS}$	Ground	0	0	0	V	
$V_{IH}$	High-level input voltage	LVC MOS (1.8 V)	$0.65 \times DVDD18$		V	
		I <sup>2</sup> C	$0.7 \times DVDD18$		V	
		DDR3 EMIF	$VREFSSTL + 0.1$		V	
$V_{IL}$	Low-level input voltage	LVC MOS (1.8 V)		$0.35 \times DVDD18$	V	
		DDR3 EMIF	-0.3	$VREFSSTL - 0.1$	V	
		I <sup>2</sup> C		$0.3 \times DVDD18$	V	
$T_C$	Operating case temperature	Commercial	0	85	°C	
		Extended	-40	100	°C	

**End of Table 6-2**

1 All differential clock inputs comply with the LVDS Electrical Specification, IEEE 1596.3-1996 and all SERDES I/Os comply with the XAUI Electrical Specification, IEEE 802.3ae-2002.

2 All SERDES I/Os comply with the XAUI Electrical Specification, IEEE 802.3ae-2002.

3  $SRV_{nom}$  refers to the unique SmartReflex core supply voltage between 0.85 V and 1.1 V set from the factory for each individual device.

4 The initial CVDD voltage at power on will be 1.1V nominal and it must transition to VID set value immediately after being presented on VCNTL pins. This is required to maintain full power functionality and reliability targets guaranteed by TI.

5 Where x = 1, 2, 3, 4... to indicate all supplies of the same kind.

### 6.3 Electrical Characteristics

**Table 6-3 Electrical Characteristics**  
**Over Recommended Ranges of Supply Voltage and Operating Case Temperature (Unless Otherwise Noted)**

Parameter		Test Conditions <sup>(1)</sup>	Min	Typ	Max	Unit
V <sub>OH</sub> High-level output voltage	LVC MOS (1.8 V)	I <sub>O</sub> = I <sub>OH</sub>	DVDD18 - 0.45			V
	DDR3		DVDD15 - 0.4			
	I <sup>2</sup> C <sup>(2)</sup>					
V <sub>OL</sub> Low-level output voltage	LVC MOS (1.8 V)	I <sub>O</sub> = I <sub>OL</sub>				V
	DDR3		0.45			
	I <sup>2</sup> C	I <sub>O</sub> = 3 mA, pulled up to 1.8 V	0.4			
I <sub>I</sub> <sup>(3)</sup> Input current [DC]	LVC MOS (1.8 V)	No IPD/IPU	-5		5	μA
		Internal pullup	50	100	170 <sup>(4)</sup>	
		Internal pulldown	-170	-100	-50	
	I <sup>2</sup> C	0.1 × DVDD18 V < V <sub>I</sub> < 0.9 × DVDD18 V	-10		10	
I <sub>OH</sub> High-level output current [DC]	LVC MOS (1.8 V)				-6	mA
	DDR3				-8	
	I <sup>2</sup> C <sup>(5)</sup>					
I <sub>OL</sub> Low-level output current [DC]	LVC MOS (1.8 V)				6	mA
	DDR3				8	
	I <sup>2</sup> C				3	
I <sub>OZ</sub> <sup>(6)</sup> Off-state output current [DC]	LVC MOS (1.8 V)		-2		2	μA
	DDR3		-2		2	
	I <sup>2</sup> C		-2		2	

**End of Table 6-3**

1 For test conditions shown as MIN, MAX, or TYP, use the appropriate value specified in the recommended operating conditions table.

2 I<sup>2</sup>C uses open collector IOs and does not have a V<sub>OH</sub> Minimum.

3 I<sub>I</sub> applies to input-only pins and bi-directional pins. For input-only pins, I<sub>I</sub> indicates the input leakage current. For bi-directional pins, I<sub>I</sub> includes input leakage current and off-state (Hi-Z) output leakage current.

4 For RESETSTAT, max DC input current is 300 μA.

5 I<sup>2</sup>C uses open collector IOs and does not have a I<sub>OH</sub> Maximum.

6 I<sub>OZ</sub> applies to output-only pins, indicating off-state (Hi-Z) output leakage current.

## 6.4 Power Supply to Peripheral I/O Mapping

**Table 6-4 Power Supply to Peripheral I/O Mapping** <sup>(1) (2)</sup>  
**Over Recommended Ranges of Supply Voltage and Operating Case Temperature (Unless Otherwise Noted)**

Power Supply		I/O Buffer Type	Associated Peripheral
CVDD	Supply Core Voltage	LJCB	CORECLK(P N) PLL input buffer
			SRIOSGMIIICK(P N) SerDes PLL input buffer
			DDRCLK(P N) PLL input buffer
			PCIECLK(P N) SERDES PLL input buffer
CVDD	Supply Core Voltage	LJCB	MCMCLK(P N) SERDES PLL input buffer
DVDD15	1.5-V supply I/O voltage	DDR3 (1.5 V)	All DDR3 memory controller peripheral I/O buffer
DVDD18	1.8-V supply I/O voltage	LVCMOS (1.8 V)	All GPIO peripheral I/O buffer
			All JTAG and EMU peripheral I/O buffer
			All Timer peripheral I/O buffer
			All SPI peripheral I/O buffer
			All RESETs, NMI, Control peripheral I/O buffer
			All SmartReflex peripheral I/O buffer
			All MDIO peripheral I/O buffer
			All UART peripheral I/O buffer
			All McBSP peripheral I/O buffer
		All EMIF16 peripheral I/O buffer	
		Open-drain (1.8V)	All I <sup>2</sup> C peripheral I/O buffer
DVDD18	1.8-V supply I/O voltage	LVCMOS (1.8 V)	All Hyperlink sideband peripheral I/O buffer
VDDT1	Hyperlink SerDes termination and analogue front-end supply	SerDes/CML	Hyperlink SerDes CML IO buffer
VDDT2	SRIO/SGMII/PCIE SerDes termination and analogue front-end supply	SerDes/CML	SRIO/SGMII/PCIE SerDes CML IO buffer
<b>End of Table 6-4</b>			

- 1 Please note that this table does not attempt to describe all functions of all power supply terminals but only those whose purpose it is to power peripheral I/O buffers and clock input buffers.
- 2 Please see the Hardware Design Guide for KeyStone Devices in [“Related Documentation from Texas Instruments”](#) on page 65 for more information about individual peripheral I/O.

## 7 Peripheral Information and Electrical Specifications

This chapter covers the various peripherals on the TMS320C6655/57 DSP. Peripheral-specific information, timing diagrams, electrical specifications, and register memory maps are described in this chapter.

### 7.1 Recommended Clock and Control Signal Transition Behavior

All clocks and control signals *must* transition between  $V_{IH}$  and  $V_{IL}$  (or between  $V_{IL}$  and  $V_{IH}$ ) in a monotonic manner.

### 7.2 Power Supplies

The following sections describe the proper power-supply sequencing and timing needed to properly power on the C6655/57. The various power supply rails and their primary function is listed in [Table 7-1](#).

**Table 7-1 Power Supply Rails on TMS320C6655/57**

Name	Primary Function	Voltage	Notes
CVDD	SmartReflex core supply voltage	0.85 V - 1.1 V	Includes core voltage for DDR3 module
CVDD1	Core supply voltage for memory array	1.0 V	Fixed supply at 1.0 V
VDDT1	HyperLink SerDes termination supply	1.0 V	Filtered version of CVDD1. Special considerations for noise. Filter is not needed if HyperLink is not in use.
VDDT2	SGMII/SRIO/PCIE SerDes termination supply	1.0 V	Filtered version of CVDD1. Special considerations for noise. Filter is not needed if SGMII/SRIO/PCIE is not in use.
DVDD15	1.5-V DDR3 IO supply	1.5 V	
VDDR1	HyperLink SerDes regulator supply	1.5 V	Filtered version of DVDD15. Special considerations for noise. Filter is not needed if HyperLink is not in use.
VDDR2	PCIE SerDes regulator supply	1.5 V	Filtered version of DVDD15. Special considerations for noise. Filter is not needed if PCIE is not in use.
VDDR3	SGMII SerDes regulator supply	1.5 V	Filtered version of DVDD15. Special considerations for noise. Filter is not needed if SGMII is not in use.
VDDR4	SRIO SerDes regulator supply	1.5 V	Filtered version of DVDD15. Special considerations for noise. Filter is not needed if HyperLink is not in use.
DVDD18	1.8-V IO supply	1.8V	
AVDDA1	Main PLL supply	1.8 V	Filtered version of DVDD18. Special considerations for noise.
AVDDA2	DDR3 PLL supply	1.8 V	Filtered version of DVDD18. Special considerations for noise.
VREFSSTL	0.75-V DDR3 reference voltage	0.75 V	Should track the 1.5-V supply. Use 1.5 V as source.
VSS	Ground	GND	

**End of Table 7-1**

### 7.2.1 Power-Supply Sequencing

This section defines the requirements for a power up sequencing from a power-on reset condition. There are two acceptable power sequences for the device. The first sequence stipulates the core voltages starting before the IO voltages as shown below.

1. CVDD
2. CVDD1, VDDT1-2
3. DVDD18, AVDDA1, AVDDA2
4. DVDD15, VDDR1-4

The second sequence provides compatibility with other TI processors with the IO voltage starting before the core voltages as shown below.

1. DVDD18, AVDDA1, AVDDA2
2. CVDD
3. CVDD1, VDDT1-2
4. DVDD15, VDDR1-4

The clock input buffers for CORECLK, DDRCLK, SRIOSGMIICLK, MCMCLK, and PCIECLK use only CVDD as a supply voltage. These clock inputs are not failsafe and must be held in a high-impedance state until CVDD is at a valid voltage level. Driving these clock inputs high before CVDD is valid could cause damage to the device. Once CVDD is valid it is acceptable that the P and N legs of these CLKs may be held in a static state (either high and low or low and high) until a valid clock frequency is needed at that input. To avoid internal oscillation the clock inputs should be removed from the high impedance state shortly after CVDD is present.

If a clock input is not used it must be held in a static state. To accomplish this the N leg should be pulled to ground through a 1K ohm resistor. The P leg should be tied to CVDD to ensure it won't have any voltage present until CVDD is active. Connections to the IO cells powered by DVDD18 and DVDD15 are not failsafe and should not be driven high before these voltages are active. Driving these IO cells high before DVDD18 or DVDD15 are valid could cause damage to the device.

The device initialization is broken into two phases. The first phase consists of the time period from the activation of the first power supply until the point in which all supplies are active and at a valid voltage level. Either of the sequencing scenarios described above can be implemented during this phase. The figures below show both the core-before-IO voltage sequence and the IO-before-core voltage sequence.  $\overline{\text{POR}}$  must be held low for the entire power stabilization phase.

This is followed by the device initialization phase. The rising edge of  $\overline{\text{POR}}$  followed by the rising edge of  $\overline{\text{RESETFULL}}$  will trigger the end of the initialization phase but both must be inactive for the initialization to complete.  $\overline{\text{POR}}$  must always go inactive before  $\overline{\text{RESETFULL}}$  goes inactive as described below. SYSCLK1 in the following section refers to the clock that is used by the CorePac, see [Figure 7-7](#) for more details.

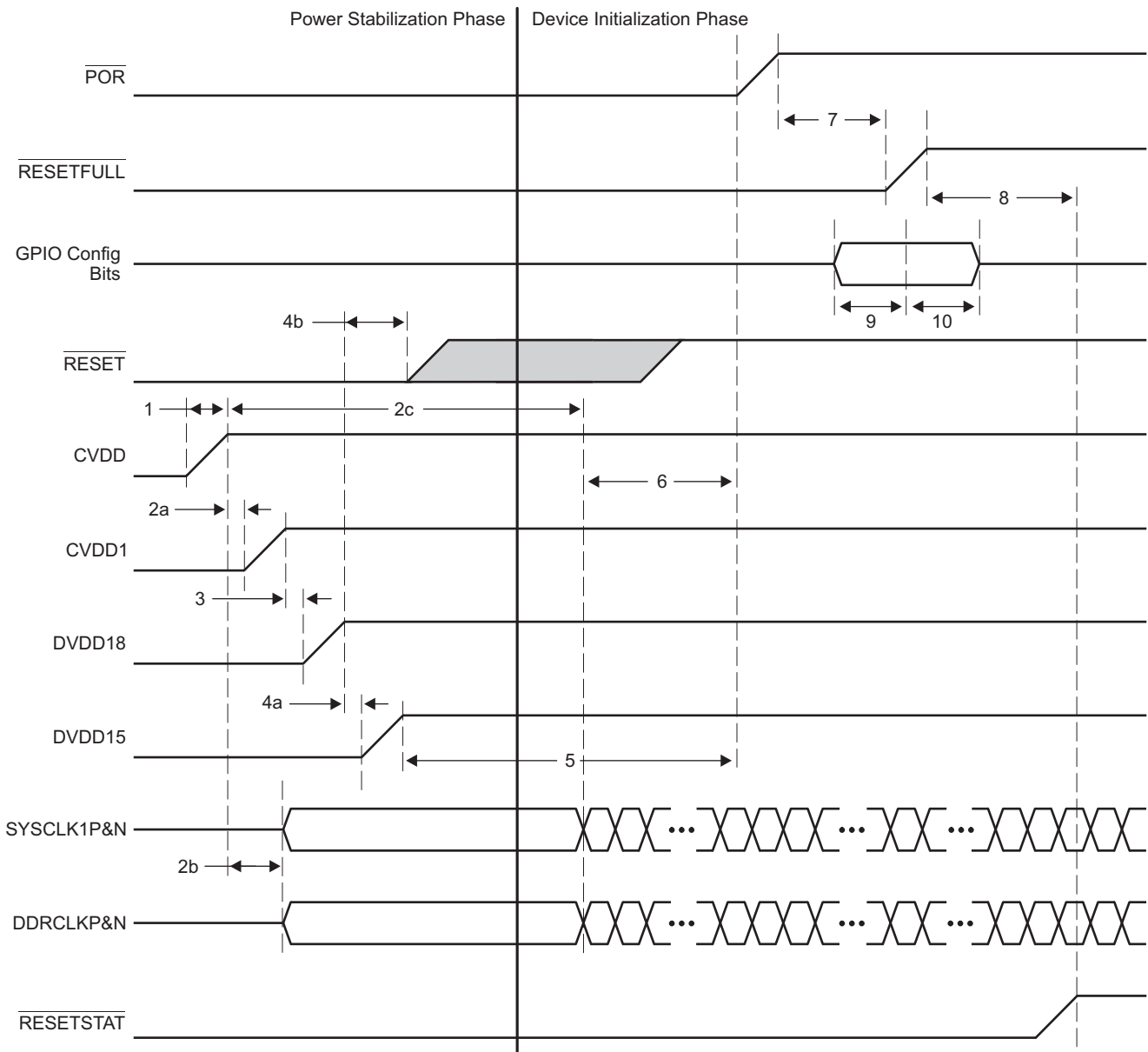
**7.2.1.1 Core-Before-IO Power Sequencing**

Figure 7-1 shows the power sequencing and reset control of TMS320C6655/57 for device initialization.  $\overline{\text{POR}}$  may be removed after the power has been stable for the required 100  $\mu\text{sec}$ .  $\overline{\text{RESETFULL}}$  must be held low for a period after the rising edge of  $\overline{\text{POR}}$  but may be held low for longer periods if necessary. The configuration bits shared with the GPIO pins will be latched on the rising edge of  $\overline{\text{RESETFULL}}$  and must meet the setup and hold times specified. SYSCLK1 must always be active before  $\overline{\text{POR}}$  can be removed. Core-before-IO power sequencing is defined in Table 7-2.



**Note**—TI recommends a maximum of 100 ms between one power rail being valid, and the next power rail in the sequence starting to ramp

**Figure 7-1 Core Before IO Power Sequencing**



**Table 7-2 Core Before IO Power Sequencing**

Time	System State
1	<b>Begin Power Stabilization Phase</b> <ul style="list-style-type: none"> <li>• CVDD (core AVS) ramps up.</li> <li>• <math>\overline{\text{POR}}</math> must be held low through the power stabilization phase. Because <math>\overline{\text{POR}}</math> is low, all the core logic that has async reset (created from <math>\overline{\text{POR}}</math>) is put into the reset state.</li> </ul>
2a	<ul style="list-style-type: none"> <li>• CVDD1 (core constant) ramps at the same time or shortly following CVDD. Although ramping CVDD1 and CVDD simultaneously is permitted, the voltage for CVDD1 <b>must never exceed</b> CVDD until after CVDD has reached a valid voltage.</li> <li>• The purpose of ramping up the core supplies close to each other is to reduce crowbar current. CVDD1 should trail CVDD as this will ensure that the WLs in the memories are turned off and there is no current through the memory bit cells. If, however, CVDD1 (core constant) ramps up before CVDD (core AVS), then the worst-case current could be on the order of twice the specified draw of CVDD1.</li> </ul>
2b	<ul style="list-style-type: none"> <li>• Once CVDD is valid, the clock drivers should be enabled. Although the clock inputs are not necessary at this time, they should either be driven with a valid clock or be held in a static state with one leg high and one leg low.</li> </ul>
2c	<ul style="list-style-type: none"> <li>• The DDRCLK and SYSCLK1 may begin to toggle anytime between when CVDD is at a valid level and the setup time before <math>\overline{\text{POR}}</math> goes high specified by <math>t_6</math>.</li> </ul>
3	<ul style="list-style-type: none"> <li>• Filtered versions of 1.8 V can ramp simultaneously with DVDD18.</li> <li>• RESETSTAT is driven low once the DVDD18 supply is available.</li> <li>• All LVCMOS input and bidirectional pins must not be driven or pulled high until DVDD18 is present. Driving an input or bidirectional pin before DVDD18 is valid could cause damage to the device.</li> </ul>
4a	<ul style="list-style-type: none"> <li>• DVDD15 (1.5 V) supply is ramped up following DVDD18. Although ramping DVDD18 and DVDD15 simultaneously is permitted, the voltage for DVDD15 <b>must never exceed</b> DVDD18.</li> </ul>
4b	<ul style="list-style-type: none"> <li>• <math>\overline{\text{RESET}}</math> may be driven high any time after DVDD18 is at a valid level. In a <math>\overline{\text{POR}}</math>-controlled boot, <math>\overline{\text{RESET}}</math> must be high before <math>\overline{\text{POR}}</math> is driven high.</li> </ul>
5	<ul style="list-style-type: none"> <li>• <math>\overline{\text{POR}}</math> must continue to remain low for at least 100 <math>\mu\text{s}</math> after power has stabilized.</li> </ul> End Power Stabilization Phase
6	<ul style="list-style-type: none"> <li>• Device initialization requires 500 SYSCLK1 periods after the Power Stabilization Phase. The maximum clock period is 33.33 nsec, so a delay of an additional 16 <math>\mu\text{s}</math> is required before a rising edge of <math>\overline{\text{POR}}</math>. The clock must be active during the entire 16 <math>\mu\text{s}</math>.</li> </ul>
7	<ul style="list-style-type: none"> <li>• <math>\overline{\text{RESETFULL}}</math> must be held low for at least 24 transitions of the SYSCLK1 after <math>\overline{\text{POR}}</math> has stabilized at a high level.</li> </ul>
8	<ul style="list-style-type: none"> <li>• The rising edge of the <math>\overline{\text{RESETFULL}}</math> will remove the reset to the efuse farm allowing the scan to begin.</li> <li>• Once device initialization and the efuse farm scan are complete, the <math>\overline{\text{RESETSTAT}}</math> signal is driven high. This delay will be 10000 to 50000 clock cycles.</li> </ul> End Device Initialization Phase
9	<ul style="list-style-type: none"> <li>• GPIO configuration bits must be valid for at least 12 transitions of the SYSCLK1 before the rising edge of <math>\overline{\text{RESETFULL}}</math></li> </ul>
10	<ul style="list-style-type: none"> <li>• GPIO configuration bits must be held valid for at least 12 transitions of the SYSCLK1 after the rising edge of <math>\overline{\text{RESETFULL}}</math></li> </ul>
<b>End of Table 7-2</b>	

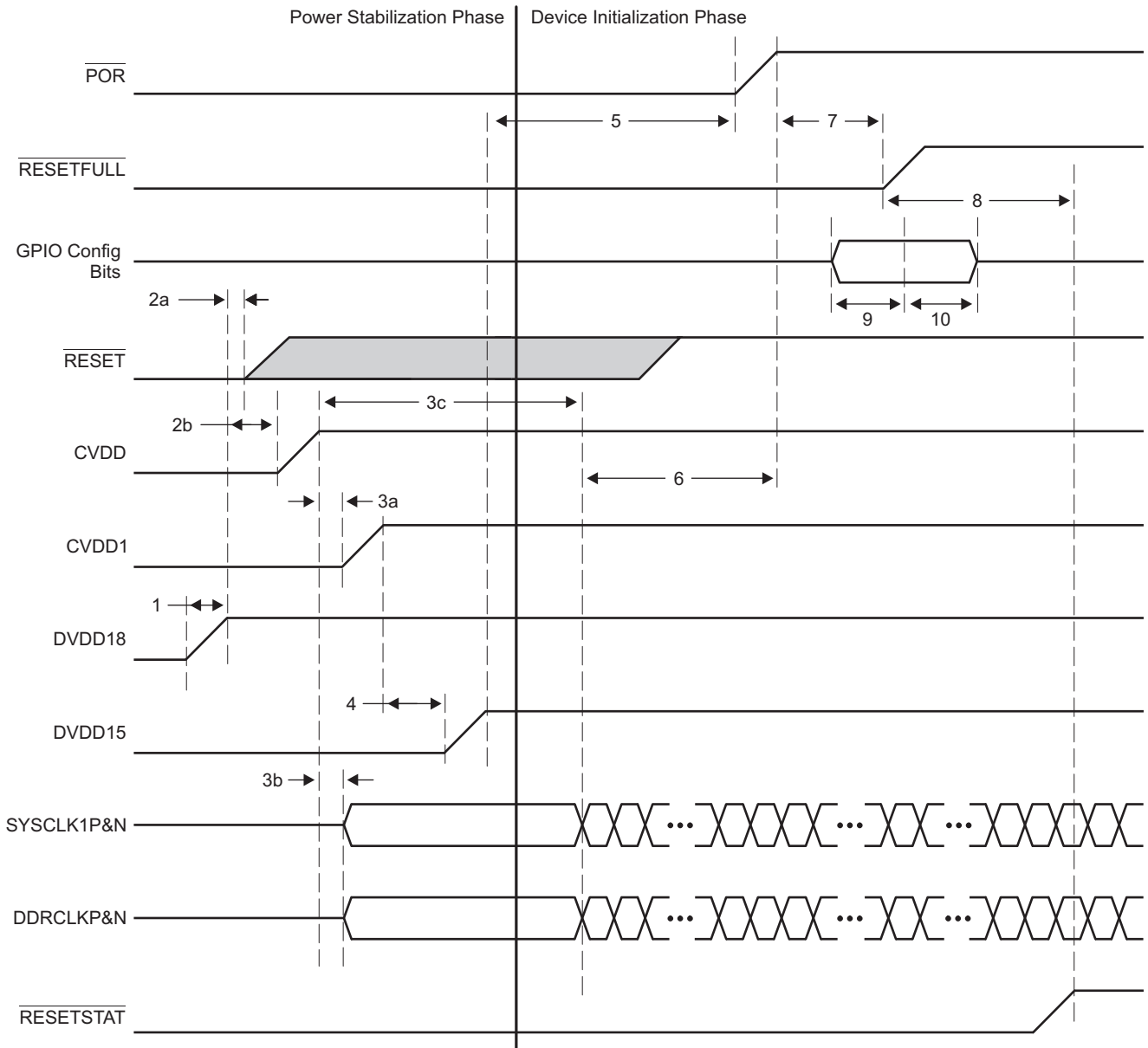
**7.2.1.2 IO-Before-Core Power Sequencing**

The timing diagram for IO-before-core power sequencing is shown in [Figure 7-2](#) and defined in [Table 7-3](#).



**Note**—TI recommends a maximum of 100 ms between one power rail being valid, and the next power rail in the sequence starting to ramp.

**Figure 7-2 IO Before Core Power Sequencing**





**Table 7-3 IO Before Core Power Sequencing**

Time	System State
1	<b>Begin Power Stabilization Phase</b> <ul style="list-style-type: none"> <li>• Because <math>\overline{\text{POR}}</math> is low, all the core logic having async reset (created from <math>\overline{\text{POR}}</math>) are put into reset state once the core supply ramps. <math>\overline{\text{POR}}</math> must remain low through Power Stabilization Phase.</li> <li>• Filtered versions of 1.8 V can ramp simultaneously with DVDD18.</li> <li>• <math>\overline{\text{RESETSTAT}}</math> is driven low once the DVDD18 supply is available.</li> <li>• All input and bidirectional pins must not be driven or pulled high until DVDD18 is present. Driving an input or bidirectional pin before DVDD18 could cause damage to the device.</li> </ul>
2a	<ul style="list-style-type: none"> <li>• <math>\overline{\text{RESET}}</math> may be driven high anytime after DVDD18 is at a valid level.</li> </ul>
2b	<ul style="list-style-type: none"> <li>• CVDD (core AVS) ramps up.</li> </ul>
3a	<ul style="list-style-type: none"> <li>• CVDD1 (core constant) ramps at the same time or following CVDD. Although ramping CVDD1 and CVDD simultaneously is permitted the voltage for CVDD1 <b>must never exceed</b> CVDD until after CVDD has reached a valid voltage.</li> <li>• The purpose of ramping up the core supplies close to each other is to reduce crowbar current. CVDD1 should trail CVDD as this will ensure that the WLS in the memories are turned off and there is no current through the memory bit cells. If, however, CVDD1 (core constant) ramps up before CVDD (core AVS), then the worst case current could be on the order of twice the specified draw of CVDD1.</li> </ul>
3b	<ul style="list-style-type: none"> <li>• Once CVDD is valid, the clock drivers should be enabled. Although the clock inputs are not necessary at this time, they should either be driven with a valid clock or held in a static state with one leg high and one leg low.</li> </ul>
3c	<ul style="list-style-type: none"> <li>• The DDRCLK and SYSCLK1 may begin to toggle anytime between when CVDD is at a valid level and the setup time before <math>\overline{\text{POR}}</math> goes high specified by t6.</li> </ul>
4	<ul style="list-style-type: none"> <li>• DVDD15 (1.5 V) supply is ramped up following CVDD1.</li> </ul>
5	<ul style="list-style-type: none"> <li>• <math>\overline{\text{POR}}</math> must continue to remain low for at least 100 <math>\mu\text{s}</math> after power has stabilized.</li> </ul> End Power Stabilization Phase
6	Begin Device Initialization <ul style="list-style-type: none"> <li>• Device initialization requires 500 SYSCLK1 periods after the Power Stabilization Phase. The maximum clock period is 33.33 nsec so a delay of an additional 16 <math>\mu\text{s}</math> is required before a rising edge of <math>\overline{\text{POR}}</math>. The clock must be active during the entire 16 <math>\mu\text{s}</math>.</li> <li>• <math>\overline{\text{POR}}</math> must remain low.</li> </ul>
7	<ul style="list-style-type: none"> <li>• <math>\overline{\text{RESETFULL}}</math> is held low for at least 24 transitions of the SYSCLK1 after <math>\overline{\text{POR}}</math> has stabilized at a high level.</li> <li>• The rising edge of the <math>\overline{\text{RESETFULL}}</math> will remove the reset to the efuse farm allowing the scan to begin.</li> </ul>
8	<ul style="list-style-type: none"> <li>• Once device initialization and the efuse farm scan are complete, the <math>\overline{\text{RESETSTAT}}</math> signal is driven high. This delay will be 10000 to 50000 clock cycles.</li> </ul> End Device Initialization Phase
9	<ul style="list-style-type: none"> <li>• GPIO configuration bits must be valid for at least 12 transitions of the SYSCLK1 before the rising edge of <math>\overline{\text{RESETFULL}}</math></li> </ul>
10	<ul style="list-style-type: none"> <li>• GPIO configuration bits must be held valid for at least 12 transitions of the SYSCLK1 after the rising edge of <math>\overline{\text{RESETFULL}}</math></li> </ul>
<b>End of Table 7-3</b>	

### 7.2.1.3 Prolonged Resets

Holding the device in  $\overline{\text{POR}}$ ,  $\overline{\text{RESETFULL}}$ , or  $\overline{\text{RESET}}$  for long periods of time will affect the long term reliability of the part. The device should not be held in a reset for times exceeding one hour and should not be held in reset for more the 5% of the time during which power is applied. Exceeding these limits will cause a gradual reduction in the reliability of the part. This can be avoided by allowing the DSP to boot and then configuring it to enter a hibernation state soon after power is applied. This will satisfy the reset requirement while limiting the power consumption of the device.

### 7.2.1.4 Clocking During Power Sequencing

Some of the clock inputs are required to be present for the device to initialize correctly, but behavior of many of the clocks is contingent on the state of the boot configuration pins. Table 7-4 describes the clock sequencing and the conditions that affect the clock operation. Note that all clock drivers should be in a high-impedance state until CVDD is at a valid level and that all clock inputs either be active or in a static state with one leg pulled low and the other connected to CVDD.

**Table 7-4 Clock Sequencing**

Clock	Condition	Sequencing
DDRCLK	None	Must be present 16 $\mu$ sec before $\overline{\text{POR}}$ transitions high.
CORECLK	None	CORECLK used to clock the core PLL. It must be present 16 $\mu$ sec before $\overline{\text{POR}}$ transitions high.
SRIOSGMIICLK	The SGMII port will be used.	SRIOSGMIICLK must be present 16 $\mu$ sec before $\overline{\text{POR}}$ transitions high.
	SGMII will not be used. SRIO will not be used.	SRIOSGMIICLK is not used and should be tied to a static state.
SRIOSGMIICLK	SGMII will not be used. SRIO will be used as a boot device.	SRIOSGMIICLK must be present 16 $\mu$ sec before $\overline{\text{POR}}$ transitions high.
	SGMII will not be used. SRIO will be used after boot.	SRIOSGMIICLK is used as a source to the SRIO SERDES PLL. It must be present before the SRIO is removed from reset and programmed.
PCIECLK	PCIE will be used as a boot device.	PCIECLK must be present 16 $\mu$ sec before $\overline{\text{POR}}$ transitions high.
	PCIE will be used after boot.	PCIECLK is used as a source to the PCIE SERDES PLL. It must be present before the PCIE is removed from reset and programmed.
	PCIE will not be used.	PCIECLK is not used and should be tied to a static state.
MCMCLK	HyperLink will be used as a boot device.	MCMCLK must be present 16 $\mu$ sec before $\overline{\text{POR}}$ transitions high.
	HyperLink will be used after boot.	MCMCLK is used as a source to the MCM SERDES PLL. It must be present before the HyperLink is removed from reset and programmed.
	HyperLink will not be used.	MCMCLK is not used and should be tied to a static state.
<b>End of Table 7-4</b>		

### 7.2.2 Power-Down Sequence

The power down sequence is the exact reverse of the power-up sequence described above. The goal is to prevent a large amount of static current and to prevent overstress of the device. A power-good circuit that monitors all the supplies for the device should be used in all designs. If a catastrophic power supply failure occurs on any voltage rail, POR should transition to low to prevent over-current conditions that could possibly impact device reliability.

A system power monitoring solution is needed to shut down power to the board if a power supply fails. Long-term exposure to an environment in which one of the power supply voltages is no longer present will affect the reliability of the device. Holding the device in reset is not an acceptable solution because prolonged periods of time with an active reset can also affect long term reliability.

### 7.2.3 Power Supply Decoupling and Bulk Capacitors

In order to properly decouple the supply planes on the PCB from system noise, decoupling and bulk capacitors are required. Bulk capacitors are used to minimize the effects of low frequency current transients and decoupling or bypass capacitors are used to minimize higher frequency noise. For recommendations on selection of Power Supply Decoupling and Bulk capacitors see the *Hardware Design Guide for KeyStone Devices* in “[Related Documentation from Texas Instruments](#)” on page 65.

### 7.2.4 SmartReflex

Increasing the device complexity increases its power consumption and with the smaller transistor structures responsible for higher achievable clock rates and increased performance, comes an inevitable penalty, increasing the leakage currents. Leakage currents are present in any active circuit, independently of clock rates and usage scenarios. This static power consumption is mainly determined by transistor type and process technology. Higher clock rates also increase dynamic power, the power used when transistors switch. The dynamic power depends mainly on a specific usage scenario, clock rates, and I/O activity.

Texas Instruments' SmartReflex technology is used to decrease both static and dynamic power consumption while maintaining the device performance. SmartReflex in the TMS320C6655/57 device is a feature that allows the core voltage to be optimized based on the process corner of the device. This requires a voltage regulator for each TMS320C6655/57 device.

To guarantee maximizing performance and minimizing power consumption of the device, SmartReflex is required to be implemented whenever the TMS320C6655/57 device is used. The voltage selection is done using 4 VCNTL pins which are used to select the output voltage of the core voltage regulator.

For information on implementation of SmartReflex see the *Power Management for KeyStone Devices* application report and the *Hardware Design Guide for KeyStone Devices* in “[Related Documentation from Texas Instruments](#)” on page 65.

**Table 7-5 SmartReflex 4-Pin VID Interface Switching Characteristics**  
(see [Figure 7-3](#))

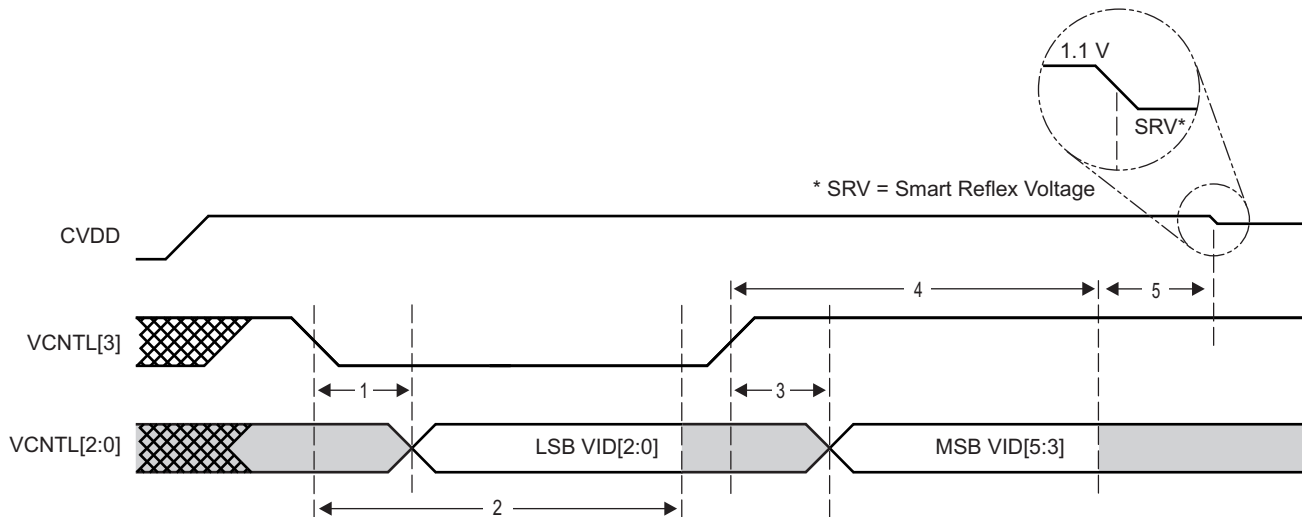
No.	Parameter	Min	Max	Unit
1	td(VCNTL[2:0]-VCNTL[3]) Delay Time - VCNTL[2:0] valid after VCNTL[3] low		300.00	ns
2	toh(VCNTL[3]-VCNTL[2:0]) Output Hold Time - VCNTL[2:0] valid after VCNTL[3] low	0.07	172020C <sup>(1)</sup>	ms
3	td(VCNTL[2:0]-VCNTL[3]) Delay Time - VCNTL[2:0] valid after VCNTL[3] high		300.00	ns
4	toh(VCNTL[3]-VCNTL[2:0]) Output Hold Time - VCNTL[2:0] valid after VCNTL[3] high	0.07	172020C	ms
5	VCNTL being valid to CVDD being switched to SmartReflex Voltage <sup>(2)</sup>		10	ms

**End of Table 7-5**

1 C = 1/SYSCLK1 frequency (See [Figure 7-9](#)) in ms

2 SmartReflex voltage must be set before execution of application code

**Figure 7-3 SmartReflex 4-Pin VID Interface Timing**



### 7.3 Power Sleep Controller (PSC)

The Power Sleep Controller (PSC) controls overall device power by turning off unused power domains and gating off clocks to individual peripherals and modules. The PSC provides the user with an interface to control several important power and clock operations.

For information on the Power Sleep Controller, see the *Power Sleep Controller (PSC) for KeyStone Devices User Guide* in [“Related Documentation from Texas Instruments”](#) on page 65.

#### 7.3.1 Power Domains

The device has several power domains that can be turned on for operation or off to minimize power dissipation. The global power/sleep controller (GPSC) is used to control the power gating of various power domains.

Table 7-6 shows the TMS320C6655/57 power domains.

**Table 7-6 Power Domains**

Domain	Block(s)	Note	Power Connection
0	Most peripheral logic	Cannot be disabled	Always on
1	Per-core TETB and System TETB	RAMs can be powered down	Software control
2	Reserved	Reserved	Reserved
3	PCIe	Logic can be powered down	Software control
4	SRIO	Logic can be powered down	Software control
5	HyperLink	Logic can be powered down	Software control
6	Reserved	Reserved	Reserved
7	MSMC RAM	MSMC RAM can be powered down	Software control
8	Reserved	Reserved	Reserved
9	Reserved	Reserved	Reserved
10	Reserved	Reserved	Reserved
11	TCP3d	RAMs can be powered down	Software control
12	VCP2	RAMs can be powered down	Software control
13	C66x Core 0, L1/L2 RAMs	L2 RAMs can sleep	Software control via C66x CorePac. For details, see the C66x CorePac Reference Guide.
14	C66x Core 1, L1/L2 RAMs (C6657 only)	L2 RAMs can sleep	
15	Reserved	Reserved	Reserved
<b>End of Table 7-6</b>			

### 7.3.2 Clock Domains

Clock gating to each logic block is managed by the local power/sleep controllers (LPSCs) of each module. For modules with a dedicated clock or multiple clocks, the LPSC communicates with the PLL controller to enable and disable that module's clock(s) at the source. For modules that share a clock with other modules, the LPSC controls the clock gating.

[Table 7-7](#) shows the TMS320C6655/57 clock domains.

**Table 7-7 Clock Domains**

LPSC Number	Module(s)	Notes
0	Shared LPSC for all peripherals other than those listed in this table	Always on
1	SmartReflex	Always on
2	DDR3 EMIF	Always on
3	EMAC	Software control
4	VCP2_0	Software control
5	Debug Subsystem and Tracers	Software control
6	Per-core TETB and System TETB	Software control
7	Reserved	Reserved
8	Reserved	Reserved
9	Reserved	Reserved
10	PCIe	Software control
11	SRIO	Software control
12	HyperLink	Software control
13	Reserved	Reserved
14	MSMC RAM	Software control
15	Reserved	Reserved
16	Reserved	Reserved
17	Reserved	Reserved
18	Reserved	Reserved
19	TCP3d	Software control
20	VCP2_1	Software control
21	Reserved	Reserved
22	Reserved	Reserved
23	C66x CorePac 0 and Timer 0	Software control
24	C66x CorePac 1 (C6657 only) and Timer 1	Software control
No LPSC	Bootcfg, PSC, and PLL controller	These modules do not use LPSC
<b>End of Table 7-7</b>		

# TMS320C6655/57

## Fixed and Floating-Point Digital Signal Processor

SPRS814A—August 2012

### 7.3.3 PSC Register Memory Map

Table 7-8 shows the PSC Register memory map.

**Table 7-8 PSC Register Memory Map (Part 1 of 3)**

Offset	Register	Description
0x000	PID	Peripheral Identification Register
0x004 - 0x010	Reserved	Reserved
0x014	VCNTLID	Voltage Control Identification Register <sup>(1)</sup>
0x018 - 0x11C	Reserved	Reserved
0x120	PTCMD	Power Domain Transition Command Register
0x124	Reserved	Reserved
0x128	PTSTAT	Power Domain Transition Status Register
0x12C - 0x1FC	Reserved	Reserved
0x200	PDSTAT0	Power Domain Status Register 0 (AlwaysOn)
0x204	PDSTAT1	Power Domain Status Register 1 (Per-core TETB and System TETB)
0x208	PDSTAT2	Power Domain Status Register 2 (Reserved)
0x20C	PDSTAT3	Power Domain Status Register 3 (PCIe)
0x210	PDSTAT4	Power Domain Status Register 4 (SRIO)
0x214	PDSTAT5	Power Domain Status Register 5 (Hyperlink)
0x218	PDSTAT6	Power Domain Status Register 6 (Reserved)
0x21C	PDSTAT7	Power Domain Status Register 7 (MSMC RAM)
0x220	PDSTAT8	Power Domain Status Register 8 (Reserved)
0x224	PDSTAT9	Power Domain Status Register 9 (Reserved)
0x228	PDSTAT10	Power Domain Status Register 10 (Reserved)
0x22C	PDSTAT11	Power Domain Status Register 11 (TCP3d)
0x230	PDSTAT12	Power Domain Status Register 12 (VCP2)
0x234	PDSTAT13	Power Domain Status Register 13 (C66x CorePac 0)
0x238	PDSTAT14	Power Domain Status Register 14 (C66x CorePac 1) (C6657) or Reserved (C6655)
0x23C	Reserved	Reserved
0x240 - 0x2FC	Reserved	Reserved
0x300	PDCTL0	Power Domain Control Register 0 (AlwaysOn)
0x304	PDCTL1	Power Domain Control Register 1 (Per-core TETB and System TETB)
0x308	PDCTL2	Power Domain Control Register 2 (Reserved)
0x30C	PDCTL3	Power Domain Control Register 3 (PCIe)
0x310	PDCTL4	Power Domain Control Register 4 (SRIO)
0x314	PDCTL5	Power Domain Control Register 5 (HyperLink)
0x318	PDCTL6	Power Domain Control Register 6 (Reserved)
0x31C	PDCTL7	Power Domain Control Register 7 (MSMC RAM)
0x320	PDCTL8	Power Domain Control Register 8 (Reserved)
0x324	PDCTL9	Power Domain Control Register 9 (Reserved)
0x328	PDCTL10	Power Domain Control Register 10 (Reserved)
0x32C	PDCTL11	Power Domain Control Register 11 (TCP3d)
0x330	PDCTL12	Power Domain Control Register 12 (VCP2)
0x334	PDCTL13	Power Domain Control Register 13 (C66x CorePac 0)
0x338	PDCTL14	Power Domain Control Register 14 (C66x CorePac 1) (C6657) or Reserved (C6655)
0x33C	Reserved	Reserved

**Table 7-8 PSC Register Memory Map (Part 2 of 3)**

Offset	Register	Description
0x340 - 0x7FC	Reserved	Reserved
0x800	MDSTAT0	Module Status Register 0 (Never Gated)
0x804	MDSTAT1	Module Status Register 1 (SmartReflex)
0x808	MDSTAT2	Module Status Register 2 (DDR3 EMIF)
0x80C	MDSTAT3	Module Status Register 3 (EMAC)
0x810	MDSTAT4	Module Status Register 4 (VCP2_0)
0x814	MDSTAT5	Module Status Register 5 (Debug Subsystem and Tracers)
0x818	MDSTAT6	Module Status Register 6 (Per-core TETB and System TETB)
0x81C	MDSTAT7	Module Status Register 7 (Reserved)
0x820	MDSTAT8	Module Status Register 8 (Reserved)
0x824	MDSTAT9	Module Status Register 9 (Reserved)
0x828	MDSTAT10	Module Status Register 10 (PCIe)
0x82C	MDSTAT11	Module Status Register 11 (SRIO)
0x830	MDSTAT12	Module Status Register 12 (HyperLink)
0x834	MDSTAT13	Module Status Register 13 (Reserved)
0x838	MDSTAT14	Module Status Register 14 (MSMC RAM)
0x83C	MDSTAT15	Module Status Register 15 (Reserved)
0x840	MDSTAT16	Module Status Register 16 (Reserved)
0x844	MDSTAT17	Module Status Register 17 (Reserved)
0x848	MDSTAT18	Module Status Register 18 (Reserved)
0x84C	MDSTAT19	Module Status Register 19 (TCP3d)
0x850	MDSTAT20	Module Status Register 20 (VCP2_1)
0x854	MDSTAT21	Module Status Register 11 (Reserved)
0x858	MDSTAT22	Module Status Register 22(Reserved)
0x85C	MDSTAT23	Module Status Register 23(C66x CorePac 0 and Timer 0)
0x860	MDSTAT24	Module Status Register 24(C66x CorePac 1 [C6657 only] and Timer 1)
0x864 - 0x9FC	Reserved	Reserved
0xA00	MDCTL0	Module Control Register 0 (Never Gated)
0xA04	MDCTL1	Module Control Register 1 (SmartReflex)
0xA08	MDCTL2	Module Control Register 2 (DDR3 EMIF)
0xA0C	MDCTL3	Module Control Register 3 (EMAC)
0xA10	MDCTL4	Module Control Register 4 (VCP2_0)
0xA14	MDCTL5	Module Control Register 5 (Debug Subsystem and Tracers)
0xA18	MDCTL6	Module Control Register 6 (Per-core TETB and System TETB)
0xA1C	MDCTL7	Module Control Register 7 (Reserved)
0xA20	MDCTL8	Module Control Register 8 (Reserved)
0xA24	MDCTL9	Module Control Register 9 (Reserved)
0xA28	MDCTL10	Module Control Register 10 (PCIe)
0xA2C	MDCTL11	Module Control Register 11 (SRIO)
0xA30	MDCTL12	Module Control Register 12 (HyperLink)
0xA34	MDCTL13	Module Control Register 13 (Reserved)
0xA38	MDCTL14	Module Control Register 14 (MSMC RAM)
0xA3C	MDCTL15	Module Control Register 15 (Reserved)
0xA40	MDCTL16	Module Control Register 16 (Reserved)

**Table 7-8 PSC Register Memory Map (Part 3 of 3)**

Offset	Register	Description
0xA44	MDCTL17	Module Control Register 17 (Reserved)
0xA48	MDCTL18	Module Control Register 18 (Reserved)
0xA4C	MDCTL19	Module Control Register 19 (TCP3d)
0xA50	MDCTL20	Module Control Register 20 (VCP2_1)
0xA54	MDCTL21	Module Control Register 21(Reserved)
0xA58	MDCTL22	Module Control Register 22(Reserved)
0xA5C	MDCTL23	Module Control Register 23(C66x CorePac 0 and Timer 0)
0xA60	MDCTL24	Module Control Register 24(C66x CorePac 1 [C6657 only] and Timer 1)
0xA5C - 0xFFC	Reserved	Reserved

**End of Table 7-8**

1 VCNTLID register is available for debug purpose only.

## 7.4 Reset Controller

The reset controller detects the different type of resets supported on the TMS320C6655/57 device and manages the distribution of those resets throughout the device.

The device has several types of resets:

- Power-on reset
- Hard reset
- Soft reset
- CPU local reset

[Table 7-9](#) explains further the types of reset, the reset initiator, and the effects of each reset on the device. For more information on the effects of each reset on the PLL controllers and their clocks, see Section “[Reset Electrical Data / Timing](#)” on page 125

**Table 7-9 Reset Types**

Reset Type	Initiator	Effect on Device When Reset Occurs	RESETSTAT Pin Status
POR (Power on reset)	POR pin active low RESETFULL pin active low	Total reset of the chip. Everything on the device is reset to its default state in response to this. Activates the POR signal on chip, which is used to reset test/emu logic. Boot configurations are latched. ROM boot process is initiated.	Toggles RESETSTAT pin
Hard reset	RESET pin active low Emulation PLLCTL register (RSCTRL) Watchdog timers	Resets everything except for test/emu logic and reset isolation modules. Emulator and reset isolation modules stay alive during this reset. This reset is also different from POR in that the PLLCTL assumes power and clocks are stable when device reset is asserted. Boot configurations are not latched. ROM boot process is initiated.	Toggles RESETSTAT pin
Soft reset	RESET pin active low PLLCTL register (RSCTRL) Watchdog timers	Software can program these initiators to be hard or soft. Hard reset is the default, but can be programmed to be soft reset. Soft reset will behave like hard reset except that EMIF16 MMRs, DDR3 EMIF MMRs, sticky bits in PCIe MMRs, and external memory contents are retained. Boot configurations are not latched. ROM boot process is initiated.	Toggles RESETSTAT pin
C66x CorePac local reset	Software (through LPSC MMR) Watchdog timers LRESET pin	MMR bit in LPSC controls C66x CorePac local reset. Used by watchdog timers (in the event of a timeout) to reset C66x CorePac. Can also be initiated by LRESET device pin. C66x CorePac memory system and slave DMA port are still alive when C66x CorePac is in local reset. Provides a local reset of the C66x CorePac, without destroying clock alignment or memory contents. Does not initiate ROM boot process.	Does not toggle RESETSTAT pin

**End of Table 7-9**



### 7.4.1 Power-on Reset

Power-on reset is used to reset the entire device, including the test and emulation logic.

Power-on reset is initiated by the following

1.  $\overline{\text{POR}}$  pin
2.  $\overline{\text{RESETFULL}}$  pin

During power-up, the  $\overline{\text{POR}}$  pin must be asserted (driven low) until the power supplies have reached their normal operating conditions. A  $\overline{\text{RESETFULL}}$  pin is also provided to allow the on-board host to reset the entire device including the reset isolated logic. The assumption is that the device is already powered up and hence, unlike the  $\overline{\text{POR}}$  pin, the  $\overline{\text{RESETFULL}}$  pin will be driven by the on-board host control instead of the power-good circuitry. For power-on reset, the Main PLL Controller comes up in bypass mode and the PLL is not enabled. Other resets do not affect the state of the PLL or the dividers in the PLL controller.

The following sequence must be followed during a power-on reset:

1. Wait for all power supplies to reach normal operating conditions while keeping the  $\overline{\text{POR}}$  pin asserted (driven low). While  $\overline{\text{POR}}$  is asserted, all pins except  $\overline{\text{RESETSTAT}}$  will be set to high-impedance. After the  $\overline{\text{POR}}$  pin is de-asserted (driven high), all Z group pins, low group pins, and high group pins are set to their reset state and will remain at their reset state until otherwise configured by their respective peripheral. All peripherals that are power managed, are disabled after a power-on reset and must be enabled through the Device State Control Registers (for more details, see Section Table 3-2 “[Device State Control Registers](#)” on page 67).
2. Clocks are reset, and they are propagated throughout the device to reset any logic that was using reset synchronously. All logic is now reset and  $\overline{\text{RESETSTAT}}$  will be driven low indicating that the device is in reset.
3.  $\overline{\text{POR}}$  must be held active until all supplies on the board are stable then for at least an additional time for the chip-level PLLs to lock.
4. The  $\overline{\text{POR}}$  pin can now be de-asserted. Reset-sampled pin values are latched at this point. The chip level PLLs are taken out of reset and begin their locking sequence, and all power-on device initialization also begins.
5. After device initialization is complete, the  $\overline{\text{RESETSTAT}}$  pin is de-asserted (driven high). By this time, the DDR3 PLL has already completed its locking sequence and is outputting a valid clock. The system clocks of both PLL controllers are allowed to finish their current cycles and then paused for 10 cycles of their respective system reference clocks. After the pause, the system clocks are restarted at their default divide by settings.
6. The device is now out of reset and device execution begins as dictated by the selected boot mode.



**Note**—To most of the device, reset is de-asserted only when the  $\overline{\text{POR}}$  and  $\overline{\text{RESET}}$  pins are both de-asserted (driven high). Therefore, in the sequence described above, if the  $\overline{\text{RESET}}$  pin is held low past the low period of the  $\overline{\text{POR}}$  pin, most of the device will remain in reset. The  $\overline{\text{RESET}}$  pin should not be tied together with the  $\overline{\text{POR}}$  pin.

## 7.4.2 Hard Reset

A hard reset will reset everything on the device except the PLLs, test, emulation logic, and reset isolation modules.  $\overline{\text{POR}}$  should also remain de-asserted during this time.

Hard reset is initiated by the following:

- $\overline{\text{RESET}}$  pin
- RCTRL register in PLLCTL
- Watchdog timer
- Emulation

All the above initiators, by default, are configured to act as a hard reset. Except emulation, all the other three initiators can be configured as soft resets in the RSCFG register in PLLCTL.

The following sequence must be followed during a hard reset:

1. The  $\overline{\text{RESET}}$  pin is pulled active low for a minimum of 24 input clock cycles. During this time, the  $\overline{\text{RESET}}$  signal is able to propagate to all modules (except those specifically mentioned above). All I/O are Hi-Z for modules affected by  $\overline{\text{RESET}}$ , to prevent off-chip contention during the warm reset.
2. Once all logic is reset,  $\overline{\text{RESETSTAT}}$  is driven active to denote that the device is in reset.
3. The  $\overline{\text{RESET}}$  pin can now be released. A minimal device initialization begins to occur. Note that configuration pins are not re-latched and clocking is unaffected within the device.
4. After device initialization is complete, the  $\overline{\text{RESETSTAT}}$  pin is de-asserted (driven high).



**Note**—The  $\overline{\text{POR}}$  pin should be held inactive (high) throughout the warm reset sequence. Otherwise, if  $\overline{\text{POR}}$  is activated (brought low), the minimum  $\overline{\text{POR}}$  pulse width must be met. The  $\overline{\text{RESET}}$  pin should not be tied together with the  $\overline{\text{POR}}$  pin.

### 7.4.3 Soft Reset

A soft reset will behave like a hard reset except that the PCIe MMR sticky bits and DDR3 EMIF MMRs contents are retained.  $\overline{\text{POR}}$  should also remain de-asserted during this time.

Soft reset is initiated by the following:

- $\overline{\text{RESET}}$  pin
- RCTRL register in PLLCTL
- Watchdog timer

All the above initiators by default are configured to act as hard reset. Except emulation, all the other three initiators can be configured as soft resets in the RSCFG register in PLLCTL.

In the case of a soft reset, the clock logic or the power control logic of the peripherals are not affected, and, therefore, the enabled/disabled state of the peripherals is not affected. On a soft reset, the DDR3 memory controller registers are not reset. In addition, the DDR3 SDRAM memory content is retained if the user places the DDR3 SDRAM in self-refresh mode before invoking the soft reset.

During a soft reset, the following happens:

1. The  $\overline{\text{RESETSTAT}}$  pin goes low to indicate an internal reset is being generated. The reset is allowed to propagate through the system. Internal system clocks are not affected. PLLs also remain locked.
2. After device initialization is complete, the  $\overline{\text{RESETSTAT}}$  pin is deasserted (driven high). In addition, the PLL controllers pause their system clocks for about 8 cycles.

At this point:

- › The state of the peripherals before the soft reset is not changed.
- › The I/O pins are controlled as dictated by the DEVSTAT register.
- › The DDR3 MMRs and PCIe MMR sticky bits retain their previous values. Only the DDR3 Memory Controller and PCIe state machines are reset by the soft reset.
- › The PLL controllers are operating in the mode prior to soft reset. System clocks are unaffected.

The boot sequence is started after the system clocks are restarted. Since the configuration pins are not latched with a system reset, the previous values, as shown in the DEVSTAT register, are used to select the boot mode.

#### **7.4.4 Local Reset**

The local reset can be used to reset a particular CorePac without resetting any other chip components.

Local reset is initiated by the following (for more details see the *Phase Locked Loop (PLL) for KeyStone Devices User Guide* in [“Related Documentation from Texas Instruments”](#) on page 65:

- LRESET pin
- Watchdog timer should cause one of the below based on the setting of the CORESEL[2:0] and RSTCFG register in the PLL controller. See [“Reset Configuration Register \(RSTCFG\)”](#) on page 135 and [“CIC Registers”](#) on page 162:
  - Local Reset
  - NMI
  - NMI followed by a time delay and then a local reset for the CorePac selected
  - Hard Reset by requesting reset via PLLCTL
- LPSC MMRs (memory-mapped registers)

#### **7.4.5 Reset Priority**

If any of the above reset sources occur simultaneously, the PLLCTL processes only the highest priority reset request. The reset request priorities are as follows (high to low):

- Power-on reset
- Hard/soft reset

### 7.4.6 Reset Controller Register

The reset controller register is part of the PLLCTL MMRs. All C6655/57 device-specific MMRs are covered in Section 7.5.3 “Main PLL Control Register” on page 136. For more details on these registers and how to program them, see the *Phase Locked Loop (PLL) for Keystone Devices User Guide* in “Related Documentation from Texas Instruments” on page 65.

### 7.4.7 Reset Electrical Data / Timing

**Table 7-10 Reset Timing Requirements**<sup>(1)</sup>  
(see Figure 7-4 and Figure 7-5)

No.			Min	Max	Unit
<b>RESETFULL Pin Reset</b>					
1	tw(RESETFULL)	Pulse width - Pulse width $\overline{\text{RESETFULL}}$ low	500C		ns
<b>Soft/Hard-Reset</b>					
2	tw(RESET)	Pulse width - Pulse width $\overline{\text{RESET}}$ low	500C		ns
<b>End of Table 7-10</b>					

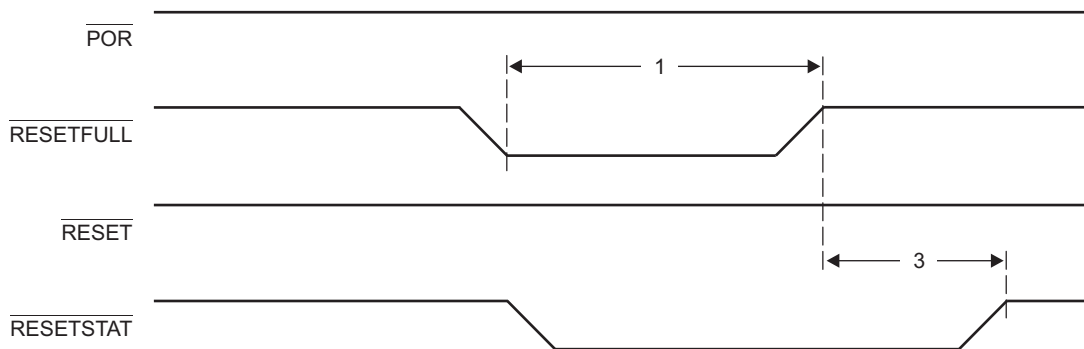
<sup>1</sup> C = 1 ÷ CORECLK(N/P) frequency in ns.

**Table 7-11 Reset Switching Characteristics Over Recommended Operating Conditions**<sup>(1)</sup>  
(see Figure 7-4 and Figure 7-5)

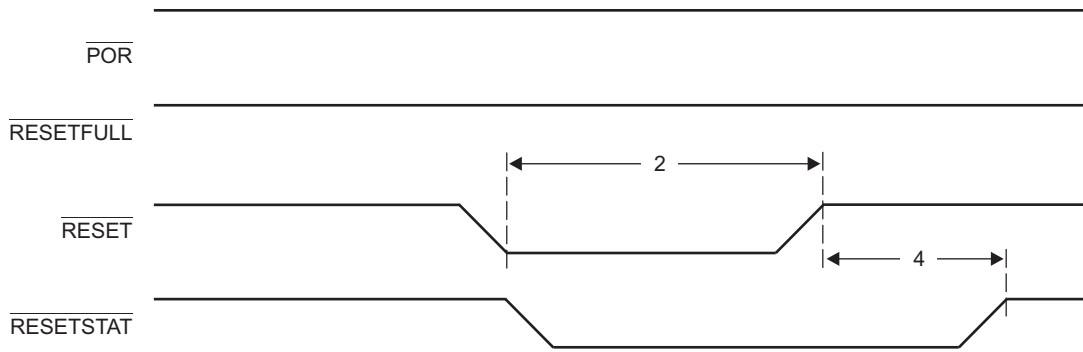
No.	Parameter	Min	Max	Unit
<b>RESETFULL Pin Reset</b>				
3	td(RESETFULLH-RESETSTATH) Delay time - RESETSTAT high after RESETFULL high		50000C	ns
<b>Soft/Hard Reset</b>				
4	td(RESETH-RESETSTATH) Delay time - RESETSTAT high after RESET high		50000C	ns
<b>End of Table 7-11</b>				

<sup>1</sup> C = 1 ÷ CORECLK(N/P) frequency in ns.

**Figure 7-4 RESETFULL Reset Timing**



**Figure 7-5 Soft/Hard-Reset Timing**



**Table 7-12 Boot Configuration Timing Requirements<sup>(1)</sup>**

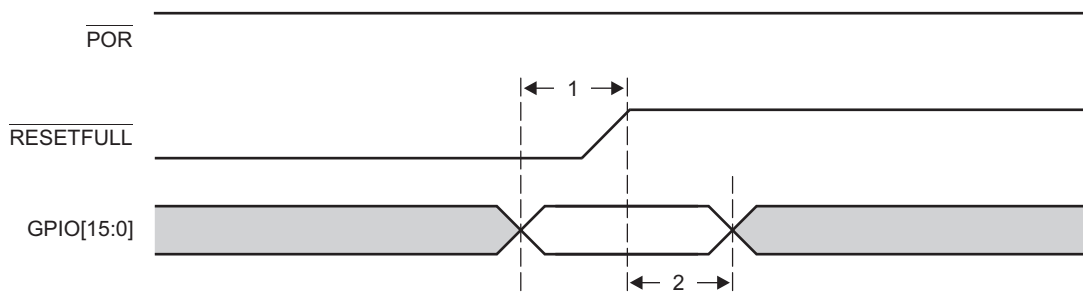
(See [Figure 7-6](#))

No.		Min	Max	Unit
1	$t_{\text{su}}(\text{GPIO}_{\text{On}}-\overline{\text{RESETFULL}})$ Setup time - GPIO valid before $\overline{\text{RESETFULL}}$ asserted	12C		ns
2	$t_{\text{h}}(\overline{\text{RESETFULL}}-\text{GPIO}_{\text{On}})$ Hold time - GPIO valid after $\overline{\text{RESETFULL}}$ asserted	12C		ns

**End of Table 7-12**

<sup>1</sup> C =  $1 \div \text{CORECLK}(\text{N/P})$  frequency in ns.

**Figure 7-6 Boot Configuration Timing**

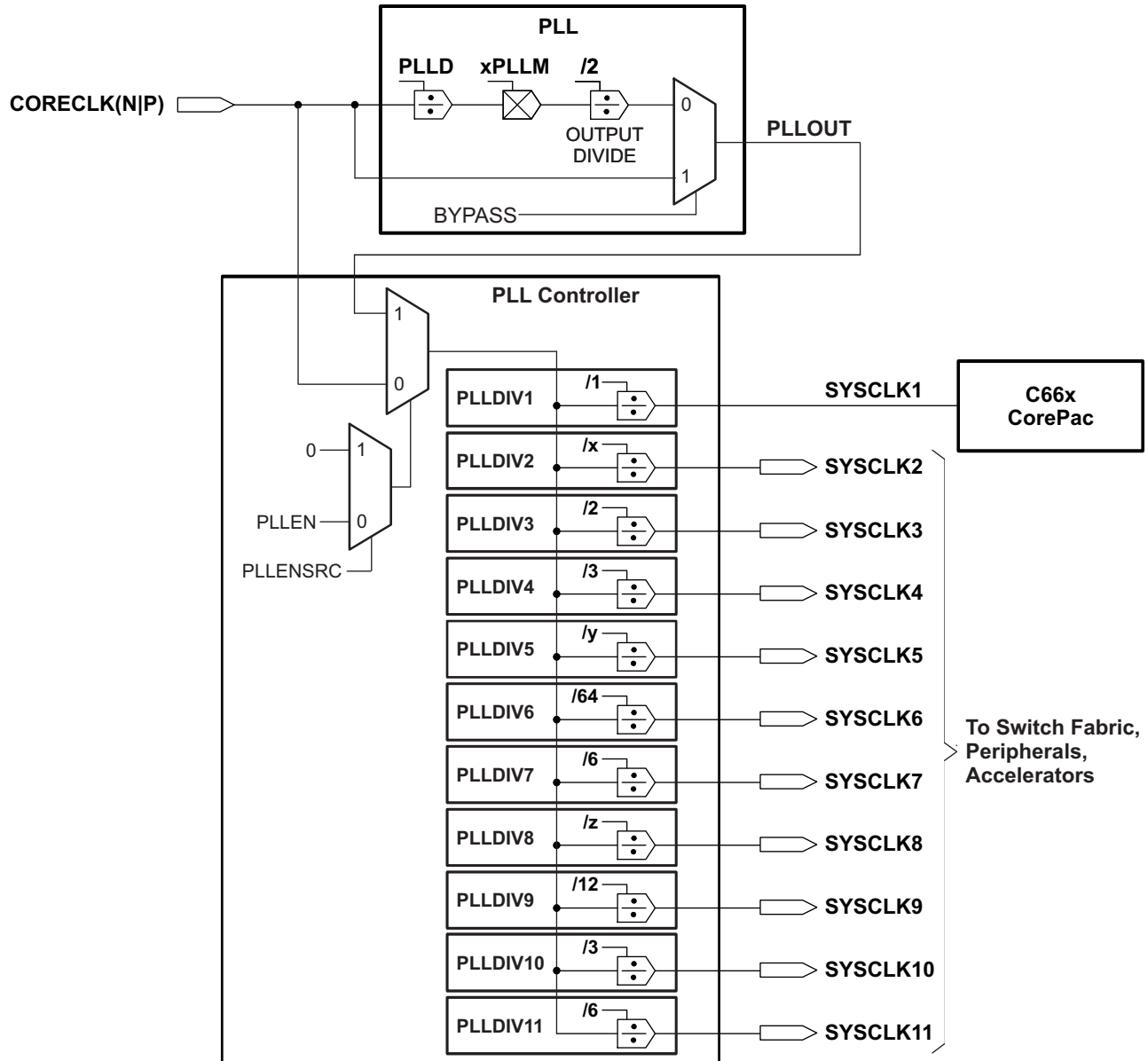


## 7.5 Main PLL and PLL Controller

This section provides a description of the Main PLL and the PLL controller. For details on the operation of the PLL controller module, see the *Phase Locked Loop (PLL) for KeyStone Devices User Guide* in “[Related Documentation from Texas Instruments](#)” on page 65.

The Main PLL is controlled by the standard PLL controller. The PLL controller manages the clock ratios, alignment, and gating for the system clocks to the device. [Figure 7-7](#) shows a block diagram of the main PLL and the PLL controller.

**Figure 7-7 Main PLL and PLL Controller**





**Note**—NOTE: PLLM[5:0] bits of the multiplier are controlled by the PLLM register inside the PLL controller and PLLM[12:6] bits are controlled by the chip level MAINPLLCTL0 register. The complete 13-bit value is latched when the GO operation is initiated in the PLL controller. Only PLLDIV2, PLLDIV5, and PLLDIV8 are programmable on the C6655/57 device. See the *Phase Locked Loop (PLL) for KeyStone Devices User Guide* in “[Related Documentation from Texas Instruments](#)” on page 65 for more details on how to program the PLL controller.

The multiplication and division ratios within the PLL and the post-division for each of the chip-level clocks are determined by a combination of this PLL and the PLL Controller. The PLL controller also controls reset propagation through the chip, clock alignment, and test points. The PLL controller monitors the PLL status and provides an output signal indicating when the PLL is locked.

Main PLL power is supplied externally via the Main PLL power-supply pin (AVDDA1). An external EMI filter circuit must be added to all PLL supplies. See the *Hardware Design Guide for KeyStone Devices* in “[Related Documentation from Texas Instruments](#)” on page 65 for detailed recommendations. For the best performance, TI recommends that all the PLL external components be on a single side of the board without jumpers, switches, or components other than those shown. For reduced PLL jitter, maximize the spacing between switching signal traces and the PLL external components (C1, C2, and the EMI Filter).

The minimum SYSCLK rise and fall times should also be observed. For the input clock timing requirements, see Section 7.5.5 “[Main PLL Controller/SRIO/HyperLink/PCIe Clock Input Electrical Data/Timing](#)”.



**CAUTION**—The PLL controller module as described in the see the *Phase Locked Loop (PLL) for KeyStone Devices User Guide* in “[Related Documentation from Texas Instruments](#)” on page 65 includes a superset of features, some of which are not supported on the TMS320C6655/57 device. The following sections describe the registers that are supported; it should be assumed that any registers not included in these sections is not supported by the device. Furthermore, only the bits within the registers described here are supported. Avoid writing to any reserved memory location or changing the value of reserved bits.

## 7.5.1 Main PLL Controller Device-Specific Information

### 7.5.1.1 Internal Clocks and Maximum Operating Frequencies

The Main PLL, used to drive the CorePacs, the switch fabric, and a majority of the peripheral clocks (all but the DDR3) requires a PLL controller to manage the various clock divisions, gating, and synchronization. The Main PLL’s PLL controller has several SYSCLK outputs that are listed below, along with the clock description. Each SYSCLK has a corresponding divider that divides down the output clock of the PLL. Note that dividers are not programmable unless explicitly mentioned in the description below.

- **SYSCLK1:** Full-rate clock for the CorePacs.
- **SYSCLK2:** 1/x-rate clock for CorePac emulation. The default rate for this is 1/3. It is programmable from /1 to /32, where this clock does not violate the max of 350 MHz. The SYSCLK2 can be turned off by software.
- **SYSCLK3:** 1/2-rate clock used to clock the MSMC, HyperLink, and DDR EMIF.
- **SYSCLK4:** 1/3-rate clock for the switch fabrics and fast peripherals. The Debug\_SS and ETBs use this as well.
- **SYSCLK5:** 1/y-rate clock for the system trace module only. The default rate for this is 1/5. It is configurable and the max configurable clock is 210 MHz and min configurable clock is 32 MHz. The SYSCLK5 can be turned off by software.
- **SYSCLK6:** 1/64-rate clock. 1/64 rate clock (emif\_ptv) used to clock the PVT-compensated buffers for DDR3 EMIF.
- **SYSCLK7:** 1/6-rate clock for slow peripherals and sources the SYSCLKOUT output pin.



- **SYSCLK8:** 1/z-rate clock. This clock is used as slow\_sysclk in the system. Default is 1/64. It is programmable from /24 to /80.
- **SYSCLK9:** 1/12-rate clock for SmartReflex.
- **SYSCLK10:** 1/3-rate clock for SRIO only.
- **SYSCLK11:** 1/6-rate clock for PSC only.

Only SYSCLK2, SYSCLK5, and SYSCLK8 are programmable on the TMS320C6655/57 device.



**Note**—In case any of the other programmable SYSCLKs are set slower than 1/64 rate, then SYSCLK8 (SLOW\_SYSCLK) needs to be programmed to either match, or be slower than, the slowest SYSCLK in the system.

### 7.5.1.2 Main PLL Controller Operating Modes

The Main PLL controller has two modes of operation: bypass mode and PLL mode. The mode of operation is determined by BYPASS bit of the PLL Secondary Control Register (SECCTL). In PLL mode, SYSCLK1 is generated from the PLL output using the values set in PLLM and PLLD bit fields in the MAINPLLCTL0 Register. In bypass mode, PLL input is fed directly out as SYSCLK1.

All hosts must hold off accesses to the DSP while the frequency of its internal clocks is changing. A mechanism must be in place such that the DSP notifies the host when the PLL configuration has completed.

### 7.5.1.3 Main PLL Stabilization, Lock, and Reset Times

The PLL stabilization time is the amount of time that must be allotted for the internal PLL regulators to become stable after device powerup. The PLL should not be operated until this stabilization time has elapsed.

The PLL reset time is the amount of wait time needed when resetting the PLL (writing PLLRST = 1), in order for the PLL to properly reset, before bringing the PLL out of reset (writing PLLRST = 0). For the Main PLL reset time value, see [Table 7-13](#).

The PLL lock time is the amount of time needed from when the PLL is taken out of reset (PLLRST = 1 with PLEN = 0) to when the PLL controller can be switched to PLL mode (PLEN = 1). The Main PLL lock time is given in [Table 7-13](#).

**Table 7-13 Main PLL Stabilization, Lock, and Reset Times**

	Min	Typ	Max	Unit
PLL stabilization time	100			μs
PLL lock time		$500 \times (\text{PLLD}^{(1)} + 1) \times C^{(2)}$		
PLL reset time	1000			ns
<b>End of Table 7-13</b>				

1 PLLD is the value in PLLD bit fields of MAINPLLCTL0 register

2 C = SYSCLK1(N|P) cycle time in ns.

# TMS320C6655/57

## Fixed and Floating-Point Digital Signal Processor

SPRS814A—August 2012

### 7.5.2 PLL Controller Memory Map

The memory map of the PLL controller is shown in [Table 7-14](#). TMS320C6655/57-specific PLL Controller register definitions can be found in the sections following [Table 7-14](#). For other registers in the table, see the *Phase Locked Loop (PLL) for KeyStone Devices User Guide* in “[Related Documentation from Texas Instruments](#)” on page 65.



**CAUTION**—Note that only registers documented here are accessible on the TMS320C6655/57. Other addresses in the PLL controller memory map including the reserved registers should not be modified. Furthermore, only the bits within the registers described here are supported. Avoid writing to any reserved memory location or changing the value of reserved bits. It is recommended to use read-modify-write sequence to make any changes to the valid bits in the register.

**Table 7-14 PLL Controller Registers (Including Reset Controller) (Part 1 of 2)**

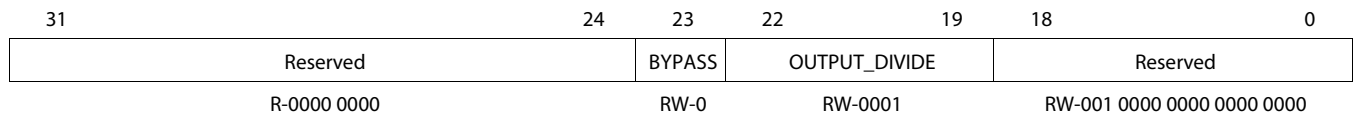
Hex Address Range	Field	Register Name
0231 0000 - 0231 00E3	-	Reserved
0231 00E4	RSTYPE	Reset Type Status Register (Reset Controller)
0231 00E8	RSTCTRL	Software Reset Control Register (Reset Controller)
0231 00EC	RSTCFG	Reset Configuration Register (Reset Controller)
0231 00F0	RSISO	Reset Isolation Register (Reset Controller)
0231 00F0 - 0231 00FF	-	Reserved
0231 0100	PLLCTL	PLL Control Register
0231 0104	-	Reserved
0231 0108	SECCTL	PLL Secondary Control Register
0231 010C	-	Reserved
0231 0110	PLLM	PLL Multiplier Control Register
0231 0114	-	Reserved
0231 0118	PLLDIV1	Reserved
0231 011C	PLLDIV2	PLL Controller Divider 2 Register
0231 0120	PLLDIV3	Reserved
0231 0124	-	Reserved
0231 0128	-	Reserved
0231 012C - 0231 0134	-	Reserved
0231 0138	PLLCMD	PLL Controller Command Register
0231 013C	PLLSTAT	PLL Controller Status Register
0231 0140	ALNCTL	PLL Controller Clock Align Control Register
0231 0144	DCHANGE	PLLDIV Ratio Change Status Register
0231 0148	CKEN	Reserved
0231 014C	CKSTAT	Reserved
0231 0150	SYSTAT	SYSCLK Status Register
0231 0154 - 0231 015C	-	Reserved
0231 0160	PLLDIV4	Reserved
0231 0164	PLLDIV5	PLL Controller Divider 5 Register
0231 0168	PLLDIV6	Reserved
0231 016C	PLLDIV7	Reserved
0231 0170	PLLDIV8	PLL Controller Divider 8 Register

**Table 7-14 PLL Controller Registers (Including Reset Controller) (Part 2 of 2)**

Hex Address Range	Field	Register Name
0231 0174 - 0231 0193	PLLDIV9 - PLLDIV16	Reserved
0231 0194 - 0231 01FF	-	Reserved
<b>End of Table 7-14</b>		

### 7.5.2.1 PLL Secondary Control Register (SECCTL)

The PLL Secondary Control Register contains extra fields to control the Main PLL and is shown in [Figure 7-8](#) and described in [Table 7-15](#).

**Figure 7-8 PLL Secondary Control Register (SECCTL)**


Legend: R/W = Read/Write; R = Read only; -n = value after reset

**Table 7-15 PLL Secondary Control Register (SECCTL) Field Descriptions**

Bit	Field	Description
31-24	Reserved	Reserved
23	BYPASS	Main PLL Bypass Enable. 0 = Main PLL Bypass disabled. 1 = Main PLL Bypass enabled.
22-19	OUTPUT_DIVIDE	Output Divider ratio bits. 0h = ÷1. Divide frequency by 1. 1h = ÷2. Divide frequency by 2. 2h - Fh = Reserved.
18-0	Reserved	Reserved
<b>End of Table 7-15</b>		

**7.5.2.2 PLL Controller Divider Register (PLLDIV2, PLLDIV5, PLLDIV8)**

The PLL Controller Divider Registers (PLLDIV2, PLLDIV5, and PLLDIV8) are shown in [Figure 7-9](#) and described in [Table 7-16](#). The default values of the RATIO field on a reset for PLLDIV2, PLLDIV5, and PLLDIV8 are different and mentioned in the footnote of [Figure 7-9](#).

**Figure 7-9 PLL Controller Divider Register (PLLDIVn)**

31	16	15	14	8	7	0
Reserved		Dn <sup>(1)</sup> EN	Reserved		RATIO	
R-0		R/W-1	R-0		R/W-n <sup>(2)</sup>	

Legend: R/W = Read/Write; R = Read only; -n = value after reset

1 D2EN for PLLDIV2; D5EN for PLLDIV5; D8EN for PLLDIV8  
 2 n=02h for PLLDIV2; n=04h for PLLDIV5; n=3Fh for PLLDIV8

**Table 7-16 PLL Controller Divider Register (PLLDIVn) Field Descriptions**

Bit	Field	Description
31-16	Reserved	Reserved.
15	DnEN	Divider Dn enable bit. (see footnote of <a href="#">Figure 7-9</a> ) 0 = Divider n is disabled. 1 = No clock output. Divider n is enabled.
14-8	Reserved	Reserved. The reserved bit location is always read as 0. A value written to this field has no effect.
7-0	RATIO	Divider ratio bits. (see footnote of <a href="#">Figure 7-9</a> ) 0h = ÷1. Divide frequency by 1. 1h = ÷2. Divide frequency by 2. 2h = ÷3. Divide frequency by 3. 3h = ÷4. Divide frequency by 4. 4h - 4Fh = ÷5 to ÷80. Divide frequency by 5 to divide frequency by 80.

**End of Table 7-16**

**7.5.2.3 PLL Controller Clock Align Control Register (ALNCTL)**

The PLL controller clock align control register (ALNCTL) is shown in [Figure 7-10](#) and described in [Table 7-17](#).

**Figure 7-10 PLL Controller Clock Align Control Register (ALNCTL)**

31	8	7	6	5	4	3	2	1	0
Reserved		ALN8	Reserved	ALN5	Reserved	ALN2	Reserved		
R-0		R/W-1	R-0	R/W-1	R-0	R/W-1	R-0		

Legend: R/W = Read/Write; R = Read only; -n = value after reset, for reset value

**Table 7-17 PLL Controller Clock Align Control Register (ALNCTL) Field Descriptions**

Bit	Field	Description
31-8 6-5 3-2 0	Reserved	Reserved. The reserved bit location is always read as 0. A value written to this field has no effect.
7 4 1	ALN8 ALN5 ALN2	SYSClKn alignment. Do not change the default values of these fields. 0 = Do not align SYSClKn to other SYSClKs during GO operation. If SYSn in DCHANGE is set, SYSClKn switches to the new ratio immediately after the GOSET bit in PLLCMD is set. 1 = Align SYSClKn to other SYSClKs selected in ALNCTL when the GOSET bit in PLLCMD is set and SYSn in DCHANGE is 1. The SYSClKn rate is set to the ratio programmed in the RATIO bit in PLLDIVn.

**End of Table 7-17**

### 7.5.2.4 PLLDIV Divider Ratio Change Status Register (DCHANGE)

When a different ratio is written to the PLLDIV $n$  registers, the PLLCTL flags the change in the DCHANGE Status Register. During the GO operation, the PLL controller will change only the divide ratio of the SYSCLKs with the bit set in DCHANGE. Note that the ALNCTL Register determines if that clock also needs to be aligned to other clocks. The PLLDIV divider ratio change status register is shown in [Figure 7-11](#) and described in [Table 7-18](#).

**Figure 7-11 PLLDIV Divider Ratio Change Status Register (DCHANGE)**

31	8	7	6	5	4	3	2	1	0
Reserved		SYS8	Reserved		SYS5	Reserved		SYS2	Reserved
R-0		R/W-0	R-0		R/W-0	R-0		R/W-0	R-0

Legend: R/W = Read/Write; R = Read only; -n = value after reset, for reset value

**Table 7-18 PLLDIV Divider Ratio Change Status Register (DCHANGE) Field Descriptions**

Bit	Field	Description
31-8 6-5 3-2 0	Reserved	Reserved. The reserved bit location is always read as 0. A value written to this field has no effect.
7 4 1	SYS8 SYS5 SYS2	Identifies when the SYSCLK $n$ divide ratio has been modified. 0 = SYSCLK $n$ ratio has not been modified. When GOSET is set, SYSCLK $n$ will not be affected. 1 = SYSCLK $n$ ratio has been modified. When GOSET is set, SYSCLK $n$ will change to the new ratio.
<b>End of Table 7-18</b>		

### 7.5.2.5 SYSCLK Status Register (SYSTAT)

The SYSCLK Status Register (SYSTAT) shows the status of SYSCLK[11:1]. SYSTAT is shown in [Figure 7-12](#) and described in [Table 7-19](#).

**Figure 7-12 SYSCLK Status Register (SYSTAT)**

31	11	10	9	8	7	6	5	4	3	2	1	0
Reserved		SYS11ON	SYS10ON	SYS9ON	SYS8ON	SYS7ON	SYS6ON	SYS5ON	SYS4ON	SYS3ON	SYS2ON	SYS1ON
R-n		R-1	R-1	R-1	R-1	R-1	R-1	R-1	R-1	R-1	R-1	R-1

Legend: R/W = Read/Write; R = Read only; -n = value after reset

**Table 7-19 SYSCLK Status Register (SYSTAT) Field Descriptions**

Bit	Field	Description
31-11	Reserved	Reserved. The reserved bit location is always read as 0. A value written to this field has no effect.
10-0	SYS[N <sup>(1)</sup> ]ON	SYSCLK[N] on status. 0 = SYSCLK[N] is gated. 1 = SYSCLK[N] is on.
<b>End of Table 7-19</b>		

1 Where N = 1, 2, 3,...N (Not all these output clocks may be used on a specific device. For more information, see the device-specific data manual)

### 7.5.2.6 Reset Type Status Register (RSTYPE)

The Reset Type Status (RSTYPE) Register latches the cause of the last reset. If multiple reset sources occur simultaneously, this register latches the highest priority reset source. The Reset Type Status Register is shown in [Figure 7-13](#) and described in [Table 7-20](#).

**Figure 7-13 Reset Type Status Register (RSTYPE)**

31	29	28	27	12	11	8	7	3	2	1	0	
Reserved		EMU-RST	Reserved			WDRST[N]		Reserved		PLLCTLRST	$\overline{\text{RESET}}$	POR
R-0		R-0	R-0			R-0		R-0		R-0	R-0	R-0

Legend: R = Read only; -n = value after reset

**Table 7-20 Reset Type Status Register (RSTYPE) Field Descriptions**

Bit	Field	Description
31-29	Reserved	Reserved. Read only. Always reads as 0. Writes have no effect.
28	EMU-RST	Reset initiated by emulation. 0 = Not the last reset to occur. 1 = The last reset to occur.
27-12	Reserved	Reserved. Read only. Always reads as 0. Writes have no effect.
11 10 9 8	WDRST3 WDRST2 WDRST1 WDRST0	Reset initiated by watchdog timer[N]. 0 = Not the last reset to occur. 1 = The last reset to occur.
7-3	Reserved	Reserved. Read only. Always reads as 0. Writes have no effect.
2	PLLCTLRST	Reset initiated by PLLCTL. 0 = Not the last reset to occur. 1 = The last reset to occur.
1	$\overline{\text{RESET}}$	$\overline{\text{RESET}}$ reset. 0 = $\overline{\text{RESET}}$ was not the last reset to occur. 1 = $\overline{\text{RESET}}$ was the last reset to occur.
0	POR	Power-on reset. 0 = Power-on reset was not the last reset to occur. 1 = Power-on reset was the last reset to occur.
<b>End of Table 7-20</b>		

### 7.5.2.7 Reset Control Register (RSTCTRL)

This register contains a key that enables writes to the MSB of this register and the RSTCFG Register. The key value is 0x5A69. A valid key will be stored as 0x000C, any other key value is invalid. When the RSTCTRL or the RSTCFG is written, the key is invalidated. Every write must be set up with a valid key. The Software Reset Control Register (RSTCTRL) is shown in [Figure 7-14](#) and described in [Table 7-21](#).

**Figure 7-14 Reset Control Register (RSTCTRL)**

31	17	16	15	0
Reserved		SWRST	KEY	
R-0x0000		R/W-0x <sup>(1)</sup>	R/W-0x0003	

Legend: R = Read only; -n = value after reset;

<sup>1</sup> Writes are conditional based on valid key.

**Table 7-21 Reset Control Register (RSTCTRL) Field Descriptions**

Bit	Field	Description
31-17	Reserved	Reserved.
16	SWRST	Software reset 0 = Reset 1 = Not reset
15-0	KEY	Key used to enable writes to RSTCTRL and RSTCFG.
<b>End of Table 7-21</b>		

### 7.5.2.8 Reset Configuration Register (RSTCFG)

This register is used to configure the type of reset initiated by  $\overline{\text{RESET}}$ , watchdog timer and the PLL controller's RSTCTRL Register; i.e., a hard reset or a soft reset. By default, these resets will be hard resets. The Reset Configuration Register (RSTCFG) is shown in [Figure 7-15](#) and described in [Table 7-22](#).

**Figure 7-15 Reset Configuration Register (RSTCFG)**

31	14	13	12	11	4	3	0
Reserved		PLLCLRSTTYPE	$\overline{\text{RESET}}\text{TYPE}$	Reserved		WDTYPE[N] <sup>(1)</sup>	
R-0		R/W-0 <sup>(2)</sup>	R/W-0 <sup>2</sup>	R-0		R/W-0 <sup>2</sup>	

Legend: R = Read only; R/W = Read/Write; -n = value after reset

1 Where N = 1, 2, 3,...,N (Not all these output may be used on a specific device. For more information, see the device-specific data manual)

2 Writes are conditional based on valid key. For details, see Section 7.5.2.7 "Reset Control Register (RSTCTRL)".

**Table 7-22 Reset Configuration Register (RSTCFG) Field Descriptions**

Bit	Field	Description
31-14	Reserved	Reserved.
13	PLLCLRSTTYPE	PLL controller initiates a software-driven reset of type: 0 = Hard reset (default) 1 = Soft reset
12	$\overline{\text{RESET}}\text{TYPE}$	$\overline{\text{RESET}}$ initiates a reset of type: 0 = Hard Reset (default) 1 = Soft Reset
11-4	Reserved	Reserved.
3	WDTYPE3	Watchdog timer [N] initiates a reset of type: 0 = Hard Reset (default) 1 = Soft Reset
2	WDTYPE2	
1	WDTYPE1	
0	WDTYPE0	
<b>End of Table 7-22</b>		

### 7.5.2.9 Reset Isolation Register (RSISO)

This register is used to select the module clocks that must maintain their clocking without pausing through non power-on reset. Setting any of these bits effectively blocks reset to all PLLCTL registers in order to maintain current values of PLL multiplier, divide ratios, and other settings. Along with setting module specific bit in RSISO, the corresponding MDCTLx[12] bit also needs to be set in PSC to reset-isolate a particular module. For more information on MDCTLx Register see the *Power Sleep Controller (PSC) for KeyStone Devices User Guide* in “[Related Documentation from Texas Instruments](#)” on page 65. The Reset Isolation Register (RSTCTRL) is shown below.

**Figure 7-16 Reset Isolation Register (RSISO)**

31	10	9	8	7	0
Reserved		SRIOISO	SRISO	Reserved	
R-0		R/W-0	R/W-0	R-0	

Legend: R = Read only; R/W = Read/Write; -n = value after reset

**Table 7-23 Reset Isolation Register (RSISO) Field Descriptions**

Bit	Field	Description
31-10	Reserved	Reserved.
9	SRIOISO	Isolate SRIO module 0 = Not reset isolated 1 = Reset Isolated
8	SRISO	Isolate SmartReflex 0 = Not reset isolated 1 = Reset Isolated
7-0	Reserved	Reserved.

**End of Table 7-23**



**Note**—The boot ROM code will enable the reset isolation for both SRIO and SmartReflex modules during boot with the Reset Isolation Register. It is up to the user application to disable.

### 7.5.3 Main PLL Control Register

The Main PLL uses two chip-level registers (MAINPLLCTL0 and MAINPLLCTL1) along with the PLL controller for its configuration. These MMRs exist inside the Bootcfg space. To write to these registers, software should go through an unlocking sequence using KICK0/KICK1 registers. For valid configurable values into the MAINPLLCTL0 and MAINPLLCTL1 Registers, see Section 2.5.3 “[PLL Boot Configuration Settings](#)” on page 33. See section 3.3.4 “[Kicker Mechanism \(KICK0 and KICK1\) Register](#)” on page 72 for the address location of the registers and locking and unlocking sequences for accessing the registers. The registers are reset on POR only.

**Figure 7-17 Main PLL Control Register 0 (MAINPLLCTL0)**

31	24	23	19	18	12	11	6	5	0
BWADJ[7:0]		Reserved		PLLM[12:6]		Reserved		PLLD	
RW-0000 0101		RW-0000 0		RW-0000000		RW-000000		RW-000000	

Legend: RW = Read/Write; -n = value after reset



**Table 7-24 Main PLL Control Register 0 (MAINPLLCTL0) Field Descriptions**

Bit	Field	Description
31-24	BWADJ[7:0]	BWADJ[11:8] and BWADJ[7:0] are located in separate registers. The combination (BWADJ[11:0]) should be programmed to a value equal to half of PLLM[12:0] if PLLM has even values or to be rounded half down of PLLM[12:0] if PLLM has odd values. Example: PLLM=15, then BWADJ=7
23-19	Reserved	Reserved
18-12	PLLM[12:6]	A 13-bit bus that selects the values for the multiplication factor (see Note below)
11-6	Reserved	Reserved
5-0	PLLD	A 6-bit bus that selects the values for the reference divider
<b>End of Table 7-24</b>		

**Figure 7-18 Main PLL Control Register 1 (MAINPLLCTL1)**

31	7	6	5	4	3	0	
Reserved					ENSAT	Reserved	BWADJ[11:8]
RW-000000000000000000000000					RW-0	RW-00	RW-0000

Legend: RW = Read/Write; -n = value after reset

**Table 7-25 Main PLL Control Register 1 (MAINPLLCTL1) Field Descriptions**

Bit	Field	Description
31-7	Reserved	Reserved
6	ENSAT	Needs to be set to 1 for proper operation of PLL
5-4	Reserved	Reserved
3-0	BWADJ[11:8]	BWADJ[11:8] and BWADJ[7:0] are located in separate registers. The combination (BWADJ[11:0]) should be programmed to a value equal to half of PLLM[12:0] if PLLM has even values or to be rounded half down of PLLM[12:0] if PLLM has odd values. Example: PLLM=15, then BWADJ=7
<b>End of Table 7-25</b>		



**Note**—PLLM[5:0] bits of the multiplier are controlled by the PLLM Register inside the PLL controller and PLLM[12:6] bits are controlled by the MAINPLLCTL0 chip-level register. The MAINPLLCTL0 Register PLLM[12:6] bits should be written just before writing to the PLLM Register PLLM[5:0] bits in the controller to have the complete 13-bit value latched when the GO operation is initiated in the PLL controller. See the *Phase Locked Loop (PLL) for KeyStone Devices User Guide* in “[Related Documentation from Texas Instruments](#)” on page 65 for the recommended programming sequence. Output divide ratio and bypass enable/disable of the Main PLL is controlled by the SECCTL Register in the PLL Controller. See the 7.5.2.1 “[PLL Secondary Control Register \(SECCTL\)](#)” for more details.

### 7.5.4 Main PLL and PLL Controller Initialization Sequence

See the *Phase Locked Loop (PLL) for KeyStone Devices User Guide* in “[Related Documentation from Texas Instruments](#)” on page 65 for details on the initialization sequence for Main PLL and PLL Controller.

# TMS320C6655/57

## Fixed and Floating-Point Digital Signal Processor

SPRS814A—August 2012



www.ti.com

### 7.5.5 Main PLL Controller/SRIO/HyperLink/PCIe Clock Input Electrical Data/Timing

**Table 7-26 Main PLL Controller/SRIO/HyperLink/PCIe Clock Input Timing Requirements (Part 1 of 2)**  
(see Figure 7-19 and Figure 7-20)

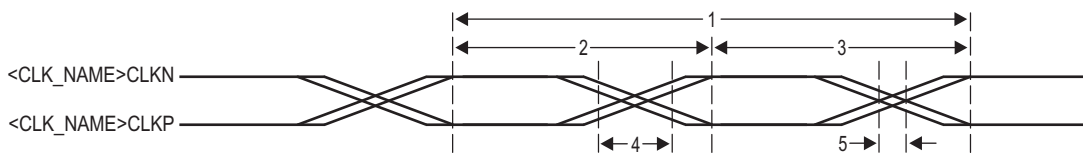
No.			Min	Max	Unit
<b>CORECLK[P:N]</b>					
1	tc(CORCLKN)	Cycle time _ CORECLKN cycle time	3.2	25	ns
1	tc(CORECLKP)	Cycle time _ CORECLKP cycle time	3.2	25	ns
3	tw(CORECLKN)	Pulse width _ CORECLKN high	0.45*tc(CORECLKN)	0.55*tc(CORECLKN)	ns
2	tw(CORECLKN)	Pulse width _ CORECLKN low	0.45*tc(CORECLKN)	0.55*tc(CORECLKN)	ns
2	tw(CORECLKP)	Pulse width _ CORECLKP high	0.45*tc(CORECLKP)	0.55*tc(CORECLKP)	ns
3	tw(CORECLKP)	Pulse width _ CORECLKP low	0.45*tc(CORECLKP)	0.55*tc(CORECLKP)	ns
4	tr(CORECLKN_250mv)	Transition time _ CORECLKN rise time (250 mV)	50	350	ps
4	tf(CORECLKN_250mv)	Transition time _ CORECLKN fall time (250 mV)	50	350	ps
4	tr(CORECLKP_250mv)	Transition time _ CORECLKP rise time (250 mV)	50	350	ps
4	tf(CORECLKP_250mv)	Transition time _ CORECLKP fall time (250 mV)	50	350	ps
5	tj(CORECLKN)	Jitter, peak_to_peak _ periodic CORECLKN		100	ps
5	tj(CORECLKP)	Jitter, peak_to_peak _ periodic CORECLKP		100	ps
<b>SRIOSMGMIICLK[P:N]</b>					
1	tc(SRIOSMGMIICLKN)	Cycle time _ SRIOSMGMIICLKN cycle time	3.2	6.4	ns
1	tc(SRIOSMGMIICLKP)	Cycle time _ SRIOSMGMIICLKP cycle time	3.2	6.4	ns
3	tw(SRIOSMGMIICLKN)	Pulse width _ SRIOSMGMIICLKN high	0.45*tc(SRIOSMGMIICLKN)	0.55*tc(SRIOSMGMIICLKN)	ns
2	tw(SRIOSMGMIICLKN)	Pulse width _ SRIOSMGMIICLKN low	0.45*tc(SRIOSMGMIICLKN)	0.55*tc(SRIOSMGMIICLKN)	ns
2	tw(SRIOSMGMIICLKP)	Pulse width _ SRIOSMGMIICLKP high	0.45*tc(SRIOSMGMIICLKP)	0.55*tc(SRIOSMGMIICLKP)	ns
3	tw(SRIOSMGMIICLKP)	Pulse width _ SRIOSMGMIICLKP low	0.45*tc(SRIOSMGMIICLKP)	0.55*tc(SRIOSMGMIICLKP)	ns
4	tr(SRIOSMGMIICLKN_250mv)	Transition time _ SRIOSMGMIICLKN rise time (250 mV)	50	350	ps
4	tf(SRIOSMGMIICLKN_250mv)	Transition time _ SRIOSMGMIICLKN fall time (250 mV)	50	350	ps
4	tr(SRIOSMGMIICLKP_250mv)	Transition time _ SRIOSMGMIICLKP rise time (250 mV)	50	350	ps
4	tf(SRIOSMGMIICLKP_250mv)	Transition time _ SRIOSMGMIICLKP fall time (250 mV)	50	350	ps
5	tj(SRIOSMGMIICLKN)	Jitter, peak_to_peak _ periodic SRIOSMGMIICLKN		4	ps,RMS
5	tj(SRIOSMGMIICLKP)	Jitter, peak_to_peak _ periodic SRIOSMGMIICLKP		4	ps,RMS
5	tj(SRIOSMGMIICLKN)	Jitter, peak_to_peak _ periodic SRIOSMGMIICLKN (SRIO not used)		8	ps,RMS
5	tj(SRIOSMGMIICLKP)	Jitter, peak_to_peak _ periodic SRIOSMGMIICLKP (SRIO not used)		8	ps,RMS

**Table 7-26 Main PLL Controller/SRIO/HyperLink/PCIe Clock Input Timing Requirements (Part 2 of 2)**  
(see Figure 7-19 and Figure 7-20)

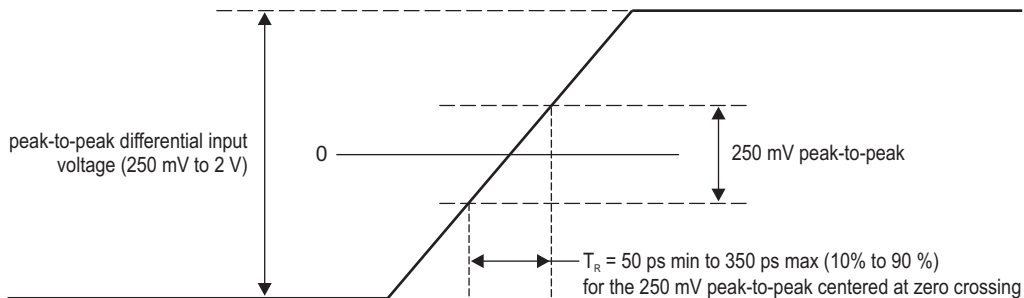
No.			Min	Max	Unit
<b>HyperLinkCLK[P:N]</b>					
1	tc(MCMCLKN)	Cycle time _ MCMCLKN cycle time	3.2	6.4	ns
1	tc(MCMCLKP)	Cycle time _ MCMCLKP cycle time	3.2	6.4	ns
3	tw(MCMCLKN)	Pulse width _ MCMCLKN high	0.45*tc(MCMCLKN)	0.55*tc(MCMCLKN)	ns
2	tw(MCMCLKN)	Pulse width _ MCMCLKN low	0.45*tc(MCMCLKN)	0.55*tc(MCMCLKN)	ns
2	tw(MCMCLKP)	Pulse width _ MCMCLKP high	0.45*tc(MCMCLKP)	0.55*tc(MCMCLKP)	ns
3	tw(MCMCLKP)	Pulse width _ MCMCLKP low	0.45*tc(MCMCLKP)	0.55*tc(MCMCLKP)	ns
4	tr(MCMCLKN_250mv)	Transition time _ MCMCLKN rise time (250mV)	50	350	ps
4	tf(MCMCLKN_250mv)	Transition time _ MCMCLKN fall time (250mV)	50	350	ps
4	tr(MCMCLKP_250mv)	Transition time _ MCMCLKP rise time (250mV)	50	350	ps
4	tf(MCMCLKP_250mv)	Transition time _ MCMCLKP fall time (250mV)	50	350	ps
5	tj(MCMCLKN)	Jitter, peak_to_peak_periodic MCMCLKN		4	ps,RMS
5	tj(MCMCLKP)	Jitter, peak_to_peak_periodic MCMCLKP		4	ps,RMS
<b>PCIECLK[P:N]</b>					
1	tc(PCIECLKN)	Cycle time _ PCIECLKN cycle time	3.2	10	ns
1	tc(PCIECLKP)	Cycle time _ PCIECLKP cycle time	3.2	10	ns
3	tw(PCIECLKN)	Pulse width _ PCIECLKN high	0.45*tc(PCIECLKN)	0.55*tc(PCIECLKN)	ns
2	tw(PCIECLKN)	Pulse width _ PCIECLKN low	0.45*tc(PCIECLKN)	0.55*tc(PCIECLKN)	ns
2	tw(PCIECLKP)	Pulse width _ PCIECLKP high	0.45*tc(PCIECLKP)	0.55*tc(PCIECLKP)	ns
3	tw(PCIECLKP)	Pulse width _ PCIECLKP low	0.45*tc(PCIECLKP)	0.55*tc(PCIECLKP)	ns
4	tr(PCIECLKN_250mv)	Transition time _ PCIECLKN rise time (250 mV)	50	350	ps
4	tf(PCIECLKN_250mv)	Transition time _ PCIECLKN fall time (250 mV)	50	350	ps
4	tr(PCIECLKP_250mv)	Transition time _ PCIECLKP rise time (250 mV)	50	350	ps
4	tf(PCIECLKP_250mv)	Transition time _ PCIECLKP fall time (250 mV)	50	350	ps
5	tj(PCIECLKN)	Jitter, peak_to_peak_periodic PCIECLKN		4	ps,RMS
5	tj(PCIECLKP)	Jitter, peak_to_peak_periodic PCIECLKP		4	ps,RMS

End of Table 7-26

**Figure 7-19 Main PLL Controller/SRIO/HyperLink/PCIe Clock Input Timing**



**Figure 7-20 Main PLL Clock Input Transition Time**



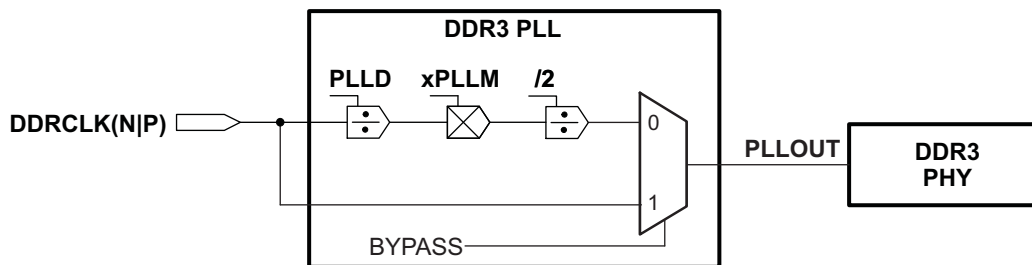
## 7.6 DD3 PLL

The DDR3 PLL generates interface clocks for the DDR3 memory controller. When coming out of power-on reset, the DDR3 PLL is programmed to a valid frequency during the boot config before being enabled and used.

DDR3 PLL power is supplied externally via the Main PLL power-supply pin (AVDDA2). An external EMI filter circuit must be added to all PLL supplies. See the *Hardware Design Guide for KeyStone Devices* in “[Related Documentation from Texas Instruments](#)” on page 65. For the best performance, TI recommends that all the PLL external components be on a single side of the board without jumpers, switches, or components other than those shown. For reduced PLL jitter, maximize the spacing between switching signal traces and the PLL external components (C1, C2, and the EMI Filter).

Figure 7-21 shows the DDR3 PLL.

**Figure 7-21 DDR3 PLL Block Diagram**



### 7.6.1 DDR3 PLL Control Register

The DDR3 PLL, which is used to drive the DDR PHY for the EMIF, does not use a PLL controller. The DDR3 PLL can be controlled using the DDR3PLLCTL0 and DDR3PLLCTL1 Registers located in the Bootcfg module. These MMRs exist inside the Bootcfg space. To write to these registers, software should go through an un-locking sequence using the KICK0/KICK1 registers. For suggested configurable values, see section 3.3.4 “[Kicker Mechanism \(KICK0 and KICK1\) Register](#)” on page 72 for the address location of the registers and locking and unlocking sequences for accessing the registers. This register is reset on  $\overline{\text{POR}}$  only.

**Figure 7-22 DDR3 PLL Control Register 0 (DDR3PLLCTL0) <sup>(1)</sup>**

31	24	23	22	19	18	6	5	0
BWADJ[7:0]	BYPASS	Reserved	PLLM			PLLD		
RW,+0000 1001	RW,+0	RW,+0001	RW,+0000000010011			RW,+000000		

Legend: RW = Read/Write; -n = value after reset

<sup>1</sup> This register is Reset on POR only. The regreset, reset and breset from PLL are all tied to a common pll0\_ctrl\_rst\_n The pwrdrn, regpwrdrn, bgpwrdrn are all tied to common pll0\_ctrl\_to\_pll\_pwrdrn.

**Table 7-27 DDR3 PLL Control Register 0 Field Descriptions (Part 1 of 2)**

Bit	Field	Description
31-24	BWADJ[7:0]	BWADJ[11:8] and BWADJ[7:0] are located in DDR3PLLCTL0 and DDR3PLLCTL1 registers. The combination (BWADJ[11:0]) should be programmed to a value equal to half of PLLM[12:0] if PLLM has even values or to be rounded half down of PLLM[12:0] if PLLM has odd values. Example: PLLM=15, then BWADJ=7
23	BYPASS	Enable bypass mode 0 = Bypass disabled 1 = Bypass enabled
22-19	Reserved	Reserved

**Table 7-27 DDR3 PLL Control Register 0 Field Descriptions (Part 2 of 2)**

Bit	Field	Description
18-6	PLLM	A 13-bit bus that selects the values for the multiplication factor
5-0	PLLD	A 6-bit bus that selects the values for the reference divider
<b>End of Table 7-27</b>		

**Figure 7-23 DDR3 PLL Control Register 1 (DDR3PLLCTL1)**

31	14	13	12	7	6	5	4	3	0
Reserved		PLL RST	Reserved		ENSAT	Reserved		BWADJ[11:8]	
RW-00000000000000000000		RW-0	RW-000000		RW-0	R-0		RW-0000	

Legend: RW = Read/Write; -n = value after reset

**Table 7-28 DDR3 PLL Control Register 1 Field Descriptions**

Bit	Field	Description
31-14	Reserved	Reserved
13	PLL RST	PLL reset bit. 0 = PLL reset is released. 1 = PLL reset is asserted.
12-7	Reserved	Reserved
6	ENSAT	Needs to be set to 1 for proper operation of the PLL
5-4	Reserved	Reserved
3-0	BWADJ[11:8]	BWADJ[11:8] and BWADJ[7:0] are located in separate registers. The combination (BWADJ[11:0]) should be programmed to a value equal to half of PLLM[12:0] if PLLM has even values or to be rounded half down of PLLM[12:0] if PLLM has odd values. Example: PLLM=15, then BWADJ=7
<b>End of Table 7-28</b>		

## 7.6.2 DDR3 PLL Device-Specific Information

As shown in [Figure 7-21](#), the output of DDR3 PLL (PLLOUT) is divided by 2 and directly fed to the DDR3 memory controller. The DDR3 PLL is affected by power-on reset. During power-on resets, the internal clocks of the DDR3 PLL are affected as described in Section 7.4 [“Reset Controller”](#) on page 120. The DDR3 PLL is unlocked only during the power-up sequence and is locked by the time the RESETSTAT pin goes high. It does not lose lock during any of the other resets.

## 7.6.3 DDR3 PLL Initialization Sequence

See the *Phase Locked Loop (PLL) for KeyStone Devices User Guide* in [“Related Documentation from Texas Instruments”](#) on page 65 for details on the initialization sequence for DDR3 PLL.

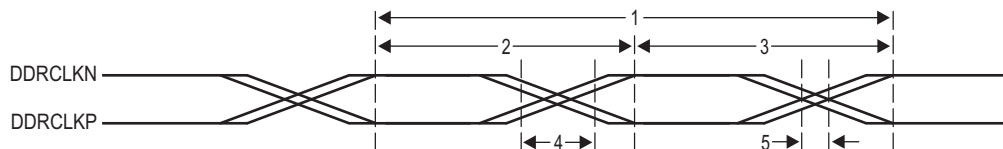
## 7.6.4 DDR3 PLL Input Clock Electrical Data/Timing

**Table 7-29** DDR3 PLL DDRSYSCLK1(N|P) Timing Requirements  
 (see Figure 7-24 and Figure 7-20)

No.			Min	Max	Unit
<b>DDRCLK[P:N]</b>					
1	tc(DDRCLKN)	Cycle time _ DDRCLKN cycle time	3.2	25	ns
1	tc(DDRCLKP)	Cycle time _ DDRCLKP cycle time	3.2	25	ns
3	tw(DDRCLKN)	Pulse width _ DDRCLKN high	$0.45 * tc(DDRCLKN)$	$0.55 * tc(DDRCLKN)$	ns
2	tw(DDRCLKN)	Pulse width _ DDRCLKN low	$0.45 * tc(DDRCLKN)$	$0.55 * tc(DDRCLKN)$	ns
2	tw(DDRCLKP)	Pulse width _ DDRCLKP high	$0.45 * tc(DDRCLKP)$	$0.55 * tc(DDRCLKP)$	ns
3	tw(DDRCLKP)	Pulse width _ DDRCLKP low	$0.45 * tc(DDRCLKP)$	$0.55 * tc(DDRCLKP)$	ns
4	tr(DDRCLKN_250mv)	Transition time _ DDRCLKN rise time (250 mV)	50	350	ps
4	tf(DDRCLKN_250mv)	Transition time _ DDRCLKN fall time (250 mV)	50	350	ps
4	tr(DDRCLKP_250mv)	Transition time _ DDRCLKP rise time (250 mV)	50	350	ps
4	tf(DDRCLKP_250mv)	Transition time _ DDRCLKP fall time (250 mV)	50	350	ps
5	tj(DDRCLKN)	Jitter, peak_to_peak _ periodic DDRCLKN		$0.025 * tc(DDRCLKN)$	ps
5	tj(DDRCLKP)	Jitter, peak_to_peak _ periodic DDRCLKP		$0.025 * tc(DDRCLKP)$	ps

**End of Table 7-29**

**Figure 7-24** DDR3 PLL DDRCLK Timing



## 7.7 Enhanced Direct Memory Access (EDMA3) Controller

The primary purpose of the EDMA3 is to service user-programmed data transfers between two memory-mapped slave endpoints on the device. The EDMA3 services software-driven paging transfers (e.g., data movement between external memory and internal memory), performs sorting or subframe extraction of various data structures, services event driven peripherals, and offloads data transfers from the device CPU.

There is one EDMA Channel Controller on the C6655/57 device: EDMA3\_CC. It has four transfer controllers: TC0, TC1, TC2, and TC3. In the context of this document, TCx associated with CC is referred to as EDMA3\_CC\_TCx. Each of the transfer controllers has a direct connection to the switch fabric. Section 4.2 “[Switch Fabric Connections Matrix](#)” lists the peripherals that can be accessed by the transfer controllers.

The EDMA3 Channel Controller includes the following features:

- Fully orthogonal transfer description
  - Three transfer dimensions:
    - › Array (multiple bytes)
    - › Frame (multiple arrays)
    - › Block (multiple frames)
  - Single event can trigger transfer of array, frame, or entire block
  - Independent indexes on source and destination
- Flexible transfer definition:
  - Increment or FIFO transfer addressing modes
  - Linking mechanism allows for ping-pong buffering, circular buffering, and repetitive/continuous transfers, all with no CPU intervention
  - Chaining allows multiple transfers to execute with one event
- 512 PaRAM entries
  - Used to define transfer context for channels
  - Each PaRAM entry can be used as a DMA entry, QDMA entry, or link entry
- 64 DMA channels
  - Manually triggered (CPU writes to channel controller register), external event triggered, and chain triggered (completion of one transfer triggers another)
- Eight Quick DMA (QDMA) channels
  - Used for software-driven transfers
  - Triggered upon writing to a single PaRAM set entry
- Four transfer controllers and four event queues with programmable system-level priority
- Interrupt generation for transfer completion and error conditions
- Debug visibility
  - Queue watermarking/threshold allows detection of maximum usage of event queues
  - Error and status recording to facilitate debug

### 7.7.1 EDMA3 Device-Specific Information

The EDMA supports two addressing modes: constant addressing and increment addressing mode. Constant addressing mode is applicable to a very limited set of use cases. For most applications, increment mode must be used. On the C6655/57, the EDMA can use constant addressing mode only with the Enhanced Viterbi-Decoder Coprocessor (VCP) and the Enhanced Turbo Decoder Coprocessor (TCP). Constant addressing mode is not supported by any other peripheral or internal memory in the device. Note that increment mode is supported by all peripherals, including VCP and TCP. For more information on these two addressing modes, see the *Enhanced Direct Memory Access 3 (EDMA3) for KeyStone Devices User Guide* in “[Related Documentation from Texas Instruments](#)” on page 65.

For the range of memory addresses that include EDMA3 channel controller (EDMA3\_CC) control registers and EDMA3 transfer controller (TC) control register, see Section Table 2-2“[Memory Map Summary](#)” on page 21. For memory offsets and other details on EDMA3\_CC and TC control registers entries, see the *Enhanced Direct Memory Access 3 (EDMA3) for KeyStone Devices User Guide* in “[Related Documentation from Texas Instruments](#)” on page 65.

### 7.7.2 EDMA3 Channel Controller Configuration

[Table 7-30](#) provides the configuration of the EDMA3 channel controller present on the device.

**Table 7-30 EDMA3 Channel Controller Configuration**

Description	EDMA3 CC
Number of DMA channels in Channel Controller	64
Number of QDMA channels	8
Number of interrupt channels	64
Number of PaRAM set entries	512
Number of event queues	4
Number of Transfer Controllers	4
Memory Protection Existence	Yes
Number of Memory Protection and Shadow Regions	8
<b>End of Table 7-30</b>	

### 7.7.3 EDMA3 Transfer Controller Configuration

Each transfer controller on a device is designed differently based on considerations like performance requirements, system topology (like main TeraNet bus width, external memory bus width), and so on. The parameters that determine the transfer controller configurations are:

- **FIFOSIZE:** Determines the size in bytes for the data FIFO that is the temporary buffer for the in-flight data. The data FIFO is where the read return data read by the TC read controller from the source endpoint is stored and subsequently written out to the destination endpoint by the TC write controller.
- **BUSWIDTH:** The width of the read and write data buses, in bytes, for the TC read and write controller, respectively. This is typically equal to the bus width of the main TeraNet interface.
- **Default Burst Size (DBS):** The DBS is the maximum number of bytes per read/write command issued by a transfer controller.
- **DSTREGDEPTH:** This determines the number of destination FIFO register set. The number of destination FIFO register set for a transfer controller determines the maximum number of outstanding transfer requests.

All four parameters listed above are specified by the design of the device.



Table 7-31 provides the configuration of the EDMA3 transfer controller present on the device.

**Table 7-31 EDMA3 Transfer Controller Configuration**

Parameter	EDMA3 CC			
	TC0	TC1	TC2	TC3
FIFOSIZE	1024 bytes	512 bytes	512 bytes	1024 bytes
BUSWIDTH	16 bytes	16 bytes	16 bytes	16 bytes
DSTREGDEPTH	4 entries	4 entries	4 entries	4 entries
DBS	64 bytes	64 bytes	64 bytes	64 bytes
<b>End of Table 7-31</b>				

### 7.7.4 EDMA3 Channel Synchronization Events

The EDMA3 supports up to 64 DMA channels for EDMA3\_CC that can be used to service system peripherals and to move data between system memories. DMA channels can be triggered by synchronization events generated by system peripherals. The following tables lists the source of the synchronization event associated with each of the EDMA3\_CC DMA channels. On the C6655/57, the association of each synchronization event and DMA channel is fixed and cannot be reprogrammed.

For more detailed information on the EDMA3 module and how EDMA3 events are enabled, captured, processed, prioritized, linked, chained, and cleared, etc., see the *Enhanced Direct Memory Access 3 (EDMA3) for KeyStone Devices User Guide* in “[Related Documentation from Texas Instruments](#)” on page 65.

**Table 7-32 EDMA3\_CC Events for C6655/57 (Part 1 of 2)**

Event Number	Event	Event Description
0	TCP3D_AREVT0	TCP3D_A receive event0
1	TCP3D_AREVT1	TCP3D_A receive event1
2	TINT2L	Timer2 interrupt low
3	TINT2H	Timer2 interrupt high
4	URXEVT	UART0 receive event
5	UTXEVT	UART0 transmit event
6	GPINT0	GPIO interrupt
7	GPINT1	GPIO interrupt
8	GPINT2	GPIO Interrupt
9	GPINT3	GPIO interrupt
10	VCPAREVT	VCP2_0 receive event
11	VCPAXEVT	VCP2_0 transmit event
12	VCPBREVT	VCP2_1 receive event
13	VCPBXEVT	VCP2_1 transmit event
14	URXEVT_B	UART1 receive event
15	UTXEVT_B	UART1 transmit event
16	SPIINT0	SPI interrupt
17	SPIINT1	SPI interrupt
18	SEMINT0	Semaphore interrupt
19	SEMINT1	Semaphore interrupt
20	SEMINT2	Semaphore interrupt
21	SEMINT3	Semaphore interrupt
22	TINT4L	Timer4 interrupt low
23	TINT4H	Timer4 interrupt high

# TMS320C6655/57

## Fixed and Floating-Point Digital Signal Processor

SPRS814A—August 2012

**Table 7-32 EDMA3\_CC Events for C6655/57 (Part 2 of 2)**

Event Number	Event	Event Description
24	TINT5L	Timer5 interrupt low
25	TINT5H	Timer5 interrupt high
26	TINT6L	Timer6 interrupt low
27	TINT6H	Timer6 interrupt high
28	TINT7L	Timer7 interrupt low
29	TINT7H	Timer7 interrupt high
30	SPIXEVT	SPI transmit event
31	SPIREVT	SPI receive event
32	I2CREVET	I2C receive event
33	I2CXEVT	I2C transmit event
34	TINT3L	Timer3 interrupt low
35	TINT3H	Timer3 interrupt high
36	MCBSP0_REVT	McBSP_0 receive event
37	MCBSP0_XEVT	McBSP_0 transmit event
38	MCBSP1_REVT	McBSP_1 receive event
39	MCBSP1_XEVT	McBSP_1 transmit event
40	TETBHFULLINT	TETB half full interrupt
41	TETBHFULLINT0	TETB half full interrupt
42	TETBHFULLINT1	TETB half full interrupt
43	CIC1_OUT0	Interrupt Controller output
44	CIC1_OUT1	Interrupt Controller output
45	CIC1_OUT2	Interrupt Controller output
46	CIC1_OUT3	Interrupt Controller output
47	CIC1_OUT4	Interrupt Controller output
48	CIC1_OUT5	Interrupt Controller output
49	CIC1_OUT6	Interrupt Controller output
50	CIC1_OUT7	Interrupt Controller output
51	CIC1_OUT8	Interrupt Controller output
52	CIC1_OUT9	Interrupt Controller output
53	CIC1_OUT10	Interrupt Controller output
54	CIC1_OUT11	Interrupt Controller output
55	CIC1_OUT12	Interrupt Controller output
56	CIC1_OUT13	Interrupt Controller output
57	CIC1_OUT14	Interrupt Controller output
58	CIC1_OUT15	Interrupt Controller output
59	CIC1_OUT16	Interrupt Controller output
60	CIC1_OUT17	Interrupt Controller output
61	TETBFULLINT	TETB full interrupt
62	TETBFULLINT0	TETB full interrupt
63	TETBFULLINT1	TETB full interrupt
<b>End of Table 7-32</b>		

## 7.8 Interrupts

### 7.8.1 Interrupt Sources and Interrupt Controller

The CPU interrupts on the C6655/57 device are configured through the C66x CorePac Interrupt Controller. The interrupt controller allows for up to 128 system events to be programmed to any of the twelve CPU interrupt inputs (CPUINT4 - CPUINT15), the CPU exception input (EXCEP), or the advanced emulation logic. The 128 system events consist of both internally-generated events (within the CorePac) and chip-level events.

Additional system events are routed to each of the C66x CorePacs to provide chip-level events that are not required as CPU interrupts/exceptions to be routed to the interrupt controller as emulation events. In addition, error-class events or infrequently used events are also routed through the system event router to offload the C66x CorePac interrupt selector. This is accomplished through CIC blocks, CIC[2:0]. This is clocked using CPU/6.

The event controllers consist of simple combination logic to provide additional events to the C66x CorePacs, plus the EDMA3\_CC and CIC0 provide 12 additional events as well as 8 broadcast events to the C66x CorePacs. CIC1 provides 18 additional events to EDMA3\_CC, and CIC2 provides 32 additional events to HyperLink.

There are a large number of events on the chip level. The chip level CIC provides a flexible way to combine and remap those events. Multiple events can be combined to a single event through chip level CIC. However, an event can be mapped only to a single event output from the chip level CIC. The chip level CIC also allows the software to trigger system events through memory writes. The broadcast events to C66x CorePacs can be used for synchronization among multiple cores, inter-processor communication purposes, etc. For more details on the CIC features, please refer to the *Chip Interrupt Controller (CIC) for KeyStone Devices User Guide* in “[Related Documentation from Texas Instruments](#)” on page 65.



**Note**—Modules such as MPU, Tracer, and BOOT\_CFG have level interrupts and an EOI handshaking interface. The EOI value is 0 for MPU, Tracer, and BOOT\_CFG.

Figure 7-25 shows the C6655/57 interrupt topology.

**Figure 7-25 TMS320C6655/57 Interrupt Topology**

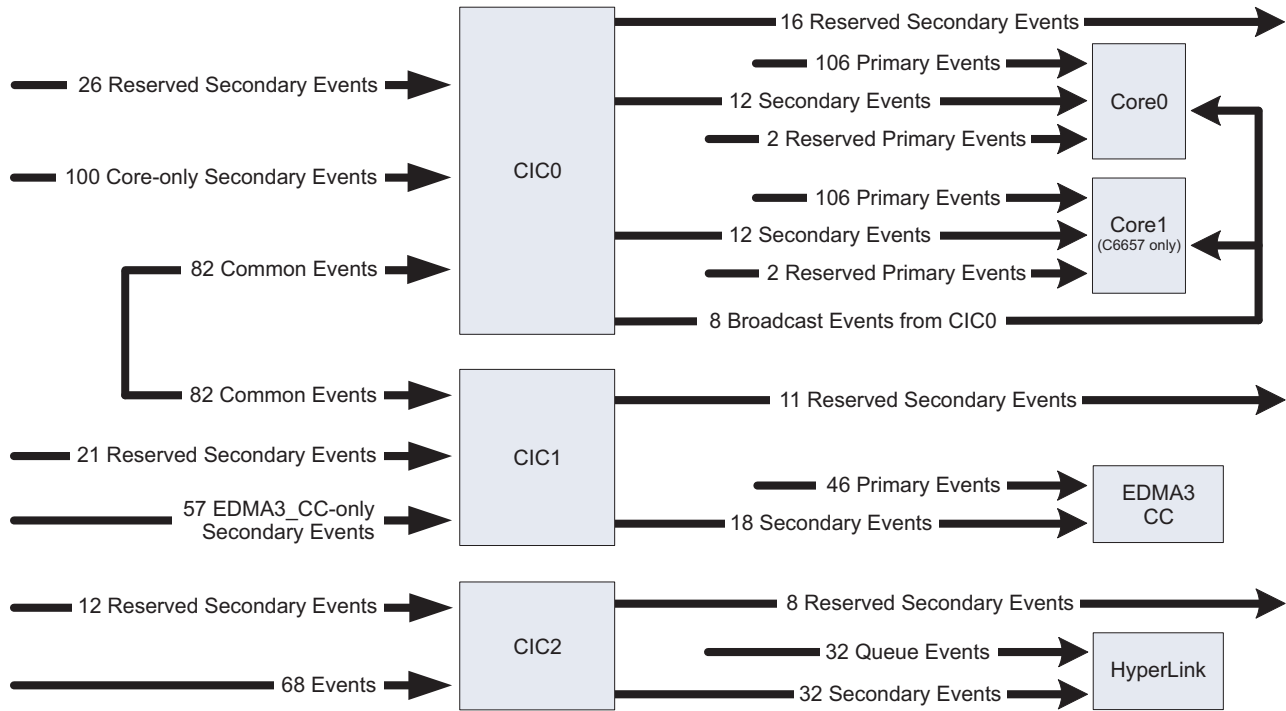


Table 7-33 shows the mapping of system events. For more information on the Interrupt Controller, see the C66x CorePac User Guide in “Related Documentation from Texas Instruments” on page 65.

**Table 7-33 TMS320C6655/57 System Event Mapping — C66x CorePac Primary Interrupts (Part 1 of 4)**

Event Number	Interrupt Event	Description
0	EVT0	Event combiner 0 output
1	EVT1	Event combiner 1 output
2	EVT2	Event combiner 2 output
3	EVT3	Event combiner 3 output
4	TETBFULLINTn <sup>(1)</sup>	TETB is half full
5	TETBFULLINTn <sup>(1)</sup>	TETB is full
6	TETBACQINTn <sup>(1)</sup>	Acquisition has been completed
7	TETBOVFLINTn <sup>(1)</sup>	Overflow condition interrupt
8	TETBUNFLINTn <sup>(1)</sup>	Underflow condition interrupt
9	EMU_DTDMA	ECM interrupt for: 1. Host scan access 2. DTDMA transfer complete 3. AET interrupt
10	MSMC_mpf_erron <sup>(2)</sup>	Memory protection fault indicators for local core
11	EMU_RTDXRX	RTDX receive complete
12	EMU_RTDXTX	RTDX transmit complete
13	IDMA0	IDMA channel 0 interrupt
14	IDMA1	IDMA channel 1 interrupt
15	SEMERRn <sup>(3)</sup>	Semaphore error interrupt

**Table 7-33 TMS320C6655/57 System Event Mapping — C66x CorePac Primary Interrupts (Part 2 of 4)**

Event Number	Interrupt Event	Description
16	SEMINT <sub>n</sub> <sup>(3)</sup>	Semaphore interrupt
17	PCIExpress_MSI_INT <sub>n</sub> <sup>(4)</sup>	Message signaled interrupt mode
18	PCIExpress_MSI_INT <sub>n+4</sub> <sup>(4)</sup>	Message signaled interrupt mode
19	MACINT <sub>n</sub> <sup>(9)</sup>	EMAC interrupt
20	INTDST <sub>(n+16)</sub> <sup>(5)</sup>	SRIO Interrupt
21	INTDST <sub>(n+20)</sub> <sup>(6)</sup>	SRIO Interrupt
22	CIC0_OUT <sub>(0+20*n)</sub> <sup>(7)</sup>	Interrupt Controller Output
23	CIC0_OUT <sub>(1+20*n)</sub> <sup>(7)</sup>	Interrupt Controller Output
24	CIC0_OUT <sub>(2+20*n)</sub> <sup>(7)</sup>	Interrupt Controller Output
25	CIC0_OUT <sub>(3+20*n)</sub> <sup>(7)</sup>	Interrupt Controller Output
26	CIC0_OUT <sub>(4+20*n)</sub> <sup>(7)</sup>	Interrupt Controller Output
27	CIC0_OUT <sub>(5+20*n)</sub> <sup>(7)</sup>	Interrupt Controller Output
28	CIC0_OUT <sub>(6+20*n)</sub> <sup>(7)</sup>	Interrupt Controller Output
29	CIC0_OUT <sub>(7+20*n)</sub> <sup>(7)</sup>	Interrupt Controller Output
30	CIC0_OUT <sub>(8+20*n)</sub> <sup>(7)</sup>	Interrupt Controller Output
31	CIC0_OUT <sub>(9+20*n)</sub> <sup>(7)</sup>	Interrupt Controller Output
32	QM_INT_LOW_0	QM Interrupt for 0~31 Queues
33	QM_INT_LOW_1	QM Interrupt for 32~63 Queues
34	QM_INT_LOW_2	QM Interrupt for 64~95 Queues
35	QM_INT_LOW_3	QM Interrupt for 96~127 Queues
36	QM_INT_LOW_4	QM Interrupt for 128~159 Queues
37	QM_INT_LOW_5	QM Interrupt for 160~191 Queues
38	QM_INT_LOW_6	QM Interrupt for 192~223 Queues
39	QM_INT_LOW_7	QM Interrupt for 224~255 Queues
40	QM_INT_LOW_8	QM Interrupt for 256~287 Queues
41	QM_INT_LOW_9	QM Interrupt for 288~319 Queues
42	QM_INT_LOW_10	QM Interrupt for 320~351 Queues
43	QM_INT_LOW_11	QM Interrupt for 352~383 Queues
44	QM_INT_LOW_12	QM Interrupt for 384~415 Queues
45	QM_INT_LOW_13	QM Interrupt for 416~447 Queues
46	QM_INT_LOW_14	QM Interrupt for 448~479 Queues
47	QM_INT_LOW_15	QM Interrupt for 480~511 Queues
48	QM_INT_HIGH <sub>n</sub> <sup>(7)</sup>	QM Interrupt for Queue 704+n <sup>(7)</sup>
49	QM_INT_HIGH <sub>(n+4)</sub> <sup>(7)</sup>	QM Interrupt for Queue 708+n <sup>(7)</sup>
50	QM_INT_HIGH <sub>(n+8)</sub> <sup>(7)</sup>	QM Interrupt for Queue 712+n <sup>(7)</sup>
51	QM_INT_HIGH <sub>(n+12)</sub> <sup>(7)</sup>	QM Interrupt for Queue 716+n <sup>(7)</sup>
52	QM_INT_HIGH <sub>(n+16)</sub> <sup>(7)</sup>	QM Interrupt for Queue 720+n <sup>(7)</sup>
53	QM_INT_HIGH <sub>(n+20)</sub> <sup>(7)</sup>	QM Interrupt for Queue 724+n <sup>(7)</sup>
54	QM_INT_HIGH <sub>(n+24)</sub> <sup>(7)</sup>	QM Interrupt for Queue 728+n <sup>(7)</sup>
55	QM_INT_HIGH <sub>(n+28)</sub> <sup>(7)</sup>	QM Interrupt for Queue 732+n <sup>(7)</sup>
56	CIC0_OUT40	Interrupt Controller Output
57	CIC0_OUT41	Interrupt Controller Output
58	CIC0_OUT42	Interrupt Controller Output
59	CIC0_OUT43	Interrupt Controller Output

# TMS320C6655/57

## Fixed and Floating-Point Digital Signal Processor

SPRS814A—August 2012

[www.ti.com](http://www.ti.com)
**Table 7-33 TMS320C6655/57 System Event Mapping — C66x CorePac Primary Interrupts (Part 3 of 4)**

Event Number	Interrupt Event	Description
60	CIC0_OUT44	Interrupt Controller Output
61	CIC0_OUT45	Interrupt Controller Output
62	CIC0_OUT46	Interrupt Controller Output
63	CIC0_OUT47	Interrupt Controller Output
64	TINTLn <sup>(8)</sup>	Local timer interrupt low
65	TINTHn <sup>(8)</sup>	Local timer interrupt high
66	TINT2L	Timer2 interrupt low
67	TINT2H	Timer2 interrupt high
68	TINT3L	Timer3 interrupt low
69	TINT3H	Timer3 interrupt high
70	PCIEExpress_MSI_INTn+2 <sup>(4)</sup>	Message signaled interrupt mode
71	PCIEExpress_MSI_INTn+6 <sup>(4)</sup>	Message signaled interrupt mode
72	GPINT2	GPIO interrupt
73	GPINT3	GPIO interrupt
74	MACINTn+2 <sup>(9)</sup>	EMAC interrupt
75	MACTXINTn+2 <sup>(9)</sup>	EMAC interrupt
76	MACTRESHn+2 <sup>(9)</sup>	EMAC interrupt
77	MACRXINTn+2 <sup>(9)</sup>	EMAC interrupt
78	GPINT4	GPIO interrupt
79	GPINT5	GPIO interrupt
80	GPINT6	GPIO interrupt
81	GPINT7	GPIO interrupt
82	GPINT8	GPIO interrupt
83	GPINT9	GPIO interrupt
84	GPINT10	GPIO interrupt
85	GPINT11	GPIO interrupt
86	GPINT12	GPIO interrupt
87	GPINT13	GPIO interrupt
88	GPINT14	GPIO interrupt
89	GPINT15	GPIO interrupt
90	IPC_LOCAL	Inter DSP interrupt from IPCGRn
91	GPINTn <sup>(10)</sup>	Local GPIO interrupt
92	CIC0_OUT(10+20*n) <sup>(7)</sup>	Interrupt Controller Output
93	CIC0_OUT(11+20*n) <sup>(7)</sup>	Interrupt Controller Output
94	MACTXINTn <sup>(9)</sup>	EMAC interrupt
95	MACTRESHn <sup>(9)</sup>	EMAC interrupt
96	INTERR	Dropped CPU interrupt event
97	EMC_IDMAERR	Invalid IDMA parameters
98	Reserved	
99	MACRXINTn <sup>(9)</sup>	EMAC interrupt
100	EFIINTA	EFI Interrupt from side A
101	EFIINTB	EFI Interrupt from side B
102	QM_INT_HIGH_(n+2) <sup>(7)</sup>	QM Interrupt for Queue 706+n <sup>(7)</sup>
103	QM_INT_HIGH_(n+6) <sup>(7)</sup>	QM Interrupt for Queue 710+n <sup>(7)</sup>

**Table 7-33 TMS320C6655/57 System Event Mapping — C66x CorePac Primary Interrupts (Part 4 of 4)**

Event Number	Interrupt Event	Description
104	QM_INT_HIGH_(n+10) <sup>(7)</sup>	QM Interrupt for Queue 714+n <sup>(7)</sup>
105	QM_INT_HIGH_(n+14) <sup>(7)</sup>	QM Interrupt for Queue 718+n <sup>(7)</sup>
106	QM_INT_HIGH_(n+18) <sup>(7)</sup>	QM Interrupt for Queue 722+n <sup>(7)</sup>
107	QM_INT_HIGH_(n+22) <sup>(7)</sup>	QM Interrupt for Queue 726+n <sup>(7)</sup>
108	QM_INT_HIGH_(n+26) <sup>(7)</sup>	QM Interrupt for Queue 730+n <sup>(7)</sup>
109	QM_INT_HIGH_(n+30) <sup>(7)</sup>	QM Interrupt for Queue 734+n <sup>(7)</sup>
110	MDMAERREVT	VbusM error event
111	Reserved	
112	INTDST(n+18) <sup>(11)</sup>	SRIO Interrupt
113	PMC_ED	Single bit error detected during DMA read
114	INTDST(n+22) <sup>(12)</sup>	SRIO Interrupt
115	EDMA3_CC_AET EVT	EDMA3 CC AET Event
116	UMC_ED1	Corrected bit error detected
117	UMC_ED2	Uncorrected bit error detected
118	PDC_INT	Power down sleep interrupt
119	SYS_CMPA	SYS CPU memory protection fault event
120	PMC_CMPA	PMC CPU memory protection fault event
121	PMC_DMPA	PMC DMA memory protection fault event
122	DMC_CMPA	DMC CPU memory protection fault event
123	DMC_DMPA	DMC DMA memory protection fault event
124	UMC_CMPA	UMC CPU memory protection fault event
125	UMC_DMPA	UMC DMA memory protection fault event
126	EMC_CMPA	EMC CPU memory protection fault event
127	EMC_BUSERR	EMC bus error interrupt
<b>End of Table 7-33</b>		

1 CorePac[n] will receive TETBHFULLINTn, TETBFULLINTn, TETBACQINTn, TETBOVFLINTn, and TETBUNFLINTn

2 CorePac[n] will receive MSMC\_mpf\_erronn.

3 CorePac[n] will receive SEMINTn and SEMERRn.

4 CorePac[n] will receive PCIExpress\_MSI\_INTn.

5 CorePac[n] will receive INTDST(n+16)

6 CorePac[n] will receive INTDST(n+20)

7 n is core number.

8 CorePac[n] will receive TINTLn and TINTHn.

9 CorePac[n] will receive MACINTn/MACRXINTn/MACTXINTn/MACTRESHn

10 CorePac[n] will receive GPINTn.

11 CorePac[n] will receive INTDST(n+18)

12 CorePac[n] will receive INTDST(n+22)

**Table 7-34 CIC0 Event Inputs (Secondary Interrupts for C66x CorePacs) (Part 1 of 6)**

Input Event# on CIC	System Interrupt	Description
0	GPINT16	GPIO interrupt
1	GPINT17	GPIO interrupt
2	GPINT18	GPIO interrupt
3	GPINT19	GPIO interrupt
4	GPINT20	GPIO interrupt
5	GPINT21	GPIO interrupt
6	GPINT22	GPIO interrupt
7	GPINT23	GPIO interrupt

# TMS320C6655/57

## Fixed and Floating-Point Digital Signal Processor

SPRS814A—August 2012



www.ti.com

**Table 7-34 CIC0 Event Inputs (Secondary Interrupts for C66x CorePacs) (Part 2 of 6)**

Input Event# on CIC	System Interrupt	Description
8	GPINT24	GPIO interrupt
9	GPINT25	GPIO interrupt
10	GPINT26	GPIO interrupt
11	GPINT27	GPIO interrupt
12	GPINT28	GPIO interrupt
13	GPINT29	GPIO interrupt
14	GPINT30	GPIO interrupt
15	GPINT31	GPIO interrupt
16	EDMA3_CC_ERRINT	EDMA3_CC error interrupt
17	EDMA3_CC_MPINT	EDMA3_CC memory protection interrupt
18	EDMA3_TC_ERRINT0	EDMA3_CC TC0 error interrupt
19	EDMA3_TC_ERRINT1	EDMA3_CC TC1 error interrupt
20	EDMA3_TC_ERRINT2	EDMA3_CC TC2 error interrupt
21	EDMA3_TC_ERRINT3	EDMA3_CC TC3 error interrupt
22	EDMA3_CC_GINT	EDMA3_CC GINT
23	Reserved	
24	EDMA3_CC_INT0	EDMA3_CC individual completion interrupt
25	EDMA3_CC_INT1	EDMA3_CC individual completion interrupt
26	EDMA3_CC_INT2	EDMA3_CC individual completion interrupt
27	EDMA3_CC_INT3	EDMA3_CC individual completion interrupt
28	EDMA3_CC_INT4	EDMA3_CC individual completion interrupt
29	EDMA3_CC_INT5	EDMA3_CC individual completion interrupt
30	EDMA3_CC_INT6	EDMA3_CC individual completion interrupt
31	EDMA3_CC_INT7	EDMA3_CC individual completion interrupt
32	MCBSP0_RINT	McBSP0 interrupt
33	MCBSP0_XINT	McBSP0 interrupt
34	MCBSP0_REVT	McBSP0 interrupt
35	MCBSP0_XEVT	McBSP0 interrupt
36	MCBSP1_RINT	McBSP1 interrupt
37	MCBSP1_XINT	McBSP1 interrupt
38	MCBSP1_REVT	McBSP1 interrupt
39	MCBSP1_XEVT	McBSP1 interrupt
40	UARTINT_B	UART_1 interrupt
41	URXEVT_B	UART_1 interrupt
42	UTXEVT_B	UART_1 interrupt
43	Reserved	
44	Reserved	
45	Reserved	
46	Reserved	
47	Reserved	
48	PCIExpress_ERR_INT	Protocol error interrupt
49	PCIExpress_PM_INT	Power management interrupt
50	PCIExpress_Legacy_INTA	Legacy interrupt mode
51	PCIExpress_Legacy_INTB	Legacy interrupt mode



**Table 7-34 CIC0 Event Inputs (Secondary Interrupts for C66x CorePacs) (Part 3 of 6)**

Input Event# on CIC	System Interrupt	Description
52	PCIExpress_Legacy_CIC	Legacy interrupt mode
53	PCIExpress_Legacy_INTD	Legacy interrupt mode
54	SPIINT0	SPI interrupt0
55	SPIINT1	SPI interrupt1
56	SPIXEVT	Transmit event
57	SPIREVT	Receive event
58	I2CINT	I <sup>2</sup> C interrupt
59	I2CREVT	I <sup>2</sup> C receive event
60	I2CXEVT	I <sup>2</sup> C transmit event
61	Reserved	
62	Reserved	
63	TETBHFULLINT	TETB is half full
64	TETBFULLINT	TETB is full
65	TETBACQINT	Acquisition has been completed
66	TETBOVFLINT	Overflow condition occur
67	TETBUNFLINT	Underflow condition occur
68	SEMINT2	Semaphore interrupt
69	SEMINT3	Semaphore interrupt
70	SEMERR2	Semaphore interrupt
71	SEMERR3	Semaphore interrupt
72	Reserved	
73	Tracer_core_0_INTD	Tracer sliding time window interrupt for individual core
74	Tracer_core_1_INTD	Tracer sliding time window interrupt for individual core (C6657 only)
75	Reserved	
76	Reserved	
77	Tracer_DDR_INTD	Tracer sliding time window interrupt for DDR3 EMIF1
78	Tracer_MSMC_0_INTD	Tracer sliding time window interrupt for MSMC SRAM bank0
79	Tracer_MSMC_1_INTD	Tracer sliding time window interrupt for MSMC SRAM bank1
80	Tracer_MSMC_2_INTD	Tracer sliding time window interrupt for MSMC SRAM bank2
81	Tracer_MSMC_3_INTD	Tracer sliding time window interrupt for MSMC SRAM bank3
81	Tracer_CFG_INTD	Tracer sliding time window interrupt for CFG0 TeraNet
82	Tracer_QM_CFG_INTD	Tracer sliding time window interrupt for QM_SS CFG
84	Tracer_QM_DMA_INTD	Tracer sliding time window interrupt for QM_SS slave
85	Tracer_SEM_INTD	Tracer sliding time window interrupt for semaphore
86	PSC_ALLINT	Power/sleep controller interrupt
87	MSMC_scrub_cerror	Correctable (1-bit) soft error detected during scrub cycle
88	BOOTCFG_INTD	Chip-level MMR error register
89	po_vcon_smperr_intr	SmartReflex VolCon error status
90	MPU0_INTD (MPU0_ADDR_ERR_INT and MPU0_PROT_ERR_INT combined)	MPU0 addressing violation interrupt and protection violation interrupt.
91	Reserved	
92	MPU1_INTD (MPU1_ADDR_ERR_INT and MPU1_PROT_ERR_INT combined)	MPU1 addressing violation interrupt and protection violation interrupt.
93	Reserved	

# TMS320C6655/57

## Fixed and Floating-Point Digital Signal Processor

SPRS814A—August 2012



www.ti.com

**Table 7-34 CICO Event Inputs (Secondary Interrupts for C66x CorePacs) (Part 4 of 6)**

Input Event# on CIC	System Interrupt	Description
94	MPU2_INTD (MPU2_ADDR_ERR_INT and MPU2_PROT_ERR_INT combined)	MPU2 addressing violation interrupt and protection violation interrupt.
95	Reserved	
96	MPU3_INTD (MPU3_ADDR_ERR_INT and MPU3_PROT_ERR_INT combined)	MPU3 addressing violation interrupt and protection violation interrupt.
97	Reserved	
98	MSMC_dedc_cerror	Correctable (1-bit) soft error detected on SRAM read
99	MSMC_dedc_nc_error	Non-correctable (2-bit) soft error detected on SRAM read
100	MSMC_scrub_nc_error	Non-correctable (2-bit) soft error detected during scrub cycle
101	Reserved	
102	MSMC_mpf_error8	Memory protection fault indicators for each system master PrivID
103	MSMC_mpf_error9	Memory protection fault indicators for each system master PrivID
104	MSMC_mpf_error10	Memory protection fault indicators for each system master PrivID
105	MSMC_mpf_error11	Memory protection fault indicators for each system master PrivID
105	MSMC_mpf_error12	Memory protection fault indicators for each system master PrivID
107	MSMC_mpf_error13	Memory protection fault indicators for each system master PrivID
108	MSMC_mpf_error14	Memory protection fault indicators for each system master PrivID
109	MSMC_mpf_error15	Memory protection fault indicators for each system master PrivID
110	DDR3_ERR	DDR3 EMIF error interrupt
111	HyperLink_int_o	HyperLink interrupt
112	INTDST0	RapidIO interrupt
113	INTDST1	RapidIO interrupt
114	INTDST2	RapidIO interrupt
115	INTDST3	RapidIO interrupt
116	INTDST4	RapidIO interrupt
117	INTDST5	RapidIO interrupt
118	INTDST6	RapidIO interrupt)
119	INTDST7	RapidIO interrupt
120	INTDST8	RapidIO interrupt
121	INTDST9	RapidIO interrupt
122	INTDST10	RapidIO interrupt
123	INTDST11	RapidIO interrupt
124	INTDST12	RapidIO interrupt
125	INTDST13	RapidIO interrupt
126	INTDST14	RapidIO interrupt
127	INTDST15	RapidIO interrupt
128	Reserved	
129	Reserved	
130	po_vp_smpsack_intr	Indicating that Volt_Proc receives the r-edge at its smpsack input
131	Reserved	
132	Reserved	
133	Reserved	
134	QM_INT_PASS_TXQ_PEND_662	Queue manager pend event
135	QM_INT_PASS_TXQ_PEND_663	Queue manager pend event
136	QM_INT_PASS_TXQ_PEND_664	Queue manager pend event

**Table 7-34 CIC0 Event Inputs (Secondary Interrupts for C66x CorePacs) (Part 5 of 6)**

Input Event# on CIC	System Interrupt	Description
137	QM_INT_PASS_TXQ_PEND_665	Queue manager pend event
138	QM_INT_PASS_TXQ_PEND_666	Queue manager pend event
139	QM_INT_PASS_TXQ_PEND_667	Queue manager pend event
140	QM_INT_PASS_TXQ_PEND_668	Queue manager pend event
141	QM_INT_PASS_TXQ_PEND_669	Queue manager pend event
142	QM_INT_PASS_TXQ_PEND_670	Queue manager pend event
143	VCP0INT	VCP2_0 interrupt
144	VCP1INT	VCP2_1 interrupt
145	TINT4L	Timer4 interrupt low
146	TINT4H	Timer4 interrupt high
147	VCP0REVT	VCP2_0 interrupt
148	VCP0XEVT	VCP2_0 interrupt
149	VCP1REVT	VCP2_1 interrupt
150	VCP1XEVT	VCP2_1 interrupt
151	TINT5L	Timer5 interrupt low
152	TINT5H	Timer5 interrupt high
153	TINT6L	Timer6 interrupt low
154	TINT6H	Timer6 interrupt high
155	TCP_INTD	TCP3d interrupt
156	UPPINT	uPP interrupt
157	TCP_REVT0	TCP3d interrupt
158	TCP_XEVT0	TCP3d interrupt
159	Reserved	
160	MSMC_mpf_error2	Memory protection fault indicators for each system master PrivID
161	MSMC_mpf_error3	Memory protection fault indicators for each system master PrivID
162	TINT7L	Timer7 interrupt low
163	TINT7H	Timer7 interrupt high
164	UARTINT_A	UART_0 interrupt
165	URXEVT_A	UART_0 interrupt
166	UTXEVT_A	UART_0 interrupt
167	EASYNCERR	EMIF16 error interrupt
168	Tracer_EMIF16	Tracer sliding time window interrupt for EMIF16
169	Reserved	
170	MSMC_mpf_error4	Memory protection fault indicators for each system master PrivID
171	MSMC_mpf_error5	Memory protection fault indicators for each system master PrivID
172	MSMC_mpf_error6	Memory protection fault indicators for each system master PrivID
173	MSMC_mpf_error7	Memory protection fault indicators for each system master PrivID
174	MPU4_INTD (MPU4_ADDR_ERR_INT and MPU4_PROT_ERR_INT combined)	MPU4 addressing violation interrupt and protection violation interrupt.
175	QM_INT_PASS_TXQ_PEND_671	Queue manager pend event
176	QM_INT_PKTDMA_0	QM interrupt for CDMA starvation
177	QM_INT_PKTDMA_1	QM interrupt for CDMA starvation
178	SRIO_INT_PKTDMA_0	SRIO interrupt for CDMA starvation
179	Reserved	

# TMS320C6655/57

## Fixed and Floating-Point Digital Signal Processor

SPRS814A—August 2012



www.ti.com

**Table 7-34 CIC0 Event Inputs (Secondary Interrupts for C66x CorePacs) (Part 6 of 6)**

Input Event# on CIC	System Interrupt	Description
180	Reserved	
181	SmartReflex_intrreq0	SmartReflex sensor interrupt
182	SmartReflex_intrreq1	SmartReflex sensor interrupt
183	SmartReflex_intrreq2	SmartReflex sensor interrupt
184	SmartReflex_intrreq3	SmartReflex sensor interrupt
185	VPNoSMPSAck	VPVOLTUPDATE has been asserted but SMPS has not been responded to in a defined time interval
186	VPEqValue	$\overline{\text{SRSINTERUPT}}$ is asserted, but the new voltage is not different from the current SMPS voltage
187	VPMaXVdd	The new voltage required is equal to or greater than MaxVdd.
188	VPMiNVdd	The new voltage required is equal to or less than MinVdd.
189	VPiNIDLE	Indicating that the FSM of voltage processor is in idle.
190	VPOPPChangeDone	Indicating that the average frequency error is within the desired limit.
191	Reserved	
192	MACINT4	EMAC interrupt
193	MACRXINT4	EMAC interrupt
194	MACTXINT4	EMAC interrupt
195	MACTRESH4	EMAC interrupt
196	MACINT5	EMAC interrupt
197	MACRXINT5	EMAC interrupt
198	MACTXINT5	EMAC interrupt
199	MACTRESH5	EMAC interrupt
200	MACINT6	EMAC interrupt
201	MACRXINT6	EMAC interrupt
202	MACTXINT6	EMAC interrupt
203	MACTRESH6	EMAC interrupt
204	MACINT7	EMAC interrupt
205	MACRXINT7	EMAC interrupt
206	MACTXINT7	EMAC interrupt
207	MACTRESH7	EMAC interrupt
<b>End of Table 7-34</b>		

**Table 7-35 CIC1 Event Inputs (Secondary Events for EDMA3\_CC) (Part 1 of 5)**

Input Event # on CIC	System Interrupt	Description
0	GPINT8	GPIO interrupt
1	GPINT9	GPIO interrupt
2	GPINT10	GPIO interrupt
3	GPINT11	GPIO interrupt
4	GPINT12	GPIO interrupt
5	GPINT13	GPIO interrupt
6	GPINT14	GPIO interrupt
7	GPINT15	GPIO interrupt
8	Reserved	
9	Reserved	

**Table 7-35 CIC1 Event Inputs (Secondary Events for EDMA3\_CC) (Part 2 of 5)**

Input Event # on CIC	System Interrupt	Description
10	TETBACQINT	System TETB acquisition has been completed
11	Reserved	
12	Reserved	
13	TETBACQINT0	TETB0 acquisition has been completed
14	Reserved	
15	Reserved	
16	TETBACQINT1	TETB1 acquisition has been completed (C6657 only)
17	GPINT16	GPIO interrupt
18	GPINT17	GPIO interrupt
19	GPINT18	GPIO interrupt
20	GPINT19	GPIO interrupt
21	GPINT20	GPIO interrupt
22	GPINT21	GPIO interrupt
23	Reserved	
24	QM_INT_HIGH_16	QM interrupt
25	QM_INT_HIGH_17	QM interrupt
26	QM_INT_HIGH_18	QM interrupt
27	QM_INT_HIGH_19	QM interrupt
28	QM_INT_HIGH_20	QM interrupt
29	QM_INT_HIGH_21	QM interrupt
30	QM_INT_HIGH_22	QM interrupt
31	QM_INT_HIGH_23	QM interrupt
32	QM_INT_HIGH_24	QM interrupt
33	QM_INT_HIGH_25	QM interrupt
34	QM_INT_HIGH_26	QM interrupt
35	QM_INT_HIGH_27	QM interrupt
36	QM_INT_HIGH_28	QM interrupt
37	QM_INT_HIGH_29	QM interrupt
38	QM_INT_HIGH_30	QM interrupt
39	QM_INT_HIGH_31	QM interrupt
40	Reserved	
41	Reserved	
42	Reserved	
43	Reserved	
44	Reserved	
45	Tracer_core_0_INTD	Tracer sliding time window interrupt for individual core
46	Tracer_core_1_INTD	Tracer sliding time window interrupt for individual core (C6657 only)
47	GPINT22	GPIO interrupt
48	GPINT23	GPIO interrupt
49	Tracer_DDR_INTD	Tracer sliding time window interrupt for DDR3 EMIF
50	Tracer_MSMC_0_INTD	Tracer sliding time window interrupt for MSMC SRAM bank0
51	Tracer_MSMC_1_INTD	Tracer sliding time window interrupt for MSMC SRAM bank1
52	Tracer_MSMC_2_INTD	Tracer sliding time window interrupt for MSMC SRAM bank2
53	Tracer_MSMC_3_INTD	Tracer sliding time window interrupt for MSMC SRAM bank3

# TMS320C6655/57

## Fixed and Floating-Point Digital Signal Processor

SPRS814A—August 2012



www.ti.com

**Table 7-35 CIC1 Event Inputs (Secondary Events for EDMA3\_CC) (Part 3 of 5)**

Input Event # on CIC	System Interrupt	Description
54	Tracer_CFG_INTD	Tracer sliding time window interrupt for CFG0 TeraNet
55	Tracer_QM_CFG_INTD	Tracer sliding time window interrupt for QM_SS CFG
56	Tracer_QM_DMA_INTD	Tracer sliding time window interrupt for QM_SS slave port
57	Tracer_SEM_INTD	Tracer sliding time window interrupt for semaphore
58	SEMERR0	Semaphore interrupt
59	SEMERR1	Semaphore interrupt
60	SEMERR2	Semaphore interrupt
61	SEMERR3	Semaphore interrupt
62	BOOTCFG_INTD	BOOTCFG interrupt BOOTCFG_ERR and BOOTCFG_PROT
63	UPPINT	uPP interrupt
64	MPU0_INTD (MPU0_ADDR_ERR_INT and MPU0_PROT_ERR_INT combined)	MPU0 addressing violation interrupt and protection violation interrupt.
65	MSMC_scrub_cerror	Correctable (1-bit) soft error detected during scrub cycle
66	MPU1_INTD (MPU1_ADDR_ERR_INT and MPU1_PROT_ERR_INT combined)	MPU1 addressing violation interrupt and protection violation interrupt.
67	RapidIO_INT_PKTDMA_0	RapidIO interrupt for packet DMA starvation
68	MPU2_INTD (MPU2_ADDR_ERR_INT and MPU2_PROT_ERR_INT combined)	MPU2 addressing violation interrupt and protection violation interrupt.
69	QM_INT_PKTDMA_0	QM interrupt for packet DMA starvation
70	MPU3_INTD (MPU3_ADDR_ERR_INT and MPU3_PROT_ERR_INT combined)	MPU3 addressing violation interrupt and protection violation interrupt.
71	QM_INT_PKTDMA_1	QM interrupt for packet DMA starvation
72	MSMC_dedc_cerror	Correctable (1-bit) soft error detected on SRAM read
73	MSMC_dedc_nc_error	Non-correctable (2-bit) soft error detected on SRAM read
74	MSMC_scrub_nc_error	Non-correctable (2-bit) soft error detected during scrub cycle
75	Reserved	
76	MSMC_mpf_error0	Memory protection fault indicators for each system master PrivID
77	MSMC_mpf_error1	Memory protection fault indicators for each system master PrivID
78	MSMC_mpf_error2	Memory protection fault indicators for each system master PrivID
79	MSMC_mpf_error3	Memory protection fault indicators for each system master PrivID
80	MSMC_mpf_error4	Memory protection fault indicators for each system master PrivID
81	MSMC_mpf_error5	Memory protection fault indicators for each system master PrivID
82	MSMC_mpf_error6	Memory protection fault indicators for each system master PrivID
83	MSMC_mpf_error7	Memory protection fault indicators for each system master PrivID
84	MSMC_mpf_error8	Memory protection fault indicators for each system master PrivID
85	MSMC_mpf_error9	Memory protection fault indicators for each system master PrivID
86	MSMC_mpf_error10	Memory protection fault indicators for each system master PrivID
87	MSMC_mpf_error11	Memory protection fault indicators for each system master PrivID
88	MSMC_mpf_error12	Memory protection fault indicators for each system master PrivID
89	MSMC_mpf_error13	Memory protection fault indicators for each system master PrivID
90	MSMC_mpf_error14	Memory protection fault indicators for each system master PrivID
91	MSMC_mpf_error15	Memory protection fault indicators for each system master PrivID
92	Reserved	
93	INTDST0	RapidIO interrupt
94	INTDST1	RapidIO interrupt

**Table 7-35 CIC1 Event Inputs (Secondary Events for EDMA3\_CC) (Part 4 of 5)**

Input Event # on CIC	System Interrupt	Description
95	INTDST2	RapidIO interrupt
96	INTDST3	RapidIO interrupt
97	INTDST4	RapidIO interrupt
98	INTDST5	RapidIO interrupt
99	INTDST6	RapidIO interrupt
100	INTDST7	RapidIO interrupt
101	INTDST8	RapidIO interrupt
102	INTDST9	RapidIO interrupt
103	INTDST10	RapidIO interrupt
104	INTDST11	RapidIO interrupt
105	INTDST12	RapidIO interrupt
106	INTDST13	RapidIO interrupt
107	INTDST14	RapidIO interrupt
108	INTDST15	RapidIO interrupt
109	INTDST16	RapidIO interrupt
110	INTDST17	RapidIO interrupt
111	INTDST18	RapidIO interrupt
112	INTDST19	RapidIO interrupt
113	INTDST20	RapidIO interrupt
114	INTDST21	RapidIO interrupt
115	INTDST22	RapidIO interrupt
116	INTDST23	RapidIO interrupt
117	GPINT24	GPIO interrupt
118	GPINT25	GPIO interrupt
119	VCPPOINT	VCP2_0 Error interrupt
120	VCP1INT	VCP2_1 Error interrupt
121	GPINT26	GPIO interrupt
122	GPINT27	GPIO interrupt
123	TCP3D_INTD	Error interrupt TCP3DINT0 and TCP3DINT1
124	GPINT28	GPIO interrupt
125	GPINT29	GPIO interrupt
126	GPINT30	GPIO interrupt
127	GPINT31	GPIO interrupt
128	GPINT4	GPIO interrupt
129	GPINT5	GPIO interrupt
130	GPINT6	GPIO interrupt
131	GPINT7	GPIO interrupt
132	Hyperlink_int_o	Hyperlink interrupt
133	Tracer_EMIF16	Tracer sliding time window interrupt for EMIF16
134	EASYNCERR	EMIF16 error interrupt
135	MPU4_INTD (MPU4_ADDR_ERR_INT and MPU4_PROT_ERR_INT combined)	MPU4 addressing violation interrupt and protection violation interrupt.
136	Reserved	
137	QM_INT_HIGH_0	QM interrupt

# TMS320C6655/57

## Fixed and Floating-Point Digital Signal Processor

SPRS814A—August 2012

www.ti.com

**Table 7-35 CIC1 Event Inputs (Secondary Events for EDMA3\_CC) (Part 5 of 5)**

Input Event # on CIC	System Interrupt	Description
138	QM_INT_HIGH_1	QM interrupt
139	QM_INT_HIGH_2	QM interrupt
140	QM_INT_HIGH_3	QM interrupt
141	QM_INT_HIGH_4	QM interrupt
142	QM_INT_HIGH_5	QM interrupt
143	QM_INT_HIGH_6	QM interrupt
144	QM_INT_HIGH_7	QM interrupt
145	QM_INT_HIGH_8	QM interrupt
146	QM_INT_HIGH_9	QM interrupt
147	QM_INT_HIGH_10	QM interrupt
148	QM_INT_HIGH_11	QM interrupt
149	QM_INT_HIGH_12	QM interrupt
150	QM_INT_HIGH_13	QM interrupt
151	QM_INT_HIGH_14	QM interrupt
152	QM_INT_HIGH_15	QM interrupt
153	Reserved	
154	Reserved	
155	Reserved	
156	Reserved	
157	Reserved	
158	Reserved	
159	DDR3_ERR	DDR3 error interrupt
<b>End of Table 7-35</b>		

**Table 7-36 CIC2 Event Inputs (Secondary Events for HyperLink) (Part 1 of 3)**

Input Event # on CIC	System Interrupt	Description
0	GPINT0	GPIO interrupt
1	GPINT1	GPIO interrupt
2	GPINT2	GPIO interrupt
3	GPINT3	GPIO interrupt
4	GPINT4	GPIO interrupt
5	GPINT5	GPIO interrupt
6	GPINT6	GPIO interrupt
7	GPINT7	GPIO interrupt
8	GPINT8	GPIO interrupt
9	GPINT9	GPIO interrupt
10	GPINT10	GPIO interrupt
11	GPINT11	GPIO interrupt
12	GPINT12	GPIO interrupt
13	GPINT13	GPIO interrupt
14	GPINT14	GPIO interrupt
15	GPINT15	GPIO interrupt
16	TETBHFULLINT	System TETB is half full
17	TETBFULLINT	System TETB is full



**Table 7-36 CIC2 Event Inputs (Secondary Events for HyperLink) (Part 2 of 3)**

Input Event # on CIC	System Interrupt	Description
18	TETBACQINT	System TETB acquisition has been completed
19	TETBHFULLINT0	TETB0 is half full
20	TETBFULLINT0	TETB0 is full
21	TETBACQINT0	TETB0 acquisition has been completed
22	TETBHFULLINT1	TETB1 is half full
23	TETBFULLINT1	TETB1 is full
24	TETBACQINT1	TETB1 acquisition has been completed
25	GPINT16	GPIO interrupt
26	GPINT17	GPIO interrupt
27	GPINT18	GPIO interrupt
28	GPINT19	GPIO interrupt
29	GPINT20	GPIO interrupt
30	GPINT21	GPIO interrupt
31	Tracer_core_0_INTD	Tracer sliding time window interrupt for individual core
32	Tracer_core_1_INTD	Tracer sliding time window interrupt for individual core (C6657 only)
33	GPINT22	GPIO interrupt
34	GPINT23	GPIO interrupt
35	Tracer_DDR_INTD	Tracer sliding time window interrupt for DDR3 EMIF1
36	Tracer_MSMC_0_INTD	Tracer sliding time window interrupt for MSMC SRAM bank0
37	Tracer_MSMC_1_INTD	Tracer sliding time window interrupt for MSMC SRAM bank1
38	Tracer_MSMC_2_INTD	Tracer sliding time window interrupt for MSMC SRAM bank2
39	Tracer_MSMC_3_INTD	Tracer sliding time window interrupt for MSMC SRAM bank3
40	Tracer_CFG_INTD	Tracer sliding time window interrupt for CFG0 TeraNet
41	Tracer_QM_SS_CFG_INTD	Tracer sliding time window interrupt for QM_SS CFG
42	Tracer_QM_SS_DMA_INTD	Tracer sliding time window interrupt for QM_SS slave port
43	Tracer_SEM_INTD	Tracer sliding time window interrupt for semaphore
44	Reserved	
45	GPINT24	GPIO interrupt
46	GPINT25	GPIO interrupt
47	GPINT26	GPIO interrupt
48	GPINT27	GPIO interrupt
49	TINT4L	Timer64_4 interrupt low
50	TINT4H	Timer64_4 interrupt high
51	TINT5L	Timer64_5 interrupt low
52	TINT5H	timer64_5 interrupt high
53	TINT6L	Timer64_6 interrupt low
54	TINT6H	Timer64_6 interrupt high
55	TINT7L	Timer64_7 interrupt low
56	TINT7H	Timer64_7 interrupt high
57	Reserved	
58	Reserved	
59	Reserved	
60	Tracer_EMIF16	Tracer sliding time window interrupt for EMIF16
61	DDR3_ERR	DDR3 EMIF Error interrupt

# TMS320C6655/57

## Fixed and Floating-Point Digital Signal Processor

SPRS814A—August 2012

**Table 7-36 CIC2 Event Inputs (Secondary Events for HyperLink) (Part 3 of 3)**

Input Event # on CIC	System Interrupt	Description
62	po_vp_smpsack_intr	Indicating that Volt_Proc receives the r-edge at its smpsack input.
63	EASYNCERR	EMIF16 error interrupt
64	GPINT28	GPIO interrupt
65	GPINT29	GPIO interrupt
66	GPINT30	GPIO interrupt
67	GPINT31	GPIO interrupt
68	TINT2L	Timer2 interrupt low
69	TINT2H	Timer2 interrupt high
70	TINT3L	Timer2 interrupt low
71	TINT3H	Timer2 interrupt high
72-79	Reserved	
<b>End of Table 7-36</b>		

## 7.8.2 CIC Registers

This section includes the offsets for CIC registers. The base addresses for interrupt control registers are CIC0 - 0x0260 0000, CIC1 - 0x0260 4000, and CIC2 - 0x0260 8000.

### 7.8.2.1 CIC0 Register Map

**Table 7-37 CIC0 Register (Part 1 of 4)**

Address Offset	Register Mnemonic	Register Name
0x0	REVISION_REG	Revision Register
0x4	CONTROL_REG	Control Register
0xc	HOST_CONTROL_REG	Host Control Register
0x10	GLOBAL_ENABLE_HINT_REG	Global Host Int Enable Register
0x20	STATUS_SET_INDEX_REG	Status Set Index Register
0x24	STATUS_CLR_INDEX_REG	Status Clear Index Register
0x28	ENABLE_SET_INDEX_REG	Enable Set Index Register
0x2c	ENABLE_CLR_INDEX_REG	Enable Clear Index Register
0x34	HINT_ENABLE_SET_INDEX_REG	Host Int Enable Set Index Register
0x38	HINT_ENABLE_CLR_INDEX_REG	Host Int Enable Clear Index Register
0x200	RAW_STATUS_REG0	Raw Status Register 0
0x204	RAW_STATUS_REG1	Raw Status Register 1
0x208	RAW_STATUS_REG2	Raw Status Register 2
0x20c	RAW_STATUS_REG3	Raw Status Register 3
0x210	RAW_STATUS_REG4	Raw Status Register 4
0x214	RAW_STATUS_REG5	Raw Status Register 5
0x218	RAW_STATUS_REG6	Raw Status Register 6
0x280	ENA_STATUS_REG0	Enabled Status Register 0
0x284	ENA_STATUS_REG1	Enabled Status Register 1
0x288	ENA_STATUS_REG2	Enabled Status Register 2
0x28c	ENA_STATUS_REG3	Enabled Status Register 3
0x290	ENA_STATUS_REG4	Enabled Status Register 4
0x294	ENA_STATUS_REG5	Enabled Status Register 5
0x298	ENA_STATUS_REG6	Enabled Status Register 6

**Table 7-37 CICO Register (Part 2 of 4)**

Address Offset	Register Mnemonic	Register Name
0x300	ENABLE_REG0	Enable Register 0
0x304	ENABLE_REG1	Enable Register 1
0x308	ENABLE_REG2	Enable Register 2
0x30c	ENABLE_REG3	Enable Register 3
0x310	ENABLE_REG4	Enable Register 4
0x314	ENABLE_REG5	Enable Register 5
0x318	ENABLE_REG6	Enable Register 6
0x380	ENABLE_CLR_REG0	Enable Clear Register 0
0x384	ENABLE_CLR_REG1	Enable Clear Register 1
0x388	ENABLE_CLR_REG2	Enable Clear Register 2
0x38c	ENABLE_CLR_REG3	Enable Clear Register 3
0x390	ENABLE_CLR_REG4	Enable Clear Register 4
0x394	ENABLE_CLR_REG5	Enable Clear Register 5
0x398	ENABLE_CLR_REG6	Enable Clear Register 6
0x400	CH_MAP_REG0	Interrupt Channel Map Register for 0 to 0+3
0x404	CH_MAP_REG1	Interrupt Channel Map Register for 4 to 4+3
0x408	CH_MAP_REG2	Interrupt Channel Map Register for 8 to 8+3
0x40c	CH_MAP_REG3	Interrupt Channel Map Register for 12 to 12+3
0x410	CH_MAP_REG4	Interrupt Channel Map Register for 16 to 16+3
0x414	CH_MAP_REG5	Interrupt Channel Map Register for 20 to 20+3
0x418	CH_MAP_REG6	Interrupt Channel Map Register for 24 to 24+3
0x41c	CH_MAP_REG7	Interrupt Channel Map Register for 28 to 28+3
0x420	CH_MAP_REG8	Interrupt Channel Map Register for 32 to 32+3
0x424	CH_MAP_REG9	Interrupt Channel Map Register for 36 to 36+3
0x428	CH_MAP_REG10	Interrupt Channel Map Register for 40 to 40+3
0x42c	CH_MAP_REG11	Interrupt Channel Map Register for 44 to 44+3
0x430	CH_MAP_REG12	Interrupt Channel Map Register for 48 to 48+3
0x434	CH_MAP_REG13	Interrupt Channel Map Register for 52 to 52+3
0x438	CH_MAP_REG14	Interrupt Channel Map Register for 56 to 56+3
0x43c	CH_MAP_REG15	Interrupt Channel Map Register for 60 to 60+3
0x440	CH_MAP_REG16	Interrupt Channel Map Register for 64 to 64+3
0x444	CH_MAP_REG17	Interrupt Channel Map Register for 68 to 68+3
0x448	CH_MAP_REG18	Interrupt Channel Map Register for 72 to 72+3
0x44c	CH_MAP_REG19	Interrupt Channel Map Register for 76 to 76+3
0x450	CH_MAP_REG20	Interrupt Channel Map Register for 80 to 80+3
0x454	CH_MAP_REG21	Interrupt Channel Map Register for 84 to 84+3
0x458	CH_MAP_REG22	Interrupt Channel Map Register for 88 to 88+3
0x45c	CH_MAP_REG23	Interrupt Channel Map Register for 92 to 92+3
0x460	CH_MAP_REG24	Interrupt Channel Map Register for 96 to 96+3
0x464	CH_MAP_REG25	Interrupt Channel Map Register for 100 to 100+3
0x468	CH_MAP_REG26	Interrupt Channel Map Register for 104 to 104+3
0x46c	CH_MAP_REG27	Interrupt Channel Map Register for 108 to 108+3
0x470	CH_MAP_REG28	Interrupt Channel Map Register for 112 to 112+3
0x474	CH_MAP_REG29	Interrupt Channel Map Register for 116 to 116+3

# TMS320C6655/57

## Fixed and Floating-Point Digital Signal Processor

SPRS814A—August 2012

[www.ti.com](http://www.ti.com)
**Table 7-37 CIC0 Register (Part 3 of 4)**

Address Offset	Register Mnemonic	Register Name
0x478	CH_MAP_REG30	Interrupt Channel Map Register for 120 to 120+3
0x47c	CH_MAP_REG31	Interrupt Channel Map Register for 124 to 124+3
0x480	CH_MAP_REG32	Interrupt Channel Map Register for 128 to 128+3
0x484	CH_MAP_REG33	Interrupt Channel Map Register for 132 to 132+3
0x488	CH_MAP_REG34	Interrupt Channel Map Register for 136 to 136+3
0x48c	CH_MAP_REG35	Interrupt Channel Map Register for 140 to 140+3
0x490	CH_MAP_REG36	Interrupt Channel Map Register for 144 to 144+3
0x494	CH_MAP_REG37	Interrupt Channel Map Register for 148 to 148+3
0x498	CH_MAP_REG38	Interrupt Channel Map Register for 152 to 152+3
0x49c	CH_MAP_REG39	Interrupt Channel Map Register for 156 to 156+3
0x4a0	CH_MAP_REG40	Interrupt Channel Map Register for 160 to 160+3
0x4a4	CH_MAP_REG41	Interrupt Channel Map Register for 164 to 164+3
0x4a8	CH_MAP_REG42	Interrupt Channel Map Register for 168 to 168+3
0x4ac	CH_MAP_REG43	Interrupt Channel Map Register for 172 to 172+3
0x4b0	CH_MAP_REG44	Interrupt Channel Map Register for 176 to 176+3
0x4b4	CH_MAP_REG45	Interrupt Channel Map Register for 180 to 180+3
0x4b8	CH_MAP_REG46	Interrupt Channel Map Register for 184 to 184+3
0x4bc	CH_MAP_REG47	Interrupt Channel Map Register for 188 to 188+3
0x4c0	CH_MAP_REG48	Interrupt Channel Map Register for 192 to 192+3
0x4c4	CH_MAP_REG49	Interrupt Channel Map Register for 196 to 196+3
0x4c8	CH_MAP_REG50	Interrupt Channel Map Register for 200 to 200+3
0x4cc	CH_MAP_REG51	Interrupt Channel Map Register for 204 to 204+3
0x800	HINT_MAP_REG0	Host Interrupt Map Register for 0 to 0+3
0x804	HINT_MAP_REG1	Host Interrupt Map Register for 4 to 4+3
0x808	HINT_MAP_REG2	Host Interrupt Map Register for 8 to 8+3
0x80c	HINT_MAP_REG3	Host Interrupt Map Register for 12 to 12+3
0x810	HINT_MAP_REG4	Host Interrupt Map Register for 16 to 16+3
0x814	HINT_MAP_REG5	Host Interrupt Map Register for 20 to 20+3
0x818	HINT_MAP_REG6	Host Interrupt Map Register for 24 to 24+3
0x81c	HINT_MAP_REG7	Host Interrupt Map Register for 28 to 28+3
0x820	HINT_MAP_REG8	Host Interrupt Map Register for 32 to 32+3
0x824	HINT_MAP_REG9	Host Interrupt Map Register for 36 to 36+3
0x828	HINT_MAP_REG10	Host Interrupt Map Register for 40 to 40+3
0x82c	HINT_MAP_REG11	Host Interrupt Map Register for 44 to 44+3
0x830	HINT_MAP_REG12	Host Interrupt Map Register for 48 to 48+3
0x834	HINT_MAP_REG13	Host Interrupt Map Register for 52 to 52+3
0x838	HINT_MAP_REG14	Host Interrupt Map Register for 56 to 56+3
0x83c	HINT_MAP_REG15	Host Interrupt Map Register for 60 to 60+3
0x840	HINT_MAP_REG16	Host Interrupt Map Register for 64 to 64+3
0x844	HINT_MAP_REG17	Host Interrupt Map Register for 68 to 68+3
0x848	HINT_MAP_REG18	Host Interrupt Map Register for 72 to 72+3
0x84c	HINT_MAP_REG19	Host Interrupt Map Register for 76 to 76+3
0x850	HINT_MAP_REG20	Host Interrupt Map Register for 80 to 80+3
0x854	HINT_MAP_REG21	Host Interrupt Map Register for 84 to 84+3

**Table 7-37 CIC0 Register (Part 4 of 4)**

Address Offset	Register Mnemonic	Register Name
0x858	HINT_MAP_REG22	Host Interrupt Map Register for 88 to 88+3
0x860	HINT_MAP_REG23	Host Interrupt Map Register for 92 to 92+3
0x1500	ENABLE_HINT_REG0	Host Int Enable Register 0
0x1504	ENABLE_HINT_REG1	Host Int Enable Register 1
0x1508	ENABLE_HINT_REG2	Host Int Enable Register 2
<b>End of Table 7-37</b>		

### 7.8.2.2 CIC1 Register Map

**Table 7-38 CIC1 Register (Part 1 of 3)**

Address Offset	Register Mnemonic	Register Name
0x0	REVISION_REG	Revision Register
0x10	GLOBAL_ENABLE_HINT_REG	Global Host Int Enable Register
0x20	STATUS_SET_INDEX_REG	Status Set Index Register
0x24	STATUS_CLR_INDEX_REG	Status Clear Index Register
0x28	ENABLE_SET_INDEX_REG	Enable Set Index Register
0x2c	ENABLE_CLR_INDEX_REG	Enable Clear Index Register
0x34	HINT_ENABLE_SET_INDEX_REG	Host Int Enable Set Index Register
0x38	HINT_ENABLE_CLR_INDEX_REG	Host Int Enable Clear Index Register
0x200	RAW_STATUS_REG0	Raw Status Register 0
0x204	RAW_STATUS_REG1	Raw Status Register 1
0x208	RAW_STATUS_REG2	Raw Status Register 2
0x20c	RAW_STATUS_REG3	Raw Status Register 3
0x210	RAW_STATUS_REG4	Raw Status Register 4
0x280	ENA_STATUS_REG0	Enabled Status Register 0
0x284	ENA_STATUS_REG1	Enabled Status Register 1
0x288	ENA_STATUS_REG2	Enabled Status Register 2
0x28c	ENA_STATUS_REG3	Enabled Status Register 3
0x290	ENA_STATUS_REG4	Enabled Status Register 4
0x300	ENABLE_REG0	Enable Register 0
0x304	ENABLE_REG1	Enable Register 1
0x308	ENABLE_REG2	Enable Register 2
0x30c	ENABLE_REG3	Enable Register 3
0x310	ENABLE_REG4	Enable Register 4
0x380	ENABLE_CLR_REG0	Enable Clear Register 0
0x384	ENABLE_CLR_REG1	Enable Clear Register 1
0x388	ENABLE_CLR_REG2	Enable Clear Register 2
0x38c	ENABLE_CLR_REG3	Enable Clear Register 3
0x390	ENABLE_CLR_REG4	Enable Clear Register 4
0x400	CH_MAP_REG0	Interrupt Channel Map Register for 0 to 0+3
0x404	CH_MAP_REG1	Interrupt Channel Map Register for 4 to 4+3
0x408	CH_MAP_REG2	Interrupt Channel Map Register for 8 to 8+3
0x40c	CH_MAP_REG3	Interrupt Channel Map Register for 12 to 12+3
0x410	CH_MAP_REG4	Interrupt Channel Map Register for 16 to 16+3

# TMS320C6655/57

## Fixed and Floating-Point Digital Signal Processor

SPRS814A—August 2012

[www.ti.com](http://www.ti.com)
**Table 7-38 CIC1 Register (Part 2 of 3)**

Address Offset	Register Mnemonic	Register Name
0x414	CH_MAP_REG5	Interrupt Channel Map Register for 20 to 20+3
0x418	CH_MAP_REG6	Interrupt Channel Map Register for 24 to 24+3
0x41c	CH_MAP_REG7	Interrupt Channel Map Register for 28 to 28+3
0x420	CH_MAP_REG8	Interrupt Channel Map Register for 32 to 32+3
0x424	CH_MAP_REG9	Interrupt Channel Map Register for 36 to 36+3
0x428	CH_MAP_REG10	Interrupt Channel Map Register for 40 to 40+3
0x42c	CH_MAP_REG11	Interrupt Channel Map Register for 44 to 44+3
0x430	CH_MAP_REG12	Interrupt Channel Map Register for 48 to 48+3
0x434	CH_MAP_REG13	Interrupt Channel Map Register for 52 to 52+3
0x438	CH_MAP_REG14	Interrupt Channel Map Register for 56 to 56+3
0x43c	CH_MAP_REG15	Interrupt Channel Map Register for 60 to 60+3
0x440	CH_MAP_REG16	Interrupt Channel Map Register for 64 to 64+3
0x444	CH_MAP_REG17	Interrupt Channel Map Register for 68 to 68+3
0x448	CH_MAP_REG18	Interrupt Channel Map Register for 72 to 72+3
0x44c	CH_MAP_REG19	Interrupt Channel Map Register for 76 to 76+3
0x450	CH_MAP_REG20	Interrupt Channel Map Register for 80 to 80+3
0x454	CH_MAP_REG21	Interrupt Channel Map Register for 84 to 84+3
0x458	CH_MAP_REG22	Interrupt Channel Map Register for 88 to 88+3
0x45c	CH_MAP_REG23	Interrupt Channel Map Register for 92 to 92+3
0x460	CH_MAP_REG24	Interrupt Channel Map Register for 96 to 96+3
0x464	CH_MAP_REG25	Interrupt Channel Map Register for 100 to 100+3
0x468	CH_MAP_REG26	Interrupt Channel Map Register for 104 to 104+3
0x46c	CH_MAP_REG27	Interrupt Channel Map Register for 108 to 108+3
0x470	CH_MAP_REG28	Interrupt Channel Map Register for 112 to 112+3
0x474	CH_MAP_REG29	Interrupt Channel Map Register for 116 to 116+3
0x478	CH_MAP_REG30	Interrupt Channel Map Register for 120 to 120+3
0x47c	CH_MAP_REG31	Interrupt Channel Map Register for 124 to 124+3
0x480	CH_MAP_REG32	Interrupt Channel Map Register for 128 to 128+3
0x484	CH_MAP_REG33	Interrupt Channel Map Register for 132 to 132+3
0x488	CH_MAP_REG34	Interrupt Channel Map Register for 136 to 136+3
0x48c	CH_MAP_REG35	Interrupt Channel Map Register for 140 to 140+3
0x490	CH_MAP_REG36	Interrupt Channel Map Register for 144 to 144+3
0x494	CH_MAP_REG37	Interrupt Channel Map Register for 148 to 148+3
0x498	CH_MAP_REG38	Interrupt Channel Map Register for 152 to 152+3
0x49c	CH_MAP_REG39	Interrupt Channel Map Register for 156 to 156+3
0x800	HINT_MAP_REG0	Host Interrupt Map Register for 0 to 0+3
0x804	HINT_MAP_REG1	Host Interrupt Map Register for 4 to 4+3
0x808	HINT_MAP_REG2	Host Interrupt Map Register for 8 to 8+3
0x80c	HINT_MAP_REG3	Host Interrupt Map Register for 12 to 12+3
0x810	HINT_MAP_REG4	Host Interrupt Map Register for 16 to 16+3
0x814	HINT_MAP_REG5	Host Interrupt Map Register for 20 to 20+3
0x818	HINT_MAP_REG6	Host Interrupt Map Register for 24 to 24+3
0x81c	HINT_MAP_REG7	Host Interrupt Map Register for 28 to 28+3
0x820	HINT_MAP_REG8	Host Interrupt Map Register for 32 to 32+3

**Table 7-38 CIC1 Register (Part 3 of 3)**

Address Offset	Register Mnemonic	Register Name
0x824	HINT_MAP_REG9	Host Interrupt Map Register for 36 to 36+3
0x828	HINT_MAP_REG10	Host Interrupt Map Register for 40 to 40+3
0x82c	HINT_MAP_REG11	Host Interrupt Map Register for 44 to 44+3
0x830	HINT_MAP_REG12	Host Interrupt Map Register for 48 to 48+3
0x834	HINT_MAP_REG13	Host Interrupt Map Register for 52 to 52+3
0x838	HINT_MAP_REG14	Host Interrupt Map Register for 56 to 56+3
0x83c	HINT_MAP_REG15	Host Interrupt Map Register for 60 to 60+3
0x1500	ENABLE_HINT_REG0	Host Int Enable Register 0
0x1504	ENABLE_HINT_REG1	Host Int Enable Register 1
<b>End of Table 7-38</b>		

### 7.8.2.3 CIC2 Register Map

**Table 7-39 CIC2 Register (Part 1 of 2)**

Address Offset	Register Mnemonic	Register Name
0x0	REVISION_REG	Revision Register
0x10	GLOBAL_ENABLE_HINT_REG	Global Host Int Enable Register
0x20	STATUS_SET_INDEX_REG	Status Set Index Register
0x24	STATUS_CLR_INDEX_REG	Status Clear Index Register
0x28	ENABLE_SET_INDEX_REG	Enable Set Index Register
0x2c	ENABLE_CLR_INDEX_REG	Enable Clear Index Register
0x34	HINT_ENABLE_SET_INDEX_REG	Host Int Enable Set Index Register
0x38	HINT_ENABLE_CLR_INDEX_REG	Host Int Enable Clear Index Register
0x200	RAW_STATUS_REG0	Raw Status Register 0
0x204	RAW_STATUS_REG1	Raw Status Register 1
0x208	RAW_STATUS_REG2	Raw Status Register 2
0x280	ENA_STATUS_REG0	Enabled Status Register 0
0x284	ENA_STATUS_REG1	Enabled Status Register 1
0x288	ENA_STATUS_REG2	Enabled Status Register 2
0x300	ENABLE_REG0	Enable Register 0
0x304	ENABLE_REG1	Enable Register 1
0x308	ENABLE_REG2	Enable Register 2
0x380	ENABLE_CLR_REG0	Enable Clear Register 0
0x384	ENABLE_CLR_REG1	Enable Clear Register 1
0x388	ENABLE_CLR_REG2	Enable Clear Register 2
0x400	CH_MAP_REG0	Interrupt Channel Map Register for 0 to 0+3
0x404	CH_MAP_REG1	Interrupt Channel Map Register for 4 to 4+3
0x408	CH_MAP_REG2	Interrupt Channel Map Register for 8 to 8+3
0x40c	CH_MAP_REG3	Interrupt Channel Map Register for 12 to 12+3
0x410	CH_MAP_REG4	Interrupt Channel Map Register for 16 to 16+3
0x414	CH_MAP_REG5	Interrupt Channel Map Register for 20 to 20+3
0x418	CH_MAP_REG6	Interrupt Channel Map Register for 24 to 24+3
0x41c	CH_MAP_REG7	Interrupt Channel Map Register for 28 to 28+3
0x420	CH_MAP_REG8	Interrupt Channel Map Register for 32 to 32+3

# TMS320C6655/57

## Fixed and Floating-Point Digital Signal Processor

SPRS814A—August 2012



www.ti.com

**Table 7-39 CIC2 Register (Part 2 of 2)**

Address Offset	Register Mnemonic	Register Name
0x424	CH_MAP_REG9	Interrupt Channel Map Register for 36 to 36+3
0x428	CH_MAP_REG10	Interrupt Channel Map Register for 40 to 40+3
0x42c	CH_MAP_REG11	Interrupt Channel Map Register for 44 to 44+3
0x430	CH_MAP_REG12	Interrupt Channel Map Register for 48 to 48+3
0x434	CH_MAP_REG13	Interrupt Channel Map Register for 52 to 52+3
0x438	CH_MAP_REG14	Interrupt Channel Map Register for 56 to 56+3
0x43c	CH_MAP_REG15	Interrupt Channel Map Register for 60 to 60+3
0x440	CH_MAP_REG16	Interrupt Channel Map Register for 64 to 64+3
0x444	CH_MAP_REG17	Interrupt Channel Map Register for 68 to 68+3
0x448	CH_MAP_REG18	Interrupt Channel Map Register for 72 to 72+3
0x44c	CH_MAP_REG19	Interrupt Channel Map Register for 76 to 76+3
0x800	HINT_MAP_REG0	Host Interrupt Map Register for 0 to 0+3
0x804	HINT_MAP_REG1	Host Interrupt Map Register for 4 to 4+3
0x808	HINT_MAP_REG2	Host Interrupt Map Register for 8 to 8+3
0x80c	HINT_MAP_REG3	Host Interrupt Map Register for 12 to 12+3
0x810	HINT_MAP_REG4	Host Interrupt Map Register for 16 to 16+3
0x814	HINT_MAP_REG5	Host Interrupt Map Register for 20 to 20+3
0x818	HINT_MAP_REG6	Host Interrupt Map Register for 24 to 24+3
0x81c	HINT_MAP_REG7	Host Interrupt Map Register for 28 to 28+3
0x1500	ENABLE_HINT_REG0	Host Int Enable Register 0

**End of Table 7-39**

### 7.8.3 Inter-Processor Register Map

**Table 7-40 IPC Generation Registers (IPCGRx) (Part 1 of 2)**

Address Start	Address End	Size	Register Name	Description
0x02620200	0x02620203	4B	NMIGR0	NMI Event Generation Register for CorePac0
0x02620204	0x02620207	4B	NMIGR1	NMI Event Generation Register for CorePac 1 (C6657 only)
0x02620208	0x0262020B	4B	Reserved	Reserved
0x0262020C	0x0262020F	4B	Reserved	Reserved
0x02620210	0x02620213	4B	Reserved	Reserved
0x02620214	0x02620217	4B	Reserved	Reserved
0x02620218	0x0262021B	4B	Reserved	Reserved
0x0262021C	0x0262021F	4B	Reserved	Reserved
0x02620220	0x0262023F	32B	Reserved	Reserved
0x02620240	0x02620243	4B	IPCGR0	IPC Generation Register for CorePac 0
0x02620244	0x02620247	4B	IPCGR1	IPC Generation Register for CorePac 1 (C6657 only)
0x02620248	0x0262024B	4B	Reserved	Reserved
0x0262024C	0x0262024F	4B	Reserved	Reserved
0x02620250	0x02620253	4B	Reserved	Reserved
0x02620254	0x02620257	4B	Reserved	Reserved
0x02620258	0x0262025B	4B	Reserved	Reserved
0x0262025C	0x0262025F	4B	Reserved	Reserved
0x02620260	0x0262027B	28B	Reserved	Reserved



**Table 7-40 IPC Generation Registers (IPCGRx) (Part 2 of 2)**

Address Start	Address End	Size	Register Name	Description
0x0262027C	0x0262027F	4B	IPCGRH	IPC Generation Register for Host
0x02620280	0x02620283	4B	IPCAR0	IPC Acknowledgement Register for CorePac 0
0x02620284	0x02620287	4B	IPCAR1	IPC Acknowledgement Register for CorePac 1 (C6657 only)
0x02620288	0x0262028B	4B	Reserved	Reserved
0x0262028C	0x0262028F	4B	Reserved	Reserved
0x02620290	0x02620293	4B	Reserved	Reserved
0x02620294	0x02620297	4B	Reserved	Reserved
0x02620298	0x0262029B	4B	Reserved	Reserved
0x0262029C	0x0262029F	4B	Reserved	Reserved
0x026202A0	0x026202BB	28B	Reserved	Reserved
0x026202BC	0x026202BF	4B	IPCARH	IPC Acknowledgement Register for Host
<b>End of Table 7-40</b>				

### 7.8.4 $\overline{\text{NMI}}$ and $\overline{\text{LRESET}}$

Non-maskable interrupts ( $\overline{\text{NMI}}$ ) can be generated by chip-level registers and the  $\overline{\text{LRESET}}$  can be generated by software writing into LPSC registers.  $\overline{\text{LRESET}}$  and  $\overline{\text{NMI}}$  can also be asserted by device pins or watchdog timers. One  $\overline{\text{NMI}}$  pin and one  $\overline{\text{LRESET}}$  pin are shared by all CorePacs on the device. The CORESEL[3:0] pins can be configured to select between the CorePacs available as shown in Table 7-41.

**Table 7-41  $\overline{\text{LRESET}}$  and  $\overline{\text{NMI}}$  Decoding**

CORESEL[1:0] Pin Input	$\overline{\text{LRESET}}$ Pin Input	$\overline{\text{NMI}}$ Pin Input	$\overline{\text{LRESETNMIEN}}$ Pin Input	Reset Mux Block Output
XX	X	X	1	No local reset or $\overline{\text{NMI}}$ assertion.
00	0	X	0	Assert local reset to CorePac 0
01	0	X	0	Assert local reset to CorePac 1 (C6657) or Reserved (C6655)
1x	0	X	0	Assert local reset to all CorePacs
00	1	1	0	De-assert local reset & $\overline{\text{NMI}}$ to CorePac 0
01	1	1	0	De-assert local reset & $\overline{\text{NMI}}$ to CorePac 1 (C6657) or Reserved (C6655)
1x	1	1	0	De-assert local reset & $\overline{\text{NMI}}$ to all CorePacs
00	1	0	0	Assert $\overline{\text{NMI}}$ to CorePac 0
01	1	0	0	Assert $\overline{\text{NMI}}$ to CorePac 1 (C6657) or Reserved (C6655)
1x	1	0	0	Assert $\overline{\text{NMI}}$ to all CorePacs
<b>End of Table 7-41</b>				

### 7.8.5 External Interrupts Electrical Data/Timing

**Table 7-42 NMI and Local Reset Timing Requirements <sup>(1)</sup>**  
 (see Figure 7-26)

No.			Min	Max	Unit
1	tsu( $\overline{\text{LRESET}}$ - $\overline{\text{LRESETNMIENL}}$ )	Setup Time - $\overline{\text{LRESET}}$ valid before $\overline{\text{LRESETNMIEN}}$ low	12*P		ns
1	tsu( $\overline{\text{NMI}}$ - $\overline{\text{LRESETNMIENL}}$ )	Setup Time - $\overline{\text{NMI}}$ valid before $\overline{\text{LRESETNMIEN}}$ low	12*P		ns
1	tsu(CORESELn- $\overline{\text{LRESETNMIENL}}$ )	Setup Time - CORESEL[2:0] valid before $\overline{\text{LRESETNMIEN}}$ low	12*P		ns
2	th( $\overline{\text{LRESETNMIENL}}$ - $\overline{\text{LRESET}}$ )	Hold Time - $\overline{\text{LRESET}}$ valid after $\overline{\text{LRESETNMIEN}}$ high	12*P		ns
2	th( $\overline{\text{LRESETNMIENL}}$ - $\overline{\text{NMI}}$ )	Hold Time - $\overline{\text{NMI}}$ valid after $\overline{\text{LRESETNMIEN}}$ high	12*P		ns

# TMS320C6655/57

## Fixed and Floating-Point Digital Signal Processor

SPRS814A—August 2012

www.ti.com

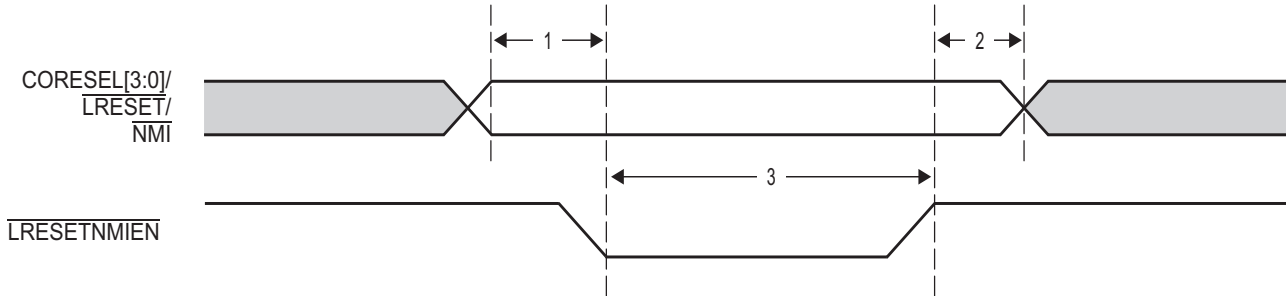
**Table 7-42 NMI and Local Reset Timing Requirements** <sup>(1)</sup>  
(see [Figure 7-26](#))

No.		Min	Max	Unit
2	th(LRESETNMIENL-CORESELn) Hold Time - CORESEL[2:0] valid after LRESETNMIEN high	12*P		ns
3	tw(LRESETNMIEN) Pulse Width - LRESETNMIEN low width	12*P		ns

**End of Table 7-42**

1 P = 1/SYSCLK1 clock frequency in ns.

**Figure 7-26 NMI and Local Reset Timing**



## 7.9 Memory Protection Unit (MPU)

The C6655/57 supports five MPUs:

- One MPU is used to protect main CORE/3 CFG TeraNet (CFG space of all slave devices on the TeraNet is protected by the MPU).
- Two MPUs are used for QM\_SS (one for the DATA PORT port and the other is for the CFG PORT port).
- One MPU is used for Semaphore.
- One MPU is used for EMIF16

This section contains MPU register map and details of device-specific MPU registers only. For MPU features and details of generic MPU registers, see the *Memory Protection Unit (MPU) for KeyStone Devices User Guide* in “[Related Documentation from Texas Instruments](#)” on page 65.

The following tables show the configuration of each MPU and the memory regions protected by each MPU.

**Table 7-43 MPU Default Configuration**

Setting	MPU0 Main CFG TeraNet	MPU1 (QM_SS DATA PORT)	MPU2 (QM_SS CFG PORT)	MPU3 Semaphore	MPU4 EMIF16
Default permission	Assume allowed	Assume allowed	Assume allowed	Assume allowed	Assume allowed
Number of allowed IDs supported	16	16	16	16	16
Number of programmable ranges supported	16	5	16	1	16
Compare width	1KB granularity	1KB granularity	1KB granularity	1KB granularity	1KB granularity
<b>End of Table 7-43</b>					

**Table 7-44 MPU Memory Regions**

	Memory Protection	Start Address	End Address
<b>MPU0</b>	Main CFG TeraNet	0x01D00000	0x026203FF
<b>MPU1</b>	QM_SS DATA PORT	0x34000000	0x340BFFFF
<b>MPU2</b>	QM_SS CFG PORT	0x02A00000	0x02ABFFFF
<b>MPU3</b>	Semaphore	0x02640000	0x026407FF
<b>MPU4</b>	EMIF16	0x70000000	0x7FFFFFFF

[Table 7-45](#) shows the privilege ID of each CORE and every mastering peripheral. [Table 7-45](#) also shows the privilege level (supervisor vs. user), security level (secure vs. non-secure), and access type (instruction read vs. data/DMA read or write) of each master on the device. In some cases, a particular setting depends on software being executed at the time of the access or the configuration of the master peripheral.

**Table 7-45 Privilege ID Settings (Part 1 of 2)**

Privilege ID	Master	Privilege Level	Security Level	Access Type
0	CorePac0	SW dependant, driven by MSMC	SW dependant	DMA
1	CorePac1 (C657 only)	SW dependant, driven by MSMC	SW dependant	DMA
2	Reserved			
3	Reserved			
4	Reserved			
5	Reserved			
6	uPP	User	Non-secure	DMA
7	EMAC	User	Non-secure	DMA

# TMS320C6655/57 Fixed and Floating-Point Digital Signal Processor

SPRS814A—August 2012



www.ti.com

**Table 7-45 Privilege ID Settings (Part 2 of 2)**

Privilege ID	Master	Privilege Level	Security Level	Access Type
8	QM_PKTDMA	User	Non-secure	DMA
9	SRIO_PKTDMA/SRIO_M	User/Driven by SRIO block, user mode and supervisor mode is determined on a per-transaction basis. Only the transaction with source ID matching the value in the SupervisorID Register is granted supervisor mode.	Non-secure	DMA
10	QM_second	User	Non-secure	DMA
11	PCle	Supervisor	Non-secure	DMA
12	DAP	Driven by debug_SS	Driven by debug_SS	DMA
13	HyperLink	Supervisor	Non-secure	DMA
14	HyperLink	Supervisor	Non-secure	DMA
15	HyperLink	Supervisor	Non-secure	DMA
<b>End of Table 7-45</b>				

Table 7-46 shows the master ID of each CorePac and every mastering peripheral. Master IDs are used to determine allowed connections between masters and slaves. Unlike privilege IDs, which can be shared across different masters, master IDs are unique to each master.

**Table 7-46 Master ID Settings (Part 1 of 3) <sup>(1)</sup>**

Master ID	Master
0	CorePac0
1	CorePac1 (C6657) or Reserved (C6655)
2	Reserved
3	Reserved
4	Reserved
5	Reserved
6	Reserved
7	Reserved
8	CorePac0_CFG
9	CorePac1_CFG (C6657) or Reserved (C6655)
10	Reserved
11	Reserved
12	Reserved
13	Reserved
14	Reserved
15	Reserved
16	Reserved
17	Reserved
18	Reserved
19	Reserved
20	Reserved
21	Reserved
22	Reserved
23	Reserved
24	Reserved
25	Reserved
26	Reserved

**Table 7-46 Master ID Settings (Part 2 of 3)<sup>(1)</sup>**

Master ID	Master
27	Reserved
28	EDMA_TC0 read
29	EDMA_TC0 write
30	EDMA_TC1 read
31	EDMA_TC1 write
32	EDMA_TC2 read
33	EDMA_TC2 write
34	EDMA_TC3 read
35	EDMA_TC3 write
36 - 37	Reserved
38 - 39	SRIO_PKTDMA
40 - 47	Reserved
48	DAP
49	Reserved
50	EDMA3_CC
51	Reserved
52	MSMC <sup>(2)</sup>
53	PCIe
54	SRIO_Master(
55	HyperLink
56	EMAC
57 - 87	Reserved
88 - 91	QM_PKTDMA
92 - 93	QM_second
94	Reserved
95	uPP
96 - 127	Reserved
128	Tracer_core_0 <sup>(3)</sup>
129	Tracer_core_1 (C6657) or Reserved (C6655)
130	Reserved
131	Reserved
132	Reserved
133	Reserved
134	Reserved
135	Reserved
136	Tracer_MSMC0
137	Tracer_MSMC1
138	Tracer_MSMC2
139	Tracer_MSMC3
140	Tracer_DDR
141	Tracer_SEM
142	Tracer_QM_CFG
143	Tracer_QM_Data
144	Tracer_CFG

# TMS320C6655/57

## Fixed and Floating-Point Digital Signal Processor

SPRS814A—August 2012

www.ti.com

**Table 7-46 Master ID Settings (Part 3 of 3)** <sup>(1)</sup>

Master ID	Master
145	Reserved
146	Reserved
147	Reserved
148	Tracer_EMIF16
<b>End of Table 7-46</b>	

1 Some of the PKTDMA-based peripherals require multiple master IDs. QMS\_PKT DMA is assigned with 88,89,90,91, but only 88-89 are actually used. There are two master ID values assigned for the QM\_second master port, one master ID for external linking RAM and the other one for the PDSP/MCDM accesses.

2 The master ID for MSMC is for the transactions initiated by MSMC internally and sent to the DDR.

3 All Tracers are set to the same master ID and bit 7 of the master ID needs to be 1.

## 7.9.1 MPU Registers

This section includes the offsets for MPU registers and definitions for device specific MPU registers.

### 7.9.1.1 MPU Register Map

**Table 7-47 MPU0 Registers (Part 1 of 2)**

Offset	Name	Description
0h	REVID	Revision ID
4h	CONFIG	Configuration
10h	IRAWSTAT	Interrupt raw status/set
14h	IENSTAT	Interrupt enable status/clear
18h	IENSET	Interrupt enable
1Ch	IENCLR	Interrupt enable clear
20h	EOI	End of interrupt
200h	PROG0_MPSAR	Programmable range 0, start address
204h	PROG0_MPEAR	Programmable range 0, end address
208h	PROG0_MPPA	Programmable range 0, memory page protection attributes
210h	PROG1_MPSAR	Programmable range 1, start address
214h	PROG1_MPEAR	Programmable range 1, end address
218h	PROG1_MPPA	Programmable range 1, memory page protection attributes
220h	PROG2_MPSAR	Programmable range 2, start address
224h	PROG2_MPEAR	Programmable range 2, end address
228h	PROG2_MPPA	Programmable range 2, memory page protection attributes
230h	PROG3_MPSAR	Programmable range 3, start address
234h	PROG3_MPEAR	Programmable range 3, end address
238h	PROG3_MPPA	Programmable range 3, memory page protection attributes
240h	PROG4_MPSAR	Programmable range 4, start address
244h	PROG4_MPEAR	Programmable range 4, end address
248h	PROG4_MPPA	Programmable range 4, memory page protection attributes
250h	PROG5_MPSAR	Programmable range 5, start address
254h	PROG5_MPEAR	Programmable range 5, end address
258h	PROG5_MPPA	Programmable range 5, memory page protection attributes
260h	PROG6_MPSAR	Programmable range 6, start address
264h	PROG6_MPEAR	Programmable range 6, end address
268h	PROG6_MPPA	Programmable range 6, memory page protection attributes

**Table 7-47 MPU0 Registers (Part 2 of 2)**

Offset	Name	Description
270h	PROG7_MPSAR	Programmable range 7, start address
274h	PROG7_MPEAR	Programmable range 7, end address
278h	PROG7_MPPA	Programmable range 7, memory page protection attributes
280h	PROG8_MPSAR	Programmable range 8, start address
284h	PROG8_MPEAR	Programmable range 8, end address
288h	PROG8_MPPA	Programmable range 8, memory page protection attributes
290h	PROG9_MPSAR	Programmable range 9, start address
294h	PROG9_MPEAR	Programmable range 9, end address
298h	PROG9_MPPA	Programmable range 9, memory page protection attributes
2A0h	PROG10_MPSAR	Programmable range 10, start address
2A4h	PROG10_MPEAR	Programmable range 10, end address
2A8h	PROG10_MPPA	Programmable range 10, memory page protection attributes
2B0h	PROG11_MPSAR	Programmable range 11, start address
2B4h	PROG11_MPEAR	Programmable range 11, end address
2B8h	PROG11_MPPA	Programmable range 11, memory page protection attributes
2C0h	PROG12_MPSAR	Programmable range 12, start address
2C4h	PROG12_MPEAR	Programmable range 12, end address
2C8h	PROG12_MPPA	Programmable range 12, memory page protection attributes
2D0h	PROG13_MPSAR	Programmable range 13, start address
2D4h	PROG13_MPEAR	Programmable range 13, end address
2Dh	PROG13_MPPA	Programmable range 13, memory page protection attributes
2E0h	PROG14_MPSAR	Programmable range 14, start address
2E4h	PROG14_MPEAR	Programmable range 14, end address
2E8h	PROG14_MPPA	Programmable range 14, memory page protection attributes
2F0h	PROG15_MPSAR	Programmable range 15, start address
2F4h	PROG15_MPEAR	Programmable range 15, end address
2F8h	PROG15_MPPA	Programmable range 15, memory page protection attributes
300h	FLTADDRR	Fault address
304h	FLTSTAT	Fault status
308h	FLTCLR	Fault clear
<b>End of Table 7-47</b>		

**Table 7-48 MPU1 Registers (Part 1 of 2)**

Offset	Name	Description
0h	REVID	Revision ID
4h	CONFIG	Configuration
10h	IRAWSTAT	Interrupt raw status/set
14h	IENSTAT	Interrupt enable status/clear
18h	IENSET	Interrupt enable
1Ch	IENCLR	Interrupt enable clear
20h	EOI	End of interrupt
200h	PROG0_MPSAR	Programmable range 0, start address
204h	PROG0_MPEAR	Programmable range 0, end address

# TMS320C6655/57

## Fixed and Floating-Point Digital Signal Processor

SPRS814A—August 2012



www.ti.com

**Table 7-48 MPU1 Registers (Part 2 of 2)**

Offset	Name	Description
208h	PROG0_MPPA	Programmable range 0, memory page protection attributes
210h	PROG1_MPSAR	Programmable range 1, start address
214h	PROG1_MPEAR	Programmable range 1, end address
218h	PROG1_MPPA	Programmable range 1, memory page protection attributes
220h	PROG2_MPSAR	Programmable range 2, start address
224h	PROG2_MPEAR	Programmable range 2, end address
228h	PROG2_MPPA	Programmable range 2, memory page protection attributes
230h	PROG3_MPSAR	Programmable range 3, start address
234h	PROG3_MPEAR	Programmable range 3, end address
238h	PROG3_MPPA	Programmable range 3, memory page protection attributes
240h	PROG4_MPSAR	Programmable range 4, start address
244h	PROG4_MPEAR	Programmable range 4, end address
248h	PROG4_MPPA	Programmable range 4, memory page protection attributes
300h	FLTADDRR	Fault address
304h	FLTSTAT	Fault status
308h	FLTCLR	Fault clear
<b>End of Table 7-48</b>		

**Table 7-49 MPU2 Registers (Part 1 of 2)**

Offset	Name	Description
0h	REVID	Revision ID
4h	CONFIG	Configuration
10h	IRAWSTAT	Interrupt raw status/set
14h	IENSTAT	Interrupt enable status/clear
18h	IENSET	Interrupt enable
1Ch	IENCLR	Interrupt enable clear
20h	EOI	End of interrupt
200h	PROG0_MPSAR	Programmable range 0, start address
204h	PROG0_MPEAR	Programmable range 0, end address
208h	PROG0_MPPA	Programmable range 0, memory page protection attributes
210h	PROG1_MPSAR	Programmable range 1, start address
214h	PROG1_MPEAR	Programmable range 1, end address
218h	PROG1_MPPA	Programmable range 1, memory page protection attributes
220h	PROG2_MPSAR	Programmable range 2, start address
224h	PROG2_MPEAR	Programmable range 2, end address
228h	PROG2_MPPA	Programmable range 2, memory page protection attributes
230h	PROG3_MPSAR	Programmable range 3, start address
234h	PROG3_MPEAR	Programmable range 3, end address
238h	PROG3_MPPA	Programmable range 3, memory page protection attributes
240h	PROG4_MPSAR	Programmable range 4, start address
244h	PROG4_MPEAR	Programmable range 4, end address
248h	PROG4_MPPA	Programmable range 4, memory page protection attributes
250h	PROG5_MPSAR	Programmable range 5, start address



**Table 7-49 MPU2 Registers (Part 2 of 2)**

Offset	Name	Description
254h	PROG5_MPEAR	Programmable range 5, end address
258h	PROG5_MPPA	Programmable range 5, memory page protection attributes
260h	PROG6_MPSAR	Programmable range 6, start address
264h	PROG6_MPEAR	Programmable range 6, end address
268h	PROG6_MPPA	Programmable range 6, memory page protection attributes
270h	PROG7_MPSAR	Programmable range 7, start address
274h	PROG7_MPEAR	Programmable range 7, end address
278h	PROG7_MPPA	Programmable range 7, memory page protection attributes
280h	PROG8_MPSAR	Programmable range 8, start address
284h	PROG8_MPEAR	Programmable range 8, end address
288h	PROG8_MPPA	Programmable range 8, memory page protection attributes
290h	PROG9_MPSAR	Programmable range 9, start address
294h	PROG9_MPEAR	Programmable range 9, end address
298h	PROG9_MPPA	Programmable range 9, memory page protection attributes
2A0h	PROG10_MPSAR	Programmable range 10, start address
2A4h	PROG10_MPEAR	Programmable range 10, end address
2A8h	PROG10_MPPA	Programmable range 10, memory page protection attributes
2B0h	PROG11_MPSAR	Programmable range 11, start address
2B4h	PROG11_MPEAR	Programmable range 11, end address
2B8h	PROG11_MPPA	Programmable range 11, memory page protection attributes
2C0h	PROG12_MPSAR	Programmable range 12, start address
2C4h	PROG12_MPEAR	Programmable range 12, end address
2C8h	PROG12_MPPA	Programmable range 12, memory page protection attributes
2D0h	PROG13_MPSAR	Programmable range 13, start address
2D4h	PROG13_MPEAR	Programmable range 13, end address
2Dh	PROG13_MPPA	Programmable range 13, memory page protection attributes
2E0h	PROG14_MPSAR	Programmable range 14, start address
2E4h	PROG14_MPEAR	Programmable range 14, end address
2E8h	PROG14_MPPA	Programmable range 14, memory page protection attributes
2F0h	PROG15_MPSAR	Programmable range 15, start address
2F4h	PROG15_MPEAR	Programmable range 15, end address
2F8h	PROG15_MPPA	Programmable range 15, memory page protection attributes
300h	FLTADDRR	Fault address
304h	FLTSTAT	Fault status
308h	FLTCLR	Fault clear
<b>End of Table 7-49</b>		

**Table 7-50 MPU3 Registers (Part 1 of 2)**

Offset	Name	Description
0h	REVID	Revision ID
4h	CONFIG	Configuration
10h	IRAWSTAT	Interrupt raw status/set
14h	IENSTAT	Interrupt enable status/clear

# TMS320C6655/57

## Fixed and Floating-Point Digital Signal Processor

SPRS814A—August 2012

**Table 7-50 MPU3 Registers (Part 2 of 2)**

Offset	Name	Description
18h	IENSET	Interrupt enable
1Ch	IENCLR	Interrupt enable clear
20h	EOI	End of interrupt
200h	PROG0_MPSAR	Programmable range 0, start address
204h	PROG0_MPEAR	Programmable range 0, end address
208h	PROG0_MPPA	Programmable range 0, memory page protection attributes
300h	FLTADDRR	Fault address
304h	FLTSTAT	Fault status
308h	FLTCLR	Fault clear
<b>End of Table 7-50</b>		

**Table 7-51 MPU4 Registers (Part 1 of 2)**

Offset	Name	Description
0h	REVID	Revision ID
4h	CONFIG	Configuration
10h	IRAWSTAT	Interrupt raw status/set
14h	IENSTAT	Interrupt enable status/clear
18h	IENSET	Interrupt enable
1Ch	IENCLR	Interrupt enable clear
20h	EOI	End of interrupt
200h	PROG0_MPSAR	Programmable range 0, start address
204h	PROG0_MPEAR	Programmable range 0, end address
208h	PROG0_MPPA	Programmable range 0, memory page protection attributes
210h	PROG1_MPSAR	Programmable range 1, start address
214h	PROG1_MPEAR	Programmable range 1, end address
218h	PROG1_MPPA	Programmable range 1, memory page protection attributes
220h	PROG2_MPSAR	Programmable range 2, start address
224h	PROG2_MPEAR	Programmable range 2, end address
228h	PROG2_MPPA	Programmable range 2, memory page protection attributes
230h	PROG3_MPSAR	Programmable range 3, start address
234h	PROG3_MPEAR	Programmable range 3, end address
238h	PROG3_MPPA	Programmable range 3, memory page protection attributes
240h	PROG4_MPSAR	Programmable range 4, start address
244h	PROG4_MPEAR	Programmable range 4, end address
248h	PROG4_MPPA	Programmable range 4, memory page protection attributes
250h	PROG5_MPSAR	Programmable range 5, start address
254h	PROG5_MPEAR	Programmable range 5, end address
258h	PROG5_MPPA	Programmable range 5, memory page protection attributes
260h	PROG6_MPSAR	Programmable range 6, start address
264h	PROG6_MPEAR	Programmable range 6, end address
268h	PROG6_MPPA	Programmable range 6, memory page protection attributes
270h	PROG7_MPSAR	Programmable range 7, start address
274h	PROG7_MPEAR	Programmable range 7, end address

**Table 7-51 MPU4 Registers (Part 2 of 2)**

Offset	Name	Description
278h	PROG7_MPPA	Programmable range 7, memory page protection attributes
280h	PROG8_MPSAR	Programmable range 8, start address
284h	PROG8_MPEAR	Programmable range 8, end address
288h	PROG8_MPPA	Programmable range 8, memory page protection attributes
290h	PROG9_MPSAR	Programmable range 9, start address
294h	PROG9_MPEAR	Programmable range 9, end address
298h	PROG9_MPPA	Programmable range 9, memory page protection attributes
2A0h	PROG10_MPSAR	Programmable range 10, start address
2A4h	PROG10_MPEAR	Programmable range 10, end address
2A8h	PROG10_MPPA	Programmable range 10, memory page protection attributes
2B0h	PROG11_MPSAR	Programmable range 11, start address
2B4h	PROG11_MPEAR	Programmable range 11, end address
2B8h	PROG11_MPPA	Programmable range 11, memory page protection attributes
2C0h	PROG12_MPSAR	Programmable range 12, start address
2C4h	PROG12_MPEAR	Programmable range 12, end address
2C8h	PROG12_MPPA	Programmable range 12, memory page protection attributes
2D0h	PROG13_MPSAR	Programmable range 13, start address
2D4h	PROG13_MPEAR	Programmable range 13, end address
2Dh	PROG13_MPPA	Programmable range 13, memory page protection attributes
2E0h	PROG14_MPSAR	Programmable range 14, start address
2E4h	PROG14_MPEAR	Programmable range 14, end address
2E8h	PROG14_MPPA	Programmable range 14, memory page protection attributes
2F0h	PROG15_MPSAR	Programmable range 15, start address
2F4h	PROG15_MPEAR	Programmable range 15, end address
2F8h	PROG15_MPPA	Programmable range 15, memory page protection attributes
300h	FLTADDRR	Fault address
304h	FLTSTAT	Fault status
308h	FLTCLR	Fault clear
<b>End of Table 7-51</b>		

**7.9.1.2 Device-Specific MPU Registers**

**7.9.1.2.1 Configuration Register (CONFIG)**

The Configuration Register (CONFIG) contains the configuration value of the MPU.

**Figure 7-27 Configuration Register (CONFIG)**

		31	24	23	20	19	16	15	12	11	1	0
		ADDR_WIDTH		NUM_FIXED		NUM_PROG		NUM_AIDS		Reserved		ASSUME_ALLOWED
<b>Reset Values</b>	MPU0	R-0		R-0		R-16		R-16		R-0		R-1
	MPU1	R-0		R-0		R-5		R-16		R-0		R-1
	MPU2	R-0		R-0		R-16		R-16		R-0		R-1
	MPU3	R-0		R-0		R-1		R-16		R-0		R-1
	MPU4	R-0		R-0		R-16		R-16		R-0		R-1

Legend: R = Read only; -n = value after reset

**Table 7-52 Configuration Register (CONFIG) Field Descriptions**

Bit	Field	Description
31 – 24	ADDR_WIDTH	Address alignment for range checking 0 = 1KB alignment 6 = 64KB alignment
23 – 20	NUM_FIXED	Number of fixed address ranges
19 – 16	NUM_PROG	Number of programmable address ranges
15 – 12	NUM_AIDS	Number of supported AIDs
11 – 1	Reserved	Reserved. These bits will always reads as 0.
0	ASSUME_ALLOWED	Assume allowed bit. When an address is not covered by any MPU protection range, this bit determines whether the transfer is assumed to be allowed or not. 0 = Assume disallowed 1 = Assume allowed

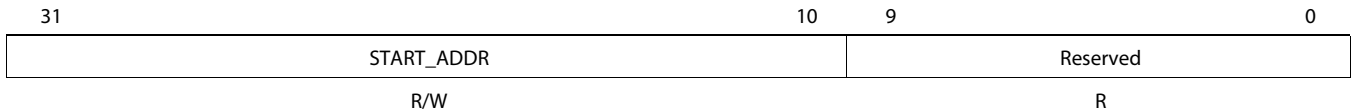
## 7.9.2 MPU Programmable Range Registers

### 7.9.2.1 Programmable Range *n* Start Address Register (PROG<sub>*n*</sub>\_MPSAR)

The Programmable Address Start Register holds the start address for the range. This register is writeable by a supervisor entity only. If NS = 0 (non-secure mode) in the associated MPPA register, then the register is also writeable only by a secure entity.

The start address must be aligned on a page boundary. The size of the page is 1K byte. The size of the page determines the width of the address field in MPSAR and MPEAR.

**Figure 7-28 Programmable Range *n* Start Address Register (PROG<sub>*n*</sub>\_MPSAR)**



Legend: R = Read only; R/W = Read/Write

**Table 7-53 Programmable Range *n* Start Address Register (PROG<sub>*n*</sub>\_MPSAR) Field Descriptions**

Bit	Field	Description
31 – 10	START_ADDR	Start address for range <i>n</i> .
9 – 0	Reserved	Reserved and these bits always read as 0.
<b>End of Table 7-53</b>		

**Table 7-54 Programmable Range *n* Start Address Register (PROG<sub>*n*</sub>\_MPSAR) Reset Values**

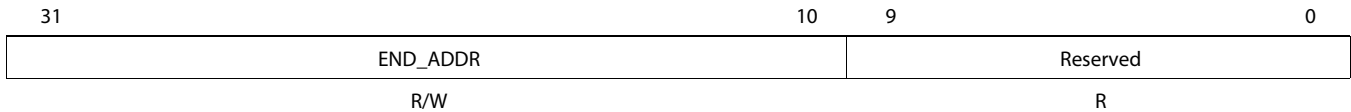
Register	MPU0	MPU1	MPU2	MPU3	MPU4
PROG0_MPSAR	0x01D0_0000	0x3400_0000	0x02A0_0000	0x0264_0000	0x7000_0000
PROG1_MPSAR	0x01F0_0000	0x3402_0000	0x02A2_0000	N/A	0x7100_0000
PROG2_MPSAR	0x0200_0000	0x3406_0000	0x02A4_0000	N/A	0x7200_0000
PROG3_MPSAR	0x01E0_0000	0x3406_8000	0x02A6_0000	N/A	0x7300_0000
PROG4_MPSAR	0x021C_0000	0x340B_8000	0x02A6_8000	N/A	0x7400_0000
PROG5_MPSAR	0x021F_0000	N/A	0x02A6_9000	N/A	0x7500_0000
PROG6_MPSAR	0x0220_0000	N/A	0x02A6_A000	N/A	0x7600_0000
PROG7_MPSAR	0x0231_0000	N/A	0x02A6_B000	N/A	0x7700_0000
PROG8_MPSAR	0x0232_0000	N/A	0x02A6_C000	N/A	0x7800_0000
PROG9_MPSAR	0x0233_0000	N/A	0x02A6_E000	N/A	0x7900_0000
PROG10_MPSAR	0x0235_0000	N/A	0x02A8_0000	N/A	0x7A00_0000
PROG11_MPSAR	0x0240_0000	N/A	0x02A9_0000	N/A	0x7B00_0000
PROG12_MPSAR	0x0250_0000	N/A	0x02AA_0000	N/A	0x7C00_0000
PROG13_MPSAR	0x0253_0000	N/A	0x02AA_8000	N/A	0x7D00_0000
PROG14_MPSAR	0x0260_0000	N/A	0x02AB_0000	N/A	0x7E00_0000
PROG15_MPSAR	0x0262_0000	N/A	0x02AB_8000	N/A	0x7F00_0000
<b>End of Table 7-54</b>					

**7.9.2.2 Programmable Range *n* End Address Register (PROG<sub>*n*</sub>\_MPEAR)**

The Programmable Address End Register holds the end address for the range. This register is writeable by a supervisor entity only. If NS = 0 (non-secure mode) in the associated MPPA register then the register is also writeable only by a secure entity.

The end address must be aligned on a page boundary. The size of the page depends on the MPU number. The page size for MPU1 is 1K byte and for MPU2 it is 64K bytes. The size of the page determines the width of the address field in MPSAR and MPEAR

**Figure 7-29 Programmable Range *n* End Address Register (PROG<sub>*n*</sub>\_MPEAR)**



Legend: R = Read only; R/W = Read/Write

**Table 7-55 Programmable Range *n* End Address Register (PROG<sub>*n*</sub>\_MPEAR) Field Descriptions**

Bit	Field	Description
31 – 10	END_ADDR	End address for range <i>n</i> .
9 – 0	Reserved	Reserved and these bits always read as 3FFh.

**End of Table 7-55**

**Table 7-56 Programmable Range *n* End Address Register (PROG<sub>*n*</sub>\_MPEAR) Reset Values**

Register	MPU0	MPU1	MPU2	MPU3	MPU4
PROG0_MPEAR	0x01D8_007F	0x3401_FFFF	0x02A1_FFFF	0x0264_07FF	0x70FF_FFFF
PROG1_MPEAR	0x01F7_FFFF	0x3405_FFFF	0x02A3_FFFF	N/A	0x71FF_FFFF
PROG2_MPEAR	0x0209_FFFF	0x3406_7FFF	0x02A5_FFFF	N/A	0x72FF_FFFF
PROG3_MPEAR	0x01EB_FFFF	0x340B_7FFF	0x02A6_7FFF	N/A	0x73FF_FFFF
PROG4_MPEAR	0x021E_0C3F	0x340B_FFFF	0x02A6_8FFF	N/A	0x74FF_FFFF
PROG5_MPEAR	0x021F_7FFF	N/A	0x02A6_9FFF	N/A	0x75FF_FFFF
PROG6_MPEAR	0x0227_007F	N/A	0x02A6_AFFF	N/A	0x76FF_FFFF
PROG7_MPEAR	0x0231_03FF	N/A	0x02A6_BFFF	N/A	0x77FF_FFFF
PROG8_MPEAR	0x0232_03FF	N/A	0x02A6_DFFF	N/A	0x78FF_FFFF
PROG9_MPEAR	0x0233_03FF	N/A	0x02A6_FFFF	N/A	0x79FF_FFFF
PROG10_MPEAR	0x0235_0FFF	N/A	0x02A8_FFFF	N/A	0x7AFF_FFFF
PROG11_MPEAR	0x0245_3FFF	N/A	0x02A9_FFFF	N/A	0x7BFF_FFFF
PROG12_MPEAR	0x0252_03FF	N/A	0x02AA_7FFF	N/A	0x7CFF_FFFF
PROG13_MPEAR	0x0255_03FF	N/A	0x02AA_FFFF	N/A	0x7DFF_FFFF
PROG14_MPEAR	0x0260_BFFF	N/A	0x02AB_7FFF	N/A	0x7EFF_FFFF
PROG15_MPEAR	0x0262_07FF	N/A	0x02AB_FFFF	N/A	0x7FFF_FFFF

**End of Table 7-56**

**7.9.2.3 Programmable Range *n* Memory Protection Page Attribute Register (PROG<sub>*n*</sub>\_MPPA)**

The Programmable Address Memory Protection Page Attribute Register holds the permissions for the region. This register is writeable only by a non-debug supervisor entity. If NS = 0 (secure mode) then the register is also only writeable by a non-debug secure entity. The NS bit is writeable only by a non-debug secure entity. For debug accesses the register is writeable only when NS = 1 or EMU = 1.

**Figure 7-30 Programmable Range *n* Memory Protection Page Attribute Register (PROG<sub>*n*</sub>\_MPPA)**

31					26		25	24	23	22	21	20	19	18	17	16	15												
Reserved					AID15	AID14	AID13	AID12	AID11	AID10	AID9	AID8	AID7	AID6	AID5														
R					R/W	R/W	R/W	R/W	R/W	R/W	R/W	R/W	R/W	R/W	R/W	R/W	R/W												
14		13		12		11		10		9		8		7		6		5		4		3		2		1		0	
AID4	AID3	AID2	AID1	AID0	AIDX	Reserved		NS	EMU	SR	SW	SX	UR	UW	UX														
R/W	R/W	R/W	R/W	R/W	R/W	R		R/W	R/W	R/W	R/W	R/W	R/W	R/W	R/W	R/W	R/W	R/W	R/W	R/W	R/W	R/W	R/W	R/W	R/W	R/W	R/W	R/W	

Legend: R = Read only; R/W = Read/Write

**Table 7-57 Programmable Range *n* Memory Protection Page Attribute Register (PROG<sub>*n*</sub>\_MPPA) Field Descriptions (Part 1 of 2)**

Bit	Field	Description
31 – 26	Reserved	Reserved. These bits will always reads as 0.
25	AID15	Controls access from ID = 15 0 = Access denied. 1 = Access granted.
24	AID14	Controls access from ID = 14 0 = Access denied. 1 = Access granted.
23	AID13	Controls access from ID = 13 0 = Access denied. 1 = Access granted.
22	AID12	Controls access from ID = 12 0 = Access denied. 1 = Access granted.
21	AID11	Controls access from ID = 11 0 = Access denied. 1 = Access granted.
20	AID10	Controls access from ID = 10 0 = Access denied. 1 = Access granted.
19	AID9	Controls access from ID = 9 0 = Access denied. 1 = Access granted.
18	AID8	Controls access from ID = 8 0 = Access denied. 1 = Access granted.
17	AID7	Controls access from ID = 7 0 = Access denied. 1 = Access granted.
16	AID6	Controls access from ID = 6 0 = Access denied. 1 = Access granted.

# TMS320C6655/57

## Fixed and Floating-Point Digital Signal Processor

SPRS814A—August 2012



www.ti.com

**Table 7-57 Programmable Range *n* Memory Protection Page Attribute Register (PROG<sub>*n*</sub>\_MPPA) Field Descriptions (Part 2 of 2)**

Bit	Field	Description
15	AID5	Controls access from ID = 5 0 = Access denied. 1 = Access granted.
14	AID4	Controls access from ID = 4 0 = Access denied. 1 = Access granted.
13	AID3	Controls access from ID = 3 0 = Access denied. 1 = Access granted.
12	AID2	Controls access from ID = 2 0 = Access denied. 1 = Access granted.
11	AID1	Controls access from ID = 1 0 = Access denied. 1 = Access granted.
10	AID0	Controls access from ID = 0 0 = Access denied. 1 = Access granted.
9	AIDX	Controls access from ID > 15 0 = Access denied. 1 = Access granted.
8	Reserved	Always reads as 0.
7	NS	Non-secure access permission 0 = Only secure access allowed. 1 = Non-secure access allowed.
6	EMU	Emulation (debug) access permission. This bit is ignored if NS = 1 0 = Debug access not allowed. 1 = Debug access allowed.
5	SR	Supervisor Read permission 0 = Access not allowed. 1 = Access allowed.
4	SW	Supervisor Write permission 0 = Access not allowed. 1 = Access allowed.
3	SX	Supervisor Execute permission 0 = Access not allowed. 1 = Access allowed.
2	UR	User Read permission 0 = Access not allowed. 1 = Access allowed
1	UW	User Write permission 0 = Access not allowed. 1 = Access allowed.
0	UX	User Execute permission 0 = Access not allowed. 1 = Access allowed.
<b>End of Table 7-571</b>		



**Table 7-58 Programmable Range *n* Memory Protection Page Attribute Register (PROG<sub>*n*</sub>\_MPPA) Reset Values**

Register	MPU0	MPU1	MPU2	MPU3	MPU3
PROG0_MPPA	0x03FF_FCB6	0x03FF_FC80	0x03FF_FCA4	0x0003_FCB6	0x03FF_FCB6
PROG1_MPPA	0x03FF_FC80	0x000F_FCB6	0x000F_FCB6	N/A	0x03FF_FCB6
PROG2_MPPA	0x03FF_FCB6	0x03FF_FCB4	0x000F_FCB6	N/A	0x03FF_FCB6
PROG3_MPPA	0x03FF_FCB6	0x03FF_FC80	0x03FF_FCB4	N/A	0x03FF_FCB6
PROG4_MPPA	0x03FF_FCB6	0x03FF_FCB6	0x03FF_FCB4	N/A	0x03FF_FCB6
PROG5_MPPA	0x03FF_FCB6	N/A	0x03FF_FCB4	N/A	0x03FF_FCB6
PROG6_MPPA	0x03FF_FCB6	N/A	0x03FF_FCB4	N/A	0x03FF_FCB6
PROG7_MPPA	0x03FF_FCB4	N/A	0x03FF_FCB4	N/A	0x03FF_FCB6
PROG8_MPPA	0x03FF_FCB4	N/A	0x03FF_FCB4	N/A	0x03FF_FCB6
PROG9_MPPA	0x03FF_FCB4	N/A	0x03FF_FCB4	N/A	0x03FF_FCB6
PROG10_MPPA	0x03FF_FCB4	N/A	0x03FF_FCA4	N/A	0x03FF_FCB6
PROG11_MPPA	0x03FF_FCB6	N/A	0x03FF_FCB4	N/A	0x03FF_FCB6
PROG12_MPPA	0x03FF_FCB4	N/A	0x03FF_FCB4	N/A	0x03FF_FCB6
PROG13_MPPA	0x03FF_FCB6	N/A	0x03FF_FCB4	N/A	0x03FF_FCB6
PROG14_MPPA	0x03FF_FCB4	N/A	0x03FF_FCB4	N/A	0x03FF_FCB6
PROG15_MPPA	0x03FF_FCB4	N/A	0x03FF_FCB6	N/A	0x03FF_FCB6
<b>End of Table 7-58</b>					

## 7.10 DDR3 Memory Controller

The 32-bit DDR3 Memory Controller bus of the TMS320C6655/57 is used to interface to JEDEC-standard-compliant DDR3 SDRAM devices. The DDR3 external bus interfaces only to DDR3 SDRAM devices; it does not share the bus with any other types of peripherals.

### 7.10.1 DDR3 Memory Controller Device-Specific Information

The TMS320C6655/57 includes one 32-bit wide 1.5-V DDR3 SDRAM EMIF interface. The DDR3 interface can operate at 800 Mega transfers per second (MTS), 1033 MTS, and 1333 MTS.

Due to the complicated nature of the interface, a limited number of topologies will be supported to provide a 16-bit or 32-bit interface.

The DDR3 electrical requirements are fully specified in the DDR Jedec Specification JESD79-3C. Standard DDR3 SDRAMs are available in 8- and 16-bit versions, allowing for the following bank topologies to be supported by the interface:

- 36-bit: Three 16-bit SDRAMs (including 4 bits of ECC)
- 36-bit: Five 8-bit SDRAMs (including 4 bits of ECC)
- 32-bit: Two 16-bit SDRAMs
- 32-bit: Four 8-bit SDRAMs
- 16-bit: One 16-bit SDRAM
- 16-bit: Two 8-bit SDRAM

The approach to specifying interface timing for the DDR3 memory bus is different than on other interfaces such as I<sup>2</sup>C or SPI. For these other interfaces, the device timing was specified in terms of data manual specifications and I/O buffer information specification (IBIS) models. For the DDR3 memory bus, the approach is to specify compatible DDR3 devices and provide the printed circuit board (PCB) solution and guidelines directly to the user.

A race condition may exist when certain masters write data to the DDR3 memory controller. For example, if master A passes a software message via a buffer in external memory and does not wait for an indication that the write completes, before signaling to master B that the message is ready, when master B attempts to read the software message, then the master B read may bypass the master A write and, thus, master B may read stale data and, therefore, receive an incorrect message.

Some master peripherals (e.g., EDMA3 transfer controllers with TCCMOD=0) will always wait for the write to complete before signaling an interrupt to the system, thus avoiding this race condition. For masters that do not have a hardware specification of write-read ordering, it may be necessary to specify data ordering via software.

If master A does not wait for indication that a write is complete, it must perform the following workaround:

1. Perform the required write to DDR3 memory space.
2. Perform a dummy write to the DDR3 memory controller module ID and revision register.
3. Perform a dummy read from the DDR3 memory controller module ID and revision register.
4. Indicate to master B that the data is ready to be read after completion of the read in step 3. The completion of the read in step 3 ensures that the previous write was done.

### 7.10.2 DDR3 Memory Controller Electrical Data/Timing

The *KeyStone DSP DDR3 Implementation Guidelines* in “[Related Documentation from Texas Instruments](#)” on page 65 specifies a complete DDR3 interface solution as well as a list of compatible DDR3 devices. The DDR3 electrical requirements are fully specified in the DDR3 Jedec Specification JESD79-3C. TI has performed the simulation and system characterization to ensure all DDR3 interface timings in this solution are met; therefore, no electrical data/timing information is supplied here for this interface.



**Note**—TI supports *only* designs that follow the board design guidelines outlined in the application report.

## 7.11 I<sup>2</sup>C Peripheral

The inter-integrated circuit (I<sup>2</sup>C) module provides an interface between DSP and other devices compliant with Philips Semiconductors Inter-IC bus (I<sup>2</sup>C bus) specification version 2.1 and connected by way of an I<sup>2</sup>C bus. External components attached to this 2-wire serial bus can transmit/receive up to 8-bit data to/from the DSP through the I<sup>2</sup>C module.

### 7.11.1 I<sup>2</sup>C Device-Specific Information

The TMS320C6655/57 device includes an I<sup>2</sup>C peripheral module.



**Note**—When using the I<sup>2</sup>C module, ensure there are external pullup resistors on the SDA and SCL pins.

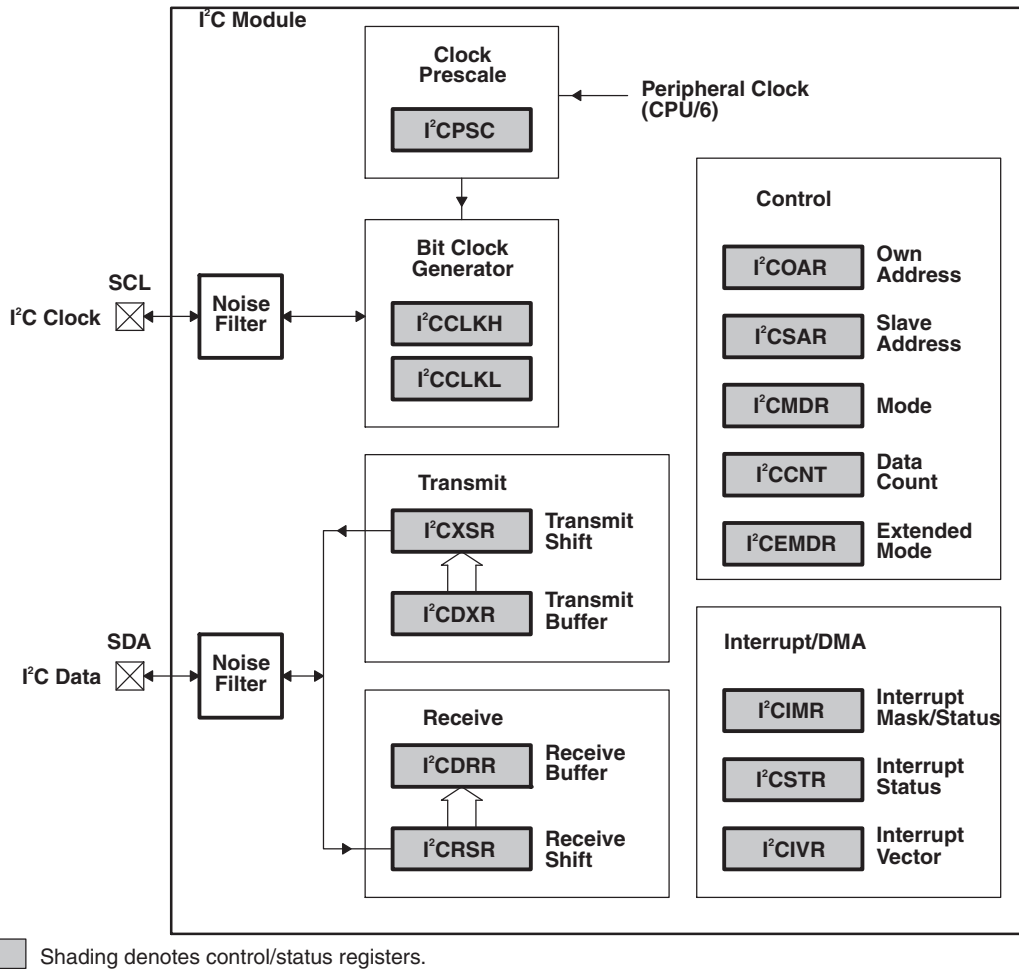
The I<sup>2</sup>C modules on the C6655/57 may be used by the DSP to control local peripheral ICs (DACs, ADCs, etc.) or may be used to communicate with other controllers in a system or to implement a user interface.

The I<sup>2</sup>C port is compatible with Philips I<sup>2</sup>C specification revision 2.1 (January 2000) and supports:

- Fast mode up to 400 Kbps (no fail-safe I/O buffers)
- Noise filter to remove noise 50 ns or less
- 7-bit and 10-bit device addressing modes
- Multi-master (transmit/receive) and slave (transmit/receive) functionality
- Events: DMA, interrupt, or polling
- Slew-rate limited open-drain output buffers

Figure 7-31 shows a block diagram of the I<sup>2</sup>C module.

**Figure 7-31 I<sup>2</sup>C Module Block Diagram**



### 7.11.2 I<sup>2</sup>C Peripheral Register Description(s)

**Table 7-59 I<sup>2</sup>C Registers (Part 1 of 2)**

Hex Address Range	Register	Register Name
0253 0000	ICOAR	I <sup>2</sup> C Own Address Register
0253 0004	ICIMR	I <sup>2</sup> C Interrupt Mask/Status Register
0253 0008	ICSTR	I <sup>2</sup> C Interrupt Status Register
0253 000C	ICCLKL	I <sup>2</sup> C Clock Low-Time Divider Register
0253 0010	ICCLKH	I <sup>2</sup> C Clock High-Time Divider Register
0253 0014	ICCNT	I <sup>2</sup> C Data Count Register
0253 0018	ICDRR	I <sup>2</sup> C Data Receive Register
0253 001C	ICSAR	I <sup>2</sup> C Slave Address Register
0253 0020	ICDXR	I <sup>2</sup> C Data Transmit Register
0253 0024	ICMDR	I <sup>2</sup> C Mode Register
0253 0028	ICIVR	I <sup>2</sup> C Interrupt Vector Register
0253 002C	ICEMDR	I <sup>2</sup> C Extended Mode Register
0253 0030	ICPSC	I <sup>2</sup> C Prescaler Register

**Table 7-59 I<sup>2</sup>C Registers (Part 2 of 2)**

Hex Address Range	Register	Register Name
0253 0034	ICPID1	I <sup>2</sup> C Peripheral Identification Register 1 [Value: 0x0000 0105]
0253 0038	ICPID2	I <sup>2</sup> C Peripheral Identification Register 2 [Value: 0x0000 0005]
0253 003C - 0253 007F	-	Reserved
<b>End of Table 7-59</b>		

### 7.11.3 I<sup>2</sup>C Electrical Data/Timing

#### 7.11.3.1 Inter-Integrated Circuits (I<sup>2</sup>C) Timing

**Table 7-60 I<sup>2</sup>C Timing Requirements<sup>(1)</sup>**

(see Figure 7-32)

No.			Standard Mode		Fast Mode		Units
			Min	Max	Min	Max	
1	t <sub>c(SCL)</sub>	Cycle time, SCL	10		2.5		μs
2	t <sub>su(SCLH-SDAL)</sub>	Setup time, SCL high before SDA low (for a repeated START condition)	4.7		0.6		μs
3	t <sub>h(SDAL-SCLL)</sub>	Hold time, SCL low after SDA low (for a START and a repeated START condition)	4		0.6		μs
4	t <sub>w(SCLL)</sub>	Pulse duration, SCL low	4.7		1.3		μs
5	t <sub>w(SCLH)</sub>	Pulse duration, SCL high	4		0.6		μs
6	t <sub>su(SDAV-SCLH)</sub>	Setup time, SDA valid before SCL high	250		100 <sup>(2)</sup>		ns
7	t <sub>h(SCLL-SDAV)</sub>	Hold time, SDA valid after SCL low (For I <sup>2</sup> C bus devices)	0 <sup>(3)</sup>	3.45	0 <sup>(3)</sup>	0.9 <sup>(4)</sup>	μs
8	t <sub>w(SDAH)</sub>	Pulse duration, SDA high between STOP and START conditions	4.7		1.3		μs
9	t <sub>r(SDA)</sub>	Rise time, SDA		1000	20 + 0.1C <sub>b</sub> <sup>(5)</sup>	300	ns
10	t <sub>r(SCL)</sub>	Rise time, SCL		1000	20 + 0.1C <sub>b</sub> <sup>(5)</sup>	300	ns
11	t <sub>f(SDA)</sub>	Fall time, SDA		300	20 + 0.1C <sub>b</sub> <sup>(5)</sup>	300	ns
12	t <sub>f(SCL)</sub>	Fall time, SCL		300	20 + 0.1C <sub>b</sub> <sup>(5)</sup>	300	ns
13	t <sub>su(SCLH-SDAH)</sub>	Setup time, SCL high before SDA high (for STOP condition)	4		0.6		μs
14	t <sub>w(SP)</sub>	Pulse duration, spike (must be suppressed)			0	50	ns
15	C <sub>b</sub> <sup>(5)</sup>	Capacitive load for each bus line		400		400	pF
<b>End of Table 7-60</b>							

1 The I<sup>2</sup>C pins SDA and SCL do not feature fail-safe I/O buffers. These pins could potentially draw current when the device is powered down

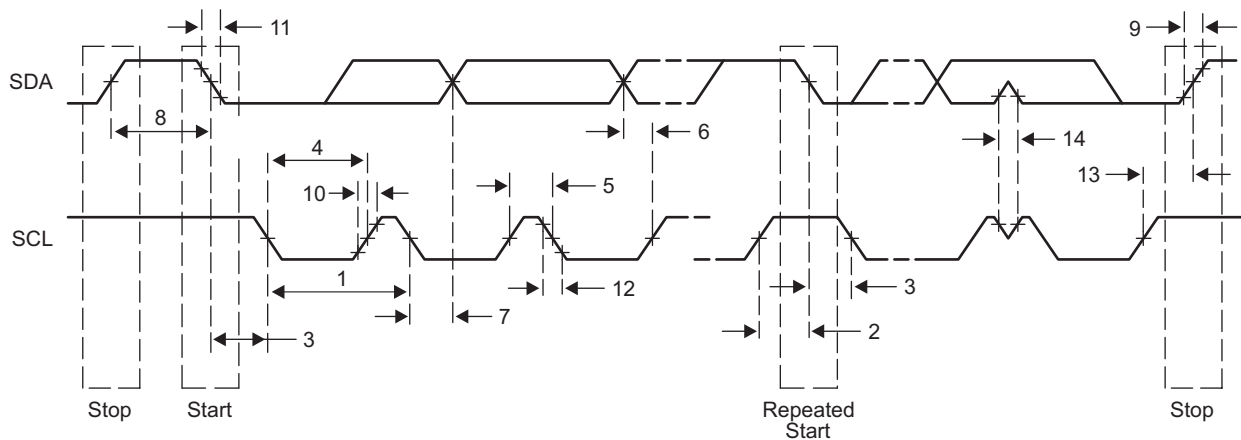
2 A Fast-mode I<sup>2</sup>C-bus™ device can be used in a Standard-mode I<sup>2</sup>C-bus™ system, but the requirement t<sub>su(SDA-SCLH)</sub> ≥ 250 ns must then be met. This will automatically be the case if the device does not stretch the LOW period of the SCL signal. If such a device does stretch the LOW period of the SCL signal, it must output the next data bit to the SDA line t<sub>r</sub> max + t<sub>su(SDA-SCLH)</sub> = 1000 + 250 = 1250 ns (according to the Standard-mode I<sup>2</sup>C-Bus Specification) before the SCL line is released.

3 A device must internally provide a hold time of at least 300 ns for the SDA signal (referred to the V<sub>IHmin</sub> of the SCL signal) to bridge the undefined region of the falling edge of SCL.

4 The maximum t<sub>h(SDA-SCLL)</sub> has only to be met if the device does not stretch the low period [t<sub>w(SCLL)</sub>] of the SCL signal.

5 C<sub>b</sub> = total capacitance of one bus line in pF. If mixed with HS-mode devices, faster fall-times are allowed.

**Figure 7-32 I<sup>2</sup>C Receive Timings**



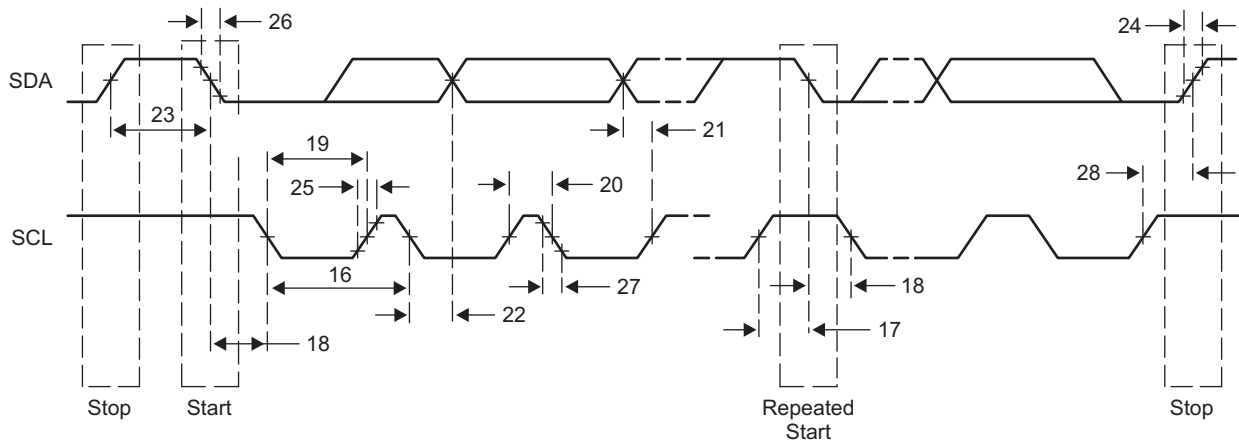
**Table 7-61 I<sup>2</sup>C Switching Characteristics <sup>(1)</sup>**  
 (see Figure 7-33)

No.	Parameter	Standard Mode		Fast Mode		Unit
		Min	Max	Min	Max	
16	$t_{c(SCL)}$ Cycle time, SCL	10		2.5		ms
17	$t_{su(SCLH-SDAL)}$ Setup time, SCL high to SDA low (for a repeated START condition)	4.7		0.6		ms
18	$t_{h(SDAL-SCLL)}$ Hold time, SDA low after SCL low (for a START and a repeated START condition)	4		0.6		ms
19	$t_{w(SCLL)}$ Pulse duration, SCL low	4.7		1.3		ms
20	$t_{w(SCLH)}$ Pulse duration, SCL high	4		0.6		ms
21	$t_{d(SDAV-SDLH)}$ Delay time, SDA valid to SCL high	250		100		ns
22	$t_{v(SDLL-SDAV)}$ Valid time, SDA valid after SCL low (For I <sup>2</sup> C bus devices)	0		0	0.9	ms
23	$t_{w(SDAH)}$ Pulse duration, SDA high between STOP and START conditions	4.7		1.3		ms
24	$t_{r(SDA)}$ Rise time, SDA		1000	$20 + 0.1C_b^{(1)}$	300	ns
25	$t_{r(SCL)}$ Rise time, SCL		1000	$20 + 0.1C_b^{(1)}$	300	ns
26	$t_{f(SDA)}$ Fall time, SDA		300	$20 + 0.1C_b^{(1)}$	300	ns
27	$t_{f(SCL)}$ Fall time, SCL		300	$20 + 0.1C_b^{(1)}$	300	ns
28	$t_{d(SCLH-SDAH)}$ Delay time, SCL high to SDA high (for STOP condition)	4		0.6		ms
29	$C_p$ Capacitance for each I <sup>2</sup> C pin		10		10	pF

**End of Table 7-61**

<sup>1</sup>  $C_b$  = total capacitance of one bus line in pF. If mixed with HS-mode devices, faster fall-times are allowed.

Figure 7-33 I<sup>2</sup>C Transmit Timings



## 7.12 SPI Peripheral

The serial peripheral interconnect (SPI) module provides an interface between the DSP and other SPI-compliant devices. The primary intent of this interface is to allow for connection to an SPI ROM for boot. The SPI module on the C6655/57 is supported only in master mode. Additional chip-level components can also be included, such as temperature sensors or an I/O expander.

### 7.12.1 SPI Electrical Data/Timing

#### 7.12.1.1 SPI Timing

**Table 7-62 SPI Timing Requirements**

See [Figure 7-34](#)

No.			Min	Max	Unit
<b>Master Mode Timing Diagrams — Base Timings for 3 Pin Mode</b>					
7	tsu(SDI-SPC)	Input Setup Time, SPIDIN valid before receive edge of SPICLK. Polarity = 0 Phase = 0	2		ns
7	tsu(SDI-SPC)	Input Setup Time, SPIDIN valid before receive edge of SPICLK. Polarity = 0 Phase = 1	2		ns
7	tsu(SDI-SPC)	Input Setup Time, SPIDIN valid before receive edge of SPICLK. Polarity = 1 Phase = 0	2		ns
7	tsu(SDI-SPC)	Input Setup Time, SPIDIN valid before receive edge of SPICLK. Polarity = 1 Phase = 1	2		ns
8	th(SPC-SDI)	Input Hold Time, SPIDIN valid after receive edge of SPICLK. Polarity = 0 Phase = 0	5		ns
8	th(SPC-SDI)	Input Hold Time, SPIDIN valid after receive edge of SPICLK. Polarity = 0 Phase = 1	5		ns
8	th(SPC-SDI)	Input Hold Time, SPIDIN valid after receive edge of SPICLK. Polarity = 1 Phase = 0	5		ns
8	th(SPC-SDI)	Input Hold Time, SPIDIN valid after receive edge of SPICLK. Polarity = 1 Phase = 1	5		ns
<b>End of Table 7-62</b>					

**Table 7-63 SPI Switching Characteristics (Part 1 of 2)**

(See [Figure 7-34](#) and [Figure 7-35](#))

No.	Parameter		Min	Max	Unit
<b>Master Mode Timing Diagrams — Base Timings for 3 Pin Mode</b>					
1	tc(SPC)	Cycle Time, SPICLK, All Master Modes	$3 * P2^{(1)}$		ns
2	tw(SPCH)	Pulse Width High, SPICLK, All Master Modes	$0.5 * tc - 1$		ns
3	tw(SPCL)	Pulse Width Low, SPICLK, All Master Modes	$0.5 * tc - 1$		ns
4	td(SDO-SPC)	Setup (Delay), initial data bit valid on SPIDOUT to initial edge on SPICLK. Polarity = 0, Phase = 0.	5		ns
4	td(SDO-SPC)	Setup (Delay), initial data bit valid on SPIDOUT to initial edge on SPICLK. Polarity = 0, Phase = 1.	5		ns
4	td(SDO-SPC)	Setup (Delay), initial data bit valid on SPIDOUT to initial edge on SPICLK. Polarity = 1, Phase = 0	5		ns
4	td(SDO-SPC)	Setup (Delay), initial data bit valid on SPIDOUT to initial edge on SPICLK. Polarity = 1, Phase = 1	5		ns
5	td(SPC-SDO)	Setup (Delay), subsequent data bits valid on SPIDOUT to initial edge on SPICLK. Polarity = 0 Phase = 0	2		ns
5	td(SPC-SDO)	Setup (Delay), subsequent data bits valid on SPIDOUT to initial edge on SPICLK. Polarity = 0 Phase = 1	2		ns
5	td(SPC-SDO)	Setup (Delay), subsequent data bits valid on SPIDOUT to initial edge on SPICLK. Polarity = 1 Phase = 0	2		ns
5	td(SPC-SDO)	Setup (Delay), subsequent data bits valid on SPIDOUT to initial edge on SPICLK. Polarity = 1 Phase = 1	2		ns
6	toh(SPC-SDO)	Output hold time, SPIDOUT valid after receive edge of SPICLK except for final bit. Polarity = 0 Phase = 0	$0.5 * tc - 2$		ns
6	toh(SPC-SDO)	Output hold time, SPIDOUT valid after receive edge of SPICLK except for final bit. Polarity = 0 Phase = 1	$0.5 * tc - 2$		ns

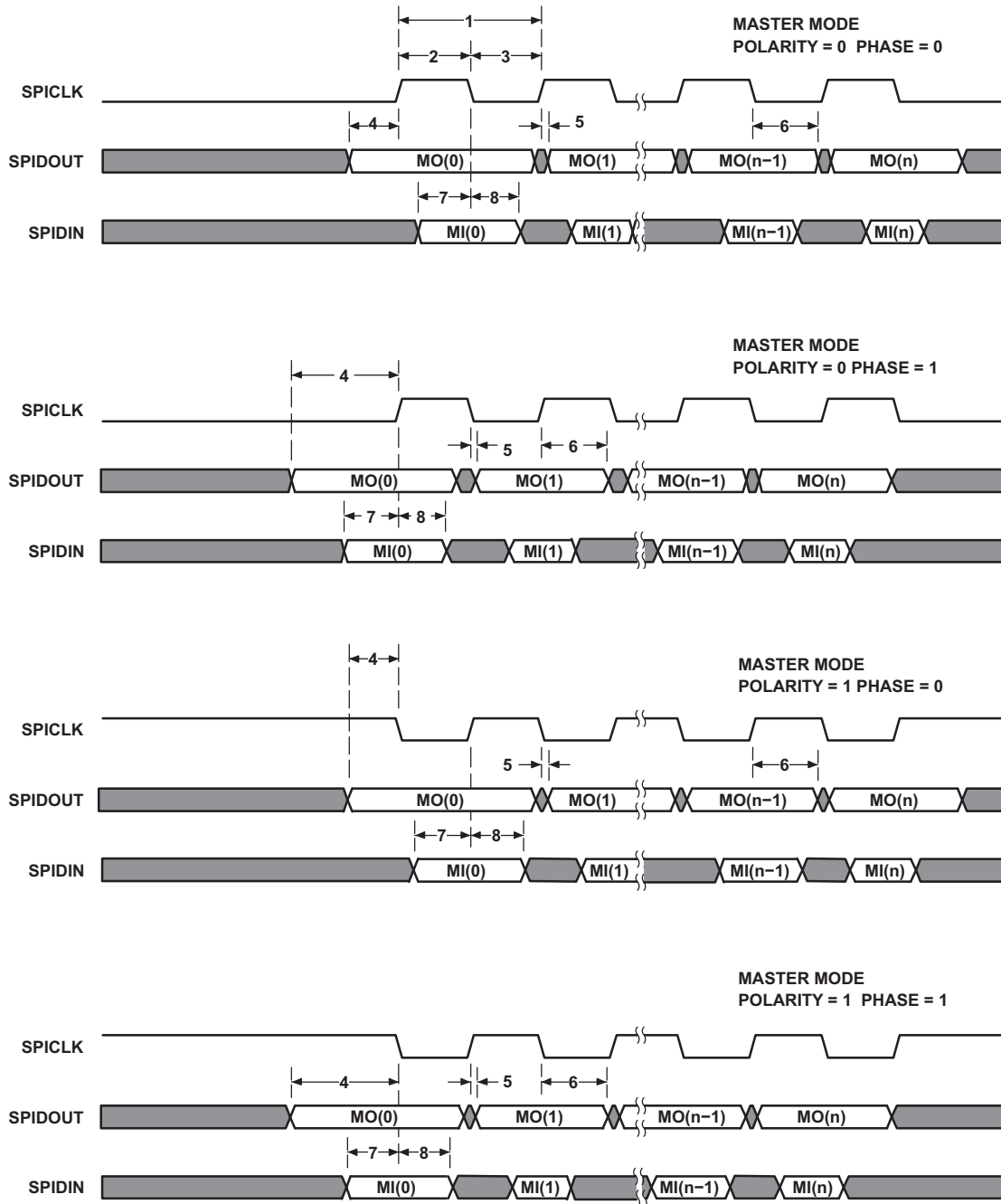


**Table 7-63 SPI Switching Characteristics (Part 2 of 2)**  
 (See [Figure 7-34](#) and [Figure 7-35](#))

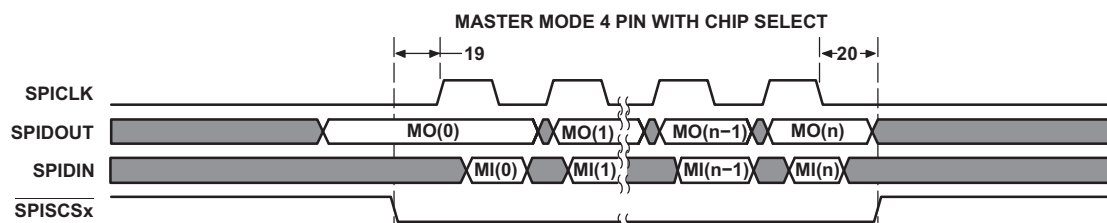
No.	Parameter		Min	Max	Unit
6	toh(SPC-SDO)	Output hold time, SPIDOUT valid after receive edge of SPICLK except for final bit. Polarity = 1 Phase = 0	$0.5 \cdot t_c - 2$		ns
6	toh(SPC-SDO)	Output hold time, SPIDOUT valid after receive edge of SPICLK except for final bit. Polarity = 1 Phase = 1	$0.5 \cdot t_c - 2$		ns
<b>Additional SPI Master Timings — 4 Pin Mode with Chip Select Option</b>					
19	td(SCS-SPC)	Delay from $\overline{\text{SPISCS}}[n]$ active to first SPICLK. Polarity = 0 Phase = 0	$2 \cdot P2 - 5$	$2 \cdot P2 + 5$	ns
19	td(SCS-SPC)	Delay from $\overline{\text{SPISCS}}[n]$ active to first SPICLK. Polarity = 0 Phase = 1	$0.5 \cdot t_c + (2 \cdot P2) - 5$	$0.5 \cdot t_c + (2 \cdot P2) + 5$	ns
19	td(SCS-SPC)	Delay from $\overline{\text{SPISCS}}[n]$ active to first SPICLK. Polarity = 1 Phase = 0	$2 \cdot P2 - 5$	$2 \cdot P2 + 5$	ns
19	td(SCS-SPC)	Delay from $\overline{\text{SPISCS}}[n]$ active to first SPICLK. Polarity = 1 Phase = 1	$0.5 \cdot t_c + (2 \cdot P2) - 5$	$0.5 \cdot t_c + (2 \cdot P2) + 5$	ns
20	td(SPC-SCS)	Delay from final SPICLK edge to master deasserting $\overline{\text{SPISCS}}[n]$ . Polarity = 0 Phase = 0	$1 \cdot P2 - 5$	$1 \cdot P2 + 5$	ns
20	td(SPC-SCS)	Delay from final SPICLK edge to master deasserting $\overline{\text{SPISCS}}[n]$ . Polarity = 0 Phase = 1	$0.5 \cdot t_c + (1 \cdot P2) - 5$	$0.5 \cdot t_c + (1 \cdot P2) + 5$	ns
20	td(SPC-SCS)	Delay from final SPICLK edge to master deasserting $\overline{\text{SPISCS}}[n]$ . Polarity = 1 Phase = 0	$1 \cdot P2 - 5$	$1 \cdot P2 + 5$	ns
20	td(SPC-SCS)	Delay from final SPICLK edge to master deasserting $\overline{\text{SPISCS}}[n]$ . Polarity = 1 Phase = 1	$0.5 \cdot t_c + (1 \cdot P2) - 5$	$0.5 \cdot t_c + (1 \cdot P2) + 5$	ns
	tw(SCSH)	Minimum inactive time on $\overline{\text{SPISCS}}[n]$ pin between two transfers when $\overline{\text{SPISCS}}[n]$ is not held using the CSHOLD feature.	$2 \cdot P2 - 5$		ns
<b>End of Table 7-63</b>					

1 P2 = 1/SYSCLK7

**Figure 7-34 SPI Master Mode Timing Diagrams — Base Timings for 3 Pin Mode**



**Figure 7-35 SPI Additional Timings for 4 Pin Master Mode with Chip Select Option**



## 7.13 HyperLink Peripheral

The devices include the HyperLink bus for companion chip/die interfaces. This is a four-lane SerDes interface designed to operate at up to 10 Gbaud per lane. The supported data rates include 1.25 Gbaud, 3.125 Gbaud, 6.25 Gbaud, and 10 Gbaud. The interface is used to connect with external accelerators. The HyperLink links must be connected with DC coupling.

The interface includes the Serial Station Management Interfaces used to send power management and flow messages between devices. This consists of four LVCMOS inputs and four LVCMOS outputs configured as two 2-wire output buses and two 2-wire input buses. Each 2-wire bus includes a data signal and a clock signal.

### 7.13.1 HyperLink Device-Specific Interrupt Event

The HyperLink has 64 input events. Events 0 to 31 come from the chip-level interrupt controller and events 32 to 63 are from queue-pending signals from the Queue Manager to monitor some of the transmission queue status.

**Table 7-64 HyperLink Events (Part 1 of 2)**

Event Number	Event	Event Description
0	CIC2_OUT8	Interrupt Controller output
1	CIC2_OUT9	Interrupt Controller output
2	CIC2_OUT10	Interrupt Controller output
3	CIC2_OUT11	Interrupt Controller output
4	CIC2_OUT12	Interrupt Controller output
5	CIC2_OUT13	Interrupt Controller output
6	CIC2_OUT14	Interrupt Controller output
7	CIC2_OUT15	Interrupt Controller output
8	CIC2_OUT16	Interrupt Controller output
9	CIC2_OUT17	Interrupt Controller output
10	CIC2_OUT18	Interrupt Controller output
11	CIC2_OUT19	Interrupt Controller output
12	CIC2_OUT20	Interrupt Controller output
13	CIC2_OUT21	Interrupt Controller output
14	CIC2_OUT22	Interrupt Controller output
15	CIC2_OUT23	Interrupt Controller output
16	CIC2_OUT24	Interrupt Controller output
17	CIC2_OUT25	Interrupt Controller output
18	CIC2_OUT26	Interrupt Controller output
19	CIC2_OUT27	Interrupt Controller output
20	CIC2_OUT28	Interrupt Controller output
21	CIC2_OUT29	Interrupt Controller output
22	CIC2_OUT30	Interrupt Controller output
23	CIC2_OUT31	Interrupt Controller output
24	CIC2_OUT32	Interrupt Controller output
25	CIC2_OUT33	Interrupt Controller output
26	CIC2_OUT34	Interrupt Controller output
27	CIC2_OUT35	Interrupt Controller output
28	CIC2_OUT36	Interrupt Controller output
29	CIC2_OUT37	Interrupt Controller output
30	CIC2_OUT38	Interrupt Controller output

# TMS320C6655/57

## Fixed and Floating-Point Digital Signal Processor

SPRS814A—August 2012



www.ti.com

**Table 7-64 HyperLink Events (Part 2 of 2)**

Event Number	Event	Event Description
31	CIC2_OUT39	Interrupt Controller output
32	QM_INT_PEND_864	Queue manager pend event
33	QM_INT_PEND_865	Queue manager pend event
34	QM_INT_PEND_866	Queue manager pend event
35	QM_INT_PEND_867	Queue manager pend event
36	QM_INT_PEND_868	Queue manager pend event
37	QM_INT_PEND_869	Queue manager pend event
38	QM_INT_PEND_870	Queue manager pend event
39	QM_INT_PEND_871	Queue manager pend event
40	QM_INT_PEND_872	Queue manager pend event
41	QM_INT_PEND_873	Queue manager pend event
42	QM_INT_PEND_874	Queue manager pend event
43	QM_INT_PEND_875	Queue manager pend event
44	QM_INT_PEND_876	Queue manager pend event
45	QM_INT_PEND_877	Queue manager pend event
46	QM_INT_PEND_878	Queue manager pend event
47	QM_INT_PEND_879	Queue manager pend event
48	QM_INT_PEND_880	Queue manager pend event
49	QM_INT_PEND_881	Queue manager pend event
50	QM_INT_PEND_882	Queue manager pend event
51	QM_INT_PEND_883	Queue manager pend event
52	QM_INT_PEND_884	Queue manager pend event
53	QM_INT_PEND_885	Queue manager pend event
54	QM_INT_PEND_886	Queue manager pend event
55	QM_INT_PEND_887	Queue manager pend event
56	QM_INT_PEND_888	Queue manager pend event
57	QM_INT_PEND_889	Queue manager pend event
58	QM_INT_PEND_890	Queue manager pend event
59	QM_INT_PEND_891	Queue manager pend event
60	QM_INT_PEND_892	Queue manager pend event
61	QM_INT_PEND_893	Queue manager pend event
62	QM_INT_PEND_894	Queue manager pend event
63	QM_INT_PEND_895	Queue manager pend event
<b>End of Table 7-64</b>		

### 7.13.2 HyperLink Electrical Data/Timing

The tables and figure below describe the timing requirements and switching characteristics of HyperLink peripheral.

**Table 7-65 HyperLink Peripheral Timing Requirements**

 See [Figure 7-36](#), [Figure 7-37](#), [Figure 7-38](#)

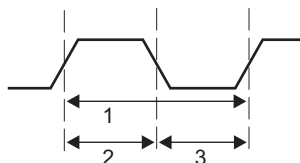
No.			Min	Max	Unit
<b>FL Interface</b>					
1	tc(MCMTXFLCLK)	Clock period - MCMTXFLCLK (C1)	6.4		ns
2	tw(MCMTXFLCLKH)	High pulse width - MCMTXFLCLK	0.4*C1	0.6*C1	ns
3	tw(MCMTXFLCLKL)	Low pulse width - MCMTXFLCLK	0.4*C1	0.6*C1	ns
6	tsu(MCMTXFLDAT-MCMTXFLCLKH)	Setup time - MCMTXFLDAT valid before MCMTXFLCLK high	1		ns
7	th(MCMTXFLCLKH-MCMTXFLDAT)	Hold time - MCMTXFLDAT valid after MCMTXFLCLK high	1		ns
6	tsu(MCMTXFLDAT-MCMTXFLCLKL)	Setup time - MCMTXFLDAT valid before MCMTXFLCLK low	1		ns
7	th(MCMTXFLCLKL-MCMTXFLDAT)	Hold time - MCMTXFLDAT valid after MCMTXFLCLK low	1		ns
<b>PM Interface</b>					
1	tc(MCMRXPCLK)	Clock period - MCMRXPCLK (C3)	6.4		ns
2	tw(MCMRXPCLK)	High pulse width - MCMRXPCLK	0.4*C3	0.6*C3	ns
3	tw(MCMRXPCLK)	Low pulse width - MCMRXPCLK	0.4*C3	0.6*C3	ns
6	tsu(MCMRXPMDAT-MCMRXPCLKH)	Setup time - MCMRXPMDAT valid before MCMRXPCLK high	1		ns
7	th(MCMRXPCLKH-MCMRXPMDAT)	Hold time - MCMRXPMDAT valid after MCMRXPCLK high	1		ns
6	tsu(MCMRXPMDAT-MCMRXPCLKL)	Setup time - MCMRXPMDAT valid before MCMRXPCLK low	1		ns
7	th(MCMRXPCLKL-MCMRXPMDAT)	Hold time - MCMRXPMDAT valid after MCMRXPCLK low	1		ns
<b>End of Table 7-65</b>					

**Table 7-66 HyperLink Peripheral Switching Characteristics**

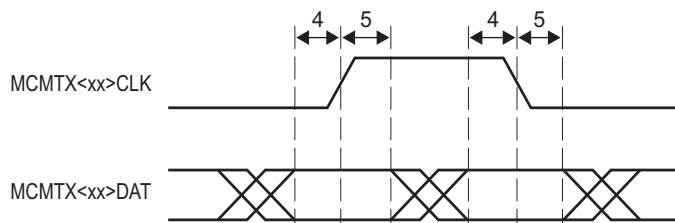
 See [Figure 7-36](#), [Figure 7-37](#), [Figure 7-38](#)

No.	Parameter		Min	Max	Unit
<b>FL Interface</b>					
1	tc(MCMRXFLCLK)	Clock period - MCMRXFLCLK (C2)	6.4		ns
2	tw(MCMRXFLCLKH)	High pulse width - MCMRXFLCLK	0.4*C2	0.6*C2	ns
3	tw(MCMRXFLCLKL)	Low pulse width - MCMRXFLCLK	0.4*C2	0.6*C2	ns
4	tsu(MCMRXFLDAT-MCMRXFLCLKH)	Setup time - MCMRXFLDAT valid before MCMRXFLCLK high	0.25*C2-0.4		ns
5	toh(MCMRXFLCLKH-MCMRXFLDAT)	Hold time - MCMRXFLDAT valid after MCMRXFLCLK high	0.25*C2-0.4		ns
4	tsu(MCMRXFLDAT-MCMRXFLCLKL)	Setup time - MCMRXFLDAT valid before MCMRXFLCLK low	0.25*C2-0.4		ns
5	toh(MCMRXFLCLKL-MCMRXFLDAT)	Hold time - MCMRXFLDAT valid after MCMRXFLCLK low	0.25*C2-0.4		ns
<b>PM Interface</b>					
1	tc(MCMTXPMCLK)	Clock period - MCMTXPMCLK (C4)	6.4		ns
2	tw(MCMTXPMCLK)	High pulse width - MCMTXPMCLK	0.4*C4	0.6*C4	ns
3	tw(MCMTXPMCLK)	Low pulse width - MCMTXPMCLK	0.4*C4	0.6*C4	ns
4	tsu(MCMTXPMDAT-MCMTXPMCLKH)	Setup time - MCMTXPMDAT valid before MCMTXPMCLK high	0.25*C4-0.4		ns
5	toh(MCMTXPMCLKH-MCMTXPMDAT)	Hold time - MCMTXPMDAT valid after MCMTXPMCLK high	0.25*C4-0.4		ns
4	tsu(MCMTXPMDAT-MCMTXPMCLKL)	Setup time - MCMTXPMDAT valid before MCMTXPMCLK low	0.25*C4-0.4		ns
5	toh(MCMTXPMCLKL-MCMTXPMDAT)	Hold time - MCMTXPMDAT valid after MCMTXPMCLK low	0.25*C4-0.4		ns
<b>End of Table 7-66</b>					

**Figure 7-36 HyperLink Station Management Clock Timing**

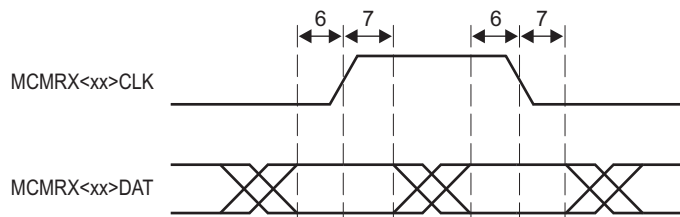


**Figure 7-37 HyperLink Station Management Transmit Timing**



<xx> represents the interface that is being used: PM or FL

**Figure 7-38 HyperLink Station Management Receive Timing**



<xx> represents the interface that is being used: PM or FL

## 7.14 UART Peripheral

The universal asynchronous receiver/transmitter (UART) module provides an interface between the DSP and a UART terminal interface or other UART-based peripheral. The UART is based on the industry standard TL16C550 asynchronous communications element, which, in turn, is a functional upgrade of the TL16C450. Functionally similar to the TL16C450 on power up (single character or TL16C450 mode), the UART can be placed in an alternate FIFO (TL16C550) mode. This relieves the DSP of excessive software overhead by buffering received and transmitted characters. The receiver and transmitter FIFOs store up to 16 bytes including three additional bits of error status per byte for the receiver FIFO.

The UART performs serial-to-parallel conversions on data received from a peripheral device and parallel-to-serial conversion on data received from the DSP. The DSP can read the UART status at any time. The UART includes control capability and a processor interrupt system that can be tailored to minimize software management of the communications link. For more information on UART, see the *Universal Asynchronous Receiver/Transmitter (UART) for KeyStone Devices User Guide* in “[Related Documentation from Texas Instruments](#)” on page 65.

**Table 7-67** UART Timing Requirements  
(see [Figure 7-39](#) and [Figure 7-40](#))

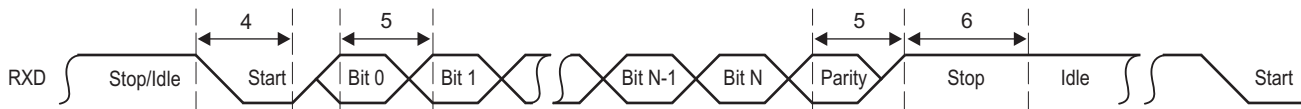
No.			Min	Max	Unit
<b>Receive Timing</b>					
4	tw(RXSTART)	Pulse width, receive start bit	0.96U <sup>(1)</sup>	1.05U	ns
5	tw(RXH)	Pulse width, receive data/parity bit high	0.96U	1.05U	ns
5	tw(RXL)	Pulse width, receive data/parity bit low	0.96U	1.05U	ns
6	tw(RXSTOP1)	Pulse width, receive stop bit 1	0.96U	1.05U	ns
6	tw(RXSTOP15)	Pulse width, receive stop bit 1.5	1.5*(0.96U)	1.5*(1.05U)	ns
6	tw(RXSTOP2)	Pulse width, receive stop bit 2	2*(0.96U)	2*(1.05U)	ns
<b>Autoflow Timing Requirements</b>					
8	td(CTSL-TX)	Delay time, CTS asserted to START bit transmit	P <sup>(2)</sup>	5P	ns

End of Table 7-67

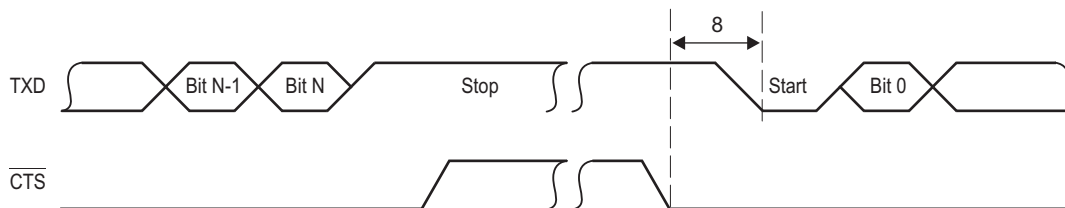
1 U = UART baud time = 1/programmed baud rate

2 P = 1/SYSCLK7

**Figure 7-39** UART Receive Timing Waveform



**Figure 7-40** UART CTS (Clear-to-Send Input) — Autoflow Timing Waveform



**Table 7-68** UART Switching Characteristics  
 (See Figure 7-41 and Figure 7-42)

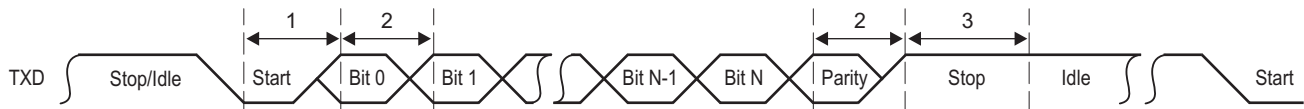
No.	Parameter		Min	Max	Unit
<b>Transmit Timing</b>					
1	tw(TXSTART)	Pulse width, transmit start bit	$U^{(1)} - 2$	$U + 2$	ns
2	tw(TXH)	Pulse width, transmit data/parity bit high	$U - 2$	$U + 2$	ns
2	tw(TXL)	Pulse width, transmit data/parity bit low	$U - 2$	$U + 2$	ns
3	tw(TXSTOP1)	Pulse width, transmit stop bit 1	$U - 2$	$U + 2$	ns
3	tw(TXSTOP15)	Pulse width, transmit stop bit 1.5	$1.5 * (U - 2)$	$1.5 * (U + 2)$	ns
3	tw(TXSTOP2)	Pulse width, transmit stop bit 2	$2 * (U - 2)$	$2 * (U + 2)$	ns
<b>Autoflow Timing Requirements</b>					
7	td(RX-RTSH)	Delay time, STOP bit received to RTS deasserted	$p^{(2)}$	5P	ns

**End of Table 7-68**

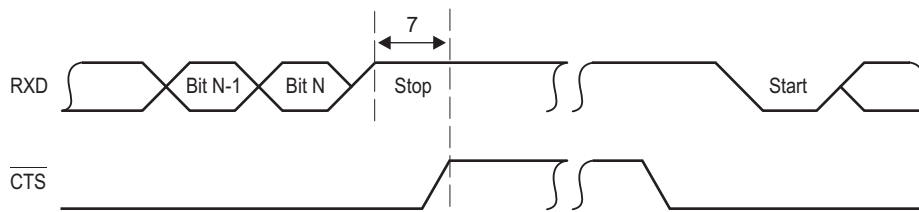
1 U = UART baud time = 1/programmed baud rate

2 P = 1/SYSCLK7

**Figure 7-41** UART Transmit Timing Waveform



**Figure 7-42** UART RTS (Request-to-Send Output) — Autoflow Timing Waveform



## 7.15 PCIe Peripheral

The two-lane PCI express (PCIe) module on the device provides an interface between the DSP and other PCIe-compliant devices. The PCI Express module provides low-pin-count, high-reliability, and high-speed data transfer at rates of 5.0 GBaud per lane on the serial links. For more information, see the *Peripheral Component Interconnect Express (PCIe) for KeyStone Devices User Guide* in “[Related Documentation from Texas Instruments](#)” on page 65. The PCIe electrical requirements are fully specified in the PCI Express Base Specification Revision 2.0 of PCI-SIG. TI has performed the simulation and system characterization to ensure all PCIe interface timings in this solution are met; therefore, no electrical data/timing information is supplied here for this interface.



## 7.16 EMIF16 Peripheral

The EMIF16 module provides an interface between DSP and external memories such as NAND and NOR flash. For more information, see the *External Memory Interface (EMIF16) for KeyStone Devices User Guide* in “[Related Documentation from Texas Instruments](#)” on page 65.

### 7.16.1 EMIF16 Electrical Data/Timing

**Table 7-69 EMIF16 Asynchronous Memory Timing Requirements<sup>(1)</sup> (Part 1 of 2)**  
 (see [Figure 7-43](#) and [Figure 7-44](#))

No.			Min	Max	Unit
<b>General Timing</b>					
2	$t_w(\text{WAIT})$	Pulse duration, WAIT assertion and deassertion minimum time		2E	ns
28	$t_d(\text{WAIT-WEH})$	Setup time, WAIT asserted before WE high		4E + 3	ns
14	$t_d(\text{WAIT-OEH})$	Setup time, WAIT asserted before OE high		4E + 3	ns
<b>Read Timing</b>					
3	$t_c(\text{CEL})$	EMIF read cycle time when ew = 0, meaning not in extended wait mode	(RS+RST+RH+3) *E-3	(RS+RST+RH+3) *E+3	ns
3	$t_c(\text{CEL})$	EMIF read cycle time when ew = 1, meaning extended wait mode enabled	(RS+RST+RH+3) *E-3	(RS+RST+RH+3) *E+3	ns
4	$t_{osu}(\text{CEL-OEL})$	Output setup time from CE low to OE low. SS = 0, not in select strobe mode	(RS+1) * E - 3	(RS+1) * E + 3	ns
5	$t_{oh}(\text{OEH-CEH})$	Output hold time from OE high to CE high. SS = 0, not in select strobe mode	(RH+1) * E - 3	(RH+1) * E + 3	ns
4	$t_{osu}(\text{CEL-OEL})$	Output setup time from CE low to OE low in select strobe mode, SS = 1	(RS+1) * E - 3	(RS+1) * E + 3	ns
5	$t_{oh}(\text{OEH-CEH})$	Output hold time from OE high to CE high in select strobe mode, SS = 1	(RH+1) * E - 3	(RH+1) * E + 3	ns
6	$t_{osu}(\text{BAV-OEL})$	Output setup time from BA valid to OE low	(RS+1) * E - 3	(RS+1) * E + 3	ns
7	$t_{oh}(\text{OEH-BAIV})$	Output hold time from OE high to BA invalid	(RH+1) * E - 3	(RH+1) * E + 3	ns
8	$t_{osu}(\text{AV-OEL})$	Output setup time from A valid to OE low	(RS+1) * E - 3	(RS+1) * E + 3	ns
9	$t_{oh}(\text{OEH-AIV})$	Output hold time from OE high to A invalid	(RH+1) * E - 3	(RH+1) * E + 3	ns
10	$t_w(\text{OEL})$	OE active time low, when ew = 0. Extended wait mode is disabled.	(RST+1) * E - 3	(RST+1) * E + 3	ns
10	$t_w(\text{OEL})$	OE active time low, when ew = 1. Extended wait mode is enabled.	(RST+1) * E - 3	(RST+1) * E + 3	ns
11	$t_d(\text{WAITH-OEH})$	Delay time from WAIT deasserted to OE# high		4E + 3	ns
12	$t_{su}(\text{D-OEH})$	Input setup time from D valid to OE high	3		ns
13	$t_h(\text{OEH-D})$	Input hold time from OE high to D invalid	0.5		ns
<b>Write Timing</b>					
15	$t_c(\text{CEL})$	EMIF write cycle time when ew = 0, meaning not in extended wait mode	(WS+WST+WH+ TA+4)*E-3	(WS+WST+WH+ TA+4)*E+3	ns
15	$t_c(\text{CEL})$	EMIF write cycle time when ew = 1, meaning extended wait mode is enabled	(WS+WST+WH+ TA+4)*E-3	(WS+WST+WH+ TA+4)*E+3	ns
16	$t_{osu}(\text{CEL-WEL})$	Output setup time from CE low to WE low. SS = 0, not in select strobe mode	(WS+1) * E - 3		ns
17	$t_{oh}(\text{WEH-CEH})$	Output hold time from WE high to CE high. SS = 0, not in select strobe mode	(WH+1) * E - 3		ns
16	$t_{osu}(\text{CEL-WEL})$	Output setup time from CE low to WE low in select strobe mode, SS = 1	(WS+1) * E - 3		ns
17	$t_{oh}(\text{WEH-CEH})$	Output hold time from WE high to CE high in select strobe mode, SS = 1	(WH+1) * E - 3		ns
18	$t_{osu}(\text{RNW-WEL})$	Output setup time from RNW valid to WE low	(WS+1) * E - 3		ns
19	$t_{oh}(\text{WEH-RNW})$	Output hold time from WE high to RNW invalid	(WH+1) * E - 3		ns
20	$t_{osu}(\text{BAV-WEL})$	Output setup time from BA valid to WE low	(WS+1) * E - 3		ns
21	$t_{oh}(\text{WEH-BAIV})$	Output hold time from WE high to BA invalid	(WH+1) * E - 3		ns
22	$t_{osu}(\text{AV-WEL})$	Output setup time from A valid to WE low	(WS+1) * E - 3		ns
23	$t_{oh}(\text{WEH-AIV})$	Output hold time from WE high to A invalid	(WH+1) * E - 3		ns
24	$t_w(\text{WEL})$	WE active time low, when ew = 0. Extended wait mode is disabled.	(WST+1) * E - 3		ns

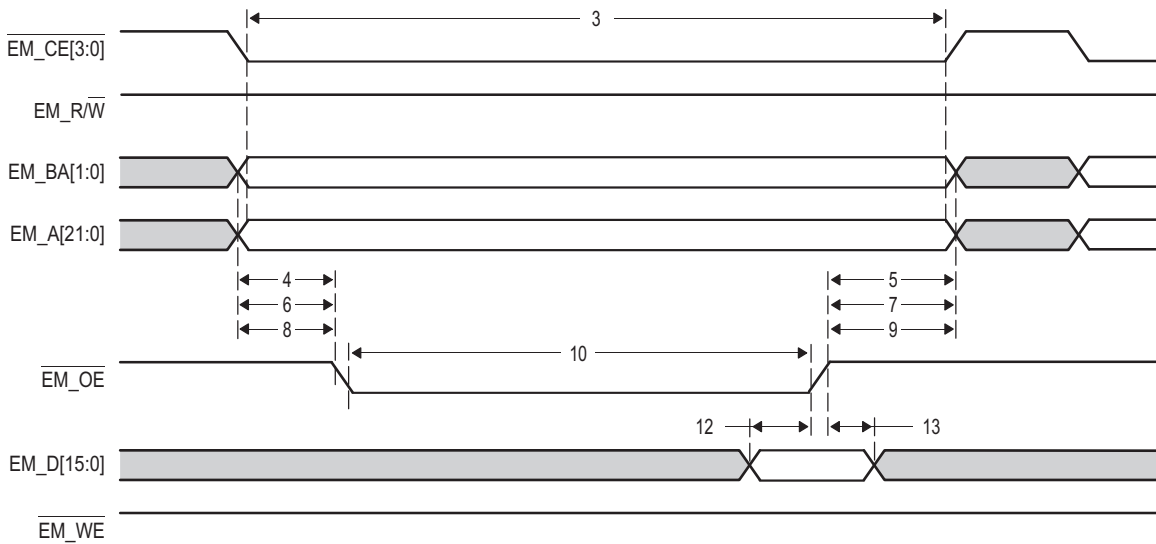
**Table 7-69 EMIF16 Asynchronous Memory Timing Requirements<sup>(1)</sup> (Part 2 of 2)**  
 (see Figure 7-43 and Figure 7-44)

No.		Min	Max	Unit
24	$t_w(\text{WEL})$ WE active time low, when ew = 1. Extended wait mode is enabled.	$(\text{WST}+1) * E - 3$		ns
26	$t_{\text{osu}}(\text{DV-WEL})$ Output setup time from D valid to WE low	$(\text{WS}+1) * E - 3$		ns
27	$t_{\text{oh}}(\text{WEH-DIV})$ Output hold time from WE high to D invalid	$(\text{WH}+1) * E - 3$		ns
25	$t_d(\text{WAITH-WEH})$ Delay time from WAIT deasserted to WE# high		4E + 3	ns

**End of Table 7-69**

<sup>1</sup> E = 1/SYSCLK7

**Figure 7-43 EMIF16 Asynchronous Memory Read Timing Diagram**



**Figure 7-44 EMIF16 Asynchronous Memory Write Timing Diagram**

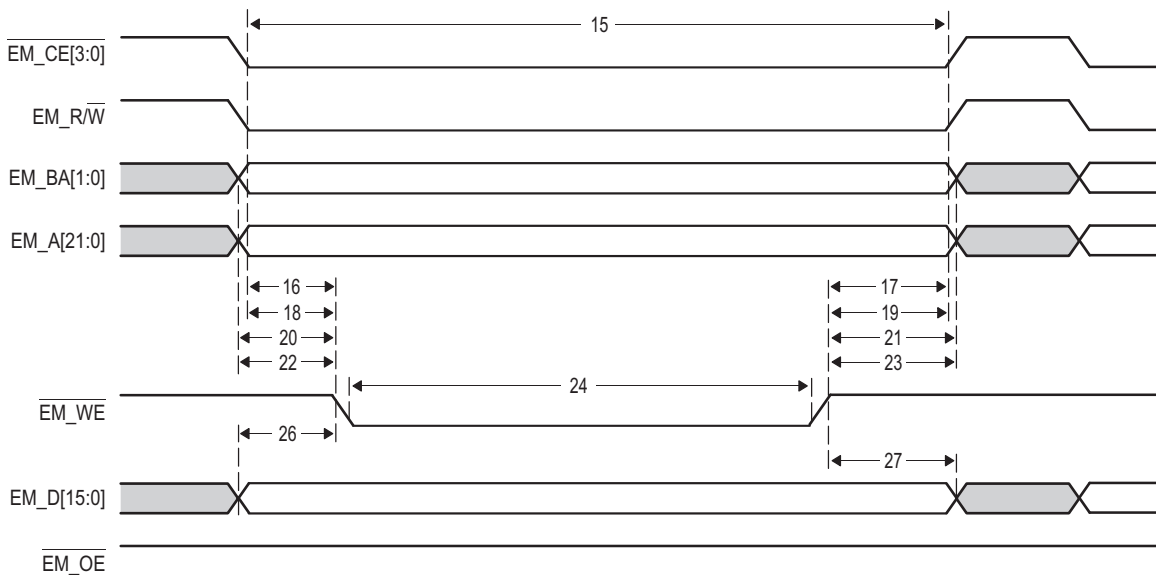


Figure 7-45 EMIF16 EM\_WAIT Read Timing Diagram

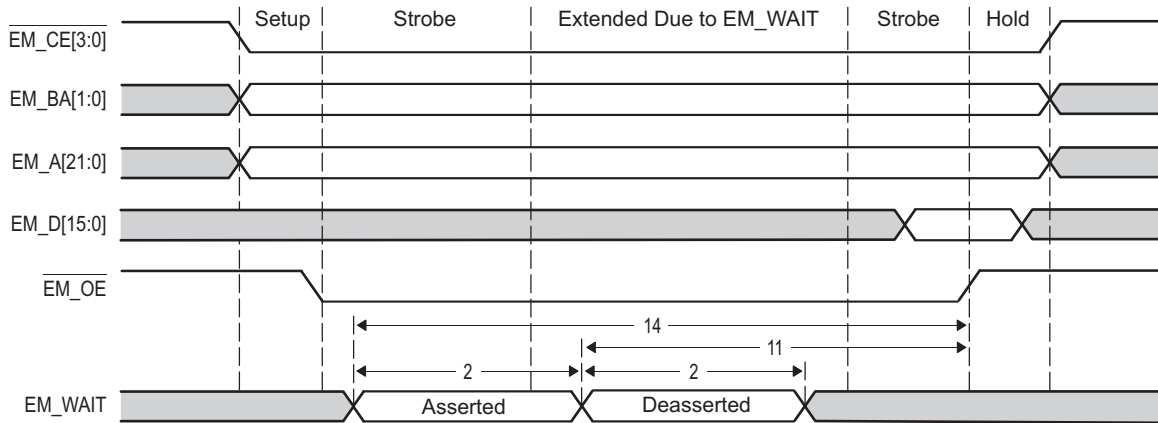
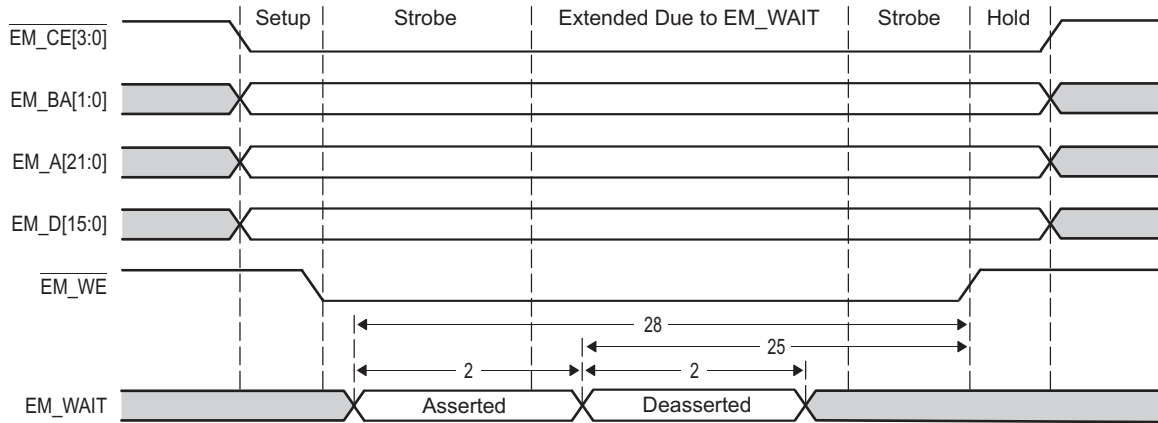


Figure 7-46 EMIF16 EM\_WAIT Write Timing Diagram



## 7.17 Ethernet Media Access Controller (EMAC)

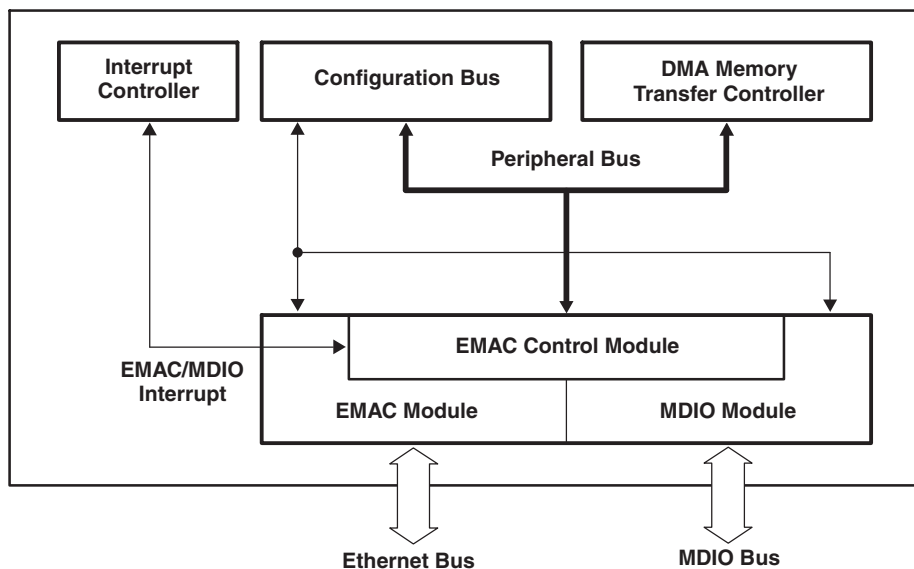
The Ethernet media access controller (EMAC) module provides an efficient interface between the TMS320C6655/57 DSP core processor and the networked community. The EMAC supports 10Base-T (10 Mbps/second [Mbps]), and 100BaseTX (100 Mbps), in half- or full-duplex mode, and 1000BaseT (1000 Mbps) in full-duplex mode, with hardware flow control and quality-of-service (QOS) support.

The EMAC module conforms to the IEEE 802.3-2002 standard, describing the *Carrier Sense Multiple Access with Collision Detection (CSMA/CD) Access Method and Physical Layer* specifications. The IEEE 802.3 standard has also been adopted by ISO/IEC and re-designated as ISO/IEC 8802-3:2000(E).

Deviating from this standard, the EMAC module does not use the transmit coding error signal MTXER. Instead of driving the error pin when an underflow condition occurs on a transmitted frame, the EMAC will intentionally generate an incorrect checksum by inverting the frame CRC, so that the transmitted frame will be detected as an error by the network.

The EMAC control module is the main interface between the device core processor, the MDIO module, and the EMAC module. The relationship between these three components is shown in Figure 7-47. The EMAC control module contains the necessary components to allow the EMAC to make efficient use of device memory, plus it controls device interrupts. The EMAC control module incorporates 8K bytes of internal RAM to hold EMAC buffer descriptors.

Figure 7-47 EMAC, MDIO, and EMAC Control Modules



For more detailed information on the EMAC/MDIO, see *Gigabit Ethernet (GbE) Subsystem for KeyStone Devices User Guide* in “[Related Documentation from Texas Instruments](#)” on page 65.

### 7.17.1 EMAC Device-Specific Information

The EMAC module on the device supports Serial Gigabit Media Independent Interface (SGMII). The SGMII interface conforms to version 1.8 of the industry standard specification.

### 7.17.2 EMAC Peripheral Register Description(s)

The memory maps of the EMAC are shown in [Table 7-70](#) through [Table 7-75](#).

**Table 7-70 Ethernet MAC (EMAC) Control Registers (Part 1 of 3)**

Hex Address	Acronym	Register Name
02C0 8000	TXIDVER	Transmit Identification and Version Register
02C0 8004	TXCONTROL	Transmit Control Register
02C0 8008	TXTEARDOWN	Transmit Teardown register
02C0 800F	-	Reserved
02C0 8010	RXIDVER	Receive Identification and Version Register
02C0 8014	RXCONTROL	Receive Control Register
02C0 8018	RXTEARDOWN	Receive Teardown Register
02C0 801C	-	Reserved
02C0 8020 - 02C0 807C	-	Reserved
02C0 8080	TXINTSTATRAW	Transmit Interrupt Status (Unmasked) Register
02C0 8084	TXINTSTATMASKED	Transmit Interrupt Status (Masked) Register
02C0 8088	TXINTMASKSET	Transmit Interrupt Mask Set Register
02C0 808C	TXINTMASKCLEAR	Transmit Interrupt Mask Clear Register
02C0 8090	MACINVECTOR	MAC Input Vector Register
02C0 8094	MACEOIVECTOR	MAC End of Interrupt Vector Register
02C0 8098 - 02C0 819C	-	Reserved
02C0 80A0	RXINTSTATRAW	Receive Interrupt Status (Unmasked) Register
02C0 80A4	RXINTSTATMASKED	Receive Interrupt Status (Masked) Register
02C0 80A8	RXINTMASKSET	Receive Interrupt Mask Set Register
02C0 80AC	RXINTMASKCLEAR	Receive Interrupt Mask Clear Register
02C0 80B0	MACINTSTATRAW	MAC Interrupt Status (Unmasked) Register
02C0 80B4	MACINTSTATMASKED	MAC Interrupt Status (Masked) Register
02C0 80B8	MACINTMASKSET	MAC Interrupt Mask Set Register
02C0 80BC	MACINTMASKCLEAR	MAC Interrupt Mask Clear Register
02C0 80C0 - 02C0 80FC	-	Reserved
02C0 8100	RXMBPENABLE	Receive Multicast/Broadcast/Promiscuous Channel Enable Register
02C0 8104	RXUNICASTSET	Receive Unicast Enable Set Register
02C0 8108	RXUNICASTCLEAR	Receive Unicast Clear Register
02C0 810C	RXMAXLEN	Receive Maximum Length Register
02C0 8110	RXBUFFEROFFSET	Receive Buffer Offset Register
02C0 8114	RXFILTERLOWTHRESH	Receive Filter Low Priority Frame Threshold Register
02C0 8118 - 02C0 811C	-	Reserved
02C0 8120	RX0FLOWTHRESH	Receive Channel 0 Flow Control Threshold Register
02C0 8124	RX1FLOWTHRESH	Receive Channel 1 Flow Control Threshold Register
02C0 8128	RX2FLOWTHRESH	Receive Channel 2 Flow Control Threshold Register
02C0 812C	RX3FLOWTHRESH	Receive Channel 3 Flow Control Threshold Register
02C0 8130	RX4FLOWTHRESH	Receive Channel 4 Flow Control Threshold Register
02C0 8134	RX5FLOWTHRESH	Receive Channel 5 Flow Control Threshold Register
02C0 8138	RX6FLOWTHRESH	Receive Channel 6 Flow Control Threshold Register
02C0 813C	RX7FLOWTHRESH	Receive Channel 7 Flow Control Threshold Register
02C0 8140	RX0FREEBUFFER	Receive Channel 0 Free Buffer Count Register

# TMS320C6655/57

## Fixed and Floating-Point Digital Signal Processor

SPRS814A—August 2012



www.ti.com

**Table 7-70 Ethernet MAC (EMAC) Control Registers (Part 2 of 3)**

Hex Address	Acronym	Register Name
02C0 8144	RX1FREEBUFFER	Receive Channel 1 Free Buffer Count Register
02C0 8148	RX2FREEBUFFER	Receive Channel 2 Free Buffer Count Register
02C0 814C	RX3FREEBUFFER	Receive Channel 3 Free Buffer Count Register
02C0 8150	RX4FREEBUFFER	Receive Channel 4 Free Buffer Count Register
02C0 8154	RX5FREEBUFFER	Receive Channel 5 Free Buffer Count Register
02C0 8158	RX6FREEBUFFER	Receive Channel 6 Free Buffer Count Register
02C0 815C	RX7FREEBUFFER	Receive Channel 7 Free Buffer Count Register
02C0 8160	MACCONTROL	MAC Control Register
02C0 8164	MACSTATUS	MAC Status Register
02C0 8168	EMCONTROL	Emulation Control Register
02C0 816C	FIFOCONTROL	FIFO Control Register
02C0 8170	MACCONFIG	MAC Configuration Register
02C0 8174	SOFTRESET	Soft Reset Register
02C0 81D0	MACSRCADDRLO	MAC Source Address Low Bytes Register
02C0 81D4	MACSRCADDRHI	MAC Source Address High Bytes Register
02C0 81D8	MACHASH1	MAC Hash Address Register 1
02C0 81DC	MACHASH2	MAC Hash Address Register 2
02C0 81E0	BOFFTEST	Back Off Test Register
02C0 81E4	TPACETEST	Transmit Pacing Algorithm Test Register
02C0 81E8	RXPAUSE	Receive Pause Timer Register
02C0 81EC	TXPAUSE	Transmit Pause Timer Register
02C0 8200 - 02C0 82FC	-	See Table 7-71 "EMAC Statistics Registers"
02C0 8300 - 02C0 84FC	-	Reserved
02C0 8500	MACADDRLO	MAC Address Low Bytes Register (used in Receive Address Matching)
02C0 8504	MACADDRHI	MAC Address High Bytes Register (used in Receive Address Matching)
02C0 8508	MACINDEX	MAC Index Register
02C0 850C - 02C0 85FC	-	Reserved
02C0 8600	TX0HDP	Transmit Channel 0 DMA Head Descriptor Pointer Register
02C0 8604	TX1HDP	Transmit Channel 1 DMA Head Descriptor Pointer Register
02C0 8608	TX2HDP	Transmit Channel 2 DMA Head Descriptor Pointer Register
02C0 860C	TX3HDP	Transmit Channel 3 DMA Head Descriptor Pointer Register
02C0 8610	TX4HDP	Transmit Channel 4 DMA Head Descriptor Pointer Register
02C0 8614	TX5HDP	Transmit Channel 5 DMA Head Descriptor Pointer Register
02C0 8618	TX6HDP	Transmit Channel 6 DMA Head Descriptor Pointer Register
02C0 861C	TX7HDP	Transmit Channel 7 DMA Head Descriptor Pointer Register
02C0 8620	RX0HDP	Receive Channel 0 DMA Head Descriptor Pointer Register
02C0 8624	RX1HDP	Receive Channel 1 DMA Head Descriptor Pointer Register
02C0 8628	RX2HDP	Receive Channel 2 DMA Head Descriptor Pointer Register
02C0 862C	RX3HDP	Receive Channel 3 DMA Head Descriptor Pointer Register
02C0 8630	RX4HDP	Receive Channel 4 DMA Head Descriptor Pointer Register
02C0 8634	RX5HDP	Receive Channel 5 DMA Head Descriptor Pointer Register
02C0 8638	RX6HDP	Receive Channel 6 DMA Head Descriptor Pointer Register
02C0 863C	RX7HDP	Receive Channel 7 DMA Head Descriptor Pointer Register
02C0 8640	TX0CP	Transmit Channel 0 Completion Pointer (Interrupt Acknowledge) Register

**Table 7-70 Ethernet MAC (EMAC) Control Registers (Part 3 of 3)**

Hex Address	Acronym	Register Name
02C0 8644	TX1CP	Transmit Channel 1 Completion Pointer (Interrupt Acknowledge) Register
02C0 8648	TX2CP	Transmit Channel 2 Completion Pointer (Interrupt Acknowledge) Register
02C0 864C	TX3CP	Transmit Channel 3 Completion Pointer (Interrupt Acknowledge) Register
02C0 8650	TX4CP	Transmit Channel 4 Completion Pointer (Interrupt Acknowledge) Register
02C0 8654	TX5CP	Transmit Channel 5 Completion Pointer (Interrupt Acknowledge) Register
02C0 8658	TX6CP	Transmit Channel 6 Completion Pointer (Interrupt Acknowledge) Register
02C0 865C	TX7CP	Transmit Channel 7 Completion Pointer (Interrupt Acknowledge) Register
02C0 8660	RX0CP	Receive Channel 0 Completion Pointer (Interrupt Acknowledge) Register
02C0 8664	RX1CP	Receive Channel 1 Completion Pointer (Interrupt Acknowledge) Register
02C0 8668	RX2CP	Receive Channel 2 Completion Pointer (Interrupt Acknowledge) Register
02C0 866C	RX3CP	Receive Channel 3 Completion Pointer (Interrupt Acknowledge) Register
02C0 8670	RX4CP	Receive Channel 4 Completion Pointer (Interrupt Acknowledge) Register
02C0 8674	RX5CP	Receive Channel 5 Completion Pointer (Interrupt Acknowledge) Register
02C0 8678	RX6CP	Receive Channel 6 Completion Pointer (Interrupt Acknowledge) Register
02C0 867C	RX7CP	Receive Channel 7 Completion Pointer (Interrupt Acknowledge) Register
02C0 8680 - 02C0 86FC	-	Reserved
02C0 8700 - 02C0 877C	-	Reserved
02C0 8780 - 02C0 8FFF	-	Reserved
<b>End of Table 7-70</b>		

**Table 7-71 EMAC Statistics Registers (Part 1 of 2)**

Hex Address	Acronym	Register Name
02C0 8200	RXGOODFRAMES	Good Receive Frames Register
02C0 8204	RXBCASTFRAMES	Broadcast Receive Frames Register (Total number of Good Broadcast Frames Receive)
02C0 8208	RXMCASTFRAMES	Multicast Receive Frames Register (Total number of Good Multicast Frames Received)
02C0 820C	RXPAUSEFRAMES	Pause Receive Frames Register
02C0 8210	RXCRCERRORS	Receive CRC Errors Register (Total number of Frames Received with CRC Errors)
02C0 8214	RXALIGNCODEERRORS	Receive Alignment/Code Errors register (Total number of frames received with alignment/code errors)
02C0 8218	RXOVERSIZED	Receive Oversized Frames Register (Total number of Oversized Frames Received)
02C0 821C	RXJABBER	Receive Jabber Frames Register (Total number of Jabber Frames Received)
02C0 8220	RXUNDERSIZED	Receive Undersized Frames Register (Total number of Undersized Frames Received)
02C0 8224	RXFRAGMENTS	Receive Frame Fragments Register
02C0 8228	RXFILTERED	Filtered Receive Frames Register
02C0 822C	RXQOSFILTERERED	Received QOS Filtered Frames Register
02C0 8230	RXOCTETS	Receive Octet Frames Register (Total number of Received Bytes in Good Frames)
02C0 8234	TXGOODFRAMES	Good Transmit Frames Register (Total number of Good Frames Transmitted)
02C0 8238	TXBCASTFRAMES	Broadcast Transmit Frames Register
02C0 823C	TXMCASTFRAMES	Multicast Transmit Frames Register
02C0 8240	TXPAUSEFRAMES	Pause Transmit Frames Register
02C0 8244	TXDEFERED	Deferred Transmit Frames Register
02C0 8248	TXCOLLISION	Transmit Collision Frames Register
02C0 824C	TXSINGLECOLL	Transmit Single Collision Frames Register
02C0 8250	TXMULTICOLL	Transmit Multiple Collision Frames Register

# TMS320C6655/57

## Fixed and Floating-Point Digital Signal Processor

SPRS814A—August 2012



www.ti.com

**Table 7-71 EMAC Statistics Registers (Part 2 of 2)**

Hex Address	Acronym	Register Name
02C0 8254	TXEXCESSIVECOLL	Transmit Excessive Collision Frames Register
02C0 8258	TXLATECOLL	Transmit Late Collision Frames Register
02C0 825C	TXUNDERRUN	Transmit Under Run Error Register
02C0 8260	TXCARRIERSENSE	Transmit Carrier Sense Errors Register
02C0 8264	TXOCTETS	Transmit Octet Frames Register
02C0 8268	FRAME64	Transmit and Receive 64 Octet Frames Register
02C0 826C	FRAME65T127	Transmit and Receive 65 to 127 Octet Frames Register
02C0 8270	FRAME128T255	Transmit and Receive 128 to 255 Octet Frames Register
02C0 8274	FRAME256T511	Transmit and Receive 256 to 511 Octet Frames Register
02C0 8278	FRAME512T1023	Transmit and Receive 512 to 1023 Octet Frames Register
02C0 827C	FRAME1024TUP	Transmit and Receive 1024 to 1518 Octet Frames Register
02C0 8280	NETOCTETS	Network Octet Frames Register
02C0 8284	RXSOFOVERRUNS	Receive FIFO or DMA Start of Frame Overruns Register
02C0 8288	RXMOFOVERRUNS	Receive FIFO or DMA Middle of Frame Overruns Register
02C0 828C	RXDMAOVERRUNS	Receive DMA Start of Frame and Middle of Frame Overruns Register
02C0 8290 - 02C0 82FC	-	Reserved
<b>End of Table 7-71</b>		

**Table 7-72 EMAC Descriptor Memory**

Hex Address	Acronym	Register Name
02C0 A000 - 02C0 BFFF	-	EMAC Descriptor Memory
<b>End of Table 7-72</b>		

**Table 7-73 SGMII Control Registers**

Hex Address	Acronym	Register Name
02C0 8900	IDVER	Identification and Version register
02C0 8904	SOFT_RESET	Software Reset Register
02C0 8910	CONTROL	Control Register
02C0 8914	STATUS	Status Register
02C0 8918	MR_ADV_ABILITY	Advertised Ability Register
02C0 891C	-	Reserved
02C0 8920	MR_LP_ADV_ABILITY	Link Partner Advertised Ability Register
02C0 8924 - 02C0 8948	-	Reserved
<b>End of Table 7-73</b>		

**Table 7-74 EMIC Control Registers (Part 1 of 2)**

Hex Address	Acronym	Register Name
02C0 8A00	IDVER	Identification and Version register
02C0 8A04	SOFT_RESET	Software Reset Register
02C0 8A08	EM_CONTROL	Emulation Control Register
02C0 8A0C	INT_CONTROL	Interrupt Control Register
02C0 8A10	C0_RX_THRESH_EN	Receive Threshold Interrupt Enable Register for CorePac0
02C0 8A14	C0_RX_EN	Receive Interrupt Enable Register for CorePac0



**Table 7-74 EMIC Control Registers (Part 2 of 2)**

Hex Address	Acronym	Register Name
02C0 8A18	C0_TX_EN	Transmit Interrupt Enable Register for CorePac0
02C0 8A1C	C0_MISC_EN	Misc Interrupt Enable Register for CorePac0
02C0 8A10	C1_RX_THRESH_EN	Receive Threshold Interrupt Enable Register for CorePac1 (C6657 only)
02C0 8A14	C1_RX_EN	Receive Interrupt Enable Register for CorePac1 (C6657 only)
02C0 8A18	C1_TX_EN	Transmit Interrupt Enable Register for CorePac1 (C6657 only)
02C0 8A1C	C1_MISC_EN	Misc Interrupt Enable Register for CorePac1 (C6657 only)
02C0 8A90	C0_RX_THRESH_STAT	Receive Threshold Masked Interrupt Status Register for CorePac0
02C0 8A94	C0_RX_STAT	Receive Interrupt Masked Interrupt Status Register for CorePac0
02C0 8A98	C0_TX_STAT	Transmit Interrupt Masked Interrupt Status Register for CorePac0
02C0 8A9C	C0_MISC_STAT	Misc Interrupt Masked Interrupt Status Register for CorePac0
02C0 8AA0	C1_RX_THRESH_STAT	Receive Threshold Masked Interrupt Status Register for CorePac1 (C6657 only)
02C0 8AA4	C1_RX_STAT	Receive Interrupt Masked Interrupt Status Register for CorePac1 (C6657 only)
02C0 8AA8	C1_TX_STAT	Transmit Interrupt Masked Interrupt Status Register for CorePac1 (C6657 only)
02C0 8AAC	C1_MISC_STAT	Misc Interrupt Masked Interrupt Status Register for CorePac1 (C6657 only)
02C0 8B10	C0_RX_IMAX	Receive Interrupts Per Millisecond for CorePac0
02C0 8B14	C0_TX_IMAX	Transmit Interrupts Per Millisecond for CorePac0
02C0 8B18	C1_RX_IMAX	Receive Interrupts Per Millisecond for CorePac1 (C6657 only)
02C0 8B1C	C1_TX_IMAX	Transmit Interrupts Per Millisecond for CorePac1 (C6657 only)
<b>End of Table 7-74</b>		

### 7.17.3 EMAC Electrical Data/Timing (SGMII)

The *Hardware Design Guide for KeyStone Devices* application report specifies a complete EMAC and SGMII interface solution for the C6655/57 as well as a list of compatible EMAC and SGMII devices. TI has performed the simulation and system characterization to ensure all EMAC and SGMII interface timings in this solution are met; therefore, no electrical data/timing information is supplied here for this interface.



**Note**—TI supports *only* designs that follow the board design guidelines outlined in the application report.

## 7.18 Management Data Input/Output (MDIO)

The management data input/output (MDIO) module implements the 802.3 serial management interface to interrogate and control up to 32 Ethernet PHY(s) connected to the device, using a shared two-wire bus. Application software uses the MDIO module to configure the auto-negotiation parameters of each PHY attached to the GbE switch subsystem, retrieve the negotiation results, and configure required parameters in the GbE switch subsystem module for correct operation. The module is designed to allow almost transparent operation of the MDIO interface, with very little maintenance from the core processor. For more information, see the *Gigabit Ethernet (GbE) Subsystem for KeyStone Devices User Guide* in “[Related Documentation from Texas Instruments](#)” on page 65.

The EMAC control module is the main interface between the device core processor, the MDIO module, and the EMAC module. The relationship between these three components is shown in [Figure 7-47](#).

For more detailed information on the EMAC/MDIO, see *Gigabit Ethernet (GbE) Subsystem for KeyStone Devices User Guide* in “[Related Documentation from Texas Instruments](#)” on page 65.

### 7.18.1 MDIO Peripheral Registers

The memory map of the MDIO is shown in [Table 7-75](#).

**Table 7-75 MDIO Registers**

Hex Address	Acronym	Register Name
02C0 8800	VERSION	MDIO Version Register
02C0 8804	CONTROL	MDIO Control Register
02C0 8808	ALIVE	MDIO PHY Alive Status Register
02C0 880C	LINK	MDIO PHY Link Status Register
02C0 8810	LINKINTRAW	MDIO link Status Change Interrupt (unmasked) Register
02C0 8814	LINKINTMASKED	MDIO link Status Change Interrupt (masked) Register
02C0 8818 - 02C0 881C	-	Reserved
02C0 8820	USERINTRAW	MDIO User Command Complete Interrupt (Unmasked) Register
02C0 8824	USERINTMASKED	MDIO User Command Complete Interrupt (Masked) Register
02C0 8828	USERINTMASKSET	MDIO User Command Complete Interrupt Mask Set Register
02C0 882C	USERINTMASKCLEAR	MDIO User Command Complete Interrupt Mask Clear Register
02C0 8830 - 02C0 887C	-	Reserved
02C0 8880	USERACCESS0	MDIO User Access Register 0
02C0 8884	USERPHYSEL0	MDIO User PHY Select Register 0
02C0 8888	USERACCESS1	MDIO User Access Register 1
02C0 888C	USERPHYSEL1	MDIO User PHY Select Register 1
02C0 8890 - 02C0 8FFF	-	Reserved
<b>End of Table 7-75</b>		

### 7.18.2 MDIO Timing

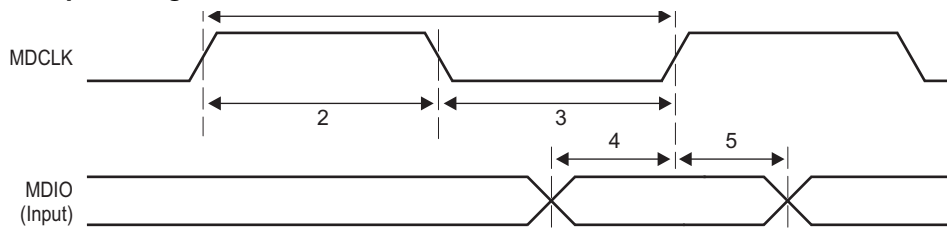
**Table 7-76 MDIO Timing Requirements**

See [Figure 7-48](#)

No.			Min	Max	Unit
1	$t_c(\text{MDCLK})$	Cycle time, MDCLK		400	ns
2	$t_w(\text{MDCLKH})$	Pulse duration, MDCLK high		180	ns
3	$t_w(\text{MDCLKL})$	Pulse duration, MDCLK low		180	ns
4	$t_{su}(\text{MDIO-MDCLKH})$	Setup time, MDIO data input valid before MDCLK high		10	ns
5	$t_h(\text{MDCLKH-MDIO})$	Hold time, MDIO data input valid after MDCLK high		0	ns
	$t_t(\text{MDCLK})$	Transition time, MDCLK			5 ns

**End of Table 7-76**

**Figure 7-48 MDIO Input Timing**



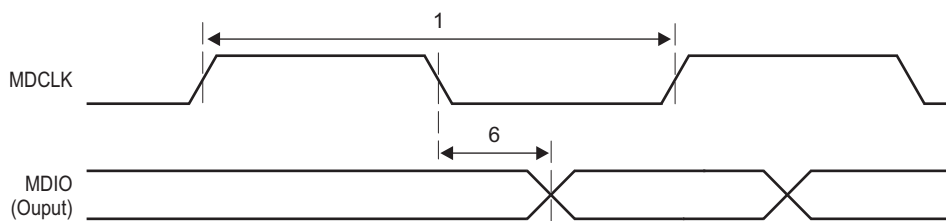
**Table 7-77 MDIO Switching Characteristics**

See [Figure 7-49](#)

No.	Parameter	Min	Max	Unit
6	$t_d(\text{MDCLKL-MDIO})$		100	ns

**End of Table 7-77**

**Figure 7-49 MDIO Output Timing**



## 7.19 Timers

The timers can be used to: time events, count events, generate pulses, interrupt the CPU and send synchronization events to the EDMA3 channel controller.

### 7.19.1 Timers Device-Specific Information

The TMS320C6655/57 devices have eight 64-bit timers in total. On the C6657, Timer0 and Timer1 are dedicated to each of the two CorePacs as a watchdog timer and can also be used as general-purpose timers. Each of the other six timers can also be configured as a general-purpose timer only, with each timer programmed as a 64-bit timer or as two separate 32-bit timers. On the C6655, Timer0 is dedicated to the CorePac as a watchdog timer and can also be used as a general-purpose timer. Each of the other seven timers can also be configured as a general-purpose timer only, programmed as a 64-bit timer or as two separate 32-bit timers.

When operating in 64-bit mode, the timer counts either VBUS clock cycles or input (TINPLx) pulses (rising edge) and generates an output pulse/waveform (TOUTLx) plus an internal event (TINTLx) on a software-programmable period.

When operating in 32-bit mode, the timer is split into two independent 32-bit timers. Each timer is made up of two 32-bit counters: a high counter and a low counter. The timer pins, TINPLx and TOUTLx are connected to the low counter. The timer pins, TINPHx and TOUTHx are connected to the high counter.

When operating in watchdog mode, the timer counts down to 0 and generates an event. It is a requirement that software writes to the timer before the count expires, after which the count begins again. If the count ever reaches 0, the timer event output is asserted. Reset initiated by a watchdog timer can be set by programming “[Reset Type Status Register \(RSTYPE\)](#)” on page 134 and the type of reset initiated can set by programming “[Reset Configuration Register \(RSTCFG\)](#)” on page 135. For more information, see the *64-bit Timer (Timer 64) for KeyStone Devices User Guide* in “[Related Documentation from Texas Instruments](#)” on page 65.

### 7.19.2 Timers Electrical Data/Timing

The tables and figure below describe the timing requirements and switching characteristics of Timer0 through Timer7 peripherals.

**Table 7-78 Timer Input Timing Requirements<sup>(1)</sup>**  
(see Figure 7-50)

No.		Min	Max	Unit
1	$t_{w(TINPH)}$ Pulse duration, high	12C		ns
2	$t_{w(TINPL)}$ Pulse duration, low	12C		ns
<b>End of Table 7-78</b>				

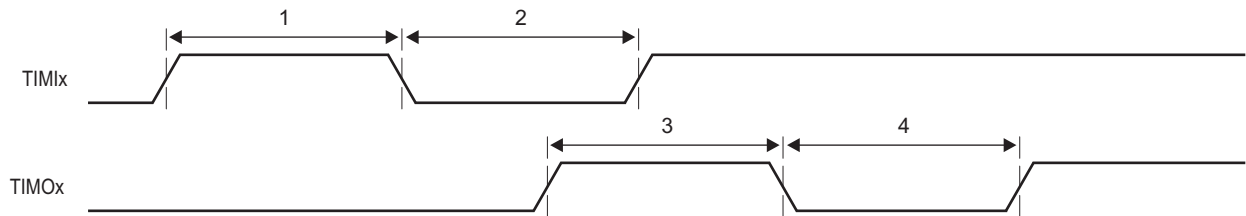
<sup>1</sup> C = 1 ÷ CORECLK(N/P) frequency in ns.

**Table 7-79 Timer Output Switching Characteristics<sup>(1)</sup>**  
(see Figure 7-50)

No.	Parameter	Min	Max	Unit
3	$t_{w(TOUTH)}$ Pulse duration, high	12C - 3		ns
4	$t_{w(TOURL)}$ Pulse duration, low	12C - 3		ns
<b>End of Table 7-79</b>				

<sup>1</sup> C = 1 ÷ CORECLK(N/P) frequency in ns.

**Figure 7-50 Timer Timing**



## 7.20 General-Purpose Input/Output (GPIO)

### 7.20.1 GPIO Device-Specific Information

On the TMS320C6655/57, the GPIO peripheral pins GP[15:0] are also used to latch configuration settings. For more detailed information on device/peripheral configuration and the C6655/57 device pin muxing, see “[Device Configuration](#)” on page 66. For more information on GPIO, see the *General Purpose Input/Output (GPIO) for KeyStone Devices User Guide* “[Related Documentation from Texas Instruments](#)” on page 65.

### 7.20.2 GPIO Electrical Data/Timing

**Table 7-80 GPIO Input Timing Requirements**

No.	Parameter	Min	Max	Unit
1	$t_{w(GPOH)}$ Pulse duration, GPOx high	12C <sup>(1)</sup>		ns
2	$t_{w(GPOL)}$ Pulse duration, GPOx low	12C		ns

**End of Table 7-80**

1 C =  $1 \div \text{CORECLK(N|P)}$  frequency in ns.

**Table 7-81 GPIO Output Switching Characteristics<sup>(1)</sup>**

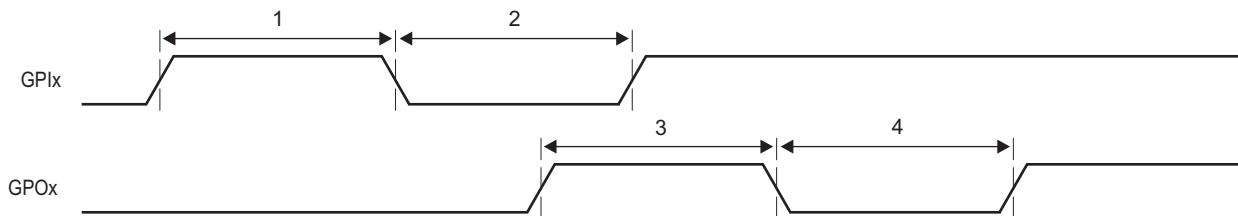
No.	Parameter	Min	Max	Unit
3	$t_{w(GPOH)}$ Pulse duration, GPOx high	$36C^{(2)} - 8$		ns
4	$t_{w(GPOL)}$ Pulse duration, GPOx low	$36C - 8$		ns

**End of Table 7-81**

1 Over recommended operating conditions.

2 C =  $1 \div \text{CORECLK(N|P)}$  frequency in ns.

**Figure 7-51 GPIO Timing**



## 7.21 Semaphore2

The device contains an enhanced semaphore module for the management of shared resources of the DSP C66x CorePac. The semaphore enforces atomic accesses to shared chip-level resources so that the read-modify-write sequence is not broken. The semaphore module has a unique interrupt to the CorePac to identify when the core has acquired the resource.

Semaphore resources within the module are not tied to specific hardware resources. It is a software requirement to allocate semaphore resources to the hardware resource(s) to be arbitrated.

The semaphore module supports 8 masters and contains 32 semaphores to be used within the system.

There are two methods of accessing a semaphore resource:

- **Direct Access:** A core directly accesses a semaphore resource. If free, the semaphore will be granted. If not, the semaphore is not granted.
- **Indirect Access:** A core indirectly accesses a semaphore resource by writing it. Once it is free, an interrupt notifies the CPU that it is available.

## 7.22 Multichannel Buffered Serial Port (McBSP)

The McBSP provides these functions:

- Full-duplex communication
- Double-buffered data registers, which allow a continuous data stream
- Independent framing and clocking for receive and transmit
- Direct interface to industry-standard codecs, analog interface chips (AICs), and other serially connected analog-to-digital (A/D) and digital-to-analog (D/A) devices
- External shift clock or an internal, programmable frequency shift clock for data transfer
- Transmit & receive FIFO buffers allow the McBSP to operate at a higher sample rate by making it more tolerant to DMA latency

If an internal clock source is used, the CLKGDV field of the Sample Rate Generator Register (SRGR) must always be set to a value of 1 or greater.

For more information, see the *Multichannel Buffered Serial Port (McBSP) for KeyStone Devices User Guide* in “[Related Documentation from Texas Instruments](#)” on page 65.

### 7.22.1 McBSP Peripheral Register

**Table 7-82 McBSP/FIFO Registers (Part 1 of 2)**

McBSP0 Byte Address	McBSP1 Byte Address	Acronym	Register Description
<b>McBSP Registers</b>			
0x021B 4000	0x021B 8000	DRR	McBSP Data Receive Register (read-only)
0x021B 4004	0x021B 8004	DXR	McBSP Data Transmit Register
0x021B 4008	0x021B 8008	SPCR	McBSP Serial Port Control Register
0x021B 400C	0x021B 800C	RCR	McBSP Receive Control Register
0x021B 4010	0x021B 8010	XCR	McBSP Transmit Control Register
0x021B 4014	0x021B 8014	SRGR	McBSP Sample Rate Generator register
0x021B 4018	0x021B 8018	MCR	McBSP Multichannel Control Register
0x021B 401C	0x021B 801C	RCERE0	McBSP Enhanced Receive Channel Enable Register 0 Partition A/B
0x021B 4020	0x021B 8020	XCERE0	McBSP Enhanced Transmit Channel Enable Register 0 Partition A/B
0x021B 4024	0x021B 8024	PCR	McBSP Pin Control Register
0x021B 4028	0x021B 8028	RCERE1	McBSP Enhanced Receive Channel Enable Register 1 Partition C/D
0x021B 402C	0x021B 802C	XCERE1	McBSP Enhanced Transmit Channel Enable Register 1 Partition C/D
0x021B 4030	0x021B 8030	RCERE2	McBSP Enhanced Receive Channel Enable Register 2 Partition E/F
0x021B 4034	0x021B 8034	XCERE2	McBSP Enhanced Transmit Channel Enable Register 2 Partition E/F
0x021B 4038	0x021B 8038	RCERE3	McBSP Enhanced Receive Channel Enable Register 3 Partition G/H
0x021B 403C	0x021B 803C	XCERE3	McBSP Enhanced Transmit Channel Enable Register 3 Partition G/H
<b>McBSP FIFO Control and Status Registers</b>			
0x021B 6800	0x021B A800	BFIFOREV	BFIFO Revision Identification Register
0x021B 6810	0x021B A810	WFIFOCTL	Write FIFO Control Register
0x021B 6814	0x021B A814	WFIFOSTS	Write FIFO Status Register
0x021B 6818	0x021B A818	RFIFOCTL	Read FIFO Control Register
0x021B 681C	0x021B A81C	RFIFOSTS	Read FIFO Status Register

**Table 7-82** McBSP/FIFO Registers (Part 2 of 2)

McBSP0 Byte Address	McBSP1 Byte Address	Acronym	Register Description
<b>McBSP FIFO Data Registers</b>			
0x2200 0000	0x2240 1000	RBUF	McBSP FIFO Receive Buffer
0x2200 0000	0x2240 1000	XBUF	McBSP FIFO Transmit Buffer
<b>End of Table 7-82</b>			

## 7.22.2 McBSP Electrical Data/Timing

The following tables assume testing over recommended operating conditions.

### 7.22.2.1 McBSP Timing

**Table 7-83** McBSP Timing Requirements <sup>(1)</sup>  
 (see [Figure 7-52](#))

No.				Min	Max	Unit
2	$t_{c(CKRX)}$	Cycle time, CLKR/X	CLKR/X ext	2P or 20 <sup>(2) (3)</sup>		ns
3	$t_{w(CKRX)}$	Pulse duration, CLKR/X high or CLKR/X low	CLKR/X ext	P-1 <sup>(4)</sup>		ns
5	$t_{su(FRH-CKRL)}$	Setup time, external FSR high before CLKR low	CLKR int	14		ns
			CLKR ext	4		
6	$t_{h(CKRL-FRH)}$	Hold time, external FSR high after CLKR low	CLKR int	6		ns
			CLKR ext	3		
7	$t_{su(DRV-CKRL)}$	Setup time, DR valid before CLKR low	CLKR int	14		ns
			CLKR ext	4		
8	$t_{h(CKRL-DRV)}$	Hold time, DR valid after CLKR low	CLKR int	3		ns
			CLKR ext	3		
10	$t_{su(FXH-CKXL)}$	Setup time, external FSX high before CLKX low	CLKR int	14		ns
			CLKR ext	4		
11	$t_{h(CKXL-FXH)}$	Hold time, external FSX high after CLKX low	CLKR int	6		ns
			CLKR ext	3		
<b>End of Table 7-83</b>						

1 CLKRP = CLKXP = FSRP = FSXP = 0. If polarity of any of the signals is inverted, then the timing references of that signal are also inverted.

2 P = SYSCLK7 period in ns. For example, when the SYSCLK7 clock domain is running at 166MHz, use 6ns.

3 Use whichever value is greater. Minimum CLKR/X cycle times must be met, even when CLKR/X is generated by an internal clock source. The minimum CLKR/X cycle times are based on internal logic speed; the maximum usable speed may be lower due to EDMA limitations and AC timing requirements

4 This parameter applies to the maximum McBSP frequency. Operate serial clocks (CLKR/X) in the reasonable range of 40/60 duty cycle.



**Table 7-84**    **McBSP Switching Characteristics**<sup>(1) (2)</sup>  
 (see [Figure 7-52](#))

No.	Parameter		Min	Max	Unit
1	$t_{d(CKSH-CKRXH)}$ Delay time, CLKS high to CLKR/X high for internal CLKR/X generated from CLKS input.		1	14.5	ns
2	$t_{c(CKRX)}$ Cycle time, CLKR/X	CLKR/X int	2P or 20 <sup>(3) (4)</sup>		ns
3	$t_{w(CKRX)}$ Pulse duration, CLKR/X high or CLKR/X low	CLKR/X int	$C - 2$ <sup>(5)</sup>	$C + 2$ <sup>(5)</sup>	ns
4	$t_{d(CKRH-FRV)}$ Delay time, CLKR high to internal FSR valid	CLKR int	-4	5.5	ns
4		CLKR int	1	14.5	ns
9	$t_{d(CKXH-FXV)}$ Delay time, CLKX high to internal FSX valid	CLKX int	-4	5.5	ns
		CLKX ext	1	14.5	
12	$t_{dis(CKXH-DXHZ)}$ Disable time, DX Hi-Z following last data bit from CLKX high	CLKX int	-4	7.5	ns
		CLKX ext	1	14.5	
13	$t_{d(CKXH-DXV)}$ Delay time, CLKX high to DX valid	CLKX int	$-4 + D1$ <sup>(6)</sup>	$5.5 + D2$ <sup>(6)</sup>	ns
		CLKX ext	$1 + D1$ <sup>(6)</sup>	$14.5 + D2$ <sup>(6)</sup>	
14	$t_{d(FXH-DXV)}$ Delay time, FSX high to DX valid applies ONLY when in data delay 0 (XDATDLY = 00b) mode	FSX int	$-4 + D1$ <sup>(7)</sup>	$5 + D2$ <sup>(7)</sup>	ns
		FSX ext	$-2 + D1$ <sup>(7)</sup>	$14.5 + D2$ <sup>(7)</sup>	

**End of Table 7-84**

1 CLKRP = CLKXP = FSRP = FSXP = 0. If polarity of any of the signals is inverted, then the timing references of that signal are also inverted.

2 Minimum delay times also represent minimum output hold times.

3 P = SYSCLK7 period in ns. For example, when the SYSCLK7 clock domain is running at 166 MHz, use 6 ns.

4 Use whichever value is greater.

5 C = H or L

S = sample rate generator input clock = P if CLKSM = 1 (P = SYSCLK7 period)

S = sample rate generator input clock = P\_clks if CLKSM = 0 (P\_clks = CLKS period)

If CLKGDV is even:

(1) H = CLKX high pulse width =  $(CLKGDV/2 + 1) * S$

(2) L = CLKX low pulse width =  $(CLKGDV/2) * S$

If CLKGDV is odd:

(1) H =  $(CLKGDV + 1)/2 * S$

(2) L =  $(CLKGDV + 1)/2 * S$

CLKGDV should be set appropriately to ensure the McBSP bit rate does not exceed the maximum limit.

6 Extra delay from CLKX high to DX valid applies only to the first data bit of a device, if and only if DXENA = 1 in SPCR.

if DXENA = 0, then D1 = D2 = 0

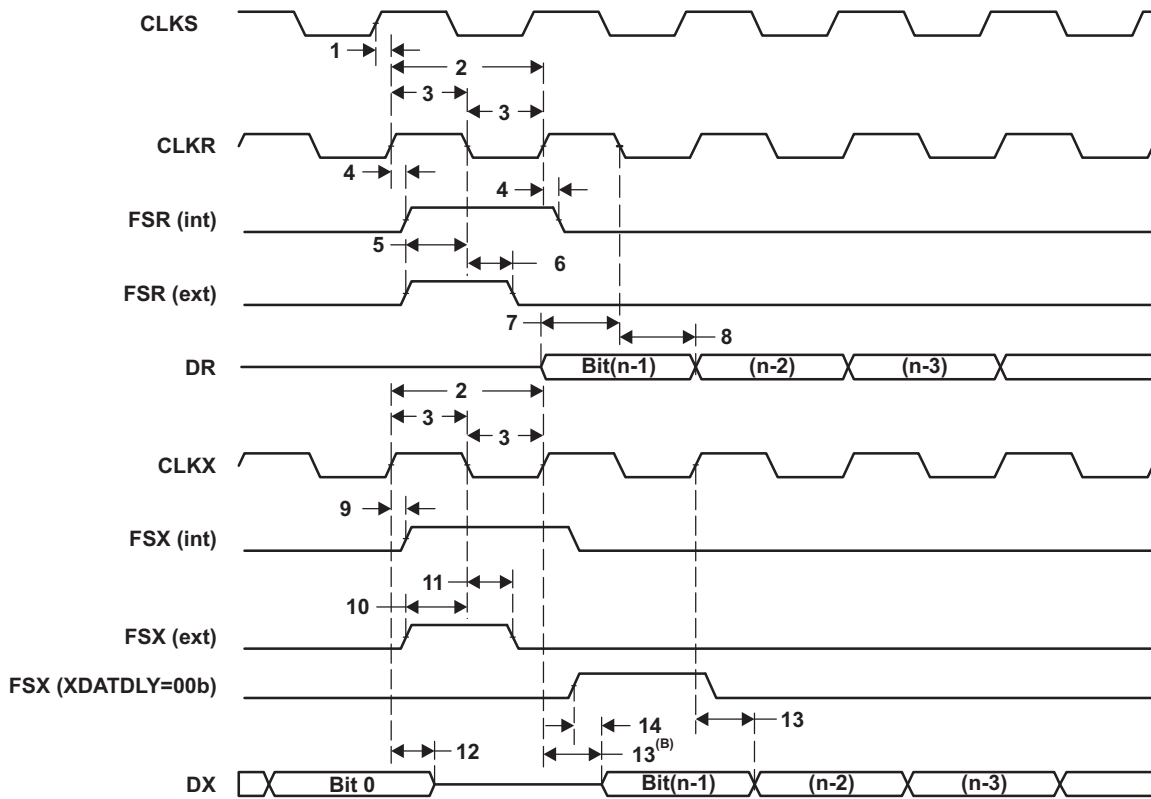
if DXENA = 1, then D1 = 4P, D2 = 8P

7 Extra delay from FSX high to DX valid applies only to the first data bit of a device, if and only if DXENA = 1 in SPCR.

if DXENA = 0, then D1 = D2 = 0

if DXENA = 1, then D1 = 4P, D2 = 8P

**Figure 7-52** McBSP Timing

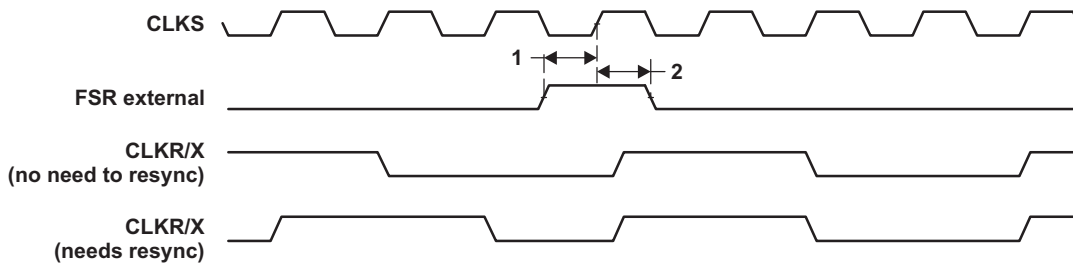


**Table 7-85** McBSP Timing Requirements for FSR When GSYNC = 1  
 (see Figure 7-53)

No.		Min	Max	Unit
1	$t_{su(FRH-CKSH)}$ Setup time, FSR high before CLKS high	4		ns
2	$t_{h(CKSH-FRH)}$ Hold time, FSR high after CLKS high	4		ns

**End of Table 7-85**

**Figure 7-53** FSR Timing When GSYNC = 1



## 7.23 Universal Parallel Port (uPP)

The universal parallel port (uPP) peripheral is a multichannel, high-speed parallel interface with dedicated data lines and minimal control signals. It is designed to interface cleanly with high-speed analog-to-digital converters (ADCs) or digital-to-analog converters (DACs) with up to 16-bits of data width (per channel). It may also be interconnected with field-programmable gate arrays (FPGAs) or other uPP devices to achieve high-speed digital data transfer. It can operate in receive mode, transmit mode, or duplex mode, in which its individual channels operate in opposite directions.

The uPP peripheral includes an internal DMA controller to maximize throughput and minimize CPU overhead during high-speed data transmission. All uPP transactions use the internal DMA to provide data to or retrieve data from the I/O channels. The DMA controller includes two DMA channels, which typically service separate I/O channels. The uPP peripheral also supports data interleave mode, in which all DMA resources service a single I/O channel. In this mode, only one I/O channel may be used.

The features of the uPP include:

- Programmable data width per channel (from 8 bits to 16 bits inclusive)
- Programmable data justification
  - Right-justify with 0 extend
  - Right-justify with sign extend
  - Left-justify with 0 fill
- Supports multiplexing of interleaved data during SDR transmit
- Optional frame START signal with programmable polarity
- Optional data ENABLE signal with programmable polarity
- Optional synchronization WAIT signal with programmable polarity
- Single Data Rate (SDR) or Double data Rate (DDR, interleaved) interface
  - Supports multiplexing of interleaved data during SDR transmit
  - Supports demultiplexing and multiplexing of interleaved data during DDR transfers

For more information, see the *Universal Parallel Port (uPP) for KeyStone Devices User Guide* in [“Related Documentation from Texas Instruments”](#) on page 65.

### 7.23.1 uPP Register Descriptions

**Table 7-86 Universal Parallel Port (uPP) Registers (Part 1 of 2)**

Byte Address	Acronym	Register Description
0x0258 0000	UPPID	uPP Peripheral Identification Register
0x0258 0004	UPPCR	uPP Peripheral Control Register
0x0258 0008	UPDLB	uPP Digital Loopback Register
0x0258 0010	UPCTL	uPP Channel Control Register
0x0258 0014	UPICR	uPP Interface Configuration Register
0x0258 0018	UPIVR	uPP Interface Idle Value Register
0x0258 001C	UPTCR	uPP Threshold Configuration Register
0x0258 0020	UPISR	uPP Interrupt Raw Status Register
0x0258 0024	UPIER	uPP Interrupt Enabled Status Register
0x0258 0028	UPIES	uPP Interrupt Enable Set Register
0x0258 002C	UPIEC	uPP Interrupt Enable Clear Register
0x0258 0030	UPEOI	uPP End-of-Interrupt Register
0x0258 0040	UPID0	uPP DMA Channel I Descriptor 0 Register

# TMS320C6655/57

## Fixed and Floating-Point Digital Signal Processor

SPRS814A—August 2012



www.ti.com

**Table 7-86 Universal Parallel Port (uPP) Registers (Part 2 of 2)**

Byte Address	Acronym	Register Description
0x0258 0044	UPID1	uPP DMA Channel I Descriptor 1 Register
0x0258 0048	UPID2	uPP DMA Channel I Descriptor 2 Register
0x0258 0050	UPIS0	uPP DMA Channel I Status 0 Register
0x0258 0054	UPIS1	uPP DMA Channel I Status 1 Register
0x0258 0058	UPIS2	uPP DMA Channel I Status 2 Register
0x0258 0060	UPQD0	uPP DMA Channel Q Descriptor 0 Register
0x0258 0064	UPQD1	uPP DMA Channel Q Descriptor 1 Register
0x0258 0068	UPQD2	uPP DMA Channel Q Descriptor 2 Register
0x0258 0070	UPQS0	uPP DMA Channel Q Status 0 Register
0x0258 0074	UPQS1	uPP DMA Channel Q Status 1 Register
0x0258 0078	UPQS2	uPP DMA Channel Q Status 2 Register
<b>End of Table 7-86</b>		

**Table 7-87 uPP Timing Requirements**  
(see Figure 7-54, Figure 7-55, Figure 7-56, Figure 7-57)

No.			Min	Max	Unit
1	$t_{c(INCLK)}$	Cycle time, CH <sub>n</sub> _CLK	SDR mode	13.33	ns
			DDR mode	26.66	
2	$t_{w(INCLKH)}$	Pulse width, CH <sub>n</sub> _CLK high	SDR mode	5	ns
			DDR mode	10	
3	$t_{w(INCLKL)}$	Pulse width, CH <sub>n</sub> _CLK low	SDR mode	5	ns
			DDR mode	10	
4	$t_{su(STV-INCLKH)}$	Setup time, CH <sub>n</sub> _START valid before CH <sub>n</sub> _CLK high	4		ns
5	$t_{h(INCLKH-STV)}$	Hold time, CH <sub>n</sub> _START valid after CH <sub>n</sub> _CLK high	0.8		ns
6	$t_{su(ENV-INCLKH)}$	Setup time, CH <sub>n</sub> _ENABLE valid before CH <sub>n</sub> _CLK high	4		ns
7	$t_{h(INCLKH-ENV)}$	Hold time, CH <sub>n</sub> _ENABLE valid after CH <sub>n</sub> _CLK high	0.8		ns
8	$t_{su(DV-INCLKH)}$	Setup time, CH <sub>n</sub> _DATA/XDATA valid before CH <sub>n</sub> _CLK high	4		ns
9	$t_{h(INCLKH-DV)}$	Hold time, CH <sub>n</sub> _DATA/XDATA valid after CH <sub>n</sub> _CLK high	0.8		ns
10	$t_{su(DV-INCLKL)}$	Setup time, CH <sub>n</sub> _DATA/XDATA valid before CH <sub>n</sub> _CLK low	4		ns
11	$t_{h(INCLKL-DV)}$	Hold time, CH <sub>n</sub> _DATA/XDATA valid after CH <sub>n</sub> _CLK low	0.8		ns
19	$t_{su(WTV-OUTCLKL)}$	Setup time, CH <sub>n</sub> _WAIT valid before CH <sub>n</sub> _CLK high	4		ns
20	$t_{h(INCLKL-WTV)}$	Hold time, CH <sub>n</sub> _WAIT valid after CH <sub>n</sub> _CLK high	0.8		ns
21	$t_{c(2XTXCLK)}$	Cycle time, 2xTXCLK input clock <sup>(1)</sup>	6.66		ns
<b>End of Table 7-87</b>					

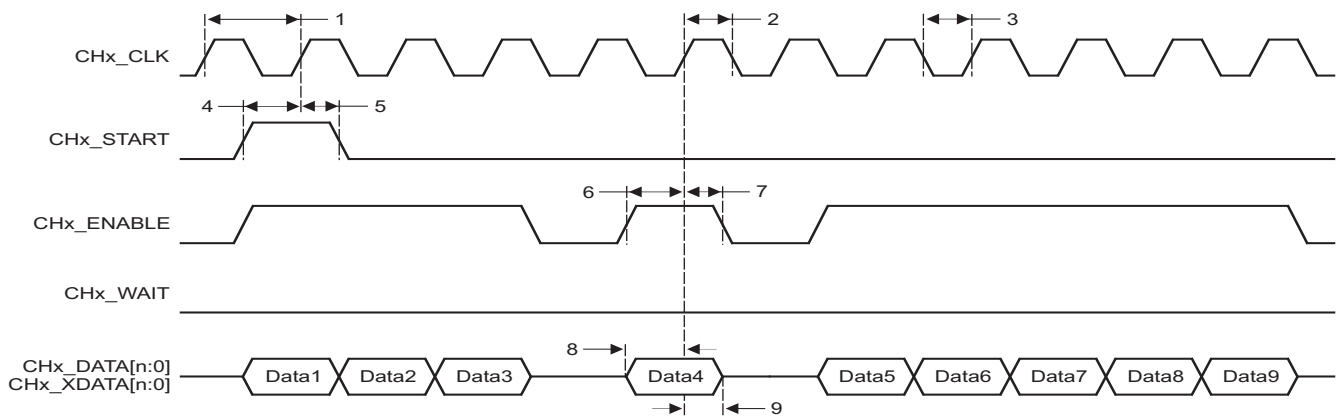
<sup>1</sup> 2xTXCLK is an alternate transmit clock source that must be at least 2 times the required uPP transmit clock rate (as it is divided down by 2 inside the uPP). 2xTXCLK has no specified skew relationship to the CH<sub>n</sub>\_CLOCK and therefore is not shown in the timing diagram.

**Table 7-88 uPP Switching Characteristics**  
(see Figure 7-56, Figure 7-57)

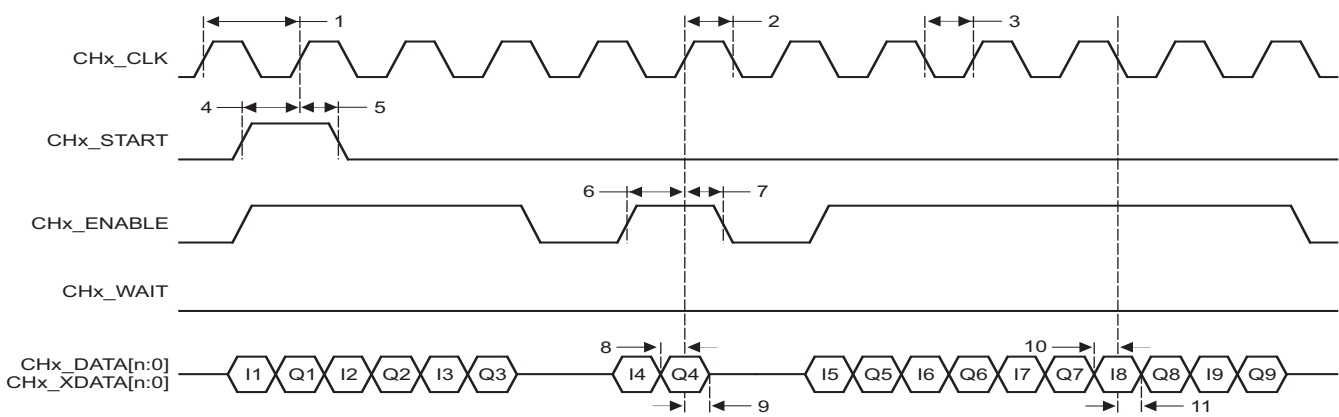
No.	Parameter	Min	Max	Unit
12	$t_{c(OUTCLK)}$ Cycle time, CHn_CLK	SDR mode	13.33	ns
		DDR mode	26.66	
13	$t_{w(OUTCLKH)}$ Pulse width, CHn_CLK high	SDR mode	5	ns
		DDR mode	10	
14	$t_{w(OUTCLKL)}$ Pulse width, CHn_CLK low	SDR mode	5	ns
		DDR mode	10	
15	$t_{d(OUTCLKH-STV)}$ Delay time, CHn_START valid after CHn_CLK high	1	11	ns
16	$t_{d(OUTCLKH-ENV)}$ Delay time, CHn_ENABLE valid after CHn_CLK high	1	11	ns
17	$t_{d(OUTCLKH-DV)}$ Delay time, CHn_DATA/XDATA valid after CHn_CLK high	1	11	ns
18	$t_{d(OUTCLKL-DV)}$ Delay time, CHn_DATA/XDATA valid after CHn_CLK low	1	11	ns

**End of Table 7-88**

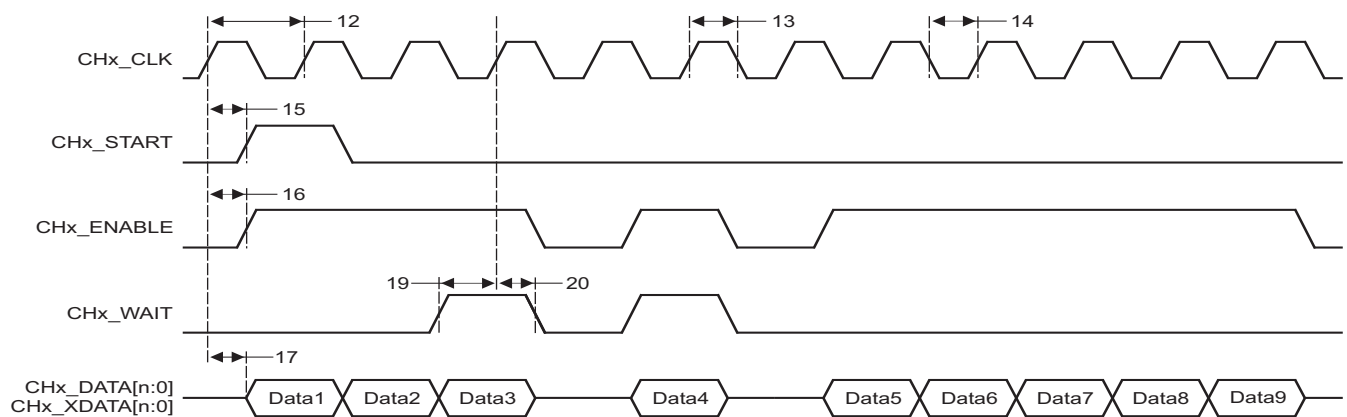
**Figure 7-54 uPP Single Data Rate (SDR) Receive Timing**



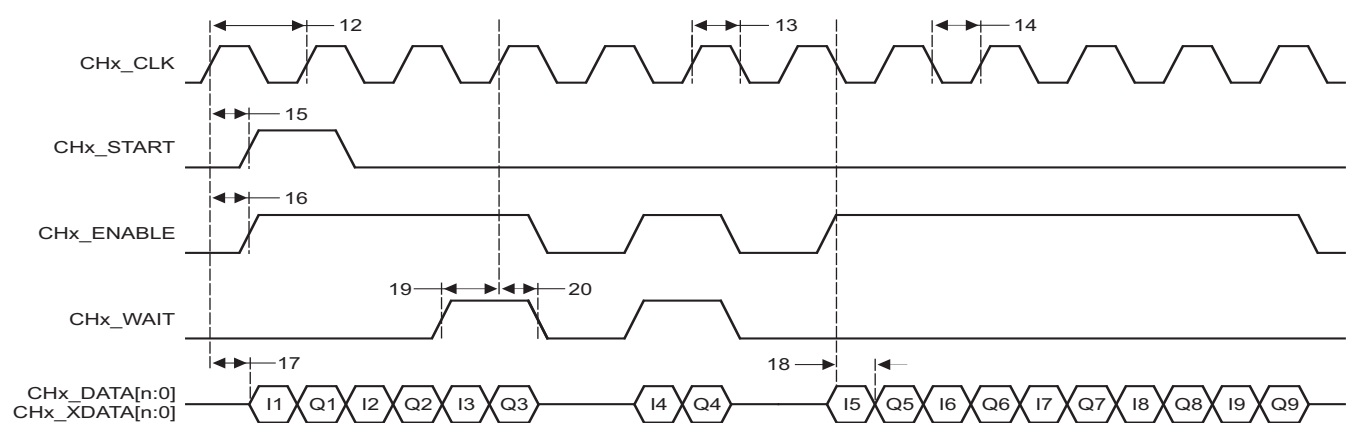
**Figure 7-55 uPP Double Data Rate (DDR) Receive Timing**



**Figure 7-56 uPP Single Data Rate (SDR) Transmit Timing**



**Figure 7-57 uPP Double Data Rate (DDR) Transmit Timing**



## 7.24 Serial RapidIO (SRIO) Port

The SRIO port is a high-performance, low pin-count interconnect aimed for embedded markets. The use of the RapidIO interconnect in a baseband board design can create a homogeneous interconnect environment, providing even more connectivity and control among the components. RapidIO is based on the memory and device addressing concepts of processor buses where the transaction processing is managed completely by hardware. This enables the RapidIO interconnect to lower the system cost by providing lower latency, reduced overhead of packet data processing, and higher system bandwidth, all of which are key for wireless interfaces. For more information, see the *Serial RapidIO (SRIO) for KeyStone Devices User Guide* in [“Related Documentation from Texas Instruments”](#) on page 65.

## 7.25 Turbo Decoder Coprocessor (TCP3d)

The C6655 and C6657 have one high-performance embedded Turbo-Decoder Coprocessor (TCP3d) that significantly speeds up channel-decoding operations on-chip for WCDMA, HSPA, HSPA+, TD-SCDMA, LTE, and WiMAX. Operating at CPU clock divided-by-2, the TCP3d is capable of processing data channels at a throughput of >100 Mbps. For more information, see the *Turbo Decoder Coprocessor 3 (TCP3d) for KeyStone Devices User Guide* in [“Related Documentation from Texas Instruments”](#) on page 65.

## 7.26 Enhanced Viterbi-Decoder Coprocessor (VCP2)

The devices have two high-performance embedded Viterbi Decoder Coprocessors (VCP2) that significantly speed up channel-decoding operations on-chip. Each VCP2, operating at CPU clock divided-by-3, can decode more than 694 7.95-Kbps adaptive multi-rate (AMR) [K = 9, R = 1/3] voice channels. The VCP2 supports constraint lengths K = 5, 6, 7, 8, and 9, rates R = 3/4, 1/2, 1/3, 1/4, and 1/5, and flexible polynomials, while generating hard decisions or soft decisions. Communications between the VCP2 and the CPU are carried out through the EDMA3 controller.

The VCP2 supports:

- Unlimited frame sizes
- Code rates 3/4, 1/2, 1/3, 1/4, and 1/5
- Constraint lengths 5, 6, 7, 8, and 9
- Programmable encoder polynomials
- Programmable reliability and convergence lengths
- Hard and soft decoded decisions
- Tail and convergent modes
- Yamamoto logic
- Tail biting logic
- Various input and output FIFO lengths

For more information, see the *Viterbi Coprocessor (VCP2) for KeyStone Devices User Guide* in [“Related Documentation from Texas Instruments”](#) on page 65.

## 7.27 Emulation Features and Capability

### 7.27.1 Advanced Event Triggering (AET)

The TMS320C6655/57 device supports advanced event triggering (AET). This capability can be used to debug complex problems as well as understand performance characteristics of user applications. AET provides the following capabilities:

- **Hardware Program Breakpoints:** specify addresses or address ranges that can generate events such as halting the processor or triggering the trace capture.
- **Data Watchpoints:** specify data variable addresses, address ranges, or data values that can generate events such as halting the processor or triggering the trace capture.
- **Counters:** count the occurrence of an event or cycles for performance monitoring.
- **State Sequencing:** allows combinations of hardware program breakpoints and data watchpoints to precisely generate events for complex sequences.

For more information on AET, see the following documents in “[Related Documentation from Texas Instruments](#)” on page 65:

- *Using Advanced Event Triggering to Find and Fix Intermittent Real-Time Bugs* application report
- *Using Advanced Event Triggering to Debug Real-Time Problems in High Speed Embedded Microprocessor Systems* application report

### 7.27.2 Trace

The C6655/57 device supports trace. Trace is a debug technology that provides a detailed, historical account of application code execution, timing, and data accesses. Trace collects, compresses, and exports debug information for analysis. Trace works in real-time and does not impact the execution of the system.

For more information on board design guidelines for trace advanced emulation, see the *60-Pin Emulation Header Technical Reference* in “[Related Documentation from Texas Instruments](#)” on page 65.

#### 7.27.2.1 Trace Electrical Data/Timing

**Table 7-89 DSP Trace Switching Characteristics** <sup>(1)</sup>  
 (see [Figure 7-58](#))

No.	Parameter	Min	Max	Unit
1	$t_w(\text{DPnH})$ Pulse duration, DPn/EMUn high detected at 50% Voh	2.4		ns
1	$t_w(\text{DPnH})90\%$ Pulse duration, DPn/EMUn high detected at 90% Voh	1.5		ns
2	$t_w(\text{DPnL})$ Pulse duration, DPn/EMUn low detected at 50% Voh	2.4		ns
2	$t_w(\text{DPnL})10\%$ Pulse duration, DPn/EMUn low detected at 10% Voh	1.5		ns
3	$t_{sko}(\text{DPn})$ Output skew time, time delay difference between DPn/EMUn pins configured as trace	-1	1	ns
	$t_{skp}(\text{DPn})$ Pulse skew, magnitude of difference between high-to-low (tplh) and low-to-high (tplh) propagation delays.		600	ps
	$t_{\sigma\lambda\delta\pi_o}(\text{DPn})$ Output slew rate DPn/EMUn	3.3		V/ns
<b>End of Table 7-89</b>				

1 Over recommended operating conditions.

**Table 7-90 STM Trace Switching Characteristics** <sup>(1)</sup>  
 (see [Figure 7-58](#))

No.	Parameter	Min	Max	Unit
1	$t_w(\text{DPnH})$ Pulse duration, DPn/EMUn high detected at 50% Voh with 60/40 duty cycle	5-1		ns
1	$t_w(\text{DPnH})90\%$ Pulse duration, DPn/EMUn high detected at 90% Voh	3.5		ns
2	$t_w(\text{DPnL})$ Pulse duration, DPn/EMUn low detected at 50% Voh with 60/40 duty cycle	5-1		ns



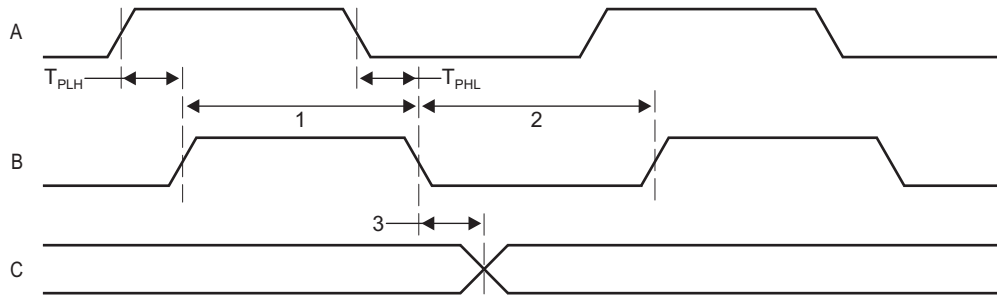
**Table 7-90 STM Trace Switching Characteristics <sup>(1)</sup>**  
(see Figure 7-58)

No.	Parameter	Min	Max	Unit
2	$t_w(\text{DPnL})10\%$ Pulse duration, DPn/EMUn low detected at 10% Voh	3.5		ns
3	$t_{sko}(\text{DPn})$ Output skew time, time delay difference between DPn/EMUn pins configured as trace	-1	1	ns
	$t_{skp}(\text{DPn})$ Pulse skew, magnitude of difference between high-to-low (tphl) and low-to-high (tplh) propagation delays.		1	ns
	$t_{\sigma\lambda\delta\pi_o}(\text{DPn})$ Output slew rate DPn/EMUn	3.3		V/ns

**End of Table 7-90**

1 Over recommended operating conditions.

**Figure 7-58 Trace Timing**



### 7.27.3 IEEE 1149.1 JTAG

The JTAG interface is used to support boundary scan and emulation of the device. The boundary scan supported allows for an asynchronous TRST and only the 5 baseline JTAG signals (e.g., no EMU[1:0]) required for boundary scan. Most interfaces on the device follow the Boundary Scan Test Specification (IEEE1149.1), while all of the SerDes (SRIO and SGMII) support the AC-coupled net test defined in *AC-Coupled Net Test Specification* (IEEE1149.6).

It is expected that all compliant devices are connected through the same JTAG interface, in daisy-chain fashion, in accordance with the specification. The JTAG interface uses 1.8-V LVCMOS buffers, compliant with the *Power Supply Voltage and Interface Standard for Nonterminated Digital Integrated Circuit Specification* (EAI/JESD8-5).

#### 7.27.3.1 IEEE 1149.1 JTAG Compatibility Statement

For maximum reliability, the C6655/57 DSP includes an internal pulldown (IPD) on the TRST pin to ensure that TRST will always be asserted upon power up and the DSP's internal emulation logic will always be properly initialized when this pin is not routed out. JTAG controllers from Texas Instruments actively drive TRST high. However, some third-party JTAG controllers may not drive TRST high but expect the use of an external pullup resistor on TRST. When using this type of JTAG controller, assert TRST to initialize the DSP after powerup and externally drive TRST high before attempting any emulation or boundary scan operations.

#### 7.27.3.2 JTAG Electrical Data/Timing

**Table 7-91 JTAG Test Port Timing Requirements (Part 1 of 2)**  
(see Figure 7-59)

No.	Parameter	Min	Max	Unit
1	$t_c(\text{TCK})$ Cycle time, TCK	34		ns
1a	$t_w(\text{TCKH})$ Pulse duration, TCK high (40% of $t_c$ )	13.6		ns
1b	$t_w(\text{TCKL})$ Pulse duration, TCK low(40% of $t_c$ )	13.6		ns
3	$t_{su}(\text{TDI-TCK})$ input setup time, TDI valid to TCK high	3.4		ns
3	$t_{su}(\text{TMS-TCK})$ input setup time, TMS valid to TCK high	3.4		ns

# TMS320C6655/57

## Fixed and Floating-Point Digital Signal Processor

SPRS814A—August 2012

www.ti.com

**Table 7-91 JTAG Test Port Timing Requirements (Part 2 of 2)**  
(see Figure 7-59)

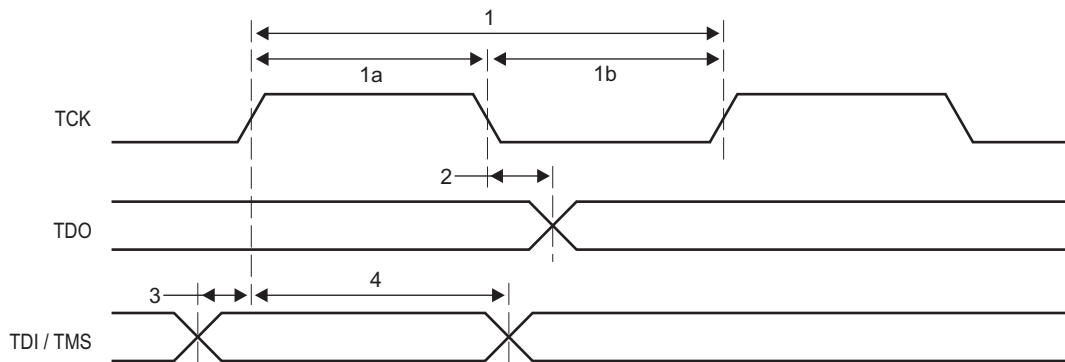
No.		Min	Max	Unit
4	th(TCK-TDI) input hold time, TDI valid from TCK high	17		ns
4	th(TCK-TMS) input hold time, TMS valid from TCK high	17		ns
<b>End of Table 7-91</b>				

**Table 7-92 JTAG Test Port Switching Characteristics <sup>(1)</sup>**  
(see Figure 7-59)

No.	Parameter	Min	Max	Unit
2	$t_{d(TCKL-TDOV)}$ Delay time, TCK low to TDO valid		13.6	ns
<b>End of Table 7-92</b>				

<sup>1</sup> Over recommended operating conditions.

**Figure 7-59 JTAG Test-Port Timing**



## A Revision History

### Revision A (August 2012)

- Added CVDD and SmartReflex voltage parameter in SmartReflex switching table (Page 115)
- Updated Thermal Characteristics data (Page 228)
- Updated McBSP Timing Requirements table (Page 216)
- Removed DDR3 PLL initialization sequence from data manual to the PLL user guide (Page 141)
- Added footnote for the initial CVDD voltage of 1.1 V in the Recommended Operating Conditions table (Page 105)
- Updated EMIF16 CS[5:2] to CE[3:0] (Page 201)
- Added footnote for DDR3 EMIF data in the memory map summary table (Page 25)
- Updated Tracer descriptions across the data manual (Page 21)
- Added clarification for RESETSTATz input current (Page 106)
- Added note for the VCNTLID register that it is available for debug purpose only (Page 118)
- Revised the 16-Bit EMIF Features item (Page 13)
- Updated th(MDCLKH-MDIO) value from 10 ns to 0 ns in MDIO Timing Requirements table (Page 211)
- Updated the description of NAND in the footnote of the memory map summary table (Page 25)
- Updated tw(DPnH) and tw(DPnL) descriptions in Trace Switching Characteristics tables (Page 224)
- Corrected the tw(RXSTOP15) and tw(RXSTOP2) values in the UART Timing Requirements table (Page 199)
- Updated the UPP terminal function type from OZ to IOZ for multiple signal terminals (Page 44)

### Revision 0 (First Issue)

## **B Mechanical Data**

### **B.1 Thermal Data**

Table B-1 shows the thermal resistance characteristics for the PBGA - CZH/GZH mechanical package.

**Table B-1 Thermal Resistance Characteristics (PBGA Package) [CZH/GZH]**

No.		°C/W
1	$R\theta_{JC}$ Junction-to-case	0.284
2	$R\theta_{JB}$ Junction-to-board	4.200
<b>End of Table B-1</b>		

### **B.2 Packaging Information**

The following packaging information reflects the most current released data available for the designated device(s). This data is subject to change without notice and without revision of this document.

**PACKAGING INFORMATION**

Orderable Device	Status (1)	Package Type	Package Drawing	Pins	Package Qty	Eco Plan (2)	Lead/Ball Finish	MSL Peak Temp (3)	Op Temp (°C)	Device Marking (4/5)	Samples
TMS320C6655CZH	ACTIVE	FCBGA	CZH	625	60	Green (RoHS & no Sb/Br)	SNAGCU	Level-3-245C-168 HR		TMS320C6655CZH @2012 TI	<a href="#">Samples</a>
TMS320C6655CZH25	ACTIVE	FCBGA	CZH	625	1	Green (RoHS & no Sb/Br)	SNAGCU	Level-3-245C-168 HR		TMS320C6655CZH @2012 TI 1.25GHZ	<a href="#">Samples</a>
TMS320C6655CZHA	ACTIVE	FCBGA	CZH	625	60	Green (RoHS & no Sb/Br)	SNAGCU	Level-3-245C-168 HR		TMS320C6655CZH @2012 TI A1GHZ	<a href="#">Samples</a>
TMS320C6655CZHA25	ACTIVE	FCBGA	CZH	625	60	Green (RoHS & no Sb/Br)	SNAGCU	Level-3-245C-168 HR		TMS320C6655CZH @2012 TI A1.25GHZ	<a href="#">Samples</a>
TMS320C6655GZHA	ACTIVE	FCBGA	GZH	625	60	TBD	Call TI	Level-3-220C-168 HR		TMS320C6655GZH @2012 TI A1GHZ	<a href="#">Samples</a>
TMS320C6655SCZH	ACTIVE	FCBGA	CZH	625	60	Green (RoHS & no Sb/Br)	SNAGCU	Level-3-245C-168 HR		TMS320C6655SCZH @2012 TI	<a href="#">Samples</a>
TMS320C6657CZH	ACTIVE	FCBGA	CZH	625	60	Green (RoHS & no Sb/Br)	SNAGCU	Level-3-245C-168 HR		TMS320C6657CZH @2012 TI	<a href="#">Samples</a>
TMS320C6657CZH25	ACTIVE	FCBGA	CZH	625	60	Green (RoHS & no Sb/Br)	SNAGCU	Level-3-245C-168 HR		TMS320C6657CZH @2012 TI 1.25GHZ	<a href="#">Samples</a>
TMS320C6657CZH8	ACTIVE	FCBGA	CZH	625	60	Green (RoHS & no Sb/Br)	SNAGCU	Level-3-245C-168 HR		TMS320C6657CZH @2012 TI 850MHZ	<a href="#">Samples</a>
TMS320C6657CZHA	ACTIVE	FCBGA	CZH	625	60	Green (RoHS & no Sb/Br)	SNAGCU	Level-3-245C-168 HR		TMS320C6657CZH @2012 TI A1GHZ	<a href="#">Samples</a>
TMS320C6657CZHA25	ACTIVE	FCBGA	CZH	625	60	Green (RoHS & no Sb/Br)	SNAGCU	Level-3-245C-168 HR		TMS320C6657CZH @2012 TI A1.25GHZ	<a href="#">Samples</a>
TMS320C6657GZHA	ACTIVE	FCBGA	GZH	625	60	TBD	Call TI	Level-3-220C-168 HR		TMS320C6657GZH @2012 TI A1GHZ	<a href="#">Samples</a>
TMS320C6657SCZH	ACTIVE	FCBGA	CZH	625	60	Green (RoHS & no Sb/Br)	SNAGCU	Level-3-245C-168 HR		TMS320C6657SCZH @2012 TI	<a href="#">Samples</a>

(1) The marketing status values are defined as follows:

**ACTIVE:** Product device recommended for new designs.

**LIFEBUY:** TI has announced that the device will be discontinued, and a lifetime-buy period is in effect.

**NRND:** Not recommended for new designs. Device is in production to support existing customers, but TI does not recommend using this part in a new design.

**PREVIEW:** Device has been announced but is not in production. Samples may or may not be available.

**OBSOLETE:** TI has discontinued the production of the device.

(2) Eco Plan - The planned eco-friendly classification: Pb-Free (RoHS), Pb-Free (RoHS Exempt), or Green (RoHS & no Sb/Br) - please check <http://www.ti.com/productcontent> for the latest availability information and additional product content details.

**TBD:** The Pb-Free/Green conversion plan has not been defined.

**Pb-Free (RoHS):** TI's terms "Lead-Free" or "Pb-Free" mean semiconductor products that are compatible with the current RoHS requirements for all 6 substances, including the requirement that lead not exceed 0.1% by weight in homogeneous materials. Where designed to be soldered at high temperatures, TI Pb-Free products are suitable for use in specified lead-free processes.

**Pb-Free (RoHS Exempt):** This component has a RoHS exemption for either 1) lead-based flip-chip solder bumps used between the die and package, or 2) lead-based die adhesive used between the die and leadframe. The component is otherwise considered Pb-Free (RoHS compatible) as defined above.

**Green (RoHS & no Sb/Br):** TI defines "Green" to mean Pb-Free (RoHS compatible), and free of Bromine (Br) and Antimony (Sb) based flame retardants (Br or Sb do not exceed 0.1% by weight in homogeneous material)

(3) MSL, Peak Temp. -- The Moisture Sensitivity Level rating according to the JEDEC industry standard classifications, and peak solder temperature.

(4) There may be additional marking, which relates to the logo, the lot trace code information, or the environmental category on the device.

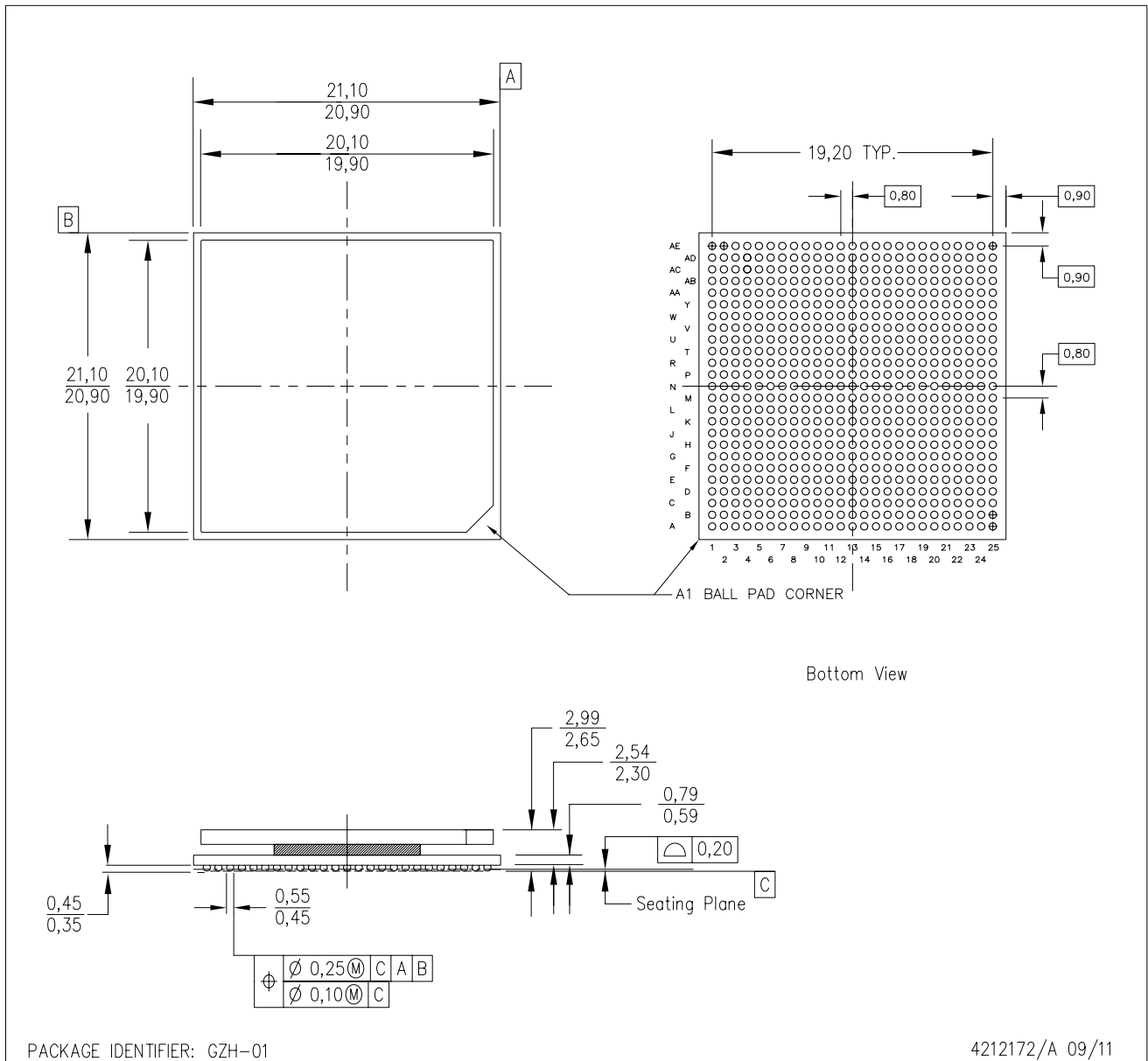
(5) Multiple Device Markings will be inside parentheses. Only one Device Marking contained in parentheses and separated by a "--" will appear on a device. If a line is indented then it is a continuation of the previous line and the two combined represent the entire Device Marking for that device.

**Important Information and Disclaimer:**The information provided on this page represents TI's knowledge and belief as of the date that it is provided. TI bases its knowledge and belief on information provided by third parties, and makes no representation or warranty as to the accuracy of such information. Efforts are underway to better integrate information from third parties. TI has taken and continues to take reasonable steps to provide representative and accurate information but may not have conducted destructive testing or chemical analysis on incoming materials and chemicals. TI and TI suppliers consider certain information to be proprietary, and thus CAS numbers and other limited information may not be available for release.

In no event shall TI's liability arising out of such information exceed the total purchase price of the TI part(s) at issue in this document sold by TI to Customer on an annual basis.

GZH (S-PBGA-N625)

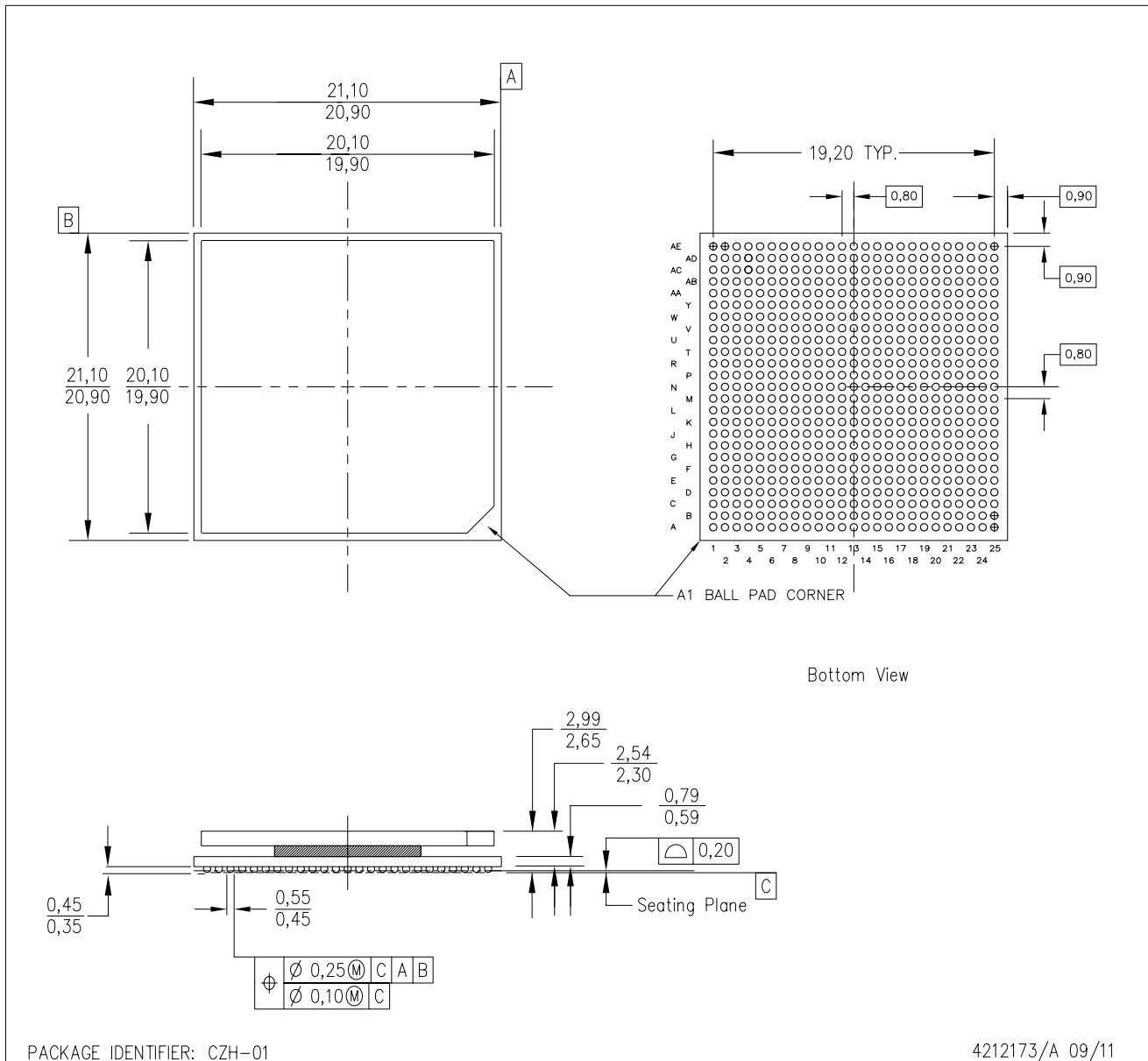
PLASTIC BALL GRID ARRAY



- NOTES:
- A. All linear dimensions are in millimeters. Dimensioning and tolerancing per ASME Y14.5M-1994.
  - B. This drawing is subject to change without notice.
  - C. Flip chip application only.
  - D. Thermally enhanced plastic package with heat slug (HSL).

CZH (S-PBGA-N625)

PLASTIC BALL GRID ARRAY



- NOTES:
- A. All linear dimensions are in millimeters. Dimensioning and tolerancing per ASME Y14.5M-1994.
  - B. This drawing is subject to change without notice.
  - C. Flip chip application only.
  - D. Thermally enhanced plastic package with heat slug (HSL).
  - E. Pb-free die bump and solder ball.



## IMPORTANT NOTICE

Texas Instruments Incorporated and its subsidiaries (TI) reserve the right to make corrections, enhancements, improvements and other changes to its semiconductor products and services per JESD46, latest issue, and to discontinue any product or service per JESD48, latest issue. Buyers should obtain the latest relevant information before placing orders and should verify that such information is current and complete. All semiconductor products (also referred to herein as "components") are sold subject to TI's terms and conditions of sale supplied at the time of order acknowledgment.

TI warrants performance of its components to the specifications applicable at the time of sale, in accordance with the warranty in TI's terms and conditions of sale of semiconductor products. Testing and other quality control techniques are used to the extent TI deems necessary to support this warranty. Except where mandated by applicable law, testing of all parameters of each component is not necessarily performed.

TI assumes no liability for applications assistance or the design of Buyers' products. Buyers are responsible for their products and applications using TI components. To minimize the risks associated with Buyers' products and applications, Buyers should provide adequate design and operating safeguards.

TI does not warrant or represent that any license, either express or implied, is granted under any patent right, copyright, mask work right, or other intellectual property right relating to any combination, machine, or process in which TI components or services are used. Information published by TI regarding third-party products or services does not constitute a license to use such products or services or a warranty or endorsement thereof. Use of such information may require a license from a third party under the patents or other intellectual property of the third party, or a license from TI under the patents or other intellectual property of TI.

Reproduction of significant portions of TI information in TI data books or data sheets is permissible only if reproduction is without alteration and is accompanied by all associated warranties, conditions, limitations, and notices. TI is not responsible or liable for such altered documentation. Information of third parties may be subject to additional restrictions.

Resale of TI components or services with statements different from or beyond the parameters stated by TI for that component or service voids all express and any implied warranties for the associated TI component or service and is an unfair and deceptive business practice. TI is not responsible or liable for any such statements.

Buyer acknowledges and agrees that it is solely responsible for compliance with all legal, regulatory and safety-related requirements concerning its products, and any use of TI components in its applications, notwithstanding any applications-related information or support that may be provided by TI. Buyer represents and agrees that it has all the necessary expertise to create and implement safeguards which anticipate dangerous consequences of failures, monitor failures and their consequences, lessen the likelihood of failures that might cause harm and take appropriate remedial actions. Buyer will fully indemnify TI and its representatives against any damages arising out of the use of any TI components in safety-critical applications.

In some cases, TI components may be promoted specifically to facilitate safety-related applications. With such components, TI's goal is to help enable customers to design and create their own end-product solutions that meet applicable functional safety standards and requirements. Nonetheless, such components are subject to these terms.

No TI components are authorized for use in FDA Class III (or similar life-critical medical equipment) unless authorized officers of the parties have executed a special agreement specifically governing such use.

Only those TI components which TI has specifically designated as military grade or "enhanced plastic" are designed and intended for use in military/aerospace applications or environments. Buyer acknowledges and agrees that any military or aerospace use of TI components which have **not** been so designated is solely at the Buyer's risk, and that Buyer is solely responsible for compliance with all legal and regulatory requirements in connection with such use.

TI has specifically designated certain components as meeting ISO/TS16949 requirements, mainly for automotive use. In any case of use of non-designated products, TI will not be responsible for any failure to meet ISO/TS16949.

### Products

Audio	<a href="http://www.ti.com/audio">www.ti.com/audio</a>
Amplifiers	<a href="http://amplifier.ti.com">amplifier.ti.com</a>
Data Converters	<a href="http://dataconverter.ti.com">dataconverter.ti.com</a>
DLP® Products	<a href="http://www.dlp.com">www.dlp.com</a>
DSP	<a href="http://dsp.ti.com">dsp.ti.com</a>
Clocks and Timers	<a href="http://www.ti.com/clocks">www.ti.com/clocks</a>
Interface	<a href="http://interface.ti.com">interface.ti.com</a>
Logic	<a href="http://logic.ti.com">logic.ti.com</a>
Power Mgmt	<a href="http://power.ti.com">power.ti.com</a>
Microcontrollers	<a href="http://microcontroller.ti.com">microcontroller.ti.com</a>
RFID	<a href="http://www.ti-rfid.com">www.ti-rfid.com</a>
OMAP Applications Processors	<a href="http://www.ti.com/omap">www.ti.com/omap</a>
Wireless Connectivity	<a href="http://www.ti.com/wirelessconnectivity">www.ti.com/wirelessconnectivity</a>

### Applications

Automotive and Transportation	<a href="http://www.ti.com/automotive">www.ti.com/automotive</a>
Communications and Telecom	<a href="http://www.ti.com/communications">www.ti.com/communications</a>
Computers and Peripherals	<a href="http://www.ti.com/computers">www.ti.com/computers</a>
Consumer Electronics	<a href="http://www.ti.com/consumer-apps">www.ti.com/consumer-apps</a>
Energy and Lighting	<a href="http://www.ti.com/energy">www.ti.com/energy</a>
Industrial	<a href="http://www.ti.com/industrial">www.ti.com/industrial</a>
Medical	<a href="http://www.ti.com/medical">www.ti.com/medical</a>
Security	<a href="http://www.ti.com/security">www.ti.com/security</a>
Space, Avionics and Defense	<a href="http://www.ti.com/space-avionics-defense">www.ti.com/space-avionics-defense</a>
Video and Imaging	<a href="http://www.ti.com/video">www.ti.com/video</a>

### TI E2E Community

[e2e.ti.com](http://e2e.ti.com)