

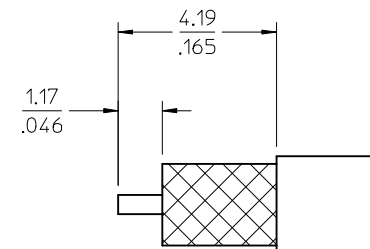
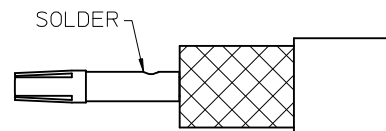
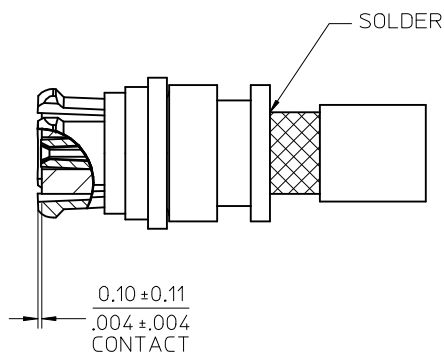
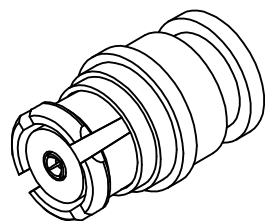
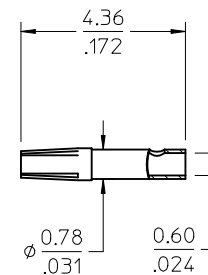
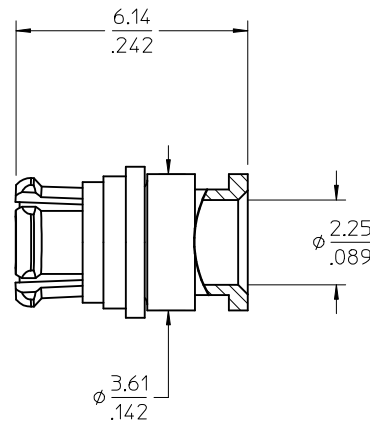
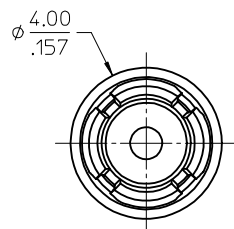
MATERIALS AND FINISHES

BODY: BERYLLIUM COPPER
PLATED GOLD

CONTACT: BERYLLIUM COPPER
PLATED GOLD

INSULATOR: TEFLON

EMI RING: BRASS
PLATED GOLD



RG-405 (.086)
TF086SC-2401

RECOMMENDED STRIP DIMENSIONS

73415-3741	ONE PER BAG
73415-3740	TRAY
PART NO.	PACKAGING

PS-89675-3320	ELEC/MECH PERFORMANCE
MIL-STD-348A, FIG. 326.1	INTERFACE
SPECIFICATION	DESCRIPTION

CHG: UPDATED TO NEW DESIGN	DESCRIPTION
EC NO: URF2014-0237	2013/10/17
DRWN: JLEE02	2013/10/16
CHKD: AZR	2013/11/27
APPR: JWIENER	

QUALITY SYMBOLS	GENERAL TOLERANCES (UNLESS SPECIFIED)
▽=0	mm INCH
▽=0	4 PLACES ± --- ± ---
	3 PLACES ± --- ± ---
	2 PLACES ± --- ± ---
	1 PLACE ± --- ± ---
	ANGULAR ± 2 °
	DRAFT WHERE APPLICABLE MUST REMAIN WITHIN DIMENSIONS

DIMENSION STYLE	SCALE	DESIGN UNITS	THIRD ANGLE PROJECTION
MM/IN		INCH	
DRAWN BY	DATE	TITLE	
AROBERTSON	2010/09/29	SMP JACK STRAIGHT 50 OHM TF086SC-2401 CABLE SMP-JC EWR-1350	
CHECKED BY	DATE		
SSS	2010/09/29		
APPROVED BY	DATE		
JWIENER	2010/09/30		
MATERIAL NO.	DOCUMENT NO.		
SEE TABLE	SD-73415-374		
SIZE	THIS DRAWING CONTAINS INFORMATION THAT IS PROPRIETARY TO MOLEX INCORPORATED AND SHOULD NOT BE USED WITHOUT WRITTEN PERMISSION		

SHEET NO.	1 OF 1
-----------	--------