

Fig. 1

- Series 3XX are available with straight and right angle solder tails.
- Series 350 & 399...009 use MM# 3404 & 5011 pins. (See pages 170 & 172 for details)
- Series 310 & 399...003 use MM# 1001 & 1103 receptacles (see pages 134 & 135 for details)
- Receptacles use Hi-Rel, 4-finger #30 contact rated at 3 amps.
- Hi-Temp thermoplastic insulator available upon request.



Ordering Information

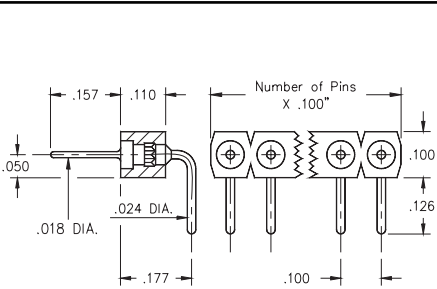


Fig. 2

Fig. 1	Series 350...006	Straight Pin Header
	350-XX-1__-00-006000 Specify # of pins → 01-64	
Fig. 2	Series 399...009	Right Angle Pin Header
	399-XX-1__-10-009000 Specify # of pins → 01-64	

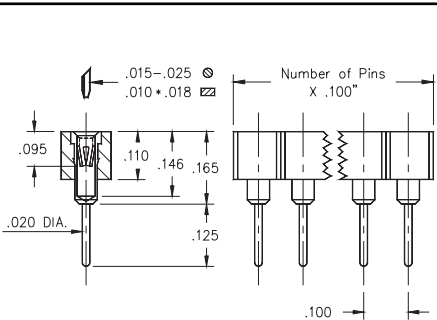


Fig. 3



XX= Plating Code
See Below

*For RoHS compliance, select \diamond plating code.
For the gold option (XX=10) also change part number from 3XX-XX-1XX-XX-00X000 to 3XX-10-1XX-XX-00X100*

SPECIFY PLATING CODE XX=	10 \diamond	90	40 \diamond	
Pin Plating	10 μ " Au	200 μ " Sn/Pb	200 μ " Sn	

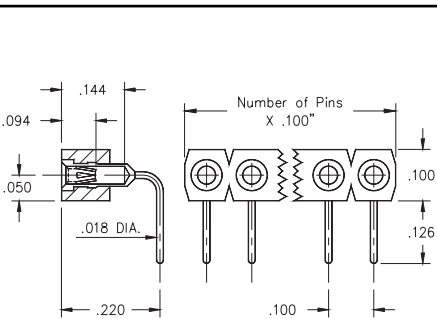


Fig. 4



XX= Plating Code
See Below

*For RoHS compliance, select \diamond plating code.
For the all gold option (XX=13) also change part number from 3XX-XX-1XX-XX-00X000 to 3XX-13-1XX-XX-00X100*

SPECIFY PLATING CODE XX=	13 \diamond	91	93	99	41 \diamond	43 \diamond	44 \diamond
Sleeve (Pin)	10 μ " Au	200 μ " Sn/Pb	200 μ " Sn/Pb	200 μ " Sn/Pb	200 μ " Sn	200 μ " Sn	200 μ " Sn
Contact (Clip)	30 μ " Au	10 μ " Au	30 μ " Au	200 μ " Sn/Pb	10 μ " Au	30 μ " Au	200 μ " Sn