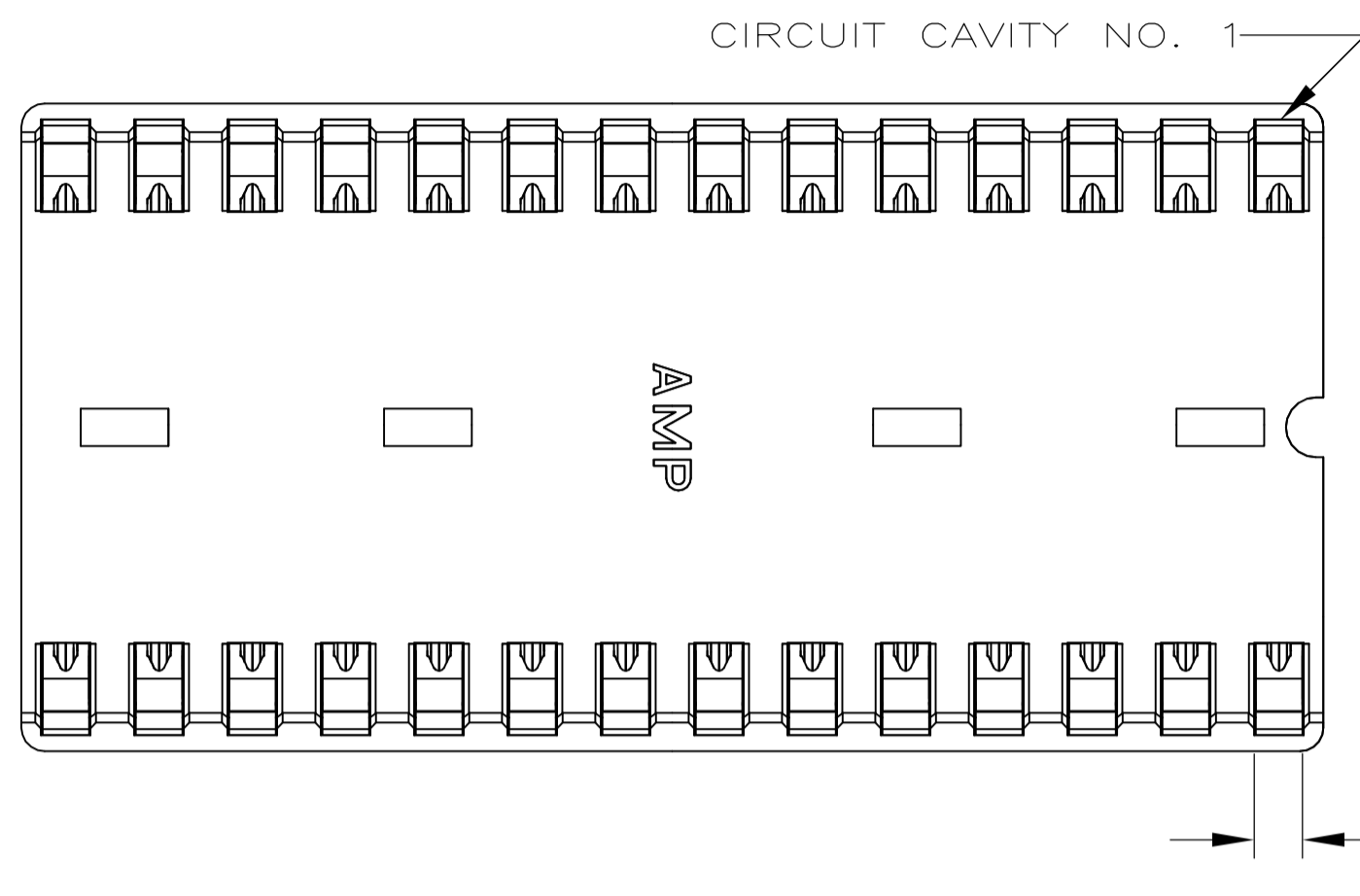
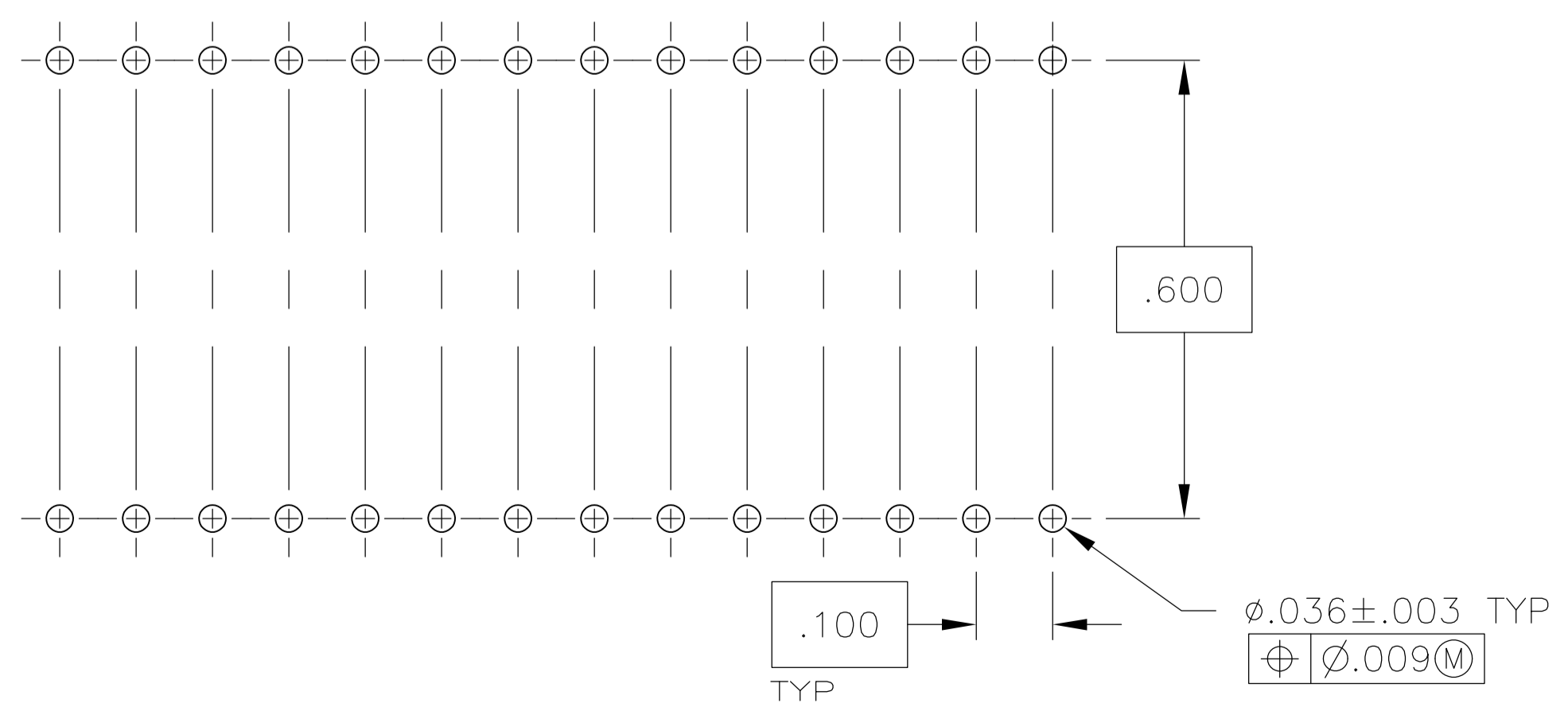
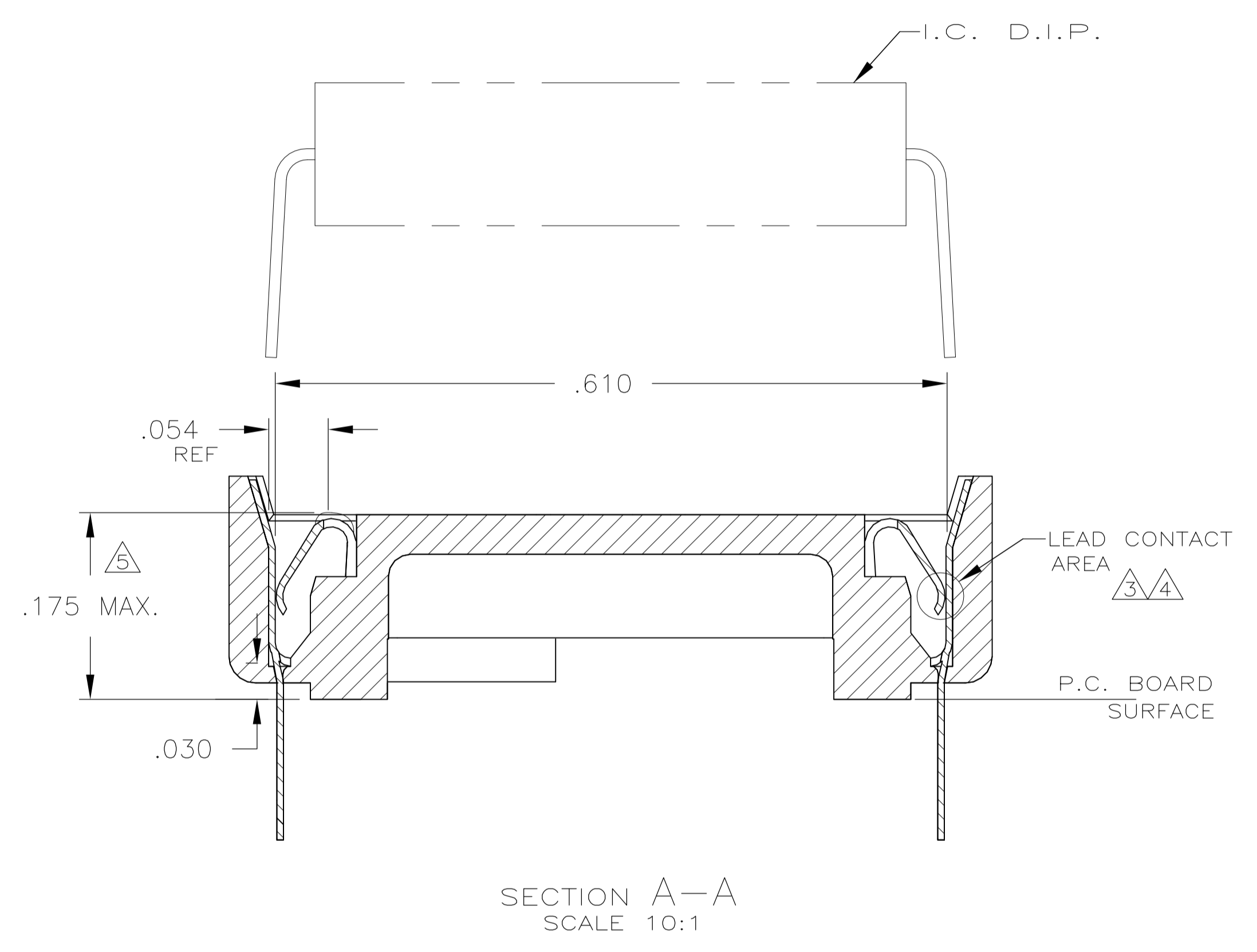
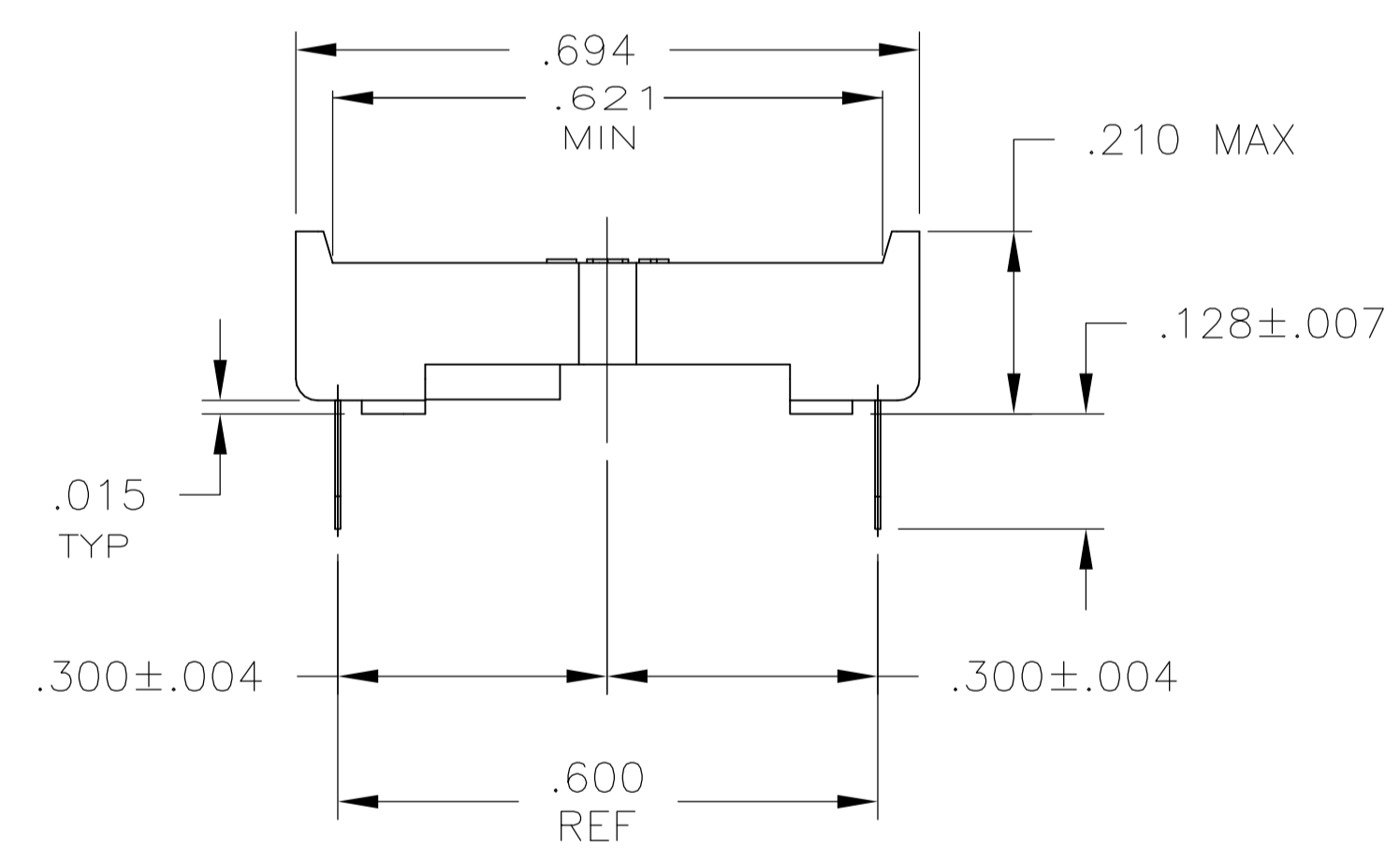
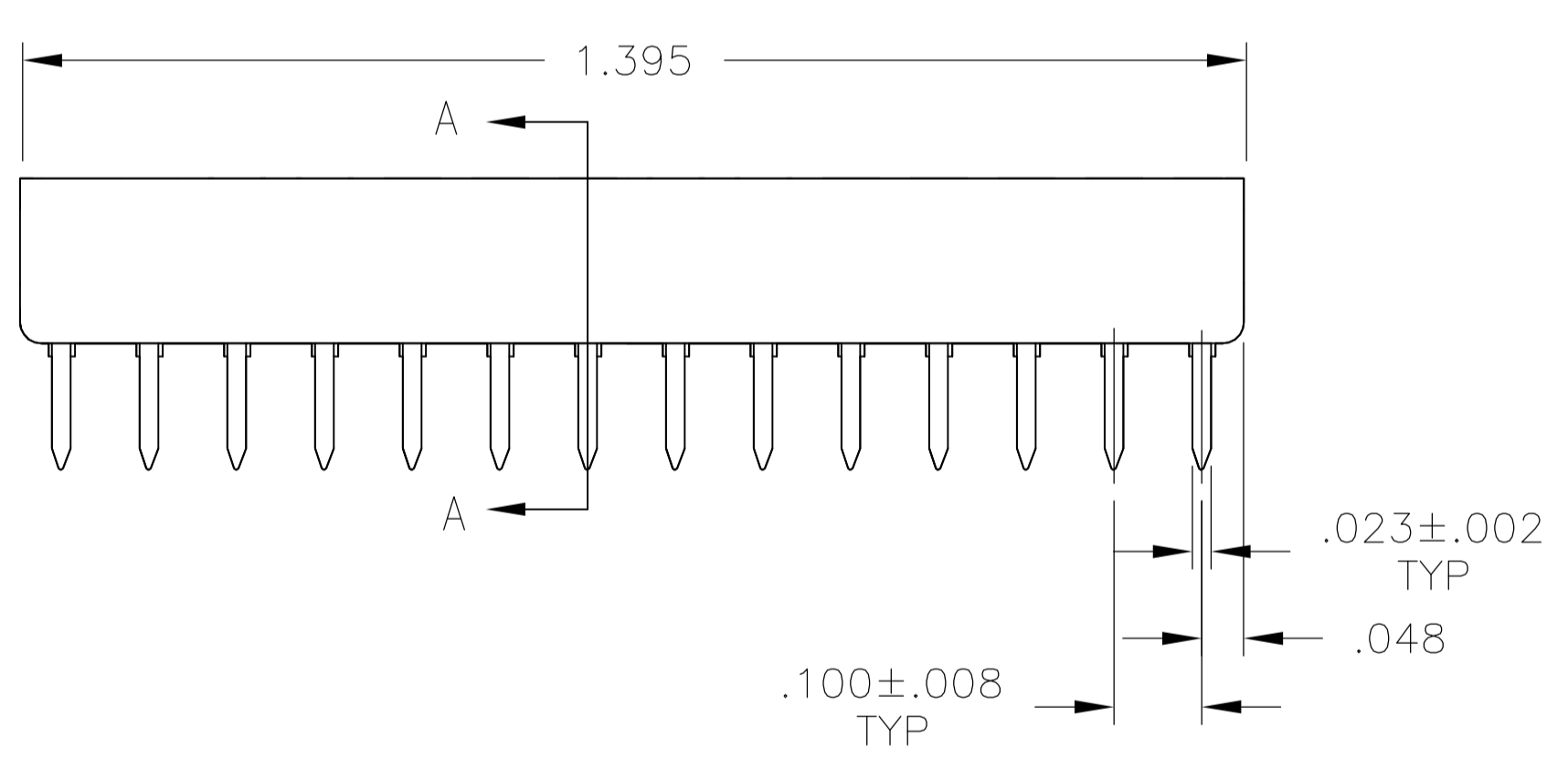


| LOC |     | DIST                      |         | REVISIONS |      |  |  |
|-----|-----|---------------------------|---------|-----------|------|--|--|
| P   | LTR | DESCRIPTION               | DATE    | DN        | APVD |  |  |
| AD1 |     | REVISED PER ECO-11-004917 | 11MAR11 | RK        | HMR  |  |  |



1. RECEPTACLE ACCEPTS A .008-.014 THICK I.C. LEAD.
2. TUBE LOADED FOR AUTOMATIC INSERTION.
3. TWO .000030 MIN THK. GOLD STRIPES IN CONTACT AREA WITH TIN-LEAD (93/7) ON CONTACT LEGS, BALANCE OF CONTACT NICKEL PLATED.
4. TWO .000015 MIN THK. GOLD STRIPES IN CONTACT AREA WITH TIN-LEAD (93/7) ON CONTACT LEGS, BALANCE OF CONTACT NICKEL PLATED.
5. MAXIMUM DIMENSION FOR I.C. SEATING PLANE.
6. SPECIAL PACKAGING.



RECOMMENDED MOUNTING HOLE PATTERN  
SCALE 4:1

| SUPSD BY | CONTACT FINISH | CONTACT MAT'L      | HOUSING MATERIAL                         | PART NO.   |
|----------|----------------|--------------------|--|------------|
| 390262-2 | TINNED         | BE.CU. .006 THK    | GLASS-FILLED THERMOPLASTIC, 94V-0, BLACK | 5-640362-1 |
| 390262-2 | TINNED         | PHOS.BRZ. .006 THK | GLASS-FILLED THERMOPLASTIC, 94V-0, BLACK | 2-640362-4 |
| 390262-2 | TINNED         | BE.CU. .006 THK    | GLASS-FILLED THERMOPLASTIC, 94V-0, BLACK | 2-640362-3 |
| 390262-2 | TINNED         | BE.CU. .006 THK    | GLASS-FILLED THERMOPLASTIC, 94V-0, BLACK | 2-640362-1 |

THIS DRAWING IS A CONTROLLED DOCUMENT.

|                    |  |                      |                           |                   |
|--------------------|--|----------------------|---------------------------|-------------------|
| DIMENSIONS: INCHES | TOLERANCES UNLESS OTHERWISE SPECIFIED: | DIN M. CYRUS 2-20-87 | APVD R. MILLER 2-20-87    | NAME              |
| 0. PLC ± -         | 1. PLC ± -                             | 2. PLC ± -           | 3. PLC ± .005             | 4. PLC ANGLES ± - |
| MATERIAL SEE TABLE | FINISH SEE TABLE                       | WEIGHT               | SIZE A1                   | CAGE CODE 00779   |
|                    |  | DRAWING NO. 108-1066 | APPLICATION SPEC 114-1049 | RESTRICTED TO     |
|                    |  | CUSTOMER DRAWING     | SCALE 5:1                 | SHEET 1 OF 1      |

**STE** TE Connectivity  
SOCKET ASSY, DIP, 28 POS, DIPLOMATE DL