

**CERTI-CRIMP II SAHT**

Standard Straight Action Hand Tool Design  
Widely used in the Aircraft and Military industries

*Image representative of type only*

**Features:**

Fixed dies  
Straight action jaw closure  
Ratchet mechanism ensures complete crimp cycle  
Emergency only ratchet release  
Terminal/wire positioning aids & Ins. adjustment on most tools  
Ergonomic non-slip handles  
Approximate weight 0.59 kg (1.3 lbs)



Part Number	Description	mm <sup>2</sup> (AWG) or other
91572-1	AMP CT 2.0 Receptacle	0.12 - 0.4 [26-22]
91595-1	AMP DYNAMIC D-2	0.4 - 1.0 [22-18]
91559-1	AMP DYNAMIC D-3	0.2 - 0.6 [24-20]
91558-1	AMP DYNAMIC D-3	0.6 - 1.5 [20-16]
91537-1	AMP MOD II FFC	0.15 - 0.4 [26-22]
91516-1	AMP MOD IV	0.05 - 0.6 [30-20]
91549-1	AMPLIMITE HD-20	0.08 - 0.22 [28-24]
91503-1	AMPLIMITE HD-20	0.08 - 0.6 [28-20]
91548-1	AMPLIMITE HD-20	0.08 - 0.6 [28-20] □ No Ins. Crimp
91525-1	AMPLIMITE HD-20	0.15 - 0.4 [26-22]
91513-1	AMPLIMITE HD-20	0.4 - 1.0 [22-18] □ No Ins. Crimp
91520-1	AMPLIMITE HD-22	0.08 - 0.4 [28-22]
91512-1	Commercial MATE-N-LOK	0.2 - 0.96 [24-18] Ins. Ø1.52-2.54mm
91504-1	Commercial MATE-N-LOK	0.6 - 2.5 [20-14]
1901963-1	MATE-N-LOK 3.5 (.140)	0.5 - 2.1 [20-14]
91502-1	Micro MATE-N-LOK	0.05 - 0.12 [30-26]
91501-1	Micro MATE-N-LOK	0.2 - 0.6 [24-20]
91540-1	Mini Tandem-Spring Pin	0.03 - 0.4 [32-22]
91536-1	Mini-Universal MATE-N-LOK "F" Ins. Crimp	[20-16]
91522-1	Mini-Universal MATE-N-LOK	0.4 - 1.0 [22-18]
91594-1	Mini-Universal MATE-N-LOK, type "O" Ins. Crimp	0.5 - 1.42 [20-16]
91577-1	MULTILOCK 040	0.4 - 0.6 [22-20]
91588-1	MULTILOCK 040 MkII	0.6 - 1.0 [20-18]
91598-1	SL 156	0.2 - 0.96 [24-18] Ins. Ø1.09 - 2.54mm
91597-1	SL 156	0.2 - 0.96 [24-18] Ins. Ø1.52 - 2.54
91542-1	TYPE III+	0.2 - 0.6 [24-20]
91505-1	TYPE III+	0.2 - 1.42 [24-16] □ Ins. Ø1.14-2.54mm
91523-1	TYPE III+	0.2 - 1.5 [24-16] □ Ins. Ø2.03-2.54mm
91521-1	TYPE III+	1.0 - 2.5 [18-14]
91515-1	TYPE III+; Type VI; Commercial MATE-N-LOK	0.05 - 0.6 [30-20]
91510-1	Universal MATE-N-LOK	0.2 - 0.96 [24-18]
91506-1	Universal MATE-N-LOK	1.2 - 2.1 [16-14] Ins. Ø3.30-5.08mm

## CERTI-CRIMP II SAHT - Short Handle

Ideal for working in confined spaces  
 Widely used in the Aircraft and Military industries

*Image representative of type only*

### Features:

- Fixed dies
- Straight action jaw closure
- Ratchet mechanism ensures complete crimp cycle
- Emergency only ratchet release
- Terminal/wire positioning aids & Ins. adjustment on most tools
- Ergonomic non-slip handles
- Approximate weight 0.5 kg (1.1 lbs)



Part Number	Description	mm <sup>2</sup> (AWG) or other
1901611-2	PIDG STRATO-THERM Terminals & Splices	0.2 - 0.6 [24-20]
1901600-2	PIDG STRATO-THERM Terminals & Splices	1.0 - 1.5 [18-16]

## CERTI-CRIMP II SAHT - Long Handle

Low handle force for ease of operation  
 Widely used in the Aircraft and Military industries

*Image representative of type only*

### Features:

- Fixed dies
- Straight action jaw closure
- Ratchet mechanism ensures complete crimp cycle
- Emergency only ratchet release
- Terminal/wire positioning aids & Ins. adjustment on most tools
- Ergonomic non-slip handles
- Approximate weight 0.59 kg (1.3 lbs)



Part Number	Description	mm <sup>2</sup> (AWG) or other
1901600-1	PIDG STRATO-THERM Terminals & Splices	1.0 - 1.5 [18-16]
1901611-1	PIDG STRATO-THERM Terminals & Splices	0.2 - 0.6 [24-20]

## CERTI-CRIMP II SAHT - Head Assy

Head only for use with Power Assist options

*Image representative of type only*

### Features:

Heads can be removed from Hand Tools, or are also available as a [-3] option.

Example 91500-1 CERTI-CRIMP II SAHT; the head can be removed from the handles and used along with this adapter on the Electric Terminator . Alternatively 91500-3 (head only) is also available.

Use with:

BT 3500 Battery-Hydraulic Hand Tools:

2-2031400-1 + CCII Adapter 2031480-1 - EMEA

or

3-2031400-1 + CCII Adapter 2031480-1 - UK

1583527-1 Micro Pneumatic Adapter

1213860-1 Adapter Electric Terminator EU

see Power Assist section for more information

## Double Action Hand Tool

Note: The approvals shown against the tools listed are only applicable when using terminals and wires recommended for the relevant industry.

*Image representative of type only*

Widely used in Aircraft and Military applications

### Features:

Fixed dies

Ratchet mechanism ensures complete crimp cycle

Emergency only ratchet release

Terminal/wire positioning aids & Ins. adjustment on many tools

Ergonomic non-slip handles

Approximate weight 0.54 kg (1.2 lbs)



Part Number	Description	mm <sup>2</sup> (AWG) or other
45216	PIDG Closed End Splice	1.0 - 1.5 [18-16]
47386	PIDG & PLASTI-GRIP Terminals; PIDG Splices Standard tool for GB Railways - Qualified; Mil-T-7928/7; LUL RSE 024 pt6 & EE6161 Marks the applied product with a one dot indent code.	0.4 - 1.5 [22-16]
47386-5	PIDG & PLASTI-GRIP Terminals; PIDG Splices French Special - Qualified; Mil-T-7928 - AMP specified level Marks the applied product with a one dot indent code. Includes French Instruction Sheet	0.4 - 1.5 [22-16]
47387	PIDG & PLASTI-GRIP Terminals; PIDG Splices Standard tool for GB Railways - Qualified; Mil-T-7928; LUL RSE 024 pt6 & EE6161 Marks the applied product with a two dot indent code.	1.25 - 2.0 [16-14] □ 0.6 - 1.5 [20-16] HD
47386-4	PIDG & PLASTI-GRIP Terminals; PIDG Splices & FASTON EMEA Special - Qualified; Mil-T-7928 - AMP specified level for Ringtongues only Marks the applied product with a one dot indent code.	0.4 - 1.5 [22-16]
47387-7	PIDG & PLASTI-GRIP Terminals; PIDG Splices & FASTON EMEA Special - Qualified; Mil-T-7928 - AMP specified level for Ring Tongues only Marks the applied product with a two dot indent code.	1.5 - 2.5 [16-14] □ 0.6 - 1.5 [20-16] HD
90035-3	PIDG FASTON - Special GB Railways Tool Qualified; LUL RSE 024 pt6 & EE6161	0.4 - 1.0 [22-18]
90009-8	PIDG FASTON - Special GB Railways Tool Qualified; LUL RSE 024 pt6 & EE6161	1.5 - 2.5 [16-14]
482930-1	Special French tool for PIDG FASTON 2.8 (.110) with crimp orientation at 90° Marks the applied product with a one dot indent code.	0.15 - 0.4 [26-22]
47907-1	PIDG Terminals & Splices	0.2 - 0.56 [24-20]
46121	PIDG Terminals & Splices; PLASTI-GRIP Butt Splices Marks the applied product with a one dot indent code	0.15 - 0.4 [26-22]
47304	PIDG Terminals & Splices; PLASTI-GRIP Butt Splices for thin wall insulation Marks the applied product with a one dot indent code	0.15 - 0.4 [26-22] thin wall insulation
525690	Special GB Aerospace & MOD PIDG & PLASTI-GRIP Ring Tongue Tool - approved DEF. STAN. 59-71 (Pt. 1). Equivalent to 47386 but has special retaining pins/rings to reduce the risk of tool parts falling off whilst building and maintaining aircraft.	0.6 - 1.0 [20-18]
525691	Special GB Aerospace PIDG & PLASTI-GRIP Ring Tongue Tool. Equivalent to 47387 but has special retaining pins/rings to reduce the risk of tool parts falling off whilst building and maintaining aircraft.	1.25 - 2.0 [16-14]
753786-1	POSITIVE LOCK 4.8 [.187] Mk II Receptacle	0.70 - 2.08 [20-14]
753815-1	POSITIVE LOCK 6.3 [.250] Mk II Tablock Flag Receptacle	2.0 - 3.37 [14-12]
69363	SOLISTRAND Terminals & Splices - Standard Tool. Qualified; Mil-T-7928; LUL RSE 024 pt6 & EE6161	0.15 - 0.6 [26-20]
49935	SOLISTRAND Terminals & Splices Qualified; Mil-T-7928; LUL RSE 024 pt6 & EE6161	0.4 - 6.0 [22-10]
525693	Special tool for SOLISTRAND Terminals & Splices (GB) Equivalent to 49935 but has special retaining pins/rings to reduce the risk of tool parts falling off whilst building and maintaining aircraft.	0.4 - 6.0 [22-10]
49592	SOLISTRAND Terminals & Splices Qualified; Mil-T-7928; LUL RSE 024 pt6 & EE6161	2.5 - 4.0 [14-12]
46447	SOLISTRAND STRATO-THERM High Temp & Heat Resistant Terminals & Splices	0.4 - 6.0 [22-10]
46673	STRATO-THERM Uninsulated Terminals & Splices	0.4 - 1.5 [22-16]
46673-1	STRATO-THERM Uninsulated Terminals & Splices [thin wall cable]	0.4 - 1.5 [22-16] □ [thin wall cable]

where listed, only popular tools show - please use our online search for the latest information:

<http://www.tooling.tycoelectronics.com/europe/Handtools.asp>

## Adapter - Double Action Hand Tool to 626 Pneumatic

1213563-1 - Adapter only

### Features:

Heads can be removed from Hand Tools, example:  
the Handles from 47386 can be removed and the head used with  
this Adapter (includes cam).

Also required:

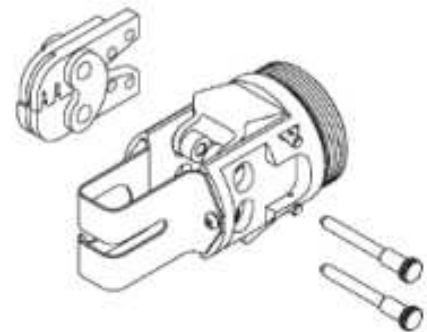
Hand held power unit 189721-1

or

Foot actuated Power Unit 189722-1

for more information, please see the Power Assist section

*Image representative of type only*



## C-Head SAHT

69710-1 - Base Tool without Die-set

Widely used in Aircraft and Military applications

Can be used with all C-Head SAHT Dies

### Features:

Interchangeable Dies

Straight action jaw closure

Ratchet mechanism ensures complete crimp cycle

Emergency only ratchet release

Approximate weight 0.86 kg (1.9 lbs)

*Image representative of type only*



## C-Head SAHT - LD

1901260-1 Base Tool without Die-set

A light duty alternative to 69710-1

Can be used with all C-Head SAHT Dies EXCEPT:

- Die-set - C-Head SAHT - HD
- Through Splice applicators

### Features:

Interchangeable Dies

Straight action jaw closure

Ratchet mechanism ensures complete crimp cycle

Emergency only ratchet release

Ergonomic non-slip handles

Approximate weight 0.5 kg (1.1 lbs)

*Image representative of type only*



## Die-set - C-Head SAHT

A range of Die-sets for many premium crimp applications

### Features:

Use in:

Hand Tool Frame 69710-1

Hand Tool Frame 1901260-1 (see restrictions)

Power Assist options:

BT 3500 Battery-Hydraulic Hand Tools:

2-2031400-1 + C-Head SAHT Adapter 2119810-1 - EMEA

or

3-2031400-1 + C-Head SAHT Adapter 2119810-1 - UK

1901556-1 Adapter Electric Terminator EU

1-528051-8 Adapter Bench Press AT-SC

*Image representative of type only*



For more information see the Power Assist section

Part Number	Description	mm <sup>2</sup> (AWG) or other
58212-1	AMPLIMITE	RG 142, 142A, 142B
576720	PIDG STRATO-THERM Terminals with PTFE or PEEK for thin-wall Insulation	0.5 [20]
576715	PIDG STRATO-THERM Terminals with PTFE or PEEK for thin-wall Insulation	1.0 [18]
576714	PIDG STRATO-THERM Terminals with PTFE or PEEK for thin-wall Insulation	1.5 [16]
576711	PIDG STRATO-THERM Terminals; PTFE, Nylon & PEEK for thin-wall Insulation	0.2 - 0.4 [24-22]
47807-1	PIDG, PLASTI-GRIP Terminals & Splices	1.5 - 2.5 [16-14]
47806-2	PIDG, PLASTI-GRIP, Terminals & Splices	0.4 - 1.5 [22-16]
1-539634-9	Pin / Socket size 8	Gore Cable Type: □GSC-03-81748-00

## Die-set - C-Head SAHT - HD

A range of Heavy Duty Die-sets for many premium crimp applications

### Features:

Use in:

Hand Tool Frame 69710-1

Power Assist options:

1901556-1 Adapter Electric Terminator EU

1-528051-8 Adapter Bench Press AT-SC

*Image representative of type only*



For more information see the Power Assist section

Part Number	Description	mm <sup>2</sup> (AWG) or other
59993-1	AMPLIMITE	8 [10]
69735	PIDG STRATO-THERM Terminals & Splices with PTFE Insulation	4.0 - 6.0 [12-10]
576716	PIDG STRATO-THERM Terminals with PTFE or PEEK for thin-wall Insulation	2.5 [14]
576742	PIDG STRATO-THERM Terminals with PTFE or PEEK for thin-wall Insulation	4.0 [12]
576723	PIDG STRATO-THERM Terminals with PTFE or PEEK for thin-wall Insulation	6.0 [10]
47808-6	PIDG, PLASTI-GRIP Terminals & Splices	4.0 - 6.0 [12-10]
90145-1	TYPE XII Contact	2.5 - 4.0 [14-12]
90140-1	TYPE XII Contact	6.0 - 10.0 [10-8]
58380-1	Universal MATE-N-LOK	3.0 [12]
58380-2	Universal MATE-N-LOK	5.0 [10]

## Heavy Head Hand Tool

Note: The specifications shown against the tools listed are only applicable when using terminals recommended for the relevant industry  
Widely used in Aircraft and Military applications

*Image representative of type only*

### Features:

Fixed dies  
Straight action jaw closure  
Ratchet mechanism ensures complete crimp cycle  
Emergency only ratchet release  
Terminal/wire positioning aids & Ins. adjustment on most tools  
Approximate weight 0.95 kg (2.1 lbs)



Part Number	Description	mm <sup>2</sup> (AWG) or other
234170-1	AMP DYNAMIC D-5	1.5 - 2.5 [16-14]
234171-1	AMP DYNAMIC D-5	4.0 - 6.0 [12-10]
1366044-1	AMP DYNAMIC D-5 Receptacle	8.0 [10]
90246-1	PIDG FASTON - Standard tool	2.5 - 4.0 [14-12]
90276-2	PIDG FASTON Qualified; LUL RSE 024 pt6 & EE6161	4.0 - 6.0 [12-10] □ 1.5 - 2.5 [16-14] HD
576778	Special GB Aerospace tool for PIDG STRATO-THERM Ring Tongue Terminals, PTFE, Nylon & PEEK for thin-wall Insulation Qualified to BS 4G178	0.2 - 0.4 [24-22]
484364-1	PIDG STRATO-THERM Terminals & Splices	1.0 [18]
576782	Special GB Aerospace tool for PIDG STRATO-THERM Terminals with PTFE or PEEK for thin-wall Insulation Qualified to BS 4G178	2.5 [14]
576783	Special GB Aerospace tool for PIDG STRATO-THERM Terminals with PTFE or PEEK for thin-wall Insulation Qualified to BS 4G178	4.0 [12]
576784	Special GB Aerospace tool for PIDG STRATO-THERM Terminals with PTFE or PEEK for thin-wall Insulation Qualified to BS 4G178	6.0 [10]
576779	Special GB Aerospace tool for PIDG STRATO-THERM Terminals with PTFE or PEEK for thin-wall Insulation Qualified to BS 4G178	0.6 [20]
576780	Special GB Aerospace tool for PIDG STRATO-THERM Terminals with PTFE or PEEK for thin-wall Insulation Qualified to BS 4G178	1.0 [18]
576781	Special GB Aerospace tool for PIDG STRATO-THERM Terminals with PTFE or PEEK for thin-wall Insulation Qualified to BS 4G178	1.5 [16]
59239-4	PIDG, PLASTI-GRIP Terminals & Splices - Standard tool for GB Railways Qualified; Mil-T-7928; LUL RSE 024 pt6 & EE6161 Marks the applied product with a one dot indent code.	3.0 - 5.0 [12-10] □ 1.5 - 2.5 [16-14] HD
59287-2	PIDG, PLASTI-GRIP Large Expansion Terminals & Splices	4.0 - 6.0 [12-10] □ [16-14] HD
525692	Special GB Aerospace & MOD PIDG & PLASTI-GRIP Ring Tongue Tool - approved DEF. STAN. 59-71 (Pt. 1). Equivalent to 59239-4 but has special retaining pins/rings to reduce the risk of tool parts falling off whilst building and maintaining aircraft.	4.0 - 6.0 [12-10]
69355	SOLISTRAND Terminals & Splices	10.0 [8]
59461	STRATO-THERM Uninsulated Terminals & Splices with Insulation Support	4.0 - 6.0 [12-10] □ [16-14] HD
90382-2	TYPE XII Contact	1.5 - 4.0 [16-12]
90384-1	TYPE XII Contact	6.0 - 10.0 [10-8]



## Adapter - Heavy Head to 626 Pneumatic

525432-1 - Adapter only

### Features:

Heads can be removed from Hand Tools, example: the Handles from 59239-4 can be removed and the head used with this Adapter on the 626 Pneumatic system.

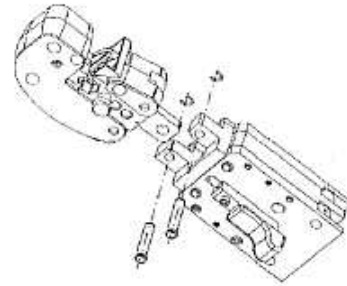
Also required:

Adapter Holder with Ratchet 356304-1  
or Adapter Holder without Ratchet 189928-1  
and

Hand held power unit 189721-1  
or Foot actuated Power Unit 189722-1

see Power Assist section for more information

*Image representative of type only*



## Reel-Fed CERTI-LOK

A unique tool that applies terminals from special small reels

### Features:

Terminal feeding and cutting device  
Straight action jaw closure  
Ratchet mechanism ensures complete crimp cycle  
Easy access ratchet release  
Handle pressure adjustment with locking device  
Ergonomic non-slip handles

*Image representative of type only*



Part Number	Description	mm <sup>2</sup> (AWG) or other
539608-1	AMP MOD II	0.02 - 0.20 [32-24]
734203-1	AMP MOD IV	0.12 - 0.14 [26]
734204-1	AMP MOD IV	0.2 - 0.56 [24-20]
734643-1	AMPLIVAR	
734870-2	MICRO MATCH COSI contact	0.08 - 0.2 [28-24]
734870-1	MICRO MATCH COSI contact	0.2 - 0.6 [24-20]
734216-1	TYPE III+	0.2 - 1.5 [24-16]



## CERTI-LOK

### Features:

- Interchangeable Dies
- Straight action jaw closure
- Ratchet mechanism ensures complete crimp cycle
- Easy access ratchet release
- Handle pressure adjustment with locking device
- Ergonomic non-slip handles
- Approximate weight 0.64 kg (1.4 lbs)

*Image representative of type only*



Part Number	Description	mm <sup>2</sup> (AWG) or other
169400	Base Tool without Die-set - Approved DEF. STAN. 59-71 (Pt. 1)	

## Adapter - CERTI-LOK to Electric Terminator

169411 - Adapter only

### Features:

Adapts the Electric Terminator 539630-1 to take CERTI-LOK Dies

for more information on the Press and Press options, please see the Power Assist section

*Image representative of type only*



## PEZ 100

539717-1 - Base Tool without Die-set

1579000-1 - Base Tool without Die-set Long Handles

### Features:

- Interchangeable Dies
- Flap type terminal locator
- Straight action jaw closure
- Ratchet mechanism ensures complete crimp cycle
- Easy access ratchet release
- Handle pressure adjustment with locking device
- Ergonomic non-slip handles

*Image representative of type only*



## ERGOCRIMP

539635-1 - Base tool without Die-set

Note: This tool is not compatible with SDE Dies

*Image representative of type only*

### Features:

- Interchangeable Dies
- Virtually a straight action jaw closure
- Ratchet mechanism ensures complete crimp cycle
- Easy access ratchet release
- Handle pressure adjustment with locking device
- Ergonomic non-slip handles
- Approximate weight 0.59 kg (1.3 lbs)

Spare parts Kit 539635-2 (excluding main spring)  
Main Spring PN 1579005-1



## Tetra-Crimp Hand Tool

58078-3 - Base Tool without Die-set

*Image representative of type only*

### Features:

- Interchangeable Dies
- Ratchet mechanism ensures complete crimp cycle
- Tamper proof ratchet release setting
- Emergency ratchet release feature
- Terminal locator / support and wire stop on many tools
- Approximate weight 0.64 kg (1.4 lbs)
- Ergonomic non-slip handles



Part Number	Description	mm <sup>2</sup> (AWG) or other
58052-3	Die-set for ULTRA FAST	0.15 - 0.4 [26-22]
90390-3	Die-set for ULTRA FAST (including Flag Terminals)	0.4 - 1.0 [22-18]
90391-3	Die-set for ULTRA FAST (including Flag Terminals)	1.5 - 2.5 [16-14]
58079-3	Die-set for ULTRA FAST PLUS	0.4 - 1.0 [22-18]
58080-3	Die-set for ULTRA FAST PLUS	1.5 - 2.5 [16-14]

## Mini CERTI-LOK

A light weight and compact tool for many commercial applications

*Image representative of type only*

### Features:

- Fixed dies
- Straight action jaw closure
- Ratchet mechanism ensures complete crimp cycle
- Easy access ratchet release
- Handle pressure adjustment with locking device
- Easy terminal positioning with 'Flap Locator' (some tools)
- Ergonomic non-slip handles
- Approximate weight 0.46 kg (1.0 lbs)



## Modular Mini CERTI-LOK

Based on the Mini Certi-Lok tool

### Features:

Heads with identical features to the Mini Certilok tool

Choice of two handle lengths:

2-1579005-1 Short Handle

2-1579005-2 long Handle

Interchangerbility via snap-in pins.

*Image representative of type only*



## C-Frame Hand Tool

6-1419172-9 - Base Tool without Die-set

### Features:

Double action jaw closure

Ratchet mechanism ensures complete crimp cycle

Easy access ratchet release

Handle pressure adjustment with locking device

Egonomic non-slip handles

Approximate weight 0.55 kg (1.2 lbs)

*Image representative of type only*



Part Number	Description	mm <sup>2</sup> (AWG) or other
1583684-1	Die-set for ADK Series Back Shell	6.0 mm Cable Dia Max
1583684-2	Die-set for ADK Series Back Shell	7.5 mm Cable Dia Max
1583684-3	Die-set for ADK Series Back Shell	8.5 mm Cable Dia Max
1583684-4	Die-set for ADK Series Back Shell	9.5 mm Cable Dia Max
948761-1	Complete tool for HDE20 Ferrule	Cable Ø4.8 - 6.3
948761-2	Complete tool for HDE 20 Ferrule	Cable Ø6.3 - 8.2
948761-3	Complete tool for HDE20 Ferrule	Cable Ø8.2 - 11.1
734566-1	Complete tool for N Series 50 & 70 ohm	

## D-Frame Tool

### Features:

- Fixed Die-sets
- Small and lightweight
- Ratchet mechanism ensures complete crimp cycle
- Easy access ratchet release
- Handle pressure adjustment with locking device
- Ergonomic non-slip handles
- Approximate weight 0.55 kg (1.2 lbs)

*Image representative of type only*



Part Number	Description	mm <sup>2</sup> (AWG) or other
947488-1	Coax - BNC, TNC	Cable Dia 5 & 6mm
947679-1	HE 13 / 14 Crimp-on Snap-in	0.08 - 0.2 [28-24]
2-1579002-0	Wire Wire End Ferrules (Square crimp form)	0.5 - 6.0 [20-10]

## Trapezium Crimp Tool

Special Trapezium crimp tool for Wire End Ferrule applications

### Features:

- Ratchet mechanism ensures complete crimp cycle
- Easy access ratchet release
- Handle pressure adjustment with locking device
- Ergonomic non-slip handles

*Image representative of type only*



Part Number	Description	mm <sup>2</sup> (AWG) or other
734641-2	Wire End Ferrules (trapezium crimp form)	0.14 - 6.0 [26-10]
734641-3	Wire End Ferrules (trapezium crimp form)	0.5 - 10 [20-6]
734641-4	Wire End Ferrules (trapezium crimp form)	10.0 - 16.0 [8-6]

## Square Crimp Tool

Special Square crimp tool for Wire End Ferrule applications

### Features:

- Ratchet mechanism ensures complete crimp cycle
- Easy access ratchet release
- Handle pressure adjustment with locking device
- Ergonomic non-slip handles

*Image representative of type only*



Part Number	Description	mm <sup>2</sup> (AWG) or other
539660-1	Wire Wire End Ferrules (square crimp form)	0.08 - 10.0 [28-7]
539661-1	Wire Wire End Ferrules (square crimp form)	0.75 - 10 [20-8]
7-1579014-0	Wire End Ferrules DIN 46228 Pt. 1 & 4 - crimp length 13mm. Crimp is indented on two sides only - (better for smaller sizes)	0.08 - 10.0 [28-7]

## Service Tool

734790-1 - Base Tool without Die-set

### Features:

- Interchangeable Dies
- Ratchet mechanism ensures complete crimp cycle
- Easy access ratchet release
- Handle pressure adjustment with locking device
- Ergonomic non-slip handles
- Approximate weight 0.59 kg (1.3 lbs)

*Image representative of type only*



## TERMI-POINT Service Tool

### Features:

For the repair of crimped connections

*Image representative of type only*



Part Number	Description	mm <sup>2</sup> (AWG) or other
654632-1	Service Tool without Mandrel for Maxi TERMI-POINT	
654633-1	Twin Mandrel (Yellow / Red) for 654632-1	[24-20]
655136-3	Service Tool without Mandrel - Standard TERMI-POINT	0.2 - 0.4 [24-22]

## TERMI-POINT Hand Tool

### Features:

- Pneumatic options (pictured)
- Interchangeable Mandrels
- Terminals fed from Reel

*Image representative of type only*



Part Number	Description	mm <sup>2</sup> (AWG) or other
871295-1	Mandrel (yellow) for Maxi TERMI-POINT tool 871087-1	[20] Ins. Ø0.91-1.65mm Post; .031" x .093"
69561	Mandrel (yellow) for Maxi TERMI-POINT tool 654182-1	[20] Ins. Ø1.17-1.65mm Post; .031" x .093"
69561-1	Mandrel (yellow) for for Maxi TERMI-POINT tool 654182-1	[20] Ins. Ø1.68-2.16mm Post; .031" x .093"
871295-2	Mandrel (red) for Maxi TERMI-POINT tool 871087-1	[24] Ins. Ø0.86-1.65mm Post; .031" x .093"
69561-4	Mandrel (red) for Maxi TERMI-POINT tool 654182-1	[24] Ins. Ø1.1 -1.65mm Post; .031" x .093"
871295-5	Mandrel (brown) for Maxi TERMI-POINT Tool 871087-2	0.15 [26] □ Ins. Ø0.76-1.40mm
871295-4	Mandrel (red) for Maxi TERMI-POINT Tool 871087-2	0.2 [24] □ Ins. Ø0.86-1.65mm
871295-3	Mandrel (orange) for Maxi TERMI-POINT Tool 871087-2	0.4 [22] □ Ins. Ø0.91-1.65mm
654182-1	Hand Tool without Mandrel - Maxi TERMI-POINT	0.6 - 0.2 [20-24]
871087-1	Hand Tool (pneumatic) without Mandrel - Maxi TERMI-POINT	0.6 - 0.2 [20-24]
69526-2	Hand Tool without Mandrel - Standard TERMI-POINT	0.08 - 0.4 [28-22]
69551-5	Mandrel (black) for Standard TERMI-POINT Tool 69526-2	0.08 [28] □ Ins. Ø1.14-1.65mm
69551-6	Mandrel (brown) for Standard TERMI-POINT Tool 69526-2	0.15 [26] □ Ins. Ø0.56-1.14 mm
1-69411-9	Mandrel (brown) for Standard TERMI-POINT Tool 69526-2	0.15 [26] □ Ins. Ø1.14-1.65mm
69551-9	Mandrel (red) for Standard TERMI-POINT Tool 69526-2	0.2 [24] □ Ins. Ø0.74-1.23mm
1-69411-3	Mandrel (red) for Standard TERMI-POINT Tool 69526-2	0.2 [24] □ Ins. Ø1.10-1.65mm
871087-2	Hand Tool (pneumatic) without Mandrel - Standard TERMI-POINT	0.4 - 0.15 [22-26]
69551-8	Mandrel (orange) for Standard TERMI-POINT Tool 69526-2	0.4 [22] □ Ins. Ø0.87-1.23mm
1-69411-4	Mandrel (orange) for Standard TERMI-POINT Tool 69526-2	0.4 [22] □ Ins. Ø1.14-1.65mm

## Service Kit Tool

Ideal for Service and Repair

### Features:

- Tool-less Die change
- Ratchet mechanism ensures complete crimp cycle
- Emergency ratchet release feature
- Ergonomic non-slip handles
- Approximate weight 0.46 kg (1.0 lbs)

*Image representative of type only*



Part Number	Description	mm <sup>2</sup> (AWG) or other
3-1579000-0	Hand Tool Frame only - Service Kit Tool	

## Die-set - Service Kit Tool

Build up your own kit!

### Features:

- Upper & lower Dies are permanently joined
- Interlocking Die-set holders

Use in Service Kit Tool 3-1579000-0

*Image representative of type only*



Part Number	Description	mm <sup>2</sup> (AWG) or other
3-1579016-4	FASTON 6.3 [.250]	0.5 - 6.0 [20-10]
3-1579016-1	PIDG, PLASTIGRIP Terminals & Splices	0.1 - 6.0 [26-10] □ Green / Yellow
3-1579016-2	PIDG, PLASTIGRIP Terminals & Splices	0.5 - 2.5 [20-14] □ Red / Blue
3-1579016-3	SOLISTRAND Terminals & Splices	0.5 - 6.0 [20-10]
3-1579016-5	Wire End Ferrules	0.25 - 10.0 [24-8]