



Automatic Reset

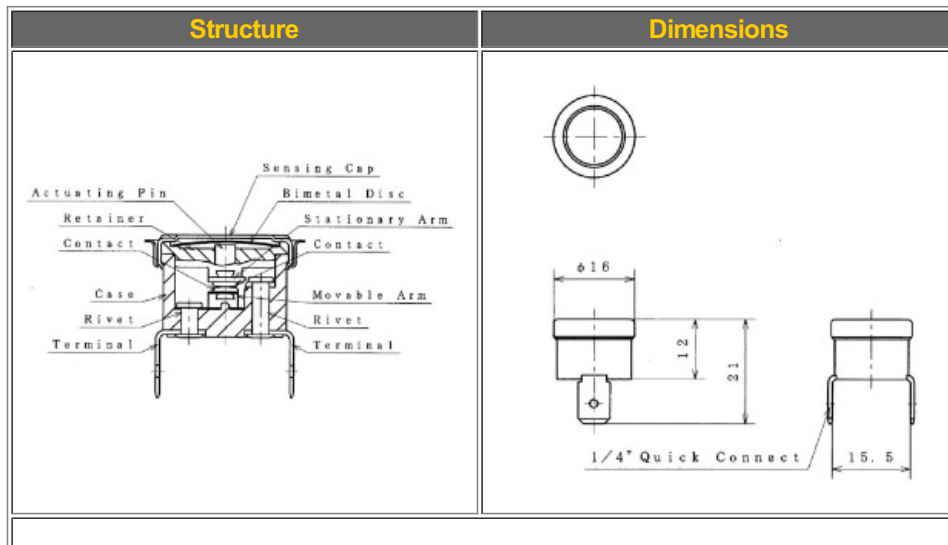
TYPE 03EP / 54N



Type 03EP / 54N

1/2" Bimetallic Disc Thermostat
Automatic Reset / Phenolic Case
03EP: 250 VAC/ 0.1A, 30VDC/ 0.1A
54N: 125 VAC/ 15A, 250VAC/ 10A
Standard: UL-E43273, CSA-LR67166

Item	Specifications
Basic Features	Automatic Reset, SPST Bimetallic Disc Thermostat
Operation	A: Contacts open on temperature rise B: Contacts close on temperature rise
Electrical Rate	Resistive / Inductive: 125 VAC/15A, 250VAC/10A
Temperature Rating	Type 11N/11S: Max Operating Temp 150°C (302°F)
Calibration Method	Hot Oven circulating System
Insulation Resistance	No less than 1,000 M(Omega) at DC 500V with Megger
Dielectric Strength	AC 1,500 V for 1 minute or AC 1,800 V for 1 second



NGT Controls, Inc.
10 Hughes, Ste A-102
Irvine, CA 92618 USA

Phone: 1-949-380-0108 • Fax: 1-949-380-0115 • E-mail: negt@x.netcom.com

Copyright: NGT Controls, Inc., 2006. All rights reserved.