

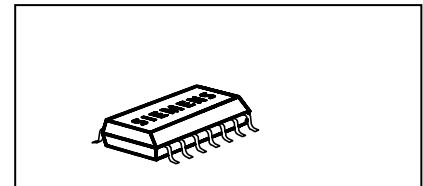
Two Channels: 2 x 100mΩ
Status Feedback
Suitable for 42V



Product Summary

Operating Voltage	$V_{bb(on)}$	7.0 ... 58V	
	Active channels	One	two parallel
On-state Resistance	R_{ON}	105mΩ	53mΩ
Nominal load current	$I_{L(NOM)}$	2.9A	4.2A
Current limitation	$I_{L(SCr)}$	8A	8A

Package



PG-DSO14

General Description

- N channel vertical power MOSFET with charge pump, ground referenced CMOS compatible input and diagnostic feedback, monolithically integrated in Smart SiPMOS® 80V technology.
- Providing embedded protective functions
- An array of resistors is integrated in order to reduce the external components

Applications

- μ C compatible high-side power switch with diagnostic feedback for 12V and 24V and **42V** grounded loads
- All types of resistive, inductive and capacitive loads
- Most suitable for inductive loads
- Replaces electromechanical relays, fuses and discrete circuits

Basic Functions

- CMOS compatible input
- Improved electromagnetic compatibility (EMC)
- Fast demagnetization of inductive loads
- Stable behaviour at undervoltage
- Wide operating voltage range
- Logic ground independent from load ground
- Optimized inrush current capability

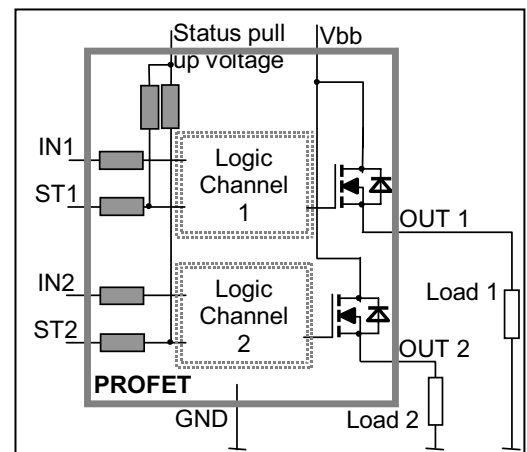
Protection Functions

- Short circuit protection
- Overload protection
- Current limitation
- Thermal shutdown
- Overvoltage protection (including load dump) with external resistor
- Reverse battery protection with external resistor
- Loss of ground and loss of V_{bb} protection
- Electrostatic discharge protection (ESD)

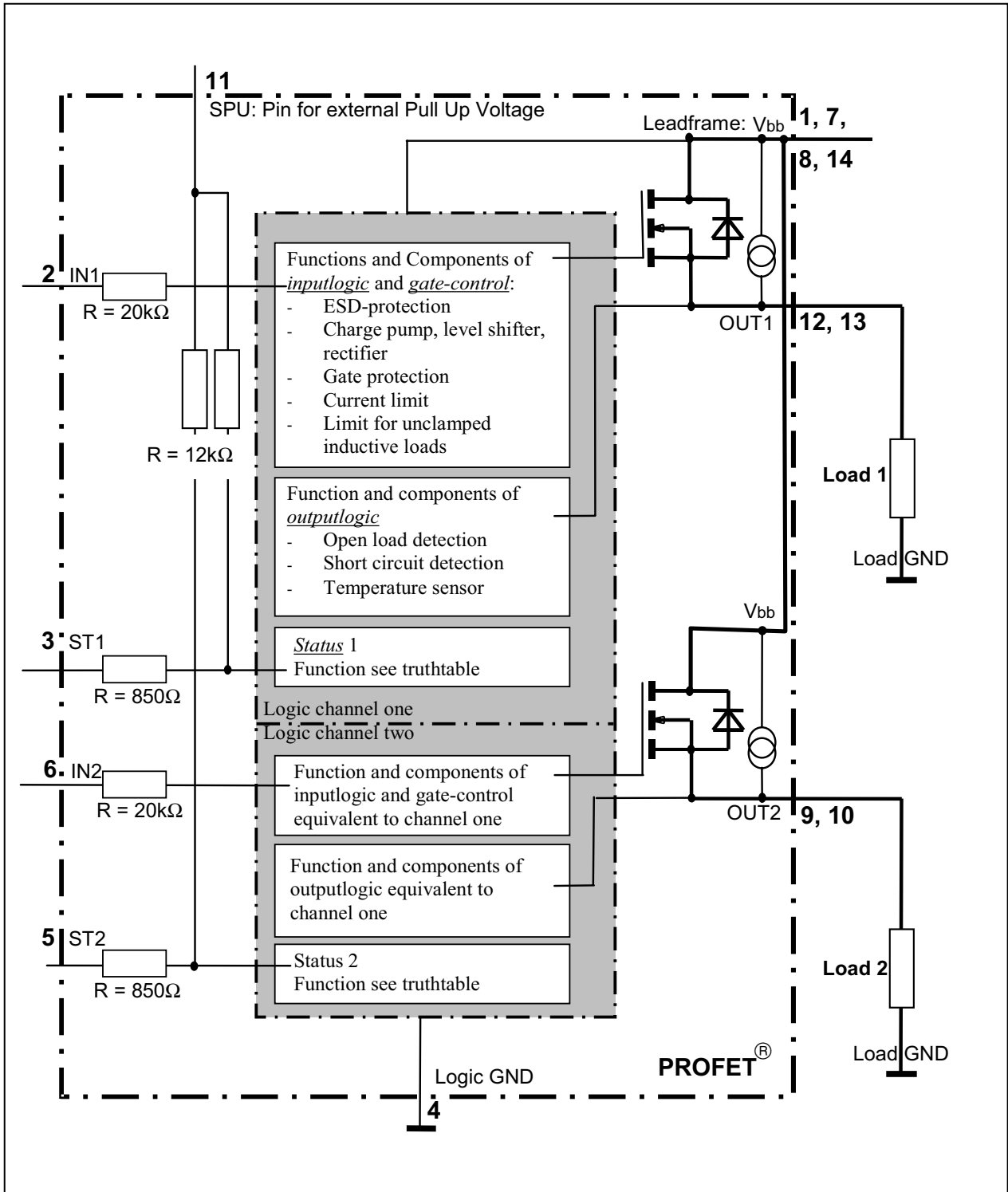
Diagnostic Function

- Diagnostic feedback with open drain output and integrated pull up resistors
- Open load detection in OFF-state
- Feedback of thermal shutdown in ON-state
- Diagnostic feedback of both channels works properly in case of inverse current

Block Diagram



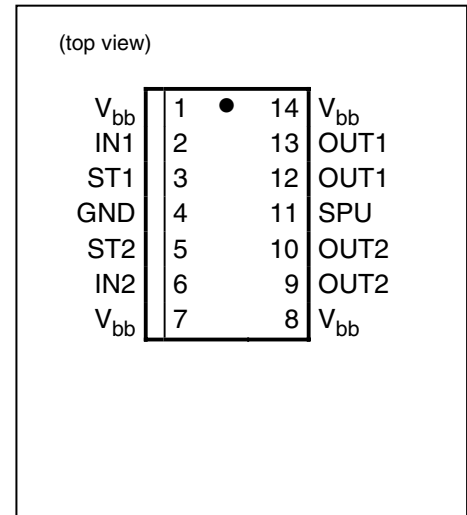
Functional diagram



Pin Definitions and Functions

Pin	Symbol	Function
1,7, 8,14,	V_{bb}	Positive power supply voltage. Design the wiring for the simultaneous max. short circuit currents from channel 1 to 2 and also for low thermal resistance
2	IN1	Input 1,2 activates channel 1,2 in case of logic high signal
6	IN2	
12,13	OUT1	Output 1,2 protected high-side power output of channel 1,2. Design the wiring for the max. short circuit current; both outputpins have to be connected in parallel for operation according this spec.
9,10	OUT2	
3	ST1	Diagnostic feedback 1,2 of channel 1,2 open drain
5	ST2	
4	GND	Logic Ground
11	SPU	Connection for external pull up voltage source for the open drain status output. Pull up resistors are integrated.

Pin configuration



Parameter and Conditions	Symbol	Values			Unit
		min	typ	Max	
Thermal resistance junction - soldering point ^{5),6)} each channel:	R_{thjs}	--	--	25	K/W
junction - ambient ⁵⁾ one channel active:	R_{thja}	--	45	--	
all channels active:		--	41	--	

Electrical Characteristics

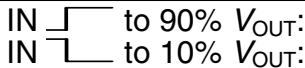
Parameter and Conditions, each of the two channels at $T_j = -40\dots+150^\circ\text{C}$, $V_{bb} = 24\text{ V}$ unless otherwise specified	Symbol	Values			Unit
		min	typ	Max	

Load Switching Capabilities and Characteristics

On-state resistance (V_{bb} to OUT); $I_L = 2\text{ A}$, $V_{bb} \geq 7\text{ V}$ each channel, $T_j = 25^\circ\text{C}$:	R_{ON}	--	90	105	m Ω
$T_j = 150^\circ\text{C}$:			170	210	
two parallel channels, $T_j = 25^\circ\text{C}$:			45	53	

see diagram, page 12

⁶⁾ Soldering point: Upper side of solder edge of device pin 15. See page 15

Parameter and Conditions, each of the two channels at $T_j = -40\dots+150^\circ\text{C}$, $V_{bb} = 24\text{ V}$ unless otherwise specified	Symbol	Values			Unit
		min	typ	Max	
Nominal load current one channel active: two parallel channels active: Device on PCB ⁷⁾ , $T_a = 85^\circ\text{C}$, $T_j \leq 150^\circ\text{C}$	$I_{L(\text{NOM})}$	2.5 4.0	2.9 4.2	-- --	A
Output current while GND disconnected or pulled up ⁸⁾ ; $V_{bb} = 30\text{ V}$, $V_{IN} = 0$, see diagram page 11	$I_{L(\text{GNDhigh})}$	--	--	1.0	mA
Turn-on time ⁹⁾ Turn-off time $R_L = 12\ \Omega$	IN  t_{on} t_{off}	-- --	-- --	55 95	μs
Slew rate on ⁹⁾ 10 to 30% V_{OUT} , $R_L = 12\ \Omega$:	dV/dt_{on}	1.0	--	5	$\text{V}/\mu\text{s}$
Slew rate off ⁹⁾ 70 to 40% V_{OUT} , $R_L = 12\ \Omega$:	$-dV/dt_{\text{off}}$	1.0	--	5	$\text{V}/\mu\text{s}$

Operating Parameters

Operating voltage	$V_{bb(\text{on})}$	7.0	--	58	V
Undervoltage restart of charge pump $T_j = -40\dots+25^\circ\text{C}$: $T_j = +150^\circ\text{C}$:	$V_{bb(\text{ucp})}$	-- --	4 --	5.5 7.0	V
Oversvoltage protection ¹⁰⁾ $I_{bb} = 40\text{ mA}$	$V_{bb(\text{AZ})}$	58.5	63	69	V
Standby current ¹¹⁾ $V_{IN} = 0$; see diagram page 10	$I_{bb(\text{off})}$	-- -- --	13 -- 25	23 23 35	μA
Off-State output current (included in $I_{bb(\text{off})}$) $V_{IN} = 0$; each channel	$I_{L(\text{off})}$	--	3	--	μA
Operating current ¹³⁾ , $V_{IN} = 5\text{V}$, one channel on: all channels on:	I_{GND}	-- --	1.0 2.0	1.5 3.0	mA

7) Device on 50mm*50mm*1.5mm epoxy PCB FR4 with 6cm² (one layer, 70 μm thick) copper area for V_{bb} connection. PCB is vertical without blown air. See page 15

8) not subject to production test, specified by design

9) See timing diagram on page 13.

10) Supply voltages higher than $V_{bb(\text{AZ})}$ require an external current limit for the GND; a 150 Ω resistor is recommended. See also $V_{\text{ON}(\text{CL})}$ in table of protection functions and circuit diagram on page 10.

11) Measured with load; for the whole device; all channels off

12) not subject to production test, specified by design

13) Add I_{ST} , if $I_{\text{ST}} > 0$

Parameter and Conditions, each of the two channels at $T_j = -40\dots+150^\circ\text{C}$, $V_{bb} = 24\text{ V}$ unless otherwise specified	Symbol	Values			Unit
		min	typ	Max	

Protection Functions¹⁴⁾

Current limit, (see timing diagrams, page 13)	$I_{L(\text{lim})}$	--	$T_j = -40^\circ\text{C}$: 10	12	A
			$T_j = 25^\circ\text{C}$: 9	--	
			$T_j = +150^\circ\text{C}$: 5	8	
Repetitive short circuit current limit ¹⁵⁾ , $T_j = T_{jt}$ each channel two parallel channels (see timing diagrams, page 13)	$I_{L(\text{SCR})}$	--	8	--	A
			8	--	
Initial short circuit shutdown time $T_{j,\text{start}} = 25^\circ\text{C}$: (see timing diagrams on page 13)	$t_{\text{off}(\text{SC})}$	--	2	--	ms
Output clamp (inductive load switch off) ¹⁶⁾ at $V_{\text{ON}(\text{CL})} = V_{bb} - V_{\text{OUT}}$, $I_L = 1\text{ A}$	$V_{\text{ON}(\text{CL})}$	59	64	70	V
Thermal overload trip temperature	T_{jt}	150	--	--	$^\circ\text{C}$
Thermal hysteresis	ΔT_{jt}	--	10	--	K

Reverse Battery

Reverse battery voltage ¹⁷⁾	$-V_{bb}$	--	--	24	V
Drain-source diode voltage ($V_{\text{out}} > V_{bb}$) ¹⁸⁾ $I_L = -3.0\text{ A}$, $T_j = +150^\circ\text{C}$	$-V_{\text{ON}}$	--	650	--	mV

Inverse current ¹⁹⁾

GND current in case of 3A inverse current ²⁰⁾	$I_{\text{GND}(\text{inv cur})}$	--	--	15	mA
--	----------------------------------	----	----	----	----

¹⁴⁾ Integrated protection functions are designed to prevent IC destruction under fault conditions described in the data sheet. Fault conditions are considered as "outside" normal operating range. Protection functions are not designed for continuous repetitive operation.

¹⁵⁾ not subject to production test, specified by design

¹⁶⁾ If channels are connected in parallel, output clamp is usually accomplished by the channel with the lowest $V_{\text{ON}(\text{CL})}$

¹⁷⁾ Requires a 150 Ω resistor in GND connection. The reverse load current through the intrinsic drain-source diode has to be limited by the connected load. Power dissipation is higher compared to normal operating conditions due to the voltage drop across the drain-source diode. The temperature protection is not active during reverse current operation! Input and Status currents have to be limited (see max. ratings page 4 and circuit page 10).

¹⁸⁾ not subject to production test, specified by design

¹⁹⁾ not subject to production test, specified by design

²⁰⁾ In case of an inverse current of 3A the both status outputs must not be disturbed.



The neighbour channel can be switched normally; not all parameters lay within the range of the spec
Please note, that in case of an inverse current no protection function is active. The power dissipation is higher compared to normal operation in forward mode due to the voltage drop across the drain-source diode

Parameter and Conditions, each of the two channels at $T_j = -40\dots+150^\circ\text{C}$, $V_{bb} = 24\text{ V}$ unless otherwise specified	Symbol	Values			Unit
		min	typ	Max	

Diagnostic Characteristics

Open load detection current ²¹⁾	$I_{L(\text{off})}$	--	3	--	μA
Open load detection voltage	$V_{\text{OUT(OL)}}$	2.0	2.85	3.7	V
Short circuit detection voltage ²²⁾ V_{bb} (pin 1,7,8,14) to OUT1 (pin 12,13) resp. V_{bb} (pin 1,7,8,14) to OUT2 (pin 9,10)	$V_{\text{ON(SC)}}$	--	4.0	--	V

Input and Status Feedback ²³⁾

Integrated resistors; $T_j = 25^\circ\text{C}$: (see circuit page 2)	Input	R_I	--	20	--	$\text{k}\Omega$
	Status	R_{ST}	0.53	0.85	1.2	$\text{k}\Omega$
	Status pull up	$R_{\text{pull up}}$	--	12	--	$\text{k}\Omega$
Input turn-on threshold voltage		$V_{\text{IN(T+)}}$	1.2	--	2.2	V
Input turn-off threshold voltage		$V_{\text{IN(T-)}}$	1.0	--	--	V
Input threshold hysteresis		$\Delta V_{\text{IN(T)}}$	--	0.25	--	V
Off state input current	$V_{\text{IN}} = 0.4\text{ V}$:	$I_{\text{IN(off)}}$	1	--	15	μA
On state input current	$V_{\text{IN}} = 5\text{ V}$:	$I_{\text{IN(on)}}$	10	25	50	μA
Status output (open drain)						
Zener limit voltage		$V_{\text{ST(high)}}$	5.4	6.1	--	V
Status low voltage	$V_{\text{SPU}} = 5\text{ V}$:	$V_{\text{ST(low)}}$	--	--	0.4	

²¹⁾ not subject to production test, specified by design

²²⁾ not subject to production test, specified by design

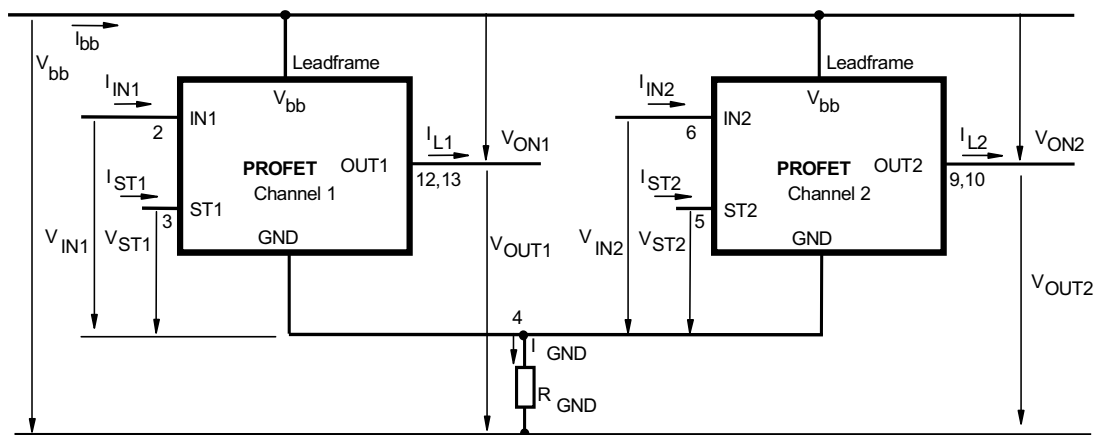
²³⁾ If a ground resistor R_{GND} is used, add the voltage drop across these resistors.

Truth Table

Channel 1	Input 1	Output 1	Status 1
Channel 2	Input 2	Output 2	Status 2
	level	level	BTS 723
Normal operation	L	L	L
	H	H	H
Open load	L	$V_{OUT} > 2.7V$	H
	H	H	H
Short circuit to GND	L	L	L
	H	L	L
Short circuit to V_{bb}	L	H	H
	H	H	H
Overtemperature	L	L	L
	H	L	L

Parallel switching of channel 1 and 2 is easily possible by connecting the inputs and outputs in parallel. In this mode it is recommended to use only one status.

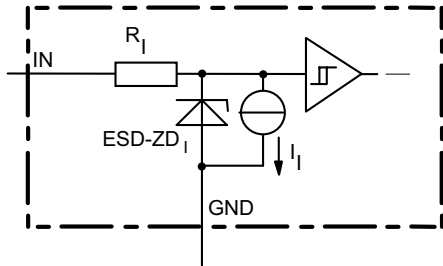
Terms



Leadframe (V_{bb}) is connected to pin **1,7,8,14**

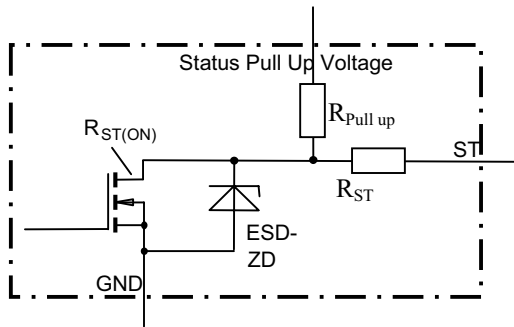
External R_{GND} optional; a single resistor $R_{GND} = 150\Omega$ for reverse battery protection up to the max. operating voltage.

Input circuit (ESD protection), IN1 or IN2



The use of ESD zener diodes as voltage clamp at DC conditions is not recommended.

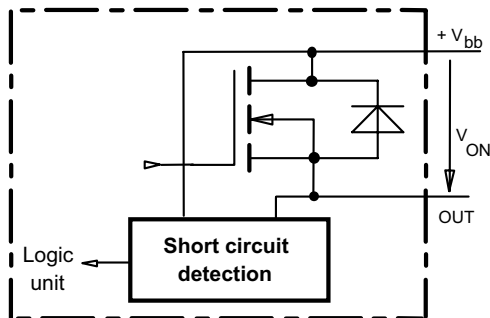
Status output, ST1 or ST2



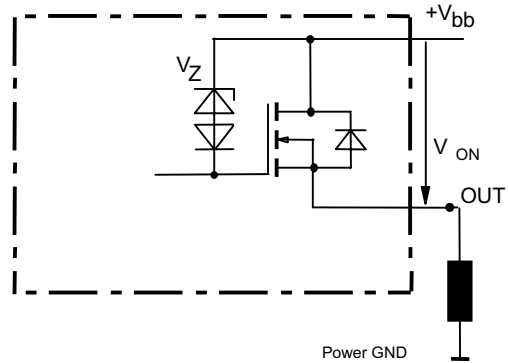
ESD-Zener diode: 6.1 V typ., $R_{ST(ON)} < 250 \Omega$,
 $R_{ST} = 850 \Omega$ typ., $R_{pull\ up} = 12\ k\Omega$ typ.
 The use of ESD zener diodes as voltage clamp at DC conditions is not recommended

Short Circuit detection

Fault Signal at ST-Pin: $V_{ON} > 4.0\ V$ typ, no switch off by the PROFET itself, external switch off recommended!

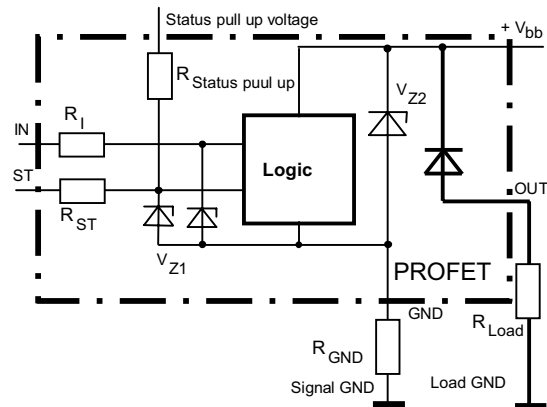


Inductive and overvoltage output clamp, OUT1 or OUT2



V_{ON} clamped to $V_{ON(CL)} = 64\ V$ typ.

Overvolt. and reverse batt. protection



$V_{Z1} = 6.1\ V$ typ., $V_{Z2} = 63\ V$ typ., $R_{GND} = 150\ \Omega$,
 $R_I = 850\ \Omega$ typ., $R_{ST} = 20\ k\Omega$ typ., $R_{pull\ up} = 12\ k\Omega$ typ
 In case of reverse battery the load current has to be limited by the load. Temperature protection is not active

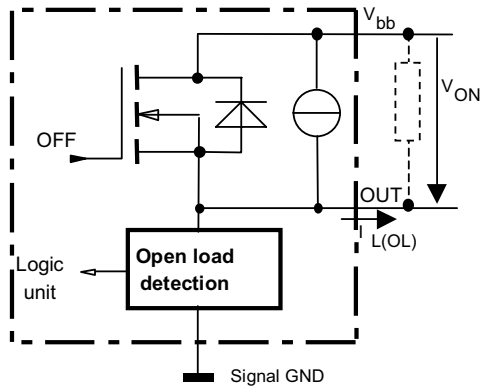
Open-load detection, OUT1 or OUT2

OFF-state diagnostic condition:

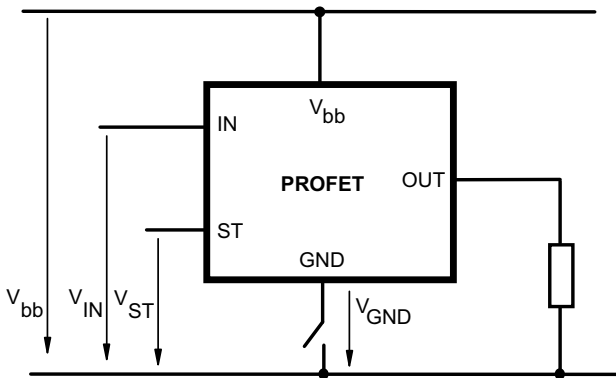
Open load, if $V_{OUT} > 2.7\text{ V typ.}$ (IN low)

$I_{L(OL)}$ typ. $2\mu\text{A}$

An external resistor can be used to increase the open load detection current



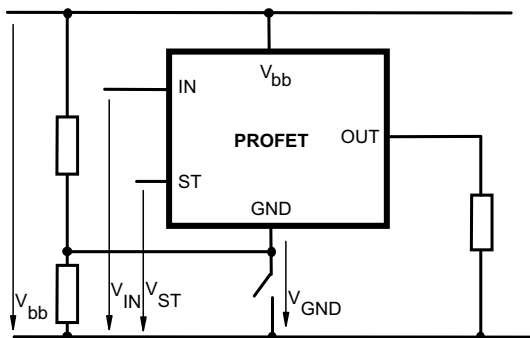
GND disconnect



Any kind of load.

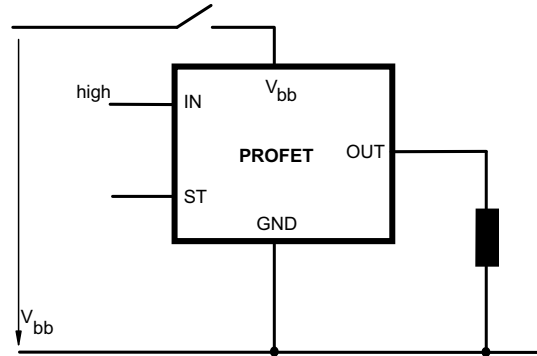
Due to $V_{GND} > 0$, no $V_{ST} = \text{low}$ signal available.

GND disconnect with GND pull up



Any kind of load. If $V_{GND} > V_{IN} - V_{IN(T+)}$ device stays off
Due to $V_{GND} > 0$, no $V_{ST} = \text{low}$ signal available.

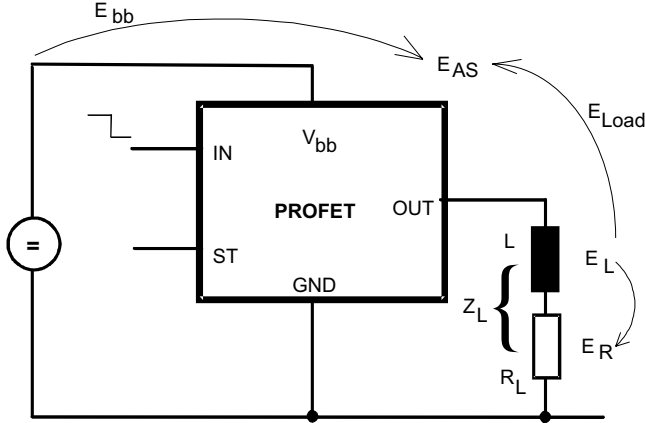
V_{bb} disconnect with energized inductive load



For inductive load currents up to the limits defined by Z_L (max. ratings and diagram on page 12) each switch is protected against loss of V_{bb} .

Consider at your PCB layout that in the case of V_{bb} disconnection with energized inductive load all the load current flows through the GND connection.

Inductive load switch-off energy dissipation



Energy stored in load inductance:

$$E_L = \frac{1}{2} \cdot L \cdot I_L^2$$

While demagnetizing load inductance, the energy dissipated in PROFET is

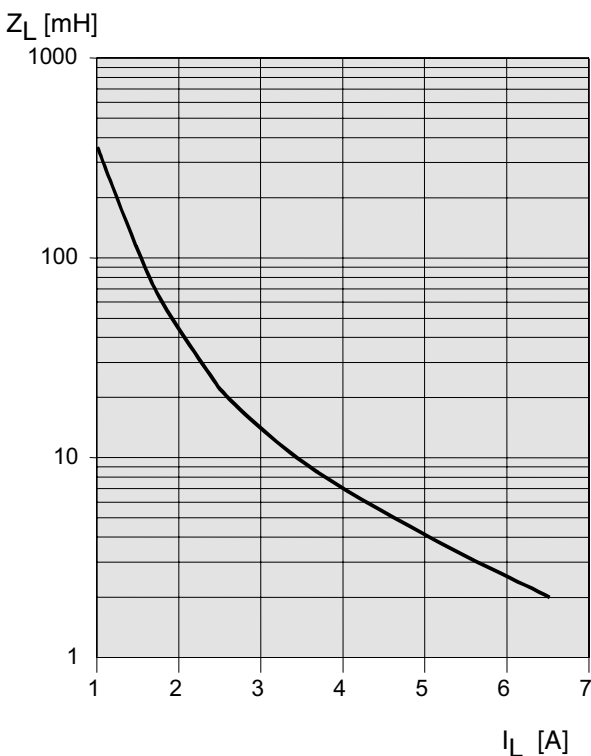
$$E_{AS} = E_{bb} + E_L - E_R = \int V_{ON(CL)} \cdot i_L(t) dt,$$

with an approximate solution for $R_L > 0 \Omega$:

$$E_{AS} = \frac{I_L \cdot L}{2 \cdot R_L} (V_{bb} + |V_{OUT(CL)}|) \ln \left(1 + \frac{I_L \cdot R_L}{|V_{OUT(CL)}|} \right)$$

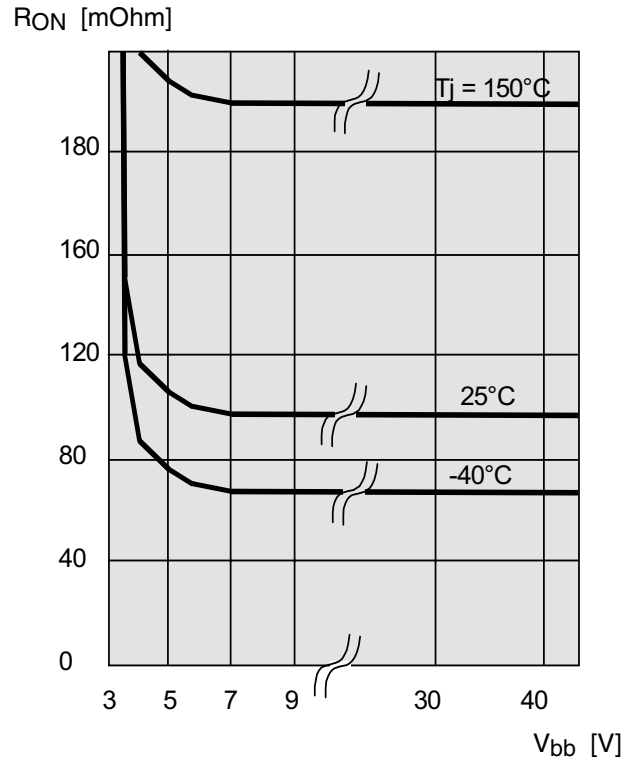
Maximum allowable load inductance for a single switch off (one channel)⁵⁾

$L = f(I_L)$; $T_{j,start} = 150^\circ\text{C}$, $V_{bb} = 12\text{ V}$, $R_L = 0 \Omega$



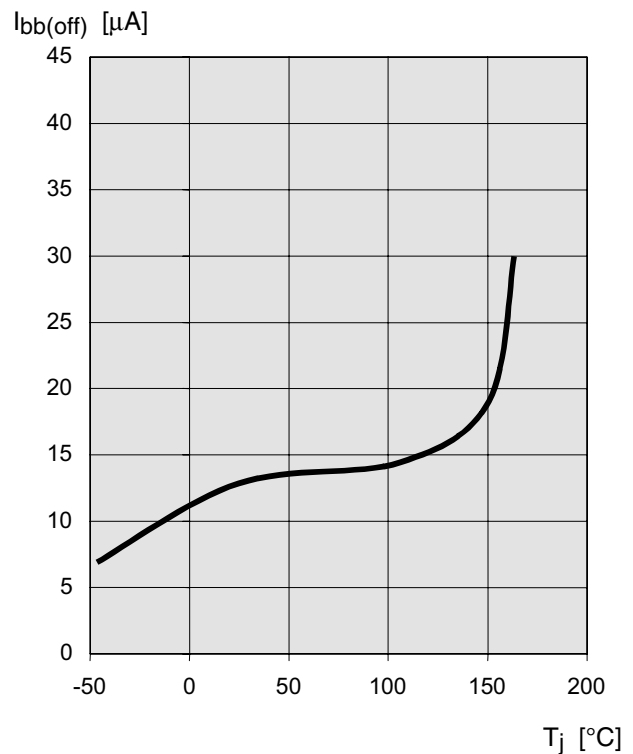
Typ. on-state resistance

$R_{ON} = f(V_{bb}, T_j)$; $I_L = 2\text{ A}$, $I_N = \text{high}$



Typ. standby current

$I_{bb(off)} = f(T_j)$; $V_{bb} = 9...34\text{ V}$, $I_{N1,2,3,4} = \text{low}$



Timing diagrams

All channels are symmetric and consequently the diagrams are valid for channel 1 and channel 2

Figure 1a: V_{bb} turn on, :

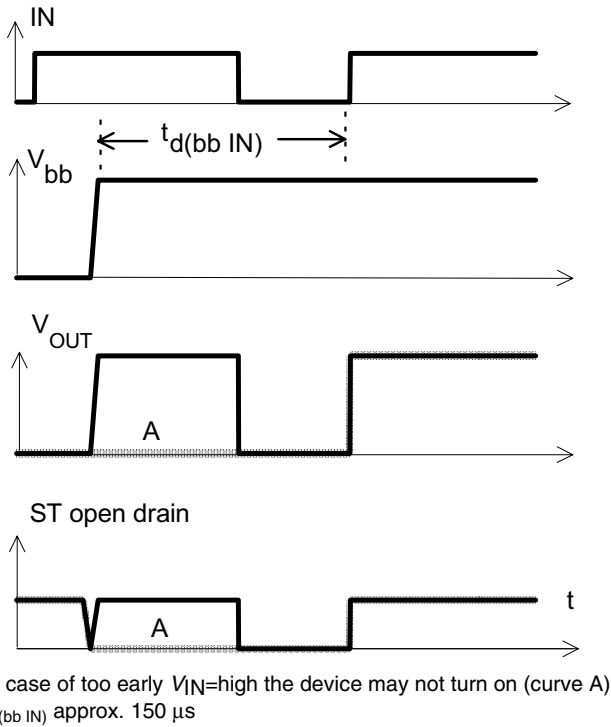


Figure 2a: Switching a resistive load, turn-on/off time and slew rate definition:

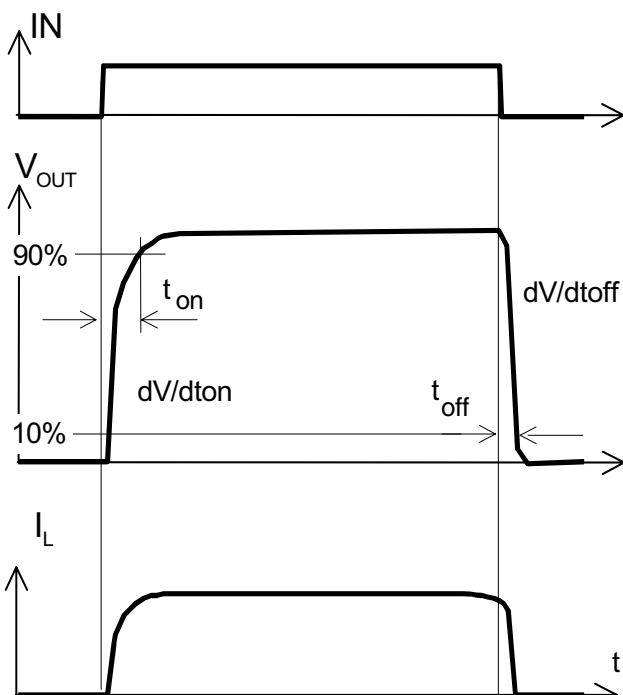


Figure 2b: Switching an inductive load

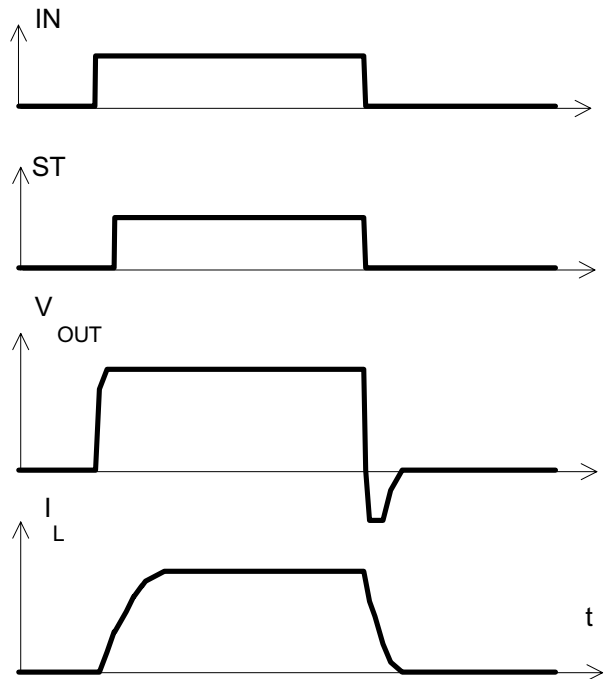


Figure 3a: Short circuit: shut down by overtemperature, reset by cooling

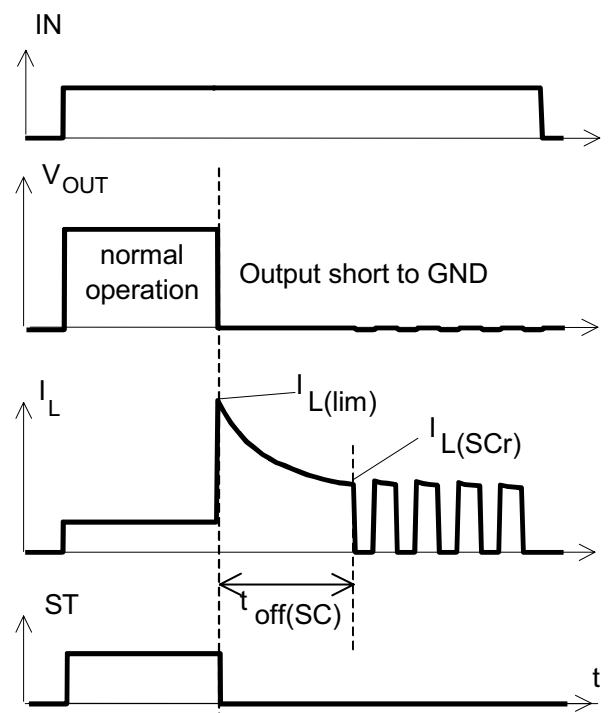


Figure 4a: Overtemperature:
Reset if $T_j < T_{jt}$

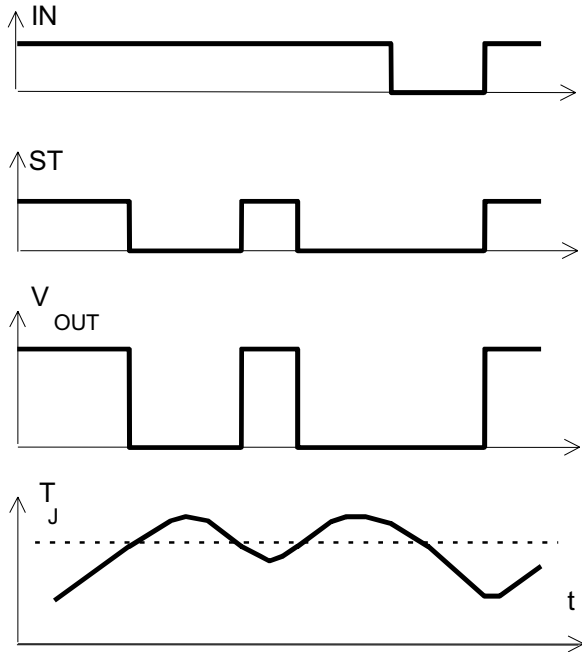
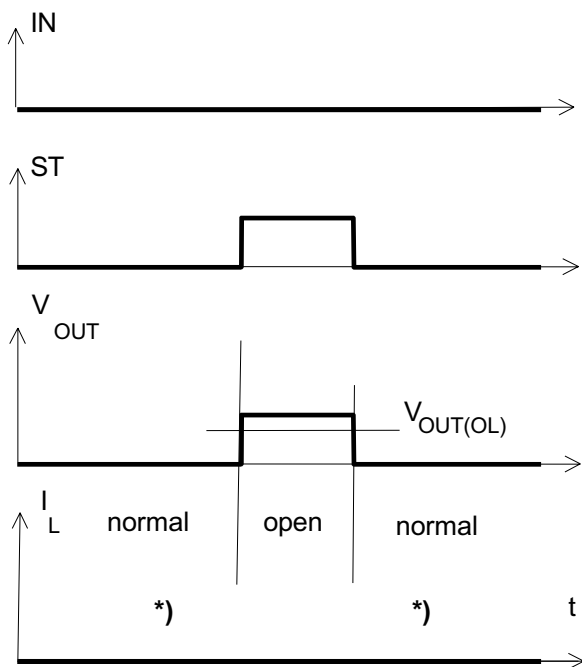
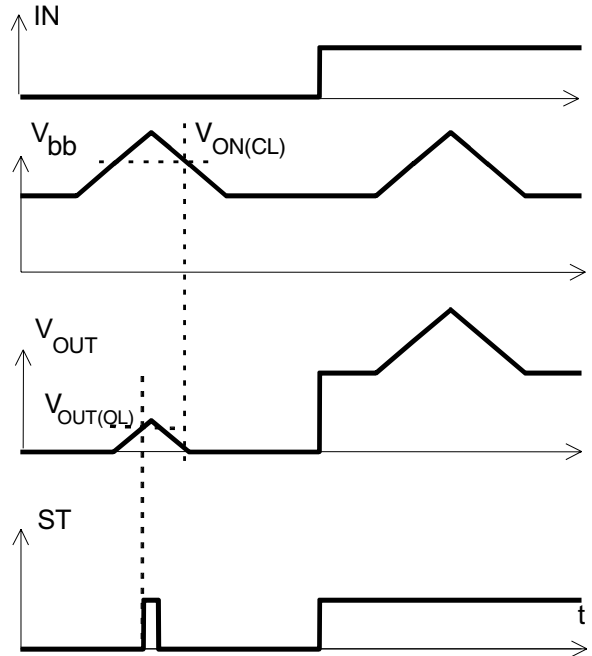


Figure 5a: Open load, : detection in OFF-state, open load occurs in off-state



*) $I_L = 2 \mu A$ typ. $V_{OUT} > 2.7V$

Figure 6: Overvoltage, no shutdown:



Package Outlines

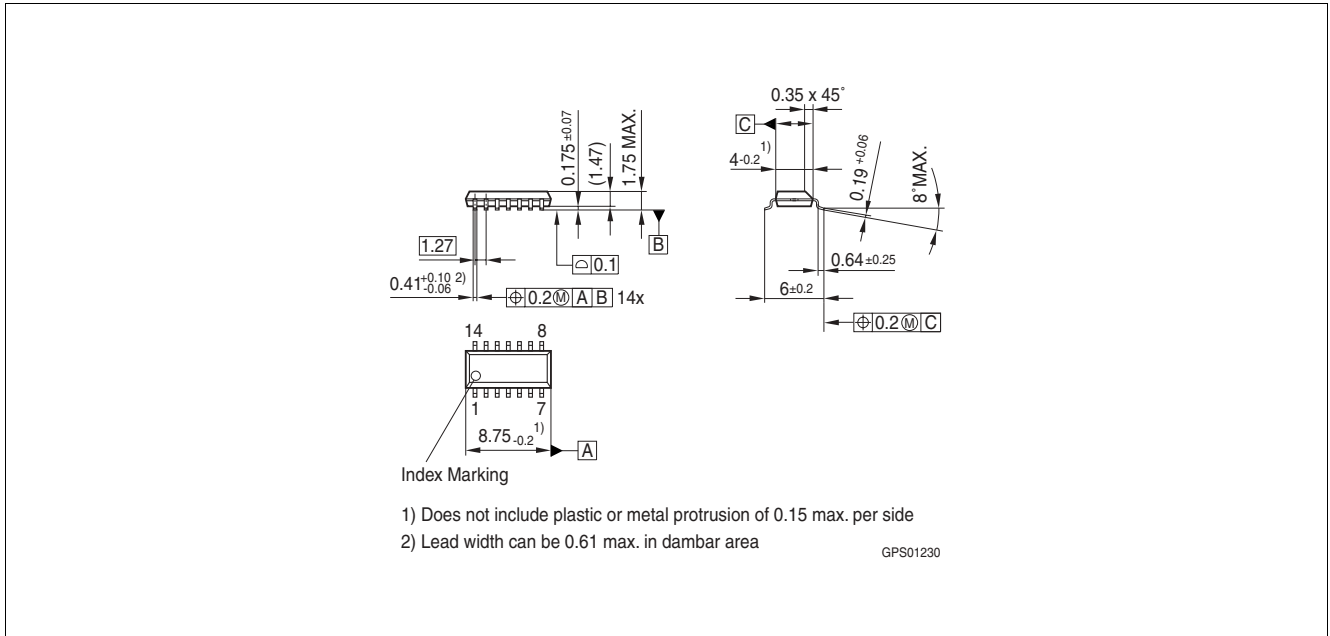


Figure 1 PG-DSO-14-37 (Plastic Dual Small Outline Package) (RoHS-compliant)

To meet the world-wide customer requirements for environmentally friendly products and to be compliant with government regulations the device is available as a green product. Green products are RoHS-Compliant (i.e. Pb-free finish on leads and suitable for Pb-free soldering according to IPC/JEDEC J-STD-020).

Please specify the package needed (e.g. green package) when placing an order

Revision History

Version	Date	Changes
V1.1	2007-09-25	Modification of the package drawing
V1.0	2007-05-25	Creation of the green datasheet. First page : Adding the green logo and the AEC qualified Adding the bullet AEC qualified and the RoHS compliant features Package page : Modification of the package to be green.

Edition 2007-09-25

**Published by
Infineon Technologies AG
81726 Munich, Germany**

**© Infineon Technologies AG 9/25/07.
All Rights Reserved.**

Legal Disclaimer

The information given in this document shall in no event be regarded as a guarantee of conditions or characteristics ("Beschaffenhheitsgarantie"). With respect to any examples or hints given herein, any typical values stated herein and/or any information regarding the application of the device, Infineon Technologies hereby disclaims any and all warranties and liabilities of any kind, including without limitation warranties of non-infringement of intellectual property rights of any third party.

Information

For further information on technology, delivery terms and conditions and prices please contact your nearest Infineon Technologies Office (www.infineon.com).

Warnings

Due to technical requirements components may contain dangerous substances. For information on the types in question please contact your nearest Infineon Technologies Office.

Infineon Technologies Components may only be used in life-support devices or systems with the express written approval of Infineon Technologies, if a failure of such components can reasonably be expected to cause the failure of that life-support device or system, or to affect the safety or effectiveness of that device or system. Life support devices or systems are intended to be implanted in the human body, or to support and/or maintain and sustain and/or protect human life. If they fail, it is reasonable to assume that the health of the user or other persons may be endangered.