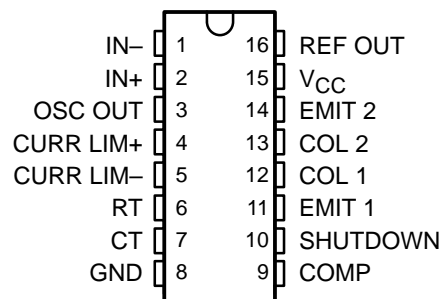


SG2524, SG3524 REGULATING PULSE-WIDTH MODULATORS

SLVS077D – APRIL 1977 – REVISED FEBRUARY 2003

- Complete Pulse-Width Modulation (PWM) Power-Control Circuitry
- Uncommitted Outputs for Single-Ended or Push-Pull Applications
- Low Standby Current . . . 8 mA Typ
- Interchangeable With Industry Standard SG2524 and SG3524

SG2524 . . . D OR N PACKAGE
SG3524 . . . D, N, OR NS PACKAGE
(TOP VIEW)



description/ordering information

The SG2524 and SG3524 incorporate all the functions required in the construction of a regulating power supply, inverter, or switching regulator on a single chip. They also can be used as the control element for high-power-output applications. The SG2524 and SG3524 were designed for switching regulators of either polarity, transformer-coupled dc-to-dc converters, transformerless voltage doublers, and polarity-converter applications employing fixed-frequency, pulse-width modulation (PWM) techniques. The complementary output allows either single-ended or push-pull application. Each device includes an on-chip regulator, error amplifier, programmable oscillator, pulse-steering flip-flop, two uncommitted pass transistors, a high-gain comparator, and current-limiting and shutdown circuitry.

ORDERING INFORMATION

T_A	INPUT REGULATION MAX (mV)	PACKAGE†		ORDERABLE PART NUMBER	TOP-SIDE MARKING
0°C to 70°C	30	PDIP (N)	Tube of 25	SG3524N	SG3524N
		SOIC (D)	Tube of 40	SG3524D	SG3524
			Reel of 2500	SG3524DR	
		SOP (NS)	Reel of 2000	SG3524NSR	SG3524
-25°C to 85°C	20	PDIP (N)	Tube of 25	SG2524N	SG2524N
		SOIC (D)	Tube of 40	SG2524D	SG2524
			Reel of 2500	SG2524DR	

† Package drawings, standard packing quantities, thermal data, symbolization, and PCB design guidelines are available at www.ti.com/sc/package.



Please be aware that an important notice concerning availability, standard warranty, and use in critical applications of Texas Instruments semiconductor products and disclaimers thereto appears at the end of this data sheet.

PRODUCTION DATA information is current as of publication date. Products conform to specifications per the terms of Texas Instruments standard warranty. Production processing does not necessarily include testing of all parameters.

 **TEXAS
INSTRUMENTS**

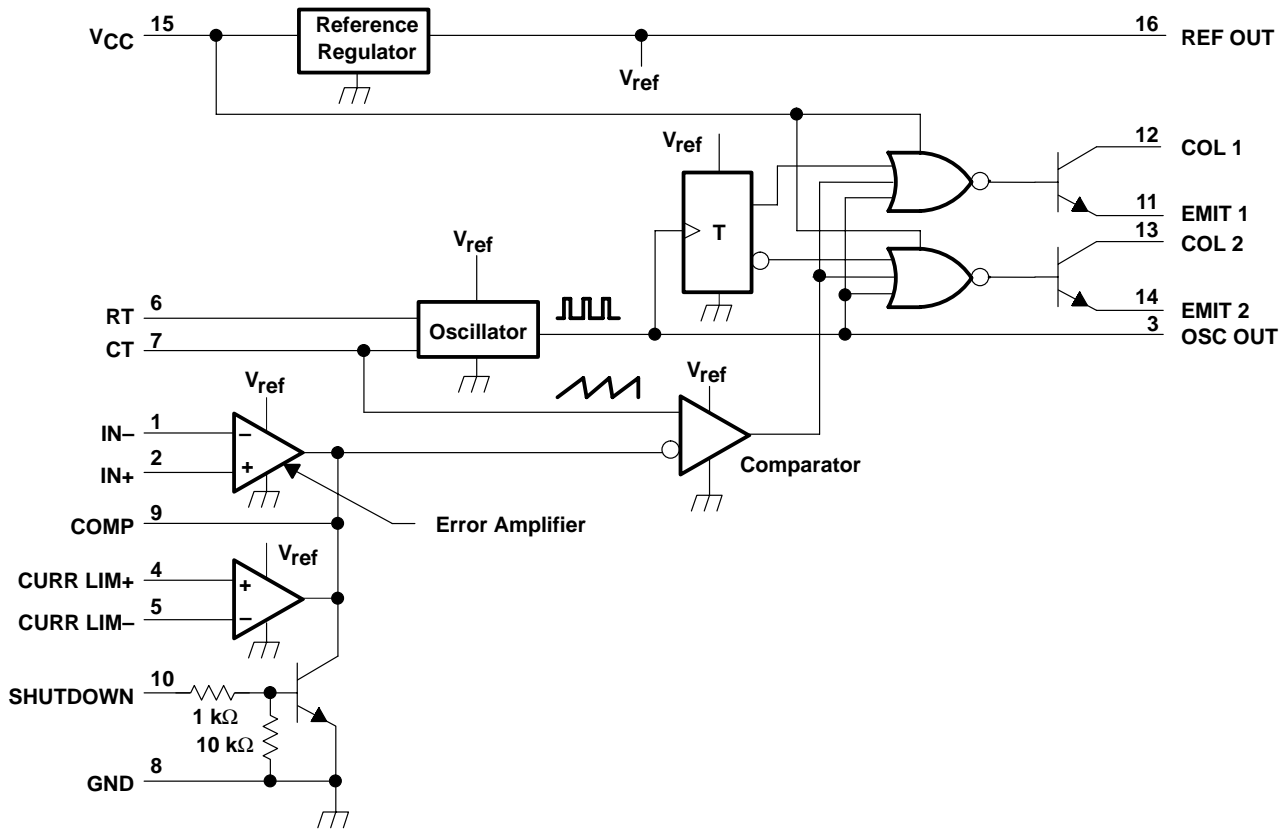
POST OFFICE BOX 655303 • DALLAS, TEXAS 75265

Copyright © 2003, Texas Instruments Incorporated

SG2524, SG3524 REGULATING PULSE-WIDTH MODULATORS

SLVS077D – APRIL 1977 – REVISED FEBRUARY 2003

functional block diagram



NOTE A: Resistor values shown are nominal.

absolute maximum ratings over operating free-air temperature range (unless otherwise noted)†

Supply voltage, V_{CC} (see Notes 1 and 2)	40 V
Collector output current, I_{CC}	100 mA
Reference output current, $I_{O(ref)}$	50 mA
Current through CT terminal	-5 mA
Operating virtual junction temperature, T_J	150°C
Package thermal impedance, θ_{JA} (see Notes 3 and 4):	
D package	73°C/W
N package	67°C/W
NS package	64°C/W
Lead temperature 1,6 mm (1/16 inch) from case for 10 seconds	260°C
Storage temperature range, T_{stg}	-65°C to 150°C

† Stresses beyond those listed under "absolute maximum ratings" may cause permanent damage to the device. These are stress ratings only, and functional operation of the device at these or any other conditions beyond those indicated under "recommended operating conditions" is not implied. Exposure to absolute-maximum-rated conditions for extended periods may affect device reliability.

NOTES: 1. All voltage values are with respect to network ground terminal.

2. The reference regulator may be bypassed for operation from a fixed 5-V supply by connecting the V_{CC} and reference output (REF OUT) pin both to the supply voltage. In this configuration, the maximum supply voltage is 6 V.

3. Maximum power dissipation is a function of $T_{J(max)}$, θ_{JA} , and T_A . The maximum allowable power dissipation at any allowable ambient temperature is $P_D = (T_{J(max)} - T_A)/\theta_{JA}$. Operation at the absolute maximum T_J of 150°C can impact reliability.

4. The package thermal impedance is calculated in accordance with JESD 51-7.



POST OFFICE BOX 655303 • DALLAS, TEXAS 75265

SG2524, SG3524 REGULATING PULSE-WIDTH MODULATORS

SLVS077D – APRIL 1977 – REVISED FEBRUARY 2003

recommended operating conditions

		MIN	MAX	UNIT	
V _{CC}	Supply voltage	8	40	V	
	Reference output current	0	50	mA	
	Current through CT terminal	-0.03	-2	mA	
R _T	Timing resistor	1.8	100	kΩ	
C _T	Timing capacitor	0.001	0.1	μF	
T _A	Operating free-air temperature	SG2524	-25	85	°C
		SG3524	0	70	

electrical characteristics over recommended operating free-air temperature range, V_{CC} = 20 V, f = 20 kHz (unless otherwise noted)

reference section

PARAMETER	TEST CONDITIONS†	SG2524			SG3524			UNIT
		MIN	TYP‡	MAX	MIN	TYP‡	MAX	
Output voltage		4.8	5	5.2	4.6	5	5.4	V
Input regulation	V _{CC} = 8 V to 40 V		10	20		10	30	mV
Ripple rejection	f = 120 Hz		66			66		dB
Output regulation	I _O = 0 mA to 20 mA		20	50		20	50	mV
Output voltage change with temperature	T _A = MIN to MAX		0.3%	1%		0.3%	1%	
Short-circuit output current§	V _{ref} = 0		100			100		mA

† For conditions shown as MIN or MAX, use the appropriate value specified under recommended operating conditions.

‡ All typical values, except for temperature coefficients, are at T_A = 25°C

§ Standard deviation is a measure of the statistical distribution about the mean, as derived from the formula:

$$\sigma = \sqrt{\frac{\sum_{n=1}^N (x_n - \bar{X})^2}{N - 1}}$$

oscillator section

PARAMETER		TEST CONDITIONS†		MIN	TYP‡	MAX	UNIT
f _{osc}	Oscillator frequency	C _T = 0.001 μF,	R _T = 2 kΩ		450		kHz
	Standard deviation of frequency§	All values of voltage, temperature, resistance, and capacitance constant			5%		
Δf _{osc}	Frequency change with voltage	V _{CC} = 8 V to 40 V,	T _A = 25°C			1%	
	Frequency change with temperature	T _A = MIN to MAX				2%	
	Output amplitude at OSC OUT	T _A = 25°C			3.5		V
t _w	Output pulse duration (width) at OSC OUT	C _T = 0.01 μF,	T _A = 25°C		0.5		μs

† For conditions shown as MIN or MAX, use the appropriate value specified under recommended operating conditions.

‡ All typical values, except for temperature coefficients, are at T_A = 25°C

§ Standard deviation is a measure of the statistical distribution about the mean, as derived from the formula:

$$\sigma = \sqrt{\frac{\sum_{n=1}^N (x_n - \bar{X})^2}{N - 1}}$$

SG2524, SG3524 REGULATING PULSE-WIDTH MODULATORS

SLVS077D – APRIL 1977 – REVISED FEBRUARY 2003

error amplifier section

PARAMETER	TEST CONDITIONS†	SG2524			SG3524			UNIT
		MIN	TYP‡	MAX	MIN	TYP‡	MAX	
V _{IO} Input offset voltage	V _{IC} = 2.5 V		0.5	5		2	10	mV
I _{IB} Input bias current	V _{IC} = 2.5 V		2	10		2	10	μA
Open-loop voltage amplification			72	80		60	80	dB
V _{ICR} Common-mode input voltage range	T _A = 25°C		1.8 to 3.4			1.8 to 3.4		V
CMMR Common-mode rejection ratio			70			70		dB
B ₁ Unity-gain bandwidth			3			3		MHz
Output swing	T _A = 25°C		0.5	3.8		0.5	3.8	V

† For conditions shown as MIN or MAX, use the appropriate value specified under recommended operating conditions.

‡ All typical values, except for temperature coefficients, are at T_A = 25°C

output section

PARAMETER	TEST CONDITIONS†	MIN	TYP‡	MAX	UNIT
V(BR)CE Collector-emitter breakdown voltage		40			V
Collector off-state current	V _{CE} = 40 V		0.01	50	μA
V _{sat} Collector-emitter saturation voltage	I _C = 50 mA		1	2	V
V _O Emitter output voltage	V _C = 20 V, I _E = -250 μA	17	18		V
t _r Turn-off voltage rise time	R _C = 2 kΩ		0.2		μs
t _f Turn-on voltage fall time	R _C = 2 kΩ		0.1		μs

† For conditions shown as MIN or MAX, use the appropriate value specified under recommended operating conditions.

‡ All typical values, except for temperature coefficients, are at T_A = 25°C.

comparator section

PARAMETER	TEST CONDITIONS†	MIN	TYP‡	MAX	UNIT
Maximum duty cycle, each output		45%			
V _{IT} Input threshold voltage at COMP	Zero duty cycle		1		V
	Maximum duty cycle		3.5		
I _{IB} Input bias current			-1		μA

† For conditions shown as MIN or MAX, use the appropriate value specified under recommended operating conditions.

‡ All typical values, except for temperature coefficients, are at T_A = 25°C.

current limiting section

PARAMETER	TEST CONDITIONS†	MIN	TYP‡	MAX	UNIT
V _I Input voltage range (either input)		-1 to 1			V
V(SENSE) Sense voltage at T _A = 25°C	V(IN+) - V(IN-) ≥ 50 mV, V(COMP) = 2 V	175	200	225	mV
Temperature coefficient of sense voltage			0.2		mV/°C

† All typical values, except for temperature coefficients, are at T_A = 25°C.

total device

PARAMETER	TEST CONDITIONS	MIN	TYP‡	MAX	UNIT
I _{st} Standby current	V _{CC} = 40 V, IN-, CURR LIM+, C _T , GND, COMP, EMIT 1, EMIT 2 grounded, IN+ at 2 V, All other inputs and outputs open		8	10	mA

† All typical values, except for temperature coefficients, are at T_A = 25°C.



PARAMETER MEASUREMENT INFORMATION

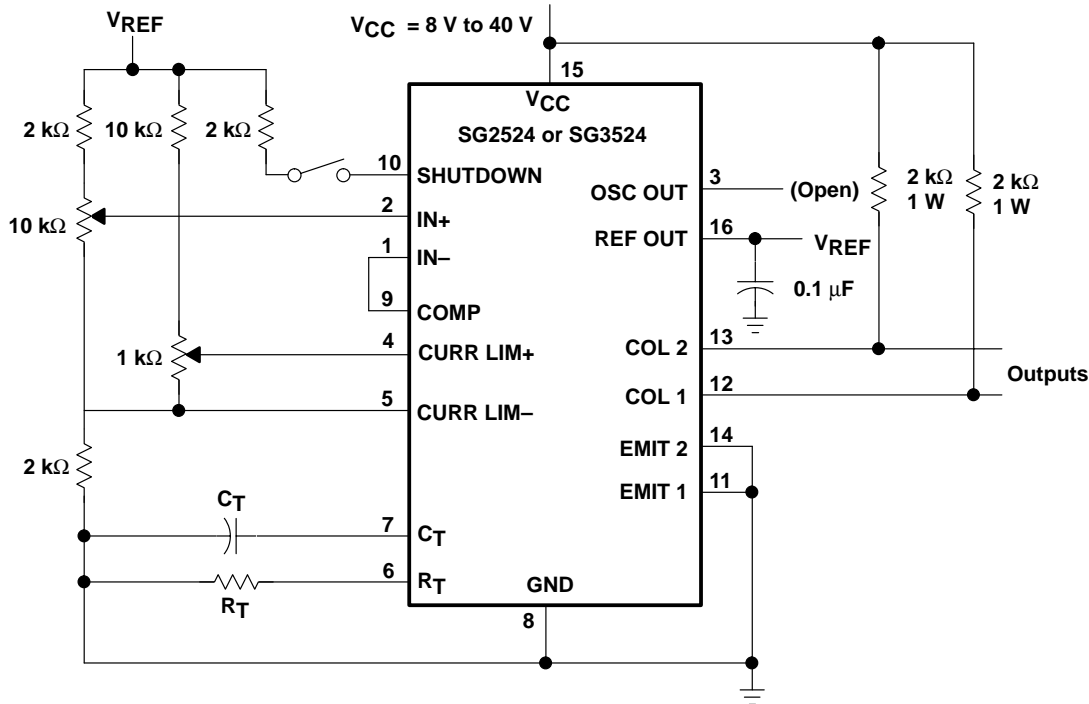


Figure 1. General Test Circuit

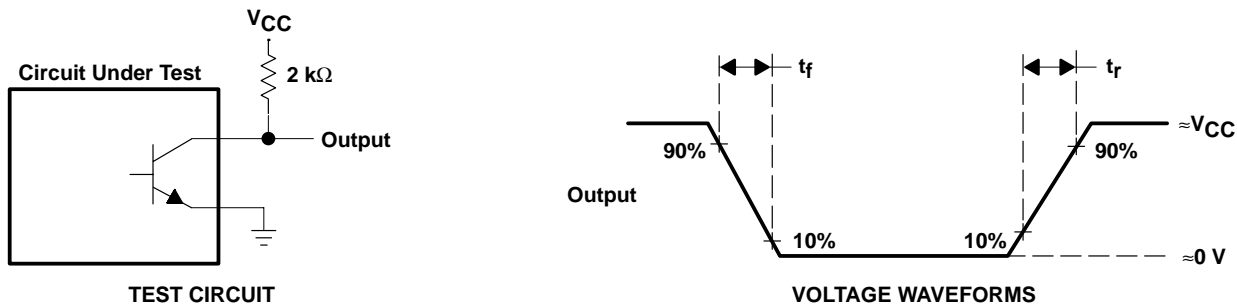
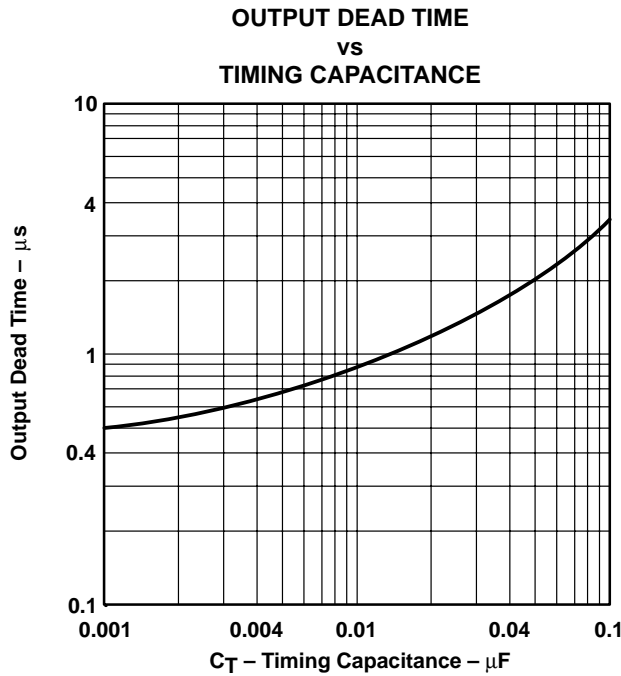
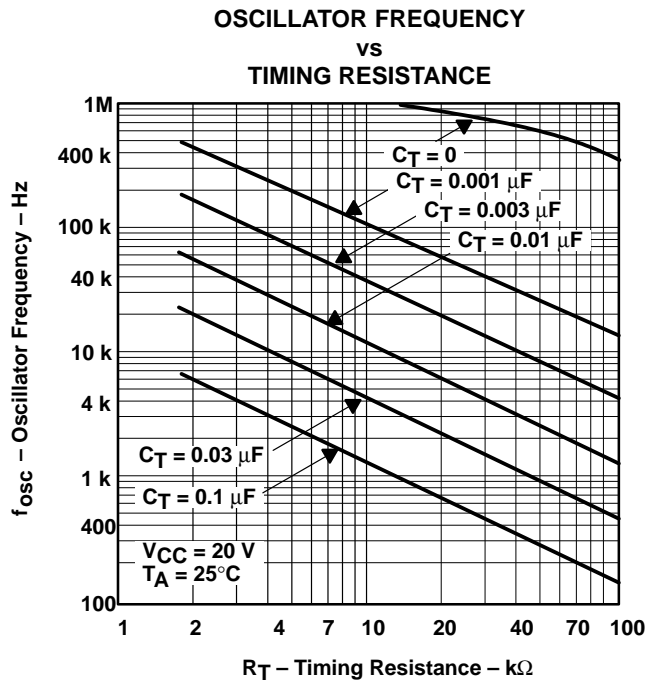
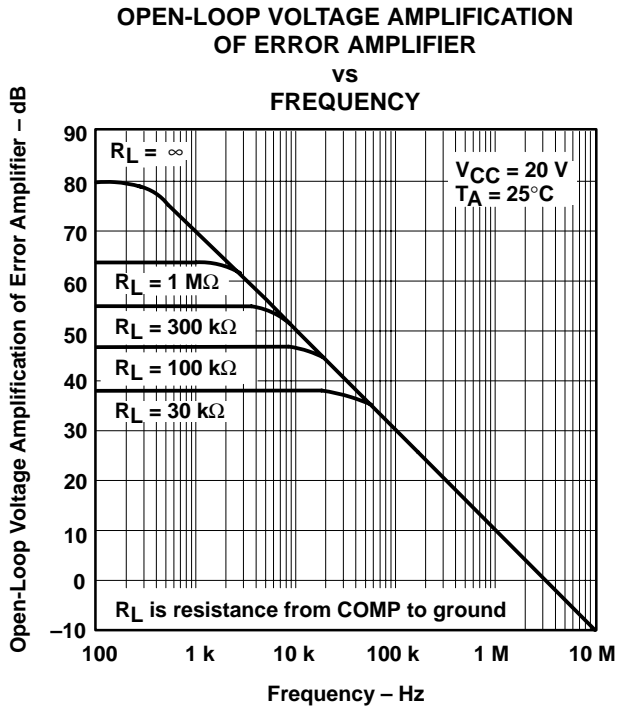


Figure 2. Switching Times

SG2524, SG3524 REGULATING PULSE-WIDTH MODULATORS

SLVS077D – APRIL 1977 – REVISED FEBRUARY 2003

TYPICAL CHARACTERISTICS



PRINCIPLES OF OPERATION†

The SG2524 is a fixed-frequency pulse-width-modulation (PWM) voltage-regulator control circuit. The regulator operates at a fixed frequency that is programmed by one timing resistor, R_T , and one timing capacitor, C_T . R_T establishes a constant charging current for C_T . This results in a linear voltage ramp at C_T , which is fed to the comparator, providing linear control of the output pulse duration (width) by the error amplifier. The SG2524 contains an onboard 5-V regulator that serves as a reference, as well as supplying the SG2524 internal regulator control circuitry. The internal reference voltage is divided externally by a resistor ladder network to provide a reference within the common-mode range of the error amplifier as shown in Figure 6, or an external reference can be used. The output is sensed by a second resistor divider network and the error signal is amplified. This voltage is then compared to the linear voltage ramp at C_T . The resulting modulated pulse out of the high-gain comparator then is steered to the appropriate output pass transistor (Q1 or Q2) by the pulse-steering flip-flop, which is synchronously toggled by the oscillator output. The oscillator output pulse also serves as a blanking pulse to ensure both outputs are never on simultaneously during the transition times. The duration of the blanking pulse is controlled by the value of C_T . The outputs may be applied in a push-pull configuration in which their frequency is one-half that of the base oscillator, or paralleled for single-ended applications in which the frequency is equal to that of the oscillator. The output of the error amplifier shares a common input to the comparator with the current-limiting and shut-down circuitry and can be overridden by signals from either of these inputs. This common point is pinned out externally via the COMP pin, which can be employed to either control the gain of the error amplifier or to compensate it. In addition, the COMP pin can be used to provide additional control to the regulator.

APPLICATION INFORMATION†

oscillator

The oscillator controls the frequency of the SG2524 and is programmed by R_T and C_T as shown in Figure 4.

$$f \approx \frac{1.30}{R_T C_T}$$

where: R_T is in $k\Omega$
 C_T is in μF
 f is in kHz

Practical values of C_T fall between 0.001 μF and 0.1 μF . Practical values of R_T fall between 1.8 $k\Omega$ and 100 $k\Omega$. This results in a frequency range typically from 130 Hz to 722 kHz.

blanking

The output pulse of the oscillator is used as a blanking pulse at the output. This pulse duration is controlled by the value of C_T as shown in Figure 5. If small values of C_T are required, the oscillator output pulse duration can be maintained by applying a shunt capacitance from OSC OUT to ground.

synchronous operation

When an external clock is desired, a clock pulse of approximately 3 V can be applied directly to the oscillator output terminal. The impedance to ground at this point is approximately 2 $k\Omega$. In this configuration, $R_T C_T$ must be selected for a clock period slightly greater than that of the external clock.

† Throughout these discussions, references to the SG2524 apply also to the SG3524.

SG2524, SG3524 REGULATING PULSE-WIDTH MODULATORS

SLVS077D – APRIL 1977 – REVISED FEBRUARY 2003

APPLICATION INFORMATION†

synchronous operation (continued)

If two or more SG2524 regulators are operated synchronously, all oscillator output terminals must be tied together. The oscillator programmed for the minimum clock period is the master from which all the other SG2524s operate. In this application, the $C_T R_T$ values of the slaved regulators must be set for a period approximately 10% longer than that of the master regulator. In addition, C_T (master) = 2 C_T (slave) to ensure that the master output pulse, which occurs first, has a longer pulse duration and, subsequently, resets the slave regulators.

voltage reference

The 5-V internal reference can be employed by use of an external resistor divider network to establish a reference common-mode voltage range (1.8 V to 3.4 V) within the error amplifiers (see Figure 6), or an external reference can be applied directly to the error amplifier. For operation from a fixed 5-V supply, the internal reference can be bypassed by applying the input voltage to both the V_{CC} and V_{REF} terminals. In this configuration, however, the input voltage is limited to a maximum of 6 V.

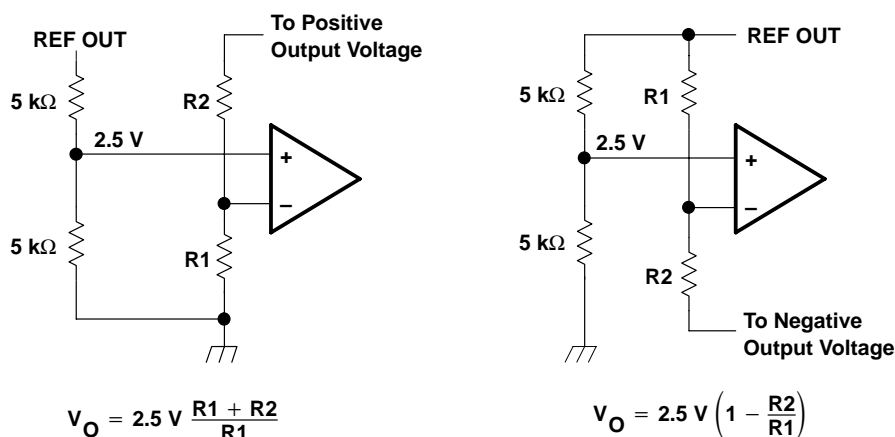


Figure 6. Error-Amplifier Bias Circuits

error amplifier

The error amplifier is a differential-input transconductance amplifier. The output is available for dc gain control or ac phase compensation. The compensation node (COMP) is a high-impedance node ($R_L = 5 \text{ M}\Omega$). The gain of the amplifier is $A_V = (0.002 \text{ }\Omega^{-1})R_L$ and easily can be reduced from a nominal 10,000 by an external shunt resistance from COMP to ground. Refer to Figure 3 for data.

compensation

COMP, as previously discussed, is made available for compensation. Since most output filters introduce one or more additional poles at frequencies below 200 Hz, which is the pole of the uncompensated amplifier, introduction of a zero to cancel one of the output filter poles is desirable. This can be accomplished best with a series RC circuit from COMP to ground in the range of 50 k Ω and 0.001 μF . Other frequencies can be canceled by use of the formula $f \approx 1/RC$.

† Throughout these discussions, references to the SG2524 apply also to the SG3524.

APPLICATION INFORMATION†

shutdown circuitry

COMP also can be employed to introduce external control of the SG2524. Any circuit that can sink 200 μA can pull the compensation terminal to ground and, thus, disable the SG2524.

In addition to constant-current limiting, CURR LIM+ and CURR LIM– also can be used in transformer-coupled circuits to sense primary current and shorten an output pulse should transformer saturation occur. CURR LIM– also can be grounded to convert CURR LIM+ into an additional shutdown terminal.

current limiting

A current-limiting sense amplifier is provided in the SG2524. The current-limiting sense amplifier exhibits a threshold of 200 mV ±25 mV and must be applied in the ground line since the voltage range of the inputs is limited to 1 V to –1 V. Caution should be taken to ensure the –1-V limit is not exceeded by either input, otherwise, damage to the device may result.

Foldback current limiting can be provided with the network shown in Figure 7. The current-limit schematic is shown in Figure 8.

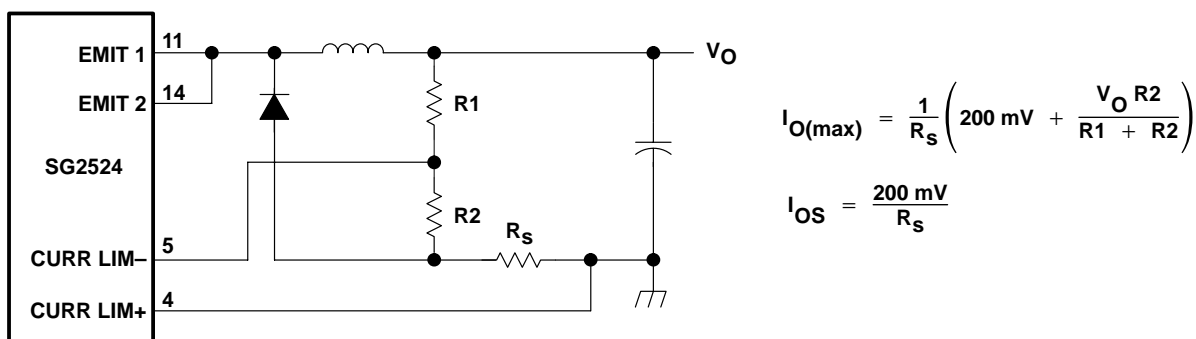


Figure 7. Foldback Current Limiting for Shorted Output Conditions

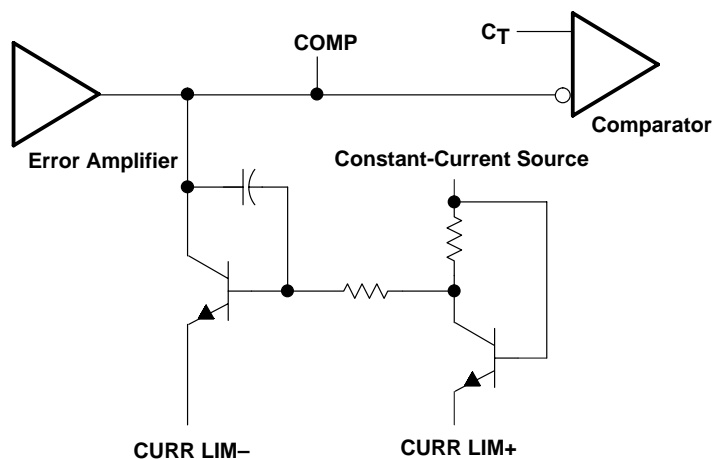


Figure 8. Current-Limit Schematic

† Throughout these discussions, references to the SG2524 apply also to the SG3524.

SG2524, SG3524 REGULATING PULSE-WIDTH MODULATORS

SLVS077D – APRIL 1977 – REVISED FEBRUARY 2003

APPLICATION INFORMATION†

output circuitry

The SG2524 contains two identical npn transistors, the collectors and emitters of which are uncommitted. Each transistor has antisaturation circuitry that limits the current through that transistor to a maximum of 100 mA for fast response.

general

There are a wide variety of output configurations possible when considering the application of the SG2524 as a voltage-regulator control circuit. They can be segregated into three basic categories:

- Capacitor-diode-coupled voltage multipliers
- Inductor-capacitor-implemented single-ended circuits
- Transformer-coupled circuits

Examples of these categories are shown in Figures 9, 10, and 11, respectively. Detailed diagrams of specific applications are shown in Figures 12–15.

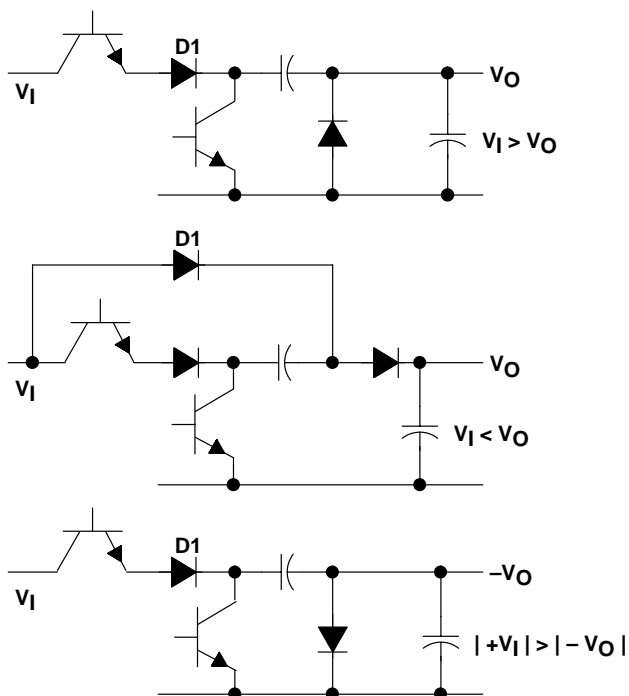


Figure 9. Capacitor-Diode-Coupled Voltage-Multiplier Output Stages

† Throughout these discussions, references to the SG2524 apply also to the SG3524.

APPLICATION INFORMATION†

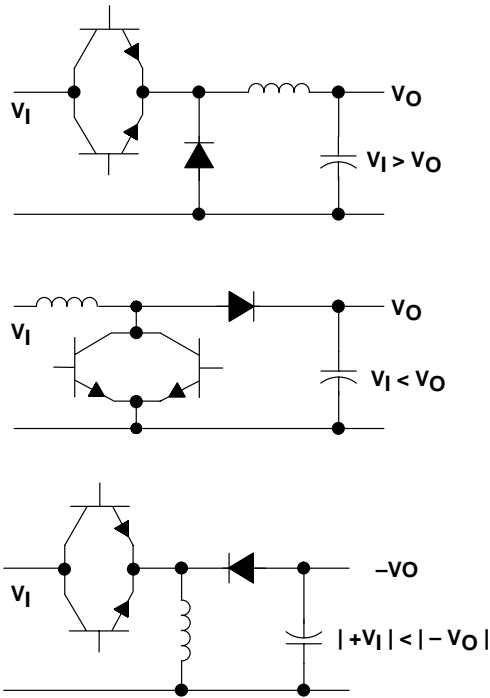


Figure 10. Single-Ended Inductor Circuit

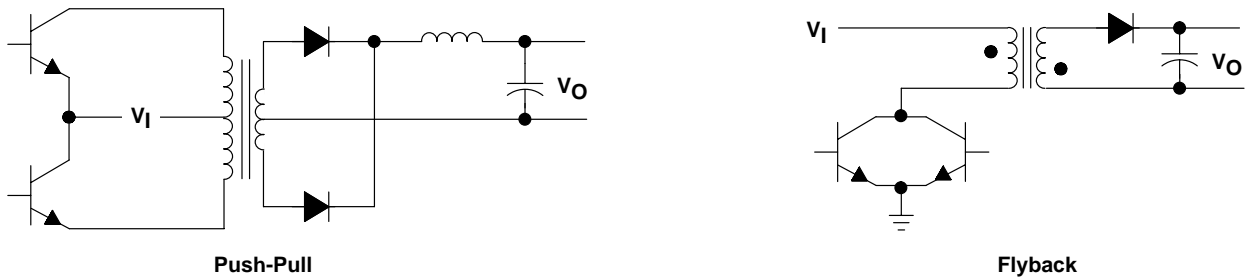


Figure 11. Transformer-Coupled Outputs

† Throughout these discussions, references to the SG2524 apply also to the SG3524.

SG2524, SG3524 REGULATING PULSE-WIDTH MODULATORS

SLVS077D – APRIL 1977 – REVISED FEBRUARY 2003

APPLICATION INFORMATION†

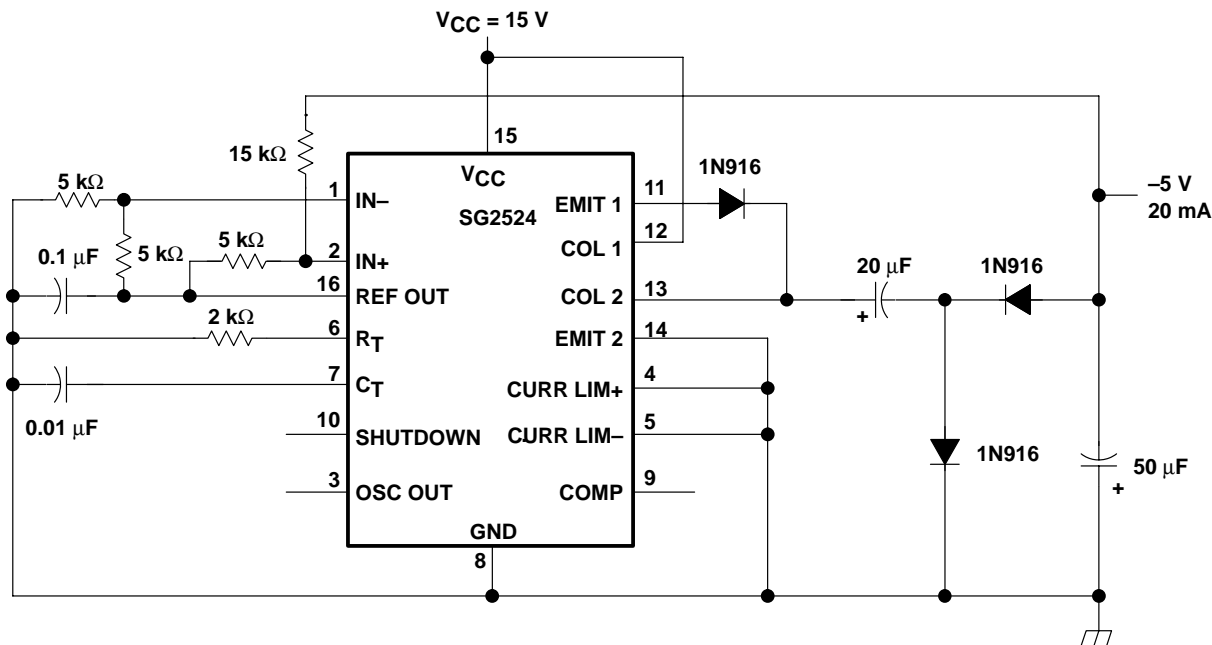


Figure 12. Capacitor-Diode Output Circuit

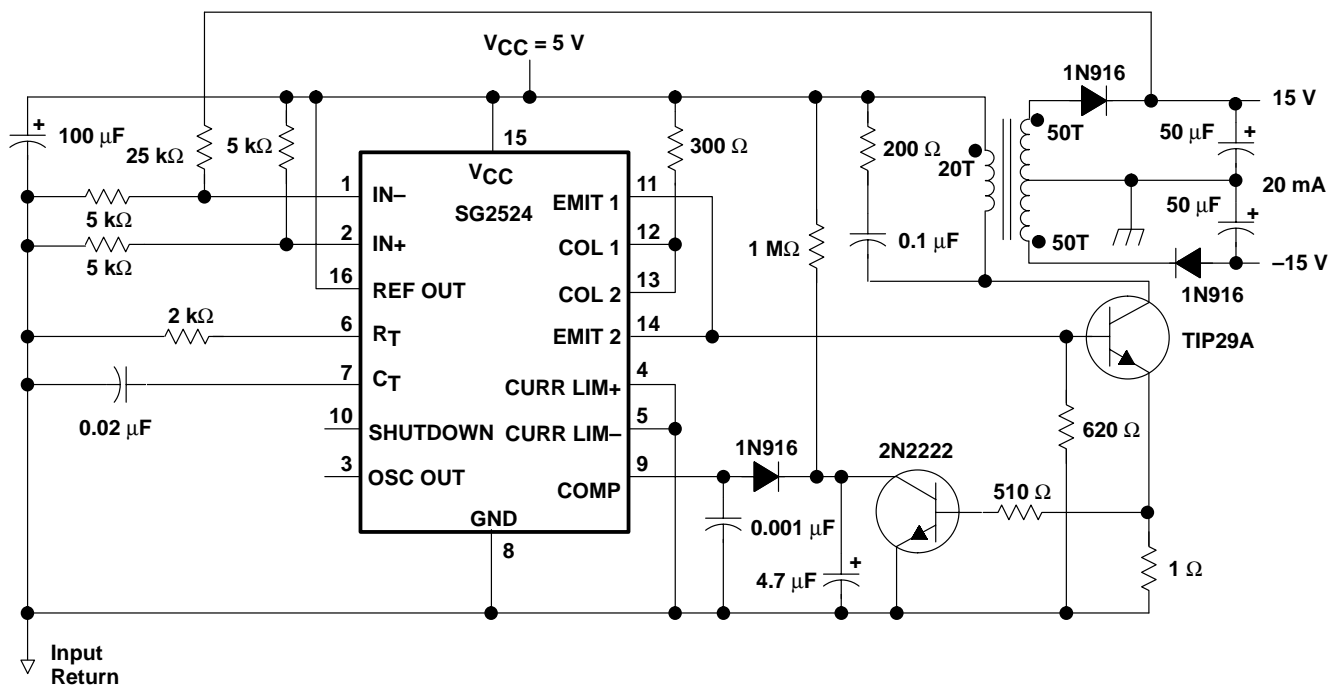


Figure 13. Flyback Converter Circuit

†Throughout these discussions, references to the SG2524 apply also to the SG3524.

APPLICATION INFORMATION†

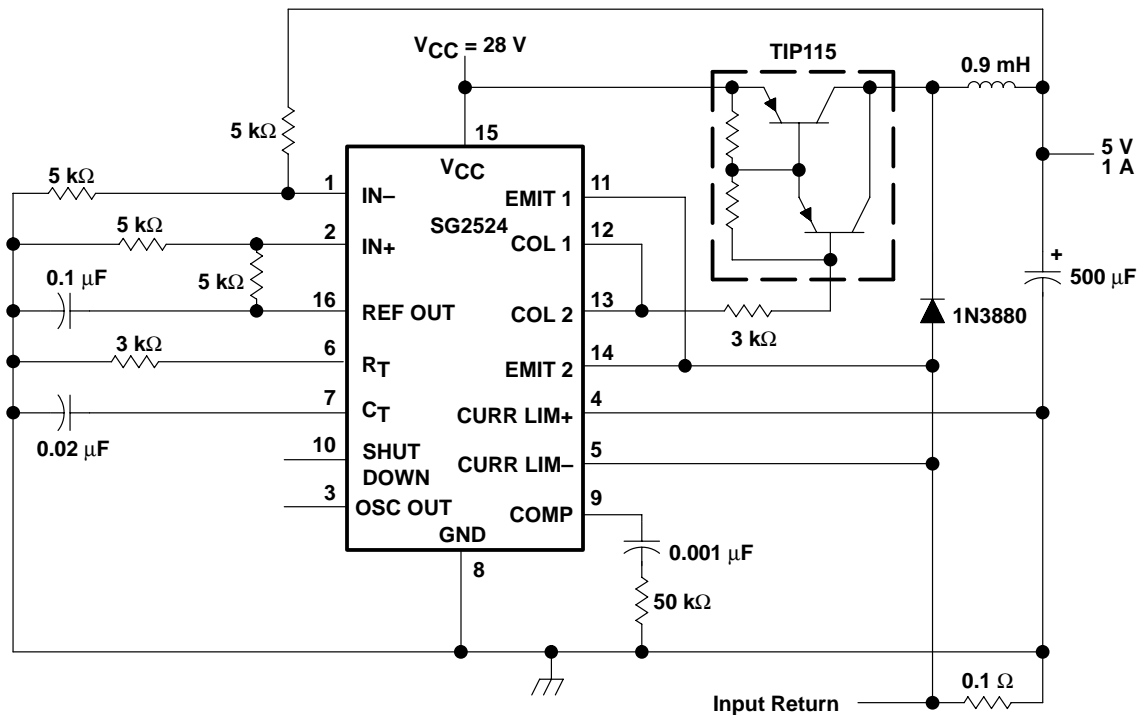


Figure 14. Single-Ended LC Circuit

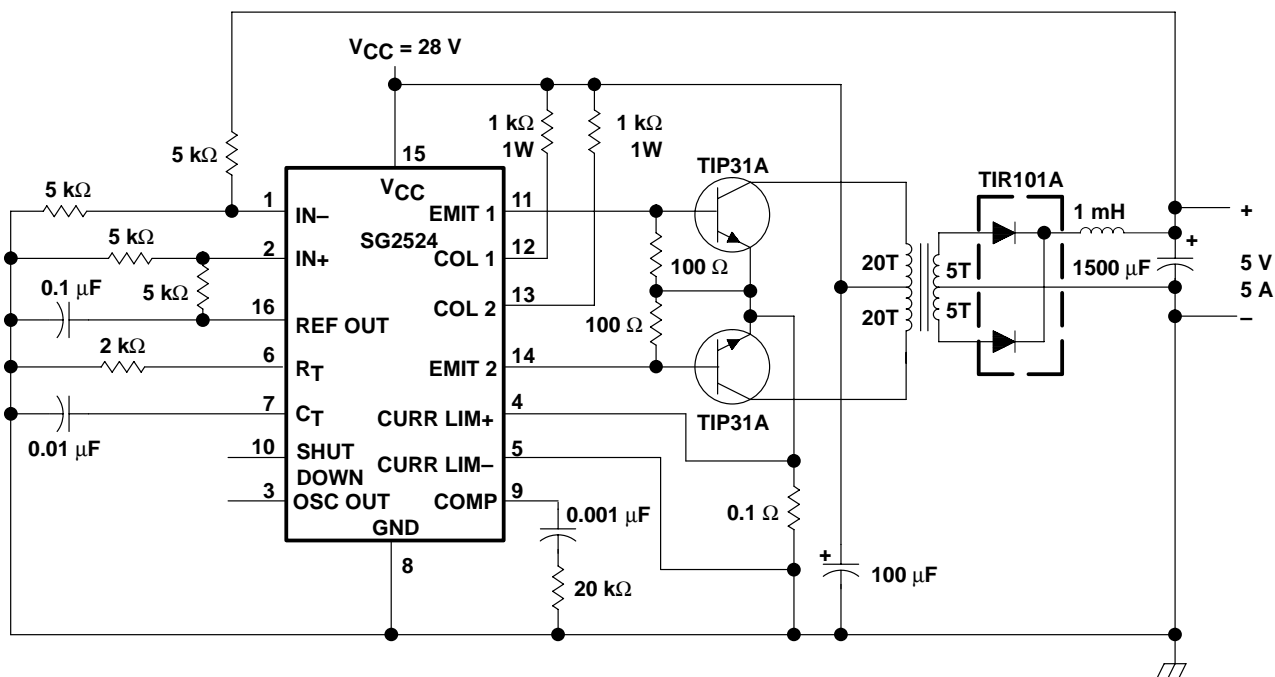


Figure 15. Push-Pull Transformer-Coupled Circuit

†Throughout these discussions, references to the SG2524 apply also to the SG3524.

PACKAGING INFORMATION

Orderable Device	Status ⁽¹⁾	Package Type	Package Drawing	Pins	Package Qty	Eco Plan ⁽²⁾	Lead/Ball Finish	MSL Peak Temp ⁽³⁾
SG2524D	ACTIVE	SOIC	D	16	40	Green (RoHS & no Sb/Br)	CU NIPDAU	Level-1-260C-UNLIM
SG2524DE4	ACTIVE	SOIC	D	16	40	Green (RoHS & no Sb/Br)	CU NIPDAU	Level-1-260C-UNLIM
SG2524DG4	ACTIVE	SOIC	D	16	40	Green (RoHS & no Sb/Br)	CU NIPDAU	Level-1-260C-UNLIM
SG2524DR	ACTIVE	SOIC	D	16	2500	Green (RoHS & no Sb/Br)	CU NIPDAU	Level-1-260C-UNLIM
SG2524DRE4	ACTIVE	SOIC	D	16	2500	Green (RoHS & no Sb/Br)	CU NIPDAU	Level-1-260C-UNLIM
SG2524DRG4	ACTIVE	SOIC	D	16	2500	Green (RoHS & no Sb/Br)	CU NIPDAU	Level-1-260C-UNLIM
SG2524J	OBSOLETE	CDIP	J	16		TBD	Call TI	Call TI
SG2524N	ACTIVE	PDIP	N	16	25	Pb-Free (RoHS)	CU NIPDAU	N / A for Pkg Type
SG2524NE4	ACTIVE	PDIP	N	16	25	Pb-Free (RoHS)	CU NIPDAU	N / A for Pkg Type
SG3524D	ACTIVE	SOIC	D	16	40	Green (RoHS & no Sb/Br)	CU NIPDAU	Level-1-260C-UNLIM
SG3524DE4	ACTIVE	SOIC	D	16	40	Green (RoHS & no Sb/Br)	CU NIPDAU	Level-1-260C-UNLIM
SG3524DG4	ACTIVE	SOIC	D	16	40	Green (RoHS & no Sb/Br)	CU NIPDAU	Level-1-260C-UNLIM
SG3524DR	ACTIVE	SOIC	D	16	2500	Green (RoHS & no Sb/Br)	CU NIPDAU	Level-1-260C-UNLIM
SG3524DRE4	ACTIVE	SOIC	D	16	2500	Green (RoHS & no Sb/Br)	CU NIPDAU	Level-1-260C-UNLIM
SG3524DRG4	ACTIVE	SOIC	D	16	2500	Green (RoHS & no Sb/Br)	CU NIPDAU	Level-1-260C-UNLIM
SG3524J	OBSOLETE	CDIP	J	16		TBD	Call TI	Call TI
SG3524N	ACTIVE	PDIP	N	16	25	Pb-Free (RoHS)	CU NIPDAU	N / A for Pkg Type
SG3524NE4	ACTIVE	PDIP	N	16	25	Pb-Free (RoHS)	CU NIPDAU	N / A for Pkg Type
SG3524NS	OBSOLETE	SO	NS	16		Green (RoHS & no Sb/Br)	CU NIPDAU	Level-1-260C-UNLIM
SG3524NSR	ACTIVE	SO	NS	16	2000	Green (RoHS & no Sb/Br)	CU NIPDAU	Level-1-260C-UNLIM
SG3524NSRE4	ACTIVE	SO	NS	16	2000	Green (RoHS & no Sb/Br)	CU NIPDAU	Level-1-260C-UNLIM
SG3524NSRG4	ACTIVE	SO	NS	16	2000	Green (RoHS & no Sb/Br)	CU NIPDAU	Level-1-260C-UNLIM

⁽¹⁾ The marketing status values are defined as follows:

ACTIVE: Product device recommended for new designs.

LIFEBUY: TI has announced that the device will be discontinued, and a lifetime-buy period is in effect.

NRND: Not recommended for new designs. Device is in production to support existing customers, but TI does not recommend using this part in a new design.

PREVIEW: Device has been announced but is not in production. Samples may or may not be available.

OBSOLETE: TI has discontinued the production of the device.

(2) Eco Plan - The planned eco-friendly classification: Pb-Free (RoHS), Pb-Free (RoHS Exempt), or Green (RoHS & no Sb/Br) - please check <http://www.ti.com/productcontent> for the latest availability information and additional product content details.

TBD: The Pb-Free/Green conversion plan has not been defined.

Pb-Free (RoHS): TI's terms "Lead-Free" or "Pb-Free" mean semiconductor products that are compatible with the current RoHS requirements for all 6 substances, including the requirement that lead not exceed 0.1% by weight in homogeneous materials. Where designed to be soldered at high temperatures, TI Pb-Free products are suitable for use in specified lead-free processes.

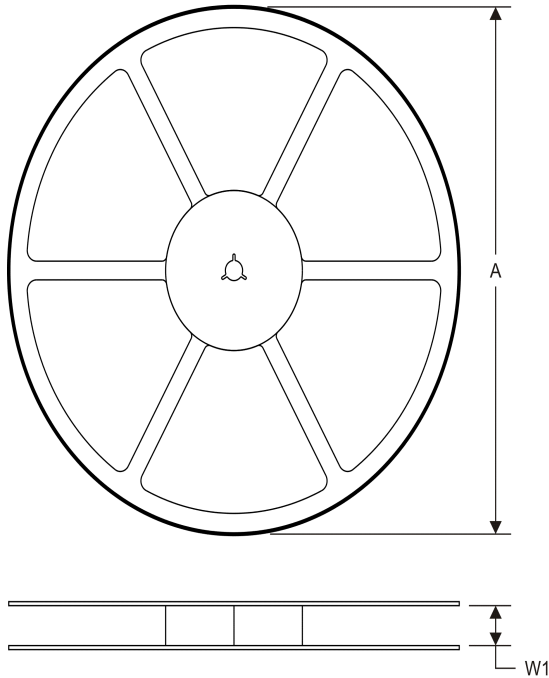
Pb-Free (RoHS Exempt): This component has a RoHS exemption for either 1) lead-based flip-chip solder bumps used between the die and package, or 2) lead-based die adhesive used between the die and leadframe. The component is otherwise considered Pb-Free (RoHS compatible) as defined above.

Green (RoHS & no Sb/Br): TI defines "Green" to mean Pb-Free (RoHS compatible), and free of Bromine (Br) and Antimony (Sb) based flame retardants (Br or Sb do not exceed 0.1% by weight in homogeneous material)

(3) MSL, Peak Temp. -- The Moisture Sensitivity Level rating according to the JEDEC industry standard classifications, and peak solder temperature.

Important Information and Disclaimer:The information provided on this page represents TI's knowledge and belief as of the date that it is provided. TI bases its knowledge and belief on information provided by third parties, and makes no representation or warranty as to the accuracy of such information. Efforts are underway to better integrate information from third parties. TI has taken and continues to take reasonable steps to provide representative and accurate information but may not have conducted destructive testing or chemical analysis on incoming materials and chemicals. TI and TI suppliers consider certain information to be proprietary, and thus CAS numbers and other limited information may not be available for release.

In no event shall TI's liability arising out of such information exceed the total purchase price of the TI part(s) at issue in this document sold by TI to Customer on an annual basis.

TAPE AND REEL INFORMATION
REEL DIMENSIONS

TAPE DIMENSIONS


A0	Dimension designed to accommodate the component width
B0	Dimension designed to accommodate the component length
K0	Dimension designed to accommodate the component thickness
W	Overall width of the carrier tape
P1	Pitch between successive cavity centers

TAPE AND REEL INFORMATION

*All dimensions are nominal

Device	Package Type	Package Drawing	Pins	SPQ	Reel Diameter (mm)	Reel Width W1 (mm)	A0 (mm)	B0 (mm)	K0 (mm)	P1 (mm)	W (mm)	Pin1 Quadrant
SG2524DR	SOIC	D	16	2500	330.0	16.4	6.5	10.3	2.1	8.0	16.0	Q1
SG3524DR	SOIC	D	16	2500	330.0	16.4	6.5	10.3	2.1	8.0	16.0	Q1
SG3524NSR	SO	NS	16	2000	330.0	16.4	8.2	10.5	2.5	12.0	16.0	Q1

TAPE AND REEL BOX DIMENSIONS



*All dimensions are nominal

Device	Package Type	Package Drawing	Pins	SPQ	Length (mm)	Width (mm)	Height (mm)
SG2524DR	SOIC	D	16	2500	333.2	345.9	28.6
SG3524DR	SOIC	D	16	2500	333.2	345.9	28.6
SG3524NSR	SO	NS	16	2000	367.0	367.0	38.0

J (R-GDIP-T**)

14 LEADS SHOWN

CERAMIC DUAL IN-LINE PACKAGE



DIM \ PINS **	14	16	18	20
A	0.300 (7,62) BSC	0.300 (7,62) BSC	0.300 (7,62) BSC	0.300 (7,62) BSC
B MAX	0.785 (19,94)	.840 (21,34)	0.960 (24,38)	1.060 (26,92)
B MIN	—	—	—	—
C MAX	0.300 (7,62)	0.300 (7,62)	0.310 (7,87)	0.300 (7,62)
C MIN	0.245 (6,22)	0.245 (6,22)	0.220 (5,59)	0.245 (6,22)



4040083/F 03/03

- NOTES:
- All linear dimensions are in inches (millimeters).
 - This drawing is subject to change without notice.
 - This package is hermetically sealed with a ceramic lid using glass frit.
 - Index point is provided on cap for terminal identification only on press ceramic glass frit seal only.
 - Falls within MIL STD 1835 GDIP1-T14, GDIP1-T16, GDIP1-T18 and GDIP1-T20.

N (R-PDIP-T**)

PLASTIC DUAL-IN-LINE PACKAGE

16 PINS SHOWN



4040049/E 12/2002



- NOTES:
- A. All linear dimensions are in inches (millimeters).
 - B. This drawing is subject to change without notice.
 - (C) Falls within JEDEC MS-001, except 18 and 20 pin minimum body length (Dim A).
 - (D) The 20 pin end lead shoulder width is a vendor option, either half or full width.

D (R-PDSO-G16)

PLASTIC SMALL OUTLINE



4040047-6/M 06/11

- NOTES:
- A. All linear dimensions are in inches (millimeters).
 - B. This drawing is subject to change without notice.
 -  C. Body length does not include mold flash, protrusions, or gate burrs. Mold flash, protrusions, or gate burrs shall not exceed 0.006 (0,15) each side.
 -  D. Body width does not include interlead flash. Interlead flash shall not exceed 0.017 (0,43) each side.
 - E. Reference JEDEC MS-012 variation AC.

D (R-PDSO-G16)

PLASTIC SMALL OUTLINE



- NOTES:
- All linear dimensions are in millimeters.
 - This drawing is subject to change without notice.
 - Publication IPC-7351 is recommended for alternate designs.
 - Laser cutting apertures with trapezoidal walls and also rounding corners will offer better paste release. Customers should contact their board assembly site for stencil design recommendations. Refer to IPC-7525 for other stencil recommendations.
 - Customers should contact their board fabrication site for solder mask tolerances between and around signal pads.

MECHANICAL DATA

NS (R-PDSO-G**)

PLASTIC SMALL-OUTLINE PACKAGE

14-PINS SHOWN



- NOTES:
- A. All linear dimensions are in millimeters.
 - B. This drawing is subject to change without notice.
 - C. Body dimensions do not include mold flash or protrusion, not to exceed 0,15.

IMPORTANT NOTICE

Texas Instruments Incorporated and its subsidiaries (TI) reserve the right to make corrections, enhancements, improvements and other changes to its semiconductor products and services per JESD46, latest issue, and to discontinue any product or service per JESD48, latest issue. Buyers should obtain the latest relevant information before placing orders and should verify that such information is current and complete. All semiconductor products (also referred to herein as "components") are sold subject to TI's terms and conditions of sale supplied at the time of order acknowledgment.

TI warrants performance of its components to the specifications applicable at the time of sale, in accordance with the warranty in TI's terms and conditions of sale of semiconductor products. Testing and other quality control techniques are used to the extent TI deems necessary to support this warranty. Except where mandated by applicable law, testing of all parameters of each component is not necessarily performed.

TI assumes no liability for applications assistance or the design of Buyers' products. Buyers are responsible for their products and applications using TI components. To minimize the risks associated with Buyers' products and applications, Buyers should provide adequate design and operating safeguards.

TI does not warrant or represent that any license, either express or implied, is granted under any patent right, copyright, mask work right, or other intellectual property right relating to any combination, machine, or process in which TI components or services are used. Information published by TI regarding third-party products or services does not constitute a license to use such products or services or a warranty or endorsement thereof. Use of such information may require a license from a third party under the patents or other intellectual property of the third party, or a license from TI under the patents or other intellectual property of TI.

Reproduction of significant portions of TI information in TI data books or data sheets is permissible only if reproduction is without alteration and is accompanied by all associated warranties, conditions, limitations, and notices. TI is not responsible or liable for such altered documentation. Information of third parties may be subject to additional restrictions.

Resale of TI components or services with statements different from or beyond the parameters stated by TI for that component or service voids all express and any implied warranties for the associated TI component or service and is an unfair and deceptive business practice. TI is not responsible or liable for any such statements.

Buyer acknowledges and agrees that it is solely responsible for compliance with all legal, regulatory and safety-related requirements concerning its products, and any use of TI components in its applications, notwithstanding any applications-related information or support that may be provided by TI. Buyer represents and agrees that it has all the necessary expertise to create and implement safeguards which anticipate dangerous consequences of failures, monitor failures and their consequences, lessen the likelihood of failures that might cause harm and take appropriate remedial actions. Buyer will fully indemnify TI and its representatives against any damages arising out of the use of any TI components in safety-critical applications.

In some cases, TI components may be promoted specifically to facilitate safety-related applications. With such components, TI's goal is to help enable customers to design and create their own end-product solutions that meet applicable functional safety standards and requirements. Nonetheless, such components are subject to these terms.

No TI components are authorized for use in FDA Class III (or similar life-critical medical equipment) unless authorized officers of the parties have executed a special agreement specifically governing such use.

Only those TI components which TI has specifically designated as military grade or "enhanced plastic" are designed and intended for use in military/aerospace applications or environments. Buyer acknowledges and agrees that any military or aerospace use of TI components which have **not** been so designated is solely at the Buyer's risk, and that Buyer is solely responsible for compliance with all legal and regulatory requirements in connection with such use.

TI has specifically designated certain components which meet ISO/TS16949 requirements, mainly for automotive use. Components which have not been so designated are neither designed nor intended for automotive use; and TI will not be responsible for any failure of such components to meet such requirements.

Products

Audio	www.ti.com/audio
Amplifiers	amplifier.ti.com
Data Converters	dataconverter.ti.com
DLP® Products	www.dlp.com
DSP	dsp.ti.com
Clocks and Timers	www.ti.com/clocks
Interface	interface.ti.com
Logic	logic.ti.com
Power Mgmt	power.ti.com
Microcontrollers	microcontroller.ti.com
RFID	www.ti-rfid.com
OMAP Applications Processors	www.ti.com/omap
Wireless Connectivity	www.ti.com/wirelessconnectivity

Applications

Automotive and Transportation	www.ti.com/automotive
Communications and Telecom	www.ti.com/communications
Computers and Peripherals	www.ti.com/computers
Consumer Electronics	www.ti.com/consumer-apps
Energy and Lighting	www.ti.com/energy
Industrial	www.ti.com/industrial
Medical	www.ti.com/medical
Security	www.ti.com/security
Space, Avionics and Defense	www.ti.com/space-avionics-defense
Video and Imaging	www.ti.com/video

TI E2E Community

e2e.ti.com