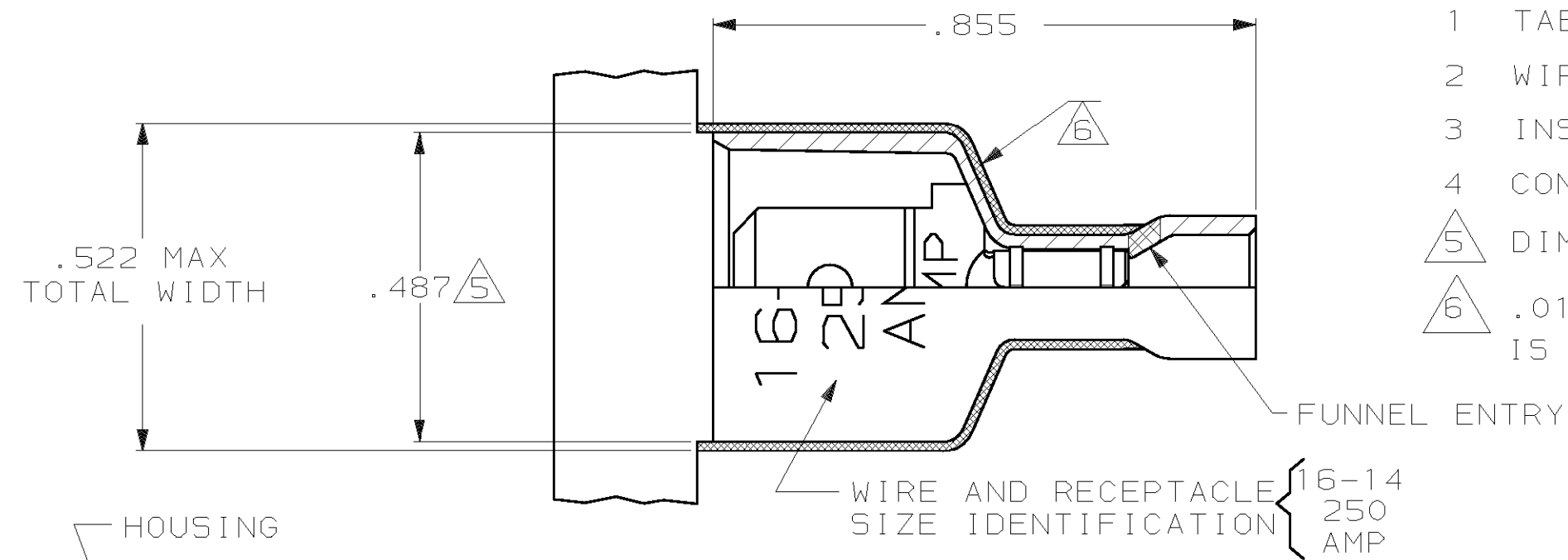
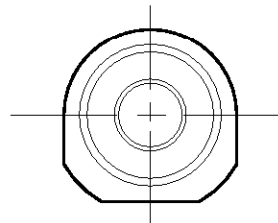
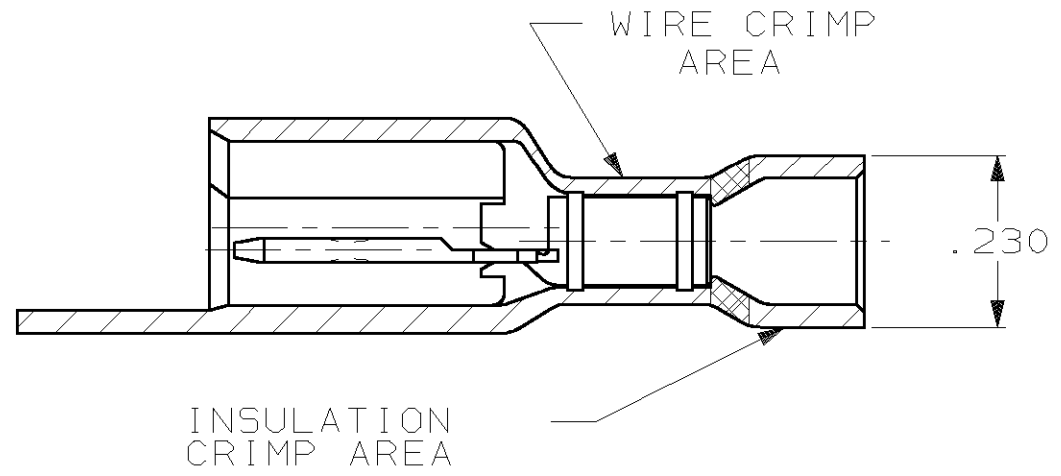
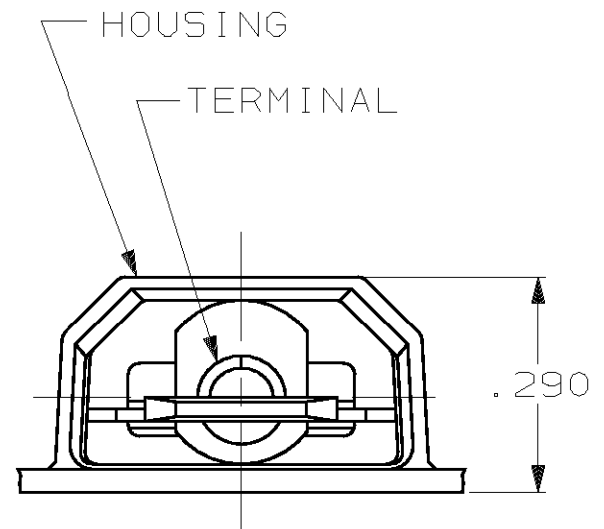


THIS DRAWING IS UNPUBLISHED. RELEASED FOR PUBLICATION ,19 .
 © COPYRIGHT 19 BY AMP INCORPORATED. ALL INTERNATIONAL RIGHTS RESERVED.

LOC AF	DIST 50	P	F	REVISIONS			DATE	APPD
				ZONE	LTR	DESCRIPTION		
					C	REV PER 0G3A-0298-01	15MAY01	JR/JH



- 1 TAB DIMENSIONS .032±.001×.250
- 2 WIRE STRIP LENGTH .281
- 3 INSULATION SIZE .090-.160 DIA
- 4 CONTINUOUS STRIP ON REELS
- △5 DIMENSION DOES NOT INCLUDE TRIM BURR
- △6 .015 MAX CARRIER TRIM BURR PER SIDE IS ALLOWABLE IN THE SHADED AREA



HOUSING: NYLON, COLOR-BLUE TRANSLUCENT		3-521057-2	
TAB: #3 HARD BRASS, TIN .000080 MIN		PART NO	
MATERIAL & FINISH		AMP INCORPORATED Harrisburg, Pa. 17105	
DO NOT SCALE PRINT. UNLESS SPECIFIED DIMENSIONS IN INCHES TOLERANCES ON: 2 PLC DEC ± - 3 PLC DEC ± .015 ANGLES ± -	DR 3/14/94 JR RUTH	NAME TAB ASSEMBLY, ULTRA-FAST, PLUS, .250 SERIES, 16-14 AWG	
MATERIAL SEE TABLE	CHK 3/14/94 MS FEHER		
FINISH SEE TABLE	APPD 3/14/94 D BRATINA	SIZE B	FSCM NO 00779
	APPD 3/14/94 V KARABCIEVSCHY	DRAWING NO 521057	
	PRODUCT SPEC 108-2017	SCALE 4:1	SHEET 1 OF 1
	APPLICATION SPEC 114-2123		
	WEIGHT -		