

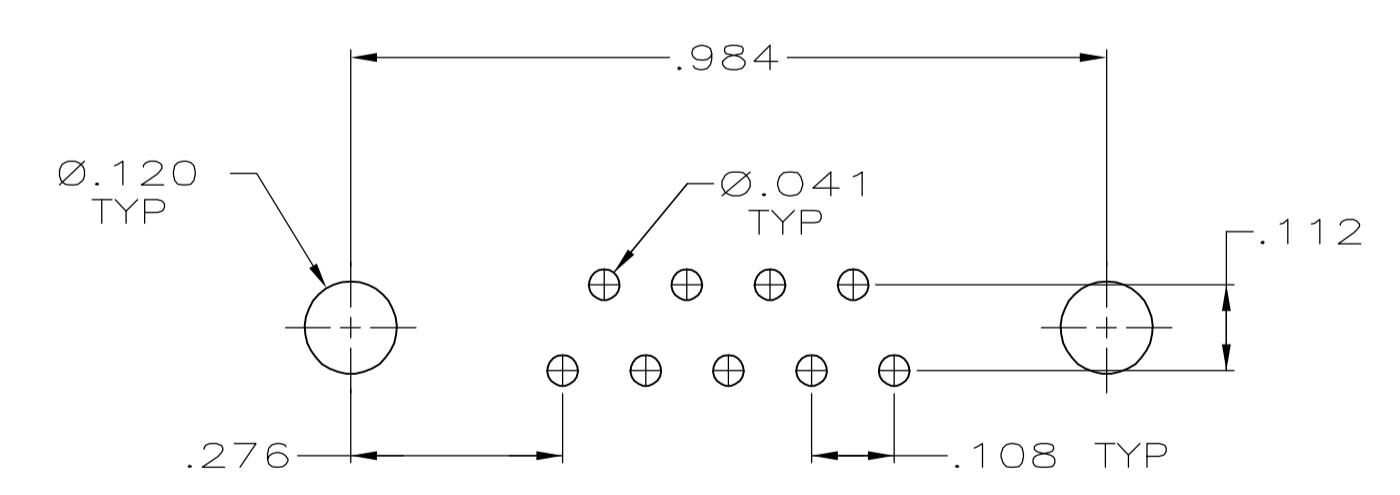
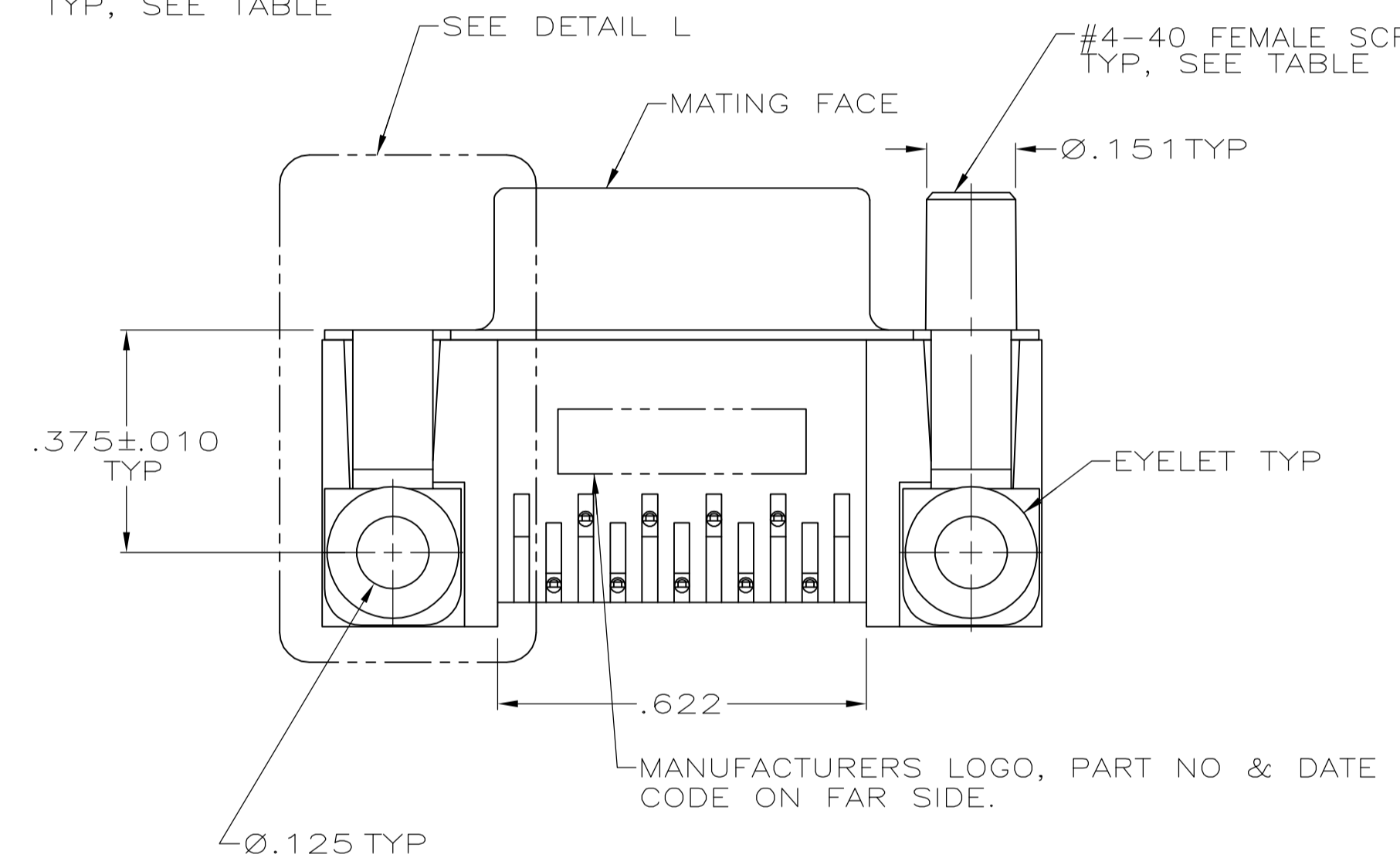
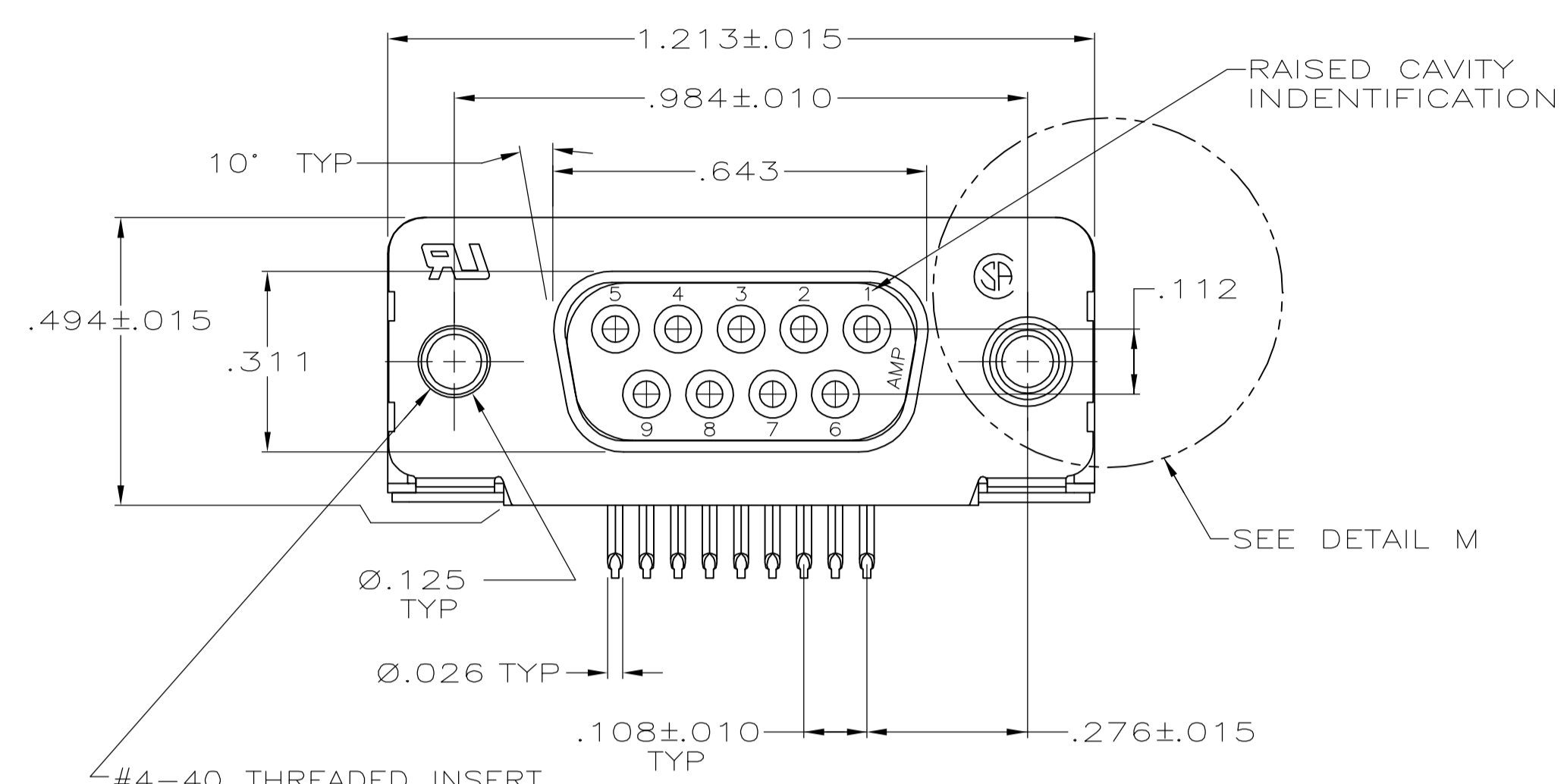
Distributed by:

JAMECO[®]
ELECTRONICS

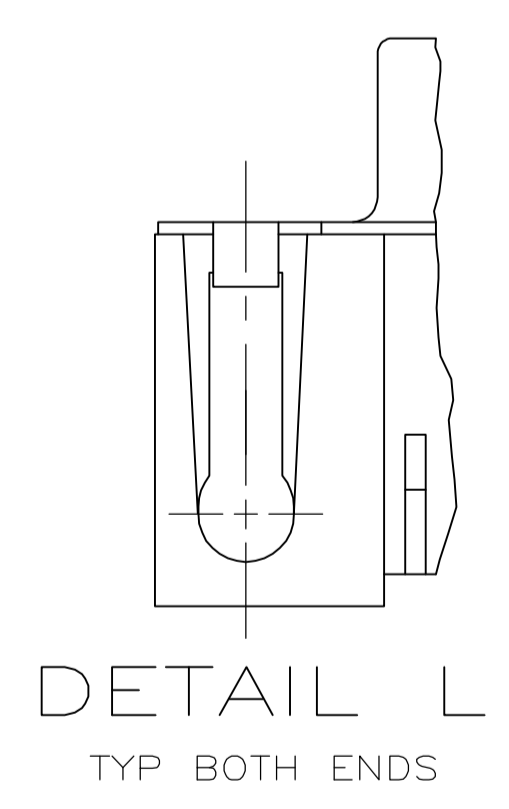
www.Jameco.com ♦ 1-800-831-4242

The content and copyrights of the attached
material are the property of its owner.

Jameco Part Number 960458



1. CONNECTOR MATES WITH ANY 9 POSN PLUG IN AMPLIMITE SERIES & COMPLIES WITH AMP SPEC 108-40005 WHERE APPLICABLE.
2. MOLDED PARTS: FLAME RETARDANT 94V-0 RATED THERMOPLASTIC, BLACK.
SHELL: CARBON STEEL.
CONTACTS: PHOSPHOR BRONZE.
EYELETS: BRASS.
SCREWLOCKS: ZINC.
INSERTS: ZINC.
3. SHELL: TIN PLATED.
CONTACTS: SEE TABLE.
EYELETS: TIN PLATED.
SCREWLOCKS: CLEAR CHROMATE.
INSERTS: CLEAR CHROMATE.
4. GOLD FLASH FOR A DISTANCE OF .100 MIN FROM MATING END, TIN PLATED .000100-.000200 ON OPPOSITE END, ALL OVER .000050 NICKEL.
5. .000030 GOLD FOR A DISTANCE OF .100 MIN FROM MATING END, TIN PLATED .000100-.000200 ON OPPOSITE END, ALL OVER .000050 NICKEL.



FEMALE SCREWLOCKS	5	5745781-6
THREADED INSERTS	5	5745781-4
THREADED INSERTS	4	5745781-3
NONE	5	5745781-2
MOUNTING HARDWARE	CONTACT FINISH	PART NUMBER

**COPYRIGHT 2005
 TYCO ELECTRONICS CORP
 ALL RIGHTS RESERVED**

THIS DRAWING IS A CONTROLLED DOCUMENT.		DIN	A. FERNANDEZ-DOCKS	04-05-05		Tyco Electronics Corporation Harrisburg, PA 17105-3608	
DIMENSIONS: INCHES		CHK	S. BOLASH	04-05-05		APVD	M. WALMSLEY
TOLERANCES UNLESS OTHERWISE SPECIFIED:		NAME		RCPT ASSY, SIZE 1, 9 POSN, RTANG, AMPLIMITE HD-20, WITH METAL SHELL, WITH OR WITHOUT SCREWLOCKS OR INSERTS		RESTRICTED TO	
0 PLC	± -	PRODUCT SPEC		108-40025		SIZE	
1 PLC	± -	APPLICATION SPEC		114-40010		WEIGHT	
2 PLC	± -	MATERIAL		A1		SCALE	
3 PLC	± .005	FINISH		C=5745781		SHEET	
4 PLC	± - ± Z	CUSTOMER DRAWING		SCALE 4:1		REV	
ANGLES	± - ± Z			SHEET 1 OF 1		REV 0	