

Distributed by:

JAMECO[®]
ELECTRONICS

www.Jameco.com ♦ 1-800-831-4242

The content and copyrights of the attached
material are the property of its owner.

Jameco Part Number 1819309



General Specifications

Motor Protection:

Auto Restart/Polarity Protection

Insulation Resistance: 10M Ω or over with a DC500V Megger

Dielectric Withstand Voltage: AC 700V 1s

Allowable Ambient Temperature Range:

B50 Class: -10°C ~ +60°C (Operating)

B10 ~ B40 Class: -10°C ~ +70°C (Operating)

All Class: -40°C ~ +70°C (Storage)
(non-condensing environment)

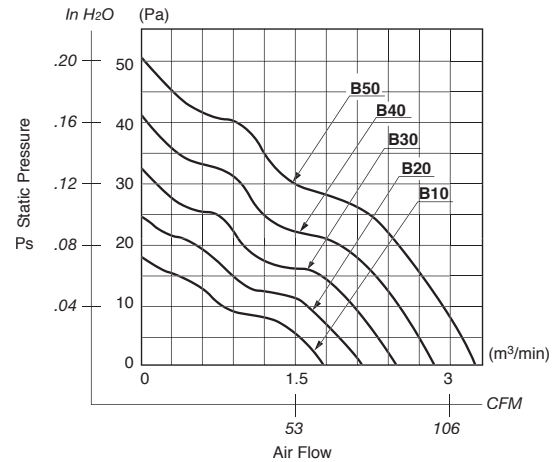
Expected Life

Failure Rate: 10%

25°C 100,000 Hours (B00, E00)

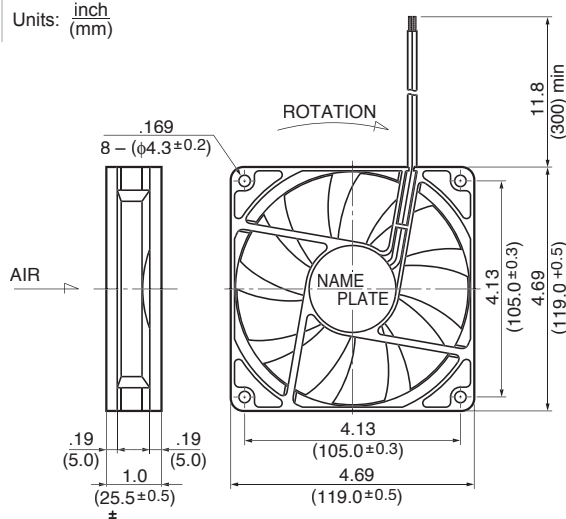
25°C 80,000 Hours (V00)

Characteristic Curves

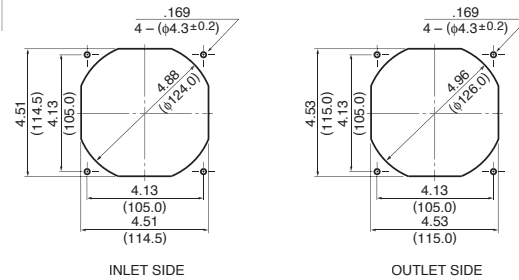


Outline

Units: $\frac{\text{inch}}{\text{mm}}$



Panel Cut-outs



Material

Casing : Plastic (Black) 94V-0

Impeller : Plastic (Black) 94V-0

Bearing : Ball Bearing

Lead Wire : UL1007, AWG24, +Red, -Black

Specifications

MODEL	Product No.	Rated Voltage	Operating Voltage	Current	Input Power	Speed	Max. Air Flow		Max. Static Pressure		Noise	Mass
		(V)	(V)				CFM ^{*1}	(m ³ /min) ^{*1}	in H ₂ O	(Pa) ^{*1}		
4710KL-04W-B10-	X00	12	6.0 ~ 13.8	0.12	1.44	1600	63.5	1.80	.07	17.9	27.0	180
4710KL-04W-B20-	X00	12	6.0 ~ 13.8	0.19	2.28	1900	75.9	2.15	.10	24.8	31.0	180
4710KL-04W-B30-	X00	12	6.0 ~ 13.8	0.28	3.36	2200	88.2	2.50	.13	32.3	35.0	180
4710KL-04W-B40-	X00	12	6.0 ~ 13.8	0.40	4.80	2500	100.6	2.85	.16	40.9	38.5	180
4710KL-04W-B50-	X00	12	6.0 ~ 13.0	0.55	6.60	2800	114.7	3.25	.20	50.5	41.5	180
4710KL-05W-B10-	X00	24	10.0 ~ 27.6	0.08	1.92	1600	63.5	1.80	.07	17.9	27.0	180
4710KL-05W-B20-	X00	24	10.0 ~ 27.6	0.10	2.40	1900	75.9	2.15	.10	24.8	31.0	180
4710KL-05W-B30-	X00	24	10.0 ~ 27.6	0.15	3.60	2200	88.2	2.50	.13	32.3	35.0	180
4710KL-05W-B40-	X00	24	10.0 ~ 27.6	0.22	5.28	2500	100.6	2.85	.16	40.9	38.5	180
4710KL-05W-B50-	X00	24	10.0 ~ 26.0	0.29	6.96	2800	114.7	3.25	.20	50.5	41.5	180

Rotation: Clockwise

Airflow Outlet: Air Out Over Struts

*1: Average Values in Free Air