

4184 NGX

DC axial compact fan



ebm-papst St. Georgen GmbH & Co. KG

Hermann-Papst-Straße 1

D-78112 St. Georgen

Phone +49 7724 81-0

Fax +49 7724 81-1309

info2@de.ebmpapst.com

www.ebmpapst.com

Nominal data

| Type | 4184 NGX | |
|--------------------------|-------------------|----------|
| Nominal voltage | VDC | 24 |
| Nominal voltage range | VDC | 12 .. 30 |
| Speed | min ⁻¹ | 2800 |
| Power input | W | 3.5 |
| Min. ambient temperature | °C | -10 |
| Max. ambient temperature | °C | 75 |
| Air flow | m ³ /h | 160 |
| Sound power level | B | 5.3 |
| Sound pressure level | dB(A) | 44 |

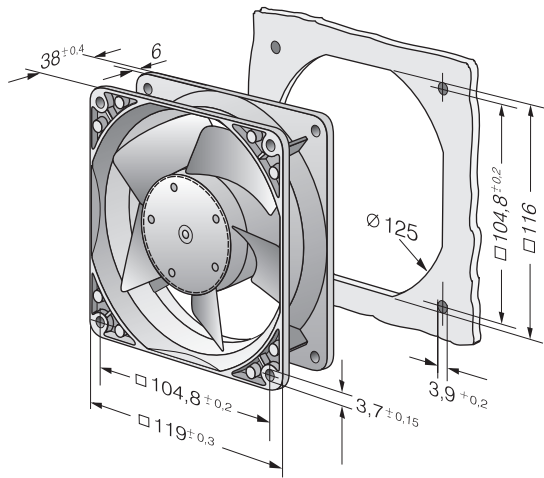
ml = max. load · me = max. efficiency · rfa = running at free air · cs = customer specs · cu = customer unit
Subject to alterations



Technical features

| | |
|--|--|
| Dimensions | 119 x 119 x 38 mm |
| General description | <p>Particular design features:</p> <p>Very rigid compression curve for high air flow at high counterpressure.</p> <p>Low operating noise level at high counterpressure.</p> <p>Optional Vario-Pro: Highly flexible software configuration for the fan ensures an easily customisable solution to meet the individual requirements of your application.</p> <p>General features:</p> <p>Housing made of aluminium, impeller made of fibreglass-reinforced PA; housing with grounding lug for M4 x 8 screw (Torx).</p> <p>Electronic commutation completely integrated.</p> <p>Protected against reverse polarity and locking.</p> <p>Electrical connection to flat plugs, 2.8 x 0.5 mm. Optionally with strands.</p> <p>Inlet over bars. Rotational direction clockwise looking at rotor.</p> <p>Mass: 390 g.</p> |
| Connection line | Flat plugs 2.8 x 0.5 mm. Optionally also available with strands. |
| Direction of rotation | Clockwise, looking at rotor |
| Direction of air flow | Inlet over bars |
| Bearing | Sintec sleeve bearing |
| Lifetime L10 at 40 °C | 85000 h |
| Lifetime L10 at maximum temperature | 37500 h |
| Mass | 0.390 kg |
| Housing material | Aluminum with grounding lugs for screw M4 x 8 (TORX). |
| Material of impeller | Fibreglass-reinforced PA plastic |
| Motor protection | Protected against reverse polarity and locking. |
| Approval | VDE, CSA, UL, CE |

Product drawing



Charts: Air flow

