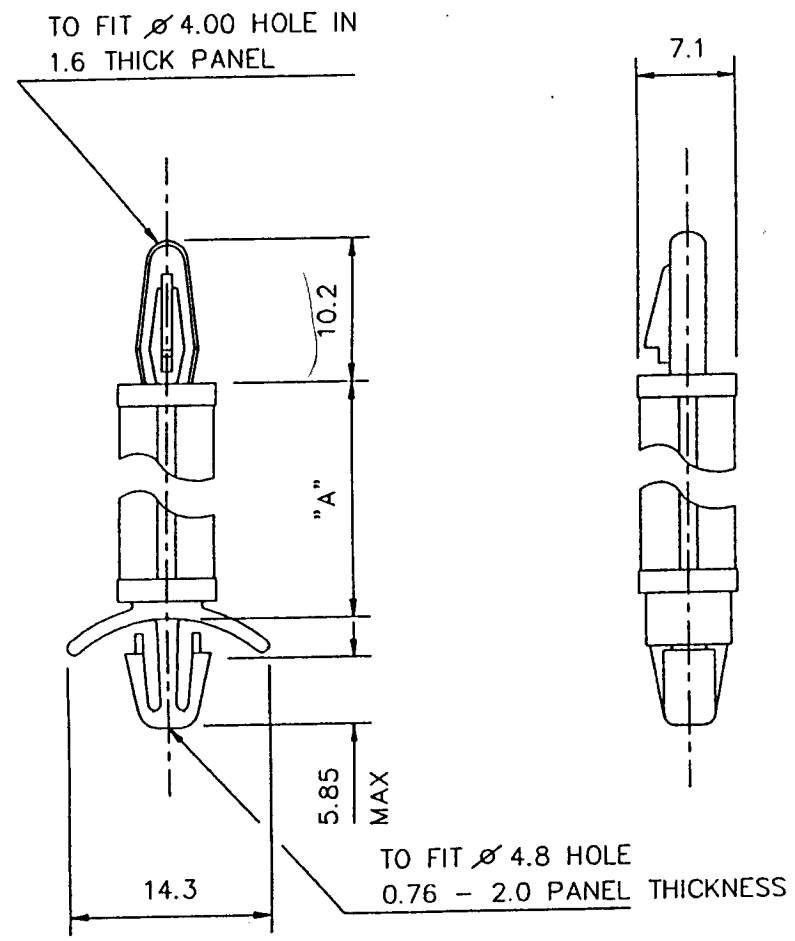


ISSUE No	REVISION	DATE	CHKD
A	DWG. REL	160893	



LCBS-3-01	4.8
LCBS-4-01	6.4
LCBS-5-01	7.9
LCBS-6-01	9.5
LCBS-7-01	11.1
LCBS-8-01	12.7
LCBS-10-01	15.9
LCBS-12-01	19.1
LCBS-14-01	22.2
LCBS-16-01	25.4
LCBS-18-01	28.6
LCBS-20-01	31.8
LCBS-22-01	34.9
PART No.	DIM. "A"

NOTES:

- STANDARD PACK QUANTITY: 1000
- ALL DIMENSIONS IN mm

<small>INFORMATION CONTAINED IN THIS DOCUMENT IS CONFIDENTIAL TO RICHCO INTERNATIONAL COMPANY AND MAY NOT BE DISCLOSED OR REPRODUCED IN WHOLE OR PART WITHOUT THEIR WRITTEN CONSENT</small>		DRN	MATERIAL: NYLON 6/6 (RMS-01)					
PART DESIGNED IN METRIC / IMPERIAL		PTG	COLOUR - NATURAL					
TOLERANCES -UNLESS OTHERWISE STATED		CHKD	TITLE LOCKING CIRCUIT BOARD SUPPORT					
<table border="1"> <tr> <td>1 PLACE</td> <td>± 0.25</td> </tr> <tr> <td>2 PLACE</td> <td>± ---</td> </tr> </table>		1 PLACE	± 0.25	2 PLACE	± ---	PG	DESCRIPTION	
1 PLACE	± 0.25							
2 PLACE	± ---							
ANGLES ± ---°		APPD	LCBS-X-01					
		SCALE	DRG No	SIZE				
		NTS	100 - 0001	A4				
			SHEET No	DATE				
			1 of 1	160893				