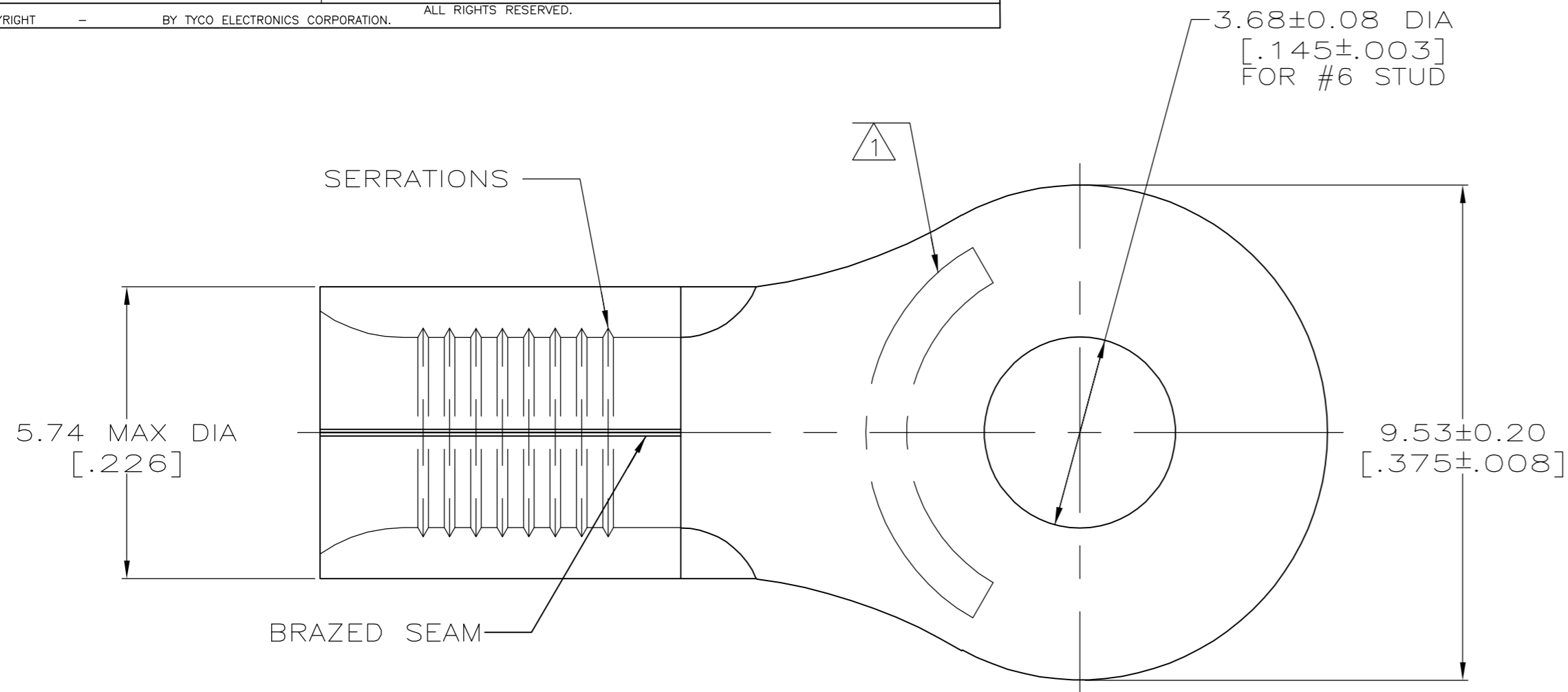
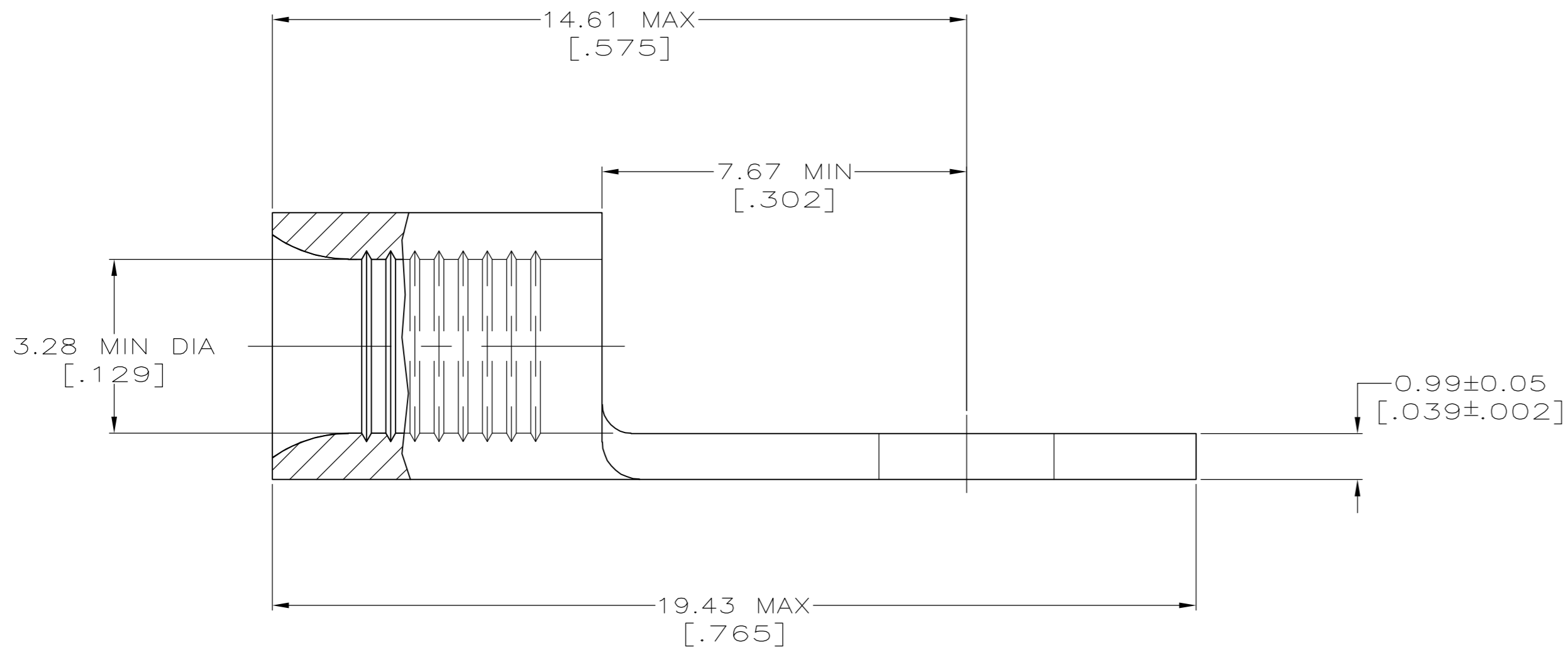


THIS DRAWING IS UNPUBLISHED. RELEASED FOR PUBLICATION
 © COPYRIGHT BY TYCO ELECTRONICS CORPORATION. ALL RIGHTS RESERVED.

LOC	DIST	REVISIONS			
P	LTR	DESCRIPTION	DATE	DWN	APVD
G	14	D1	REV PER ECR 06-027811	30NOV06	JR TM



AMP WIRE RANGE	Listed FILE E13288	LR7189 Certified
12-10 AWG SOLID OR STRANDED	12-10 AWG STRANDED	12-10 AWG SOLID OR STRANDED



- 1 STAMP AMP 12-10* APPROX AS SHOWN
- 2 TIN PLATE 0.00254 [.000100] MIN THK PER ASTM B-545
- 3 CLEANED, UNPLATED.
- 4 GOLD PLATE 0.00127 [.000050] MIN THK PER MIL-G-45204 OVER NICKEL PLATE 0.00076 [.000030] MIN THK PER QQ-N-290.
- 5 TIN/LEAD (93.7) PLATE PER ASTM-B545 (3% MIN LEAD CONTENT).
- 6 COPPER PER ASTM B-152, ANNEALED
- 7 PRELIMINARY - NOT FOR PRODUCTION

QTY	FINISH	PACKAGING TYPE	PART NO.
500	4	LOOSE PIECE	33456-5
500	3	LOOSE PIECE	33456-4
2500	2	ON TAPE	2-33456-1
500	5	LOOSE PIECE	33456-1
500	2	LOOSE PIECE	33456

AMP INCORPORATED CUSTOMER SERVICE SYSTEMS		MAX RECOMMENDED OPERATING TEMPERATURE: 170°C
FOR ADDITIONAL PRODUCT INFORMATION OR COPIES OF DRAWINGS AND TECHNICAL DOCUMENTS	PRODUCT INFORMATION CENTER 1-800-522-6752	VOLTAGE RATING: N/A
FOR APPLICATION TOOLING INFORMATION	TOOLING ASSISTANCE CENTER 1-800-722-1111	CIRCULAR MIL AREA: 2.62-6.64mm² [5,180-13,100] SOLID OR STRANDED
FOR ORDER ENTRY	1-800-526-5142	THIS DRAWING IS A CONTROLLED DOCUMENT FOR AMP INCORPORATED. IT IS SUBJECT TO CHANGE AND THE CONTROLLING ENGINEERING ORGANIZATION SHOULD BE CONTACTED FOR THE LATEST REVISION.

THIS DRAWING IS A CONTROLLED DOCUMENT.		DWN TA BRINKMAN 3-17-93	tyco Electronics		Tyco Electronics Corporation Harrisburg, PA 17105-3608
DIMENSIONS: INCHES		CHK DA PATTERSON 3-17-93	NAME TERMINAL, RING TONGUE, SOLISTRAND		
TOLERANCES UNLESS OTHERWISE SPECIFIED:		APVD JL MECKLEY 3-17-93	PRODUCT SPEC		
0 PLC ± -		APPLICATION SPEC			
1 PLC ± -		WEIGHT			
2 PLC ± -		A2 00779 C=33456			
3 PLC ± -		SCALE 10:1			
4 PLC ± -		SHEET 1 of 1			
4 ANGLES ± -		REV D1			
MATERIAL	FINISH	CUSTOMER DRAWING			
- 6	SEE NOTES				

Ring Tongue Terminals (Continued)

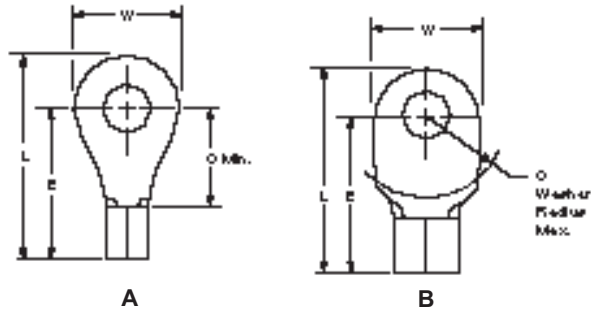
Wire Size Range

**AWG 16 to 10,
CMA 2,050 to 13,100
[1.04 to 6.64 mm²]**

Material

Terminal Body — Copper per
ASTM B-152

Plating — Tin per MIL-T-10727



Wire Size Circular Mills [mm ²]	Stud Size	Style	Dimensions				Material Thickness Max.	Wire Barrel I.D. Min.		Part Numbers	
			L Max.	E Max.	C	W		Solistrand	Budget	Solistrand	Budget
16-14 2,050-5,180 [1.04-2.62]	1/4 M6	A	.855	.618	.437	.469	.033	.085	.089	34124*	31164
			21.72	15.70	11.10	11.91	0.84	2.16	2.26	2-34124-1	
	5/16 M8	A	.855	.618	.437	.469	.033	.085	.089	34125*	31165
			21.72	15.70	11.10	11.91	0.84	2.16	2.26	2-34125-6	
	3/8	A	.995	.727	.546	.531	.033	.085	.089	34126*	31499
			25.27	18.47	13.87	13.49	0.84	2.16	2.26	2-34126-2	
1/2 M12	A	1.070	.711	.530	.713	.033	—	.089	—	328971	
		27.18	18.06	13.46	18.11	0.84	—	2.26	—		
14-12 3,260-8,230 [1.65-4.17]	8 M4	B	.685	.526	.250	.312	.042	.098	—	321827	—
			17.40	13.36	6.35	7.92	1.07	2.49	—	—	
	10	B	.739	.526	.250	.421	.042	.098	—	34484	—
			18.77	13.36	6.35	10.69	1.07	2.49	—	1-34484-0	
	1/4 M6	B	.685	.526	.250	.312	.042	.098	—	321828	—
			17.40	13.36	6.35	7.92	1.07	2.49	—	1-321828-0	
3/8	B	.739	.526	.250	.421	.042	.098	—	34487	—	
		18.77	13.36	6.35	10.69	1.07	2.49	—	—		
12-10 5,180-13,100 [2.62-6.64]	4	A	.630	.487	.219	.281	.042	.129	.134	322447	34891
			16.00	12.37	5.56	7.14	1.07	3.28	3.40	—	
	6 M3.5	A	.630	.487	.219	.281	.042	.129	.134	35476*	34892
			16.00	12.37	5.56	7.14	1.07	3.28	3.40	2-35476-1	
	A	.729	.570	.302	.312	.042	.129	.134	324911	324910	
		18.52	14.48	7.67	7.92	1.07	3.28	3.40	—		
	A	.765	.575	.302	.375	.042	.129	.134	33456	31112	
		19.43	14.61	7.67	9.53	1.07	3.28	3.40	2-33456-1		
	8 M4	A	.708	.549	.281	.312	.042	.129	.134	322454*	34404*
			17.98	13.94	7.14	7.92	1.07	3.28	3.40	—	
	A	.765	.575	.302	.375	.042	.129	.134	32994*	31113	
		19.43	14.61	7.67	9.53	1.07	3.28	3.40	2-32994-1		
	A	.723	.549	.281	.343	.042	.129	.134	322455	32882	
		18.36	13.94	7.14	8.71	1.07	3.28	3.40	2-322455-1		
	A	.765	.575	.302	.375	.042	.129	.134	33457*	31114*	
		19.43	14.61	7.67	9.53	1.07	3.28	3.40	2-33457-2		
	10	A	.808	.618	.343	.375	.042	.129	.134	31805	321829
			20.52	15.70	8.71	9.53	1.07	3.28	3.40	—	
	A	.865	.612	.344	.500	.042	.129	.134	35771*	34964	
		21.97	15.54	8.74	12.70	1.07	3.28	3.40	2-35771-1		
	A	1.004	.736	.468	.531	.042	.129	.134	36451	31120	
		25.50	18.69	11.89	13.49	1.07	3.28	3.40	—		
	1/4 M6	A	.865	.612	.344	.500	.042	.129	.134	35772*	34965
			21.97	15.54	8.74	12.70	1.07	3.28	3.40	2-35772-1	
A	1.004	.736	.468	.531	.042	.129	.134	33458*	31122*		
	25.50	18.69	11.89	13.49	1.07	3.28	3.40	2-33458-3			
5/16 M8	A	.865	.612	.344	.500	.042	—	.134	—	34966	
		21.97	15.54	8.74	12.70	1.07	—	3.40	—		
A	1.004	.736	.468	.531	.042	.129	.134	33459*	31123		
	25.50	18.69	11.89	13.49	1.07	3.28	3.40	2-33459-6			

Note: Part numbers are shown as loose piece over tape mounted product.

*Part numbers are available in small quantity packages.