

PROPER USE GUIDELINES

Cumulative Trauma Disorders can result from the prolonged use of manually powered hand tools. Hand tools are intended for occasional use and low volume applications. A wide selection of powered application equipment for extended-use, production operations is available.

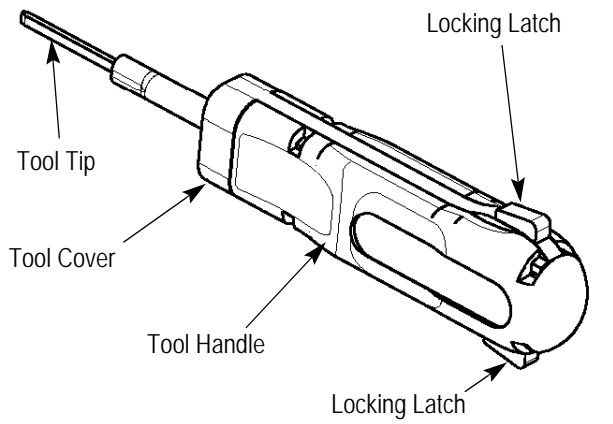
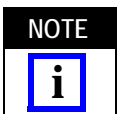


Figure 1

1. INTRODUCTION

This instruction sheet covers the use of Extraction Tool 1-1579007-4, which is designed to remove Junior Power Timer (JPT) and 2.8mm Fastin-Faston tab contacts from the connectors.



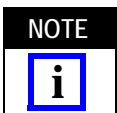
Dimensions on this sheet are in millimeters unless otherwise specified. Figures are not drawn to scale.

2. DESCRIPTION

Extraction Tool 1-1579007-4 consists of a tool handle, tool cover with locking latches, and an extraction tool tip. Refer to Figure 1.

The extraction tool tip is designed to enter the contact cavity in front of the connector and release the tab contact. When the extraction tool tip is bottomed in the contact cavity, the tip depresses the locking lance of the tab contact. The contact can then be removed from the housing by manually pulling on the wire.

3. EXTRACTION PROCEDURE



The secondary lock cover on the Junior Power Timer (JPT) and 2.8mm Fastin-Faston connectors must be in the pre-lock or open position before attempting to remove a contact.

1. Depress the locking latches (see Figure 1) on the extraction tool cover and slide the cover to expose the extraction tool tip.

2. While holding the connector, grasp the wire at the rear of the housing and push forward toward the mating end to disengage the contact locking lance from the connector cavity shoulder. See Figure 2.

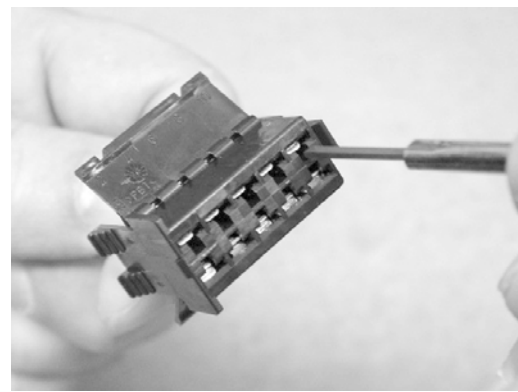


Figure 2

3. Fully insert the extraction tool tip into the window adjacent to the circuit cavity until it bottoms inside the window. See Figure 3.

4. Remove the contact from the connector by pulling on the wire attached to it.

5. Perform the same procedure for removing contacts from Fastin-Faston connectors. See Figure 4.

6. To protect the extraction tool tip when the tool is not being used, depress the locking latches on the extraction tool cover and slide the cover over tip.

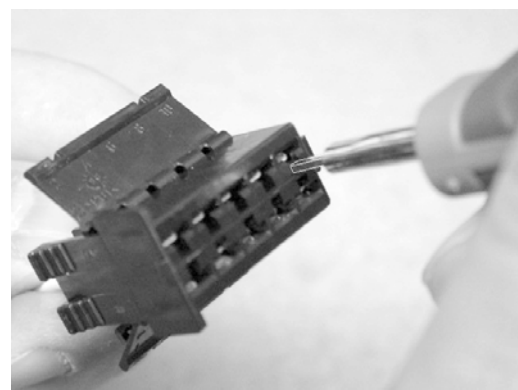
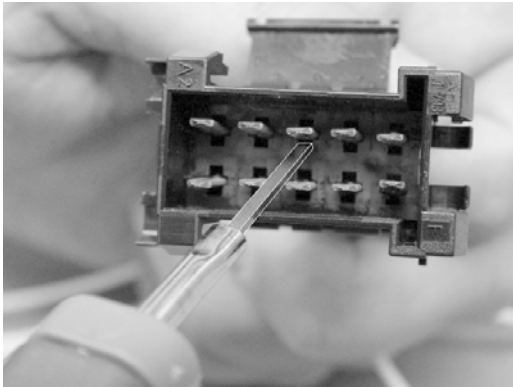


Figure 3

Push Wire and Insert Tool Into the Window



Fully Insert Tool Into Window and Pull Wire

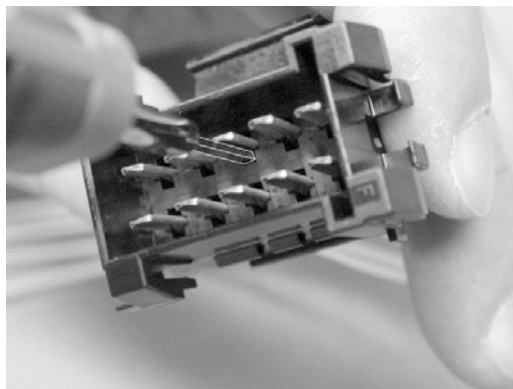


Figure 4

4. TOOL INSPECTION AND MAINTENANCE

The extraction tool should conform to the dimensions indicated in Figure 5. It is recommended that the tool be inspected upon arrival and at regularly scheduled intervals to insure that the tool has not become damaged during handling.

Additional tools may be ordered from:

CUSTOMER SERVICE (038-035)
 TYCO ELECTRONICS CORPORATION
 PO BOX 3608
 HARRISBURG PA 17105-3608

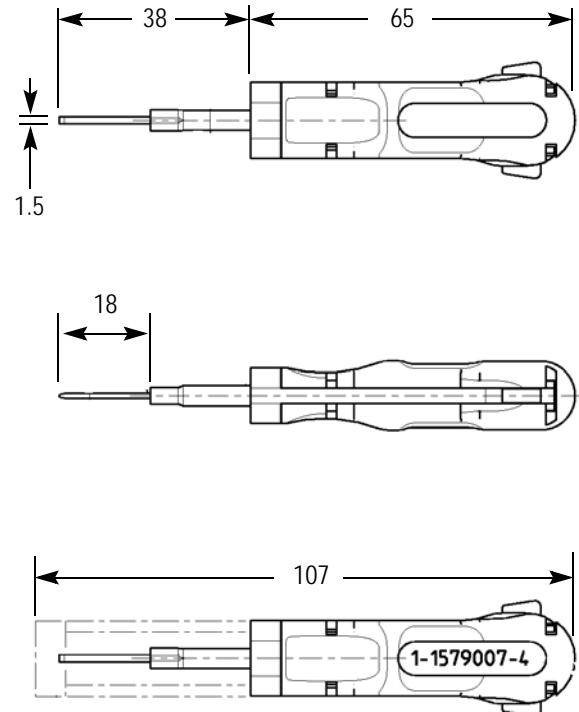


Figure 5

5. REVISION SUMMARY

- Removed old logos from graphics.
- Corrected dimension line position in Figure 5.
- Updated document to corporate requirements.