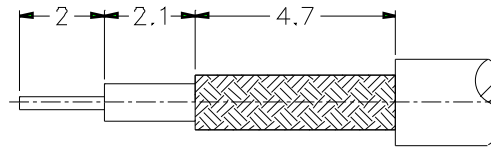
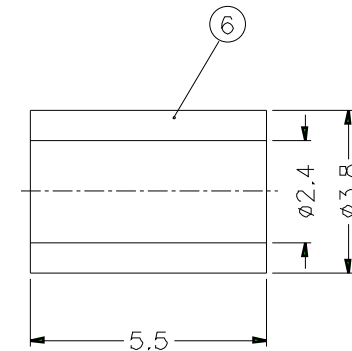
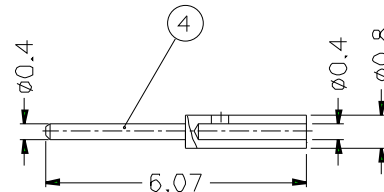
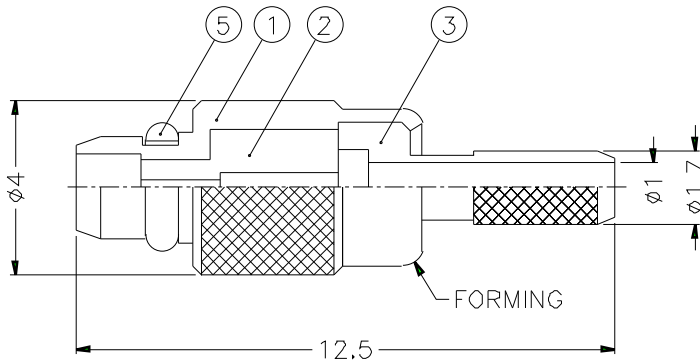


ISS		REVISIONS	
ZONE	DESCRIPTION\PER REQUEST\DATE		



RECOMMENDED  
CABLE STRIPPING DIM'S



1. CRIMPED FERRULE  
HEX CRIMP SIZE .128"

NOTES: FINISH (PLATING THICKNESS IN MICRO-INCHES)

1. BRASS PER QQ-B-626
2. GOLD PL. 3 MIN. THICK OVER NICKEL PL. 100 MIN. THICK OVER COPPER STRIKE
3. BERYLLIUM COPPER PER QQ-C-530
4. GOLD PL. 30 MIN. THICK OVER NICKEL PL. 100 MIN. THICK OVER COPPER STRIKE
5. TEFLON MIL-P-19468

NO.	DESCRIPTION	MATERIAL	FINISH	Q'TY	DRAWING NO.	SCALE	6/1	ISSUE	A	FILE NO.						
6	FERRULE	COPPER	NOTE 2	1	FR-38/24X55C	DIMENSIONS ARE IN MILLIMETERS UNLESS OTHERWISE SPECIFIED TOLERANCES 0.5-6 = ±0.2 6-30 = ±0.4 30-120 = ±0.6 120-315 = ±1 315-1000 = ±1.6 1000-2000 = ±2.4	PART NO. MMCX1121A1-3GT30G-14-50	APPROVED	DATE 10-11-01'	TITLE MMCX CRIMP PLUG (FOR RG-178B/U,196A/U)						
5	RETAINER RING	NOTE 3	NOTE 2	1	MMCX1121A1-5-C						CHECKED	DATE 10-11-01'	DRAWING NO. KJ-MMCX1121A1-3GT30G-196AU-50			
4	CONTACT PIN	NOTE 1	NOTE 4	1	MMCX1121A1-4-08/04-B									DRAWN	DATE 10-11-01'	ITEM NO.
3	BARREL	NOTE 1	NOTE 2	1	MMCX1121A1-3-17/1											
2	INSULATOR	NOTE 5	NATURAL	1	MMCX1121A1-2T-50-B											
1	BODY	NOTE 1	NOTE 2	1	MMCX1121A1-1-C											

**Amphenol**

TITLE MMCX CRIMP PLUG  
(FOR RG-178B/U,196A/U)

DRAWING NO.  
KJ-MMCX1121A1-3GT30G-196AU-50

ITEM NO.

1 2 3 4 5 6 7 8