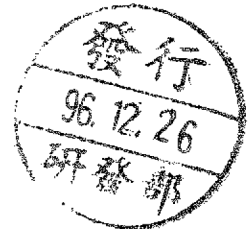
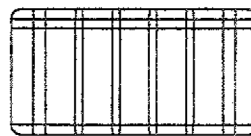
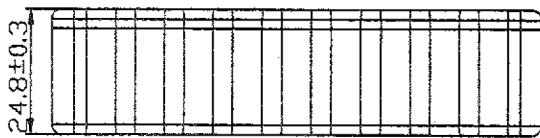
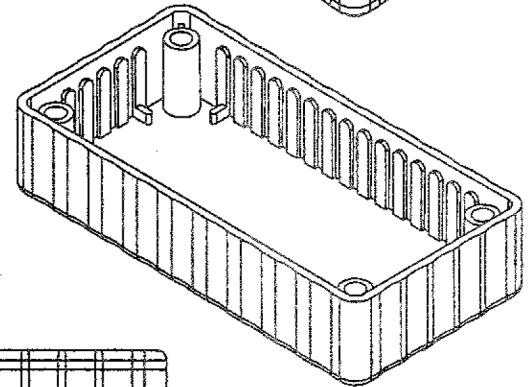
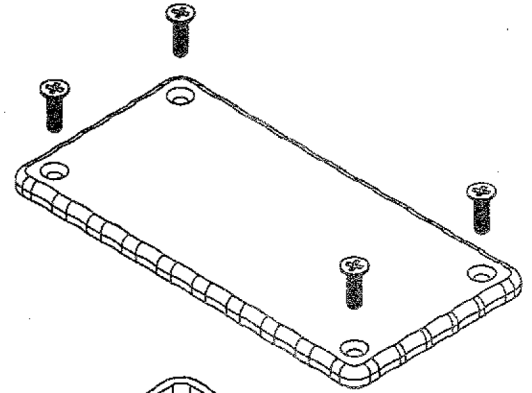
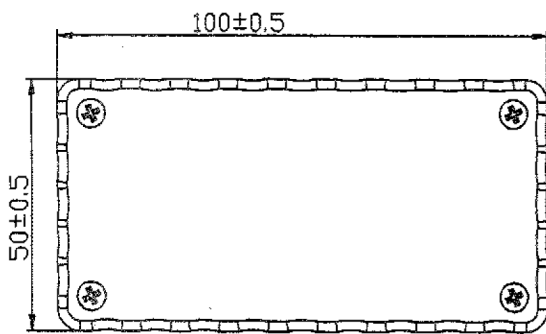


<b>Order code</b>	<b>Manufacturer code</b>	<b>Description</b>
30-3845	n/a	TRANSLUCENT BLUE BOX 100X50X25 RC

	Page 1 of 2
The enclosed information is believed to be correct, Information may change without notice due to product improvement. Users should ensure that the product is suitable for their use. E. & O. E.	Revision A 20/02/2007



**Features:**

1. Ideally suited for mounting printed circuit boards.
2. Perfect for applications where parts, sensors or indicators need to be visible.
3. Blue version is almost totally transparent to blue, white and near white LEDs, readouts & displays.
4. Integral card guides accept 1.5 mm
5. Lap joint construction provides protection against access of dust and splashing water.
6. Designed to meet IP54.
7. Molded from flame retardant, easy to machine, translucent polycarbonate (material carries a UL flammability rating of 94V-0).
8. Lid is secured with M3 x 10 mm Philips machine screws

A4

								△
								△
<b>Date</b>	<b>Name</b>	<b>Description</b>						<b>NO</b>
<b>Drawn</b>	<b>Checked</b>	<b>Approved</b>	<b>SCI BOM No.</b>	<b>Model Name</b>	Multipurpose Box			
			<b>Customer No.</b>	<b>Model No.</b>	R19-16A		<b>REV.</b>	
			<b>Unit</b>	mm	SHIN CHIN INDUSTRIAL CO., LTD.			