



Hi-Watt Battery Ind.Co., Ltd.

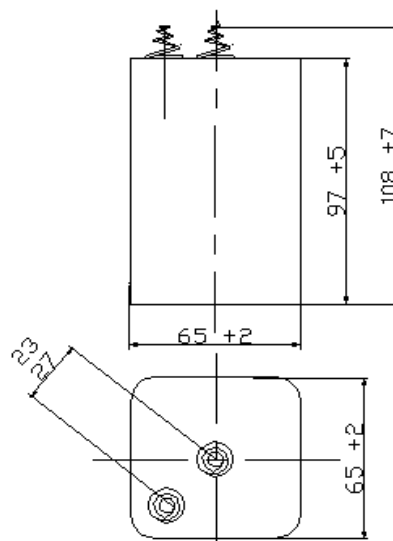
Product Specification

Zinc Chloride Battery (No Added Mercury or Cadmium)

Super Heavy Duty

Model	IEC	ANSI	JIS	NEDA
E4R25X(A)	4R25	908		908

Nominal	6.0V
Rated Capacity 110 Ω to 3.6 V	8700 mAh
Average	560 g
Terminals	Sping
Jacket	Plastic
OCV	6.4V
CCV 8.2 Ω 1 sec	5.7V
Shelf Life Temp 20 \pm 2 $^{\circ}$ C Humidity 45-75%	30 months



Minimum Average Discharge Performance	Service Life
9.1 Ω 0.5 H/H, 8H/D 3.6 V	660M
8.2 Ω 0.5 H/day 3.6 V	620M
110 Ω 12 H/day 3.6 V	200H
After 12 months storage	90%