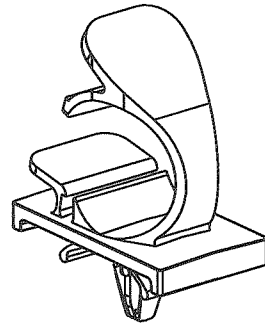
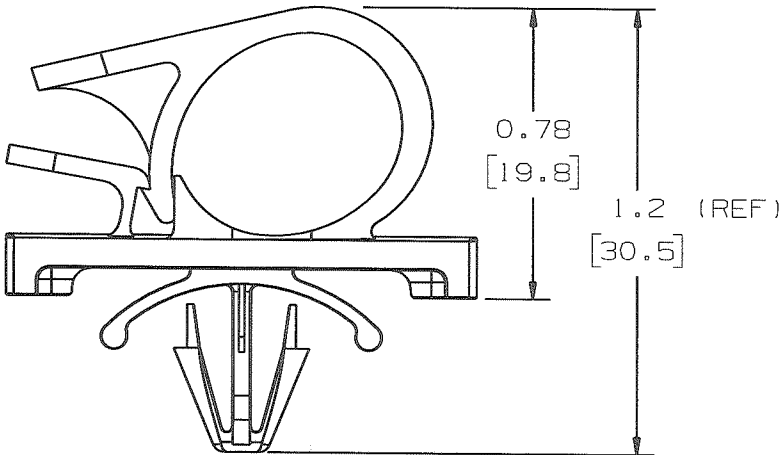
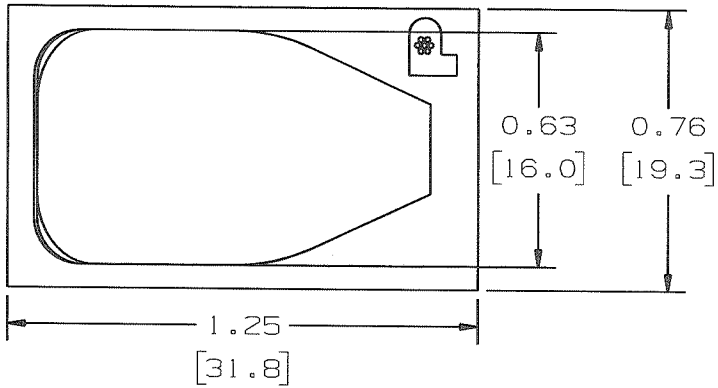


THIS COPY IS PROVIDED ON A RESTRICTED BASIS AND IS NOT TO BE USED IN ANY WAY DETRIMENTAL TO THE INTERESTS OF PANDUIT CORP.



SCALE: FULL

PANDUIT PART NUMBER*	MAXIMUM CABLE DIA. in. (mm)	WEIGHT lbs. (g)/100pcs	HOLE SIZE DIA. RANGE	PANEL THK. RANGE
LWC50H25	0.50 [12.7]	0.86 [392]	3/16"-1/4" [5-6]	0.025-0.105 [0.6-2.7]

NOTES:
* 1) SEE CURRENT PRICE SHEET FOR PART NUMBER SUFFIX DESIGNATION, FOR PACKAGE SIZE.

DIMENSIONS IN BRACKETS ARE METRIC [mm]

CAD FILENAME/LAYERS
G0359760_DC_GB0167BA/00B

PANDUIT CORP. TINLEY PARK, ILLINOIS

LWC50H25
LATCHING WIRE CLIP

REV	DATE	BY	CHK	DESCRIPTION	ECN	R	CUST	SUP
00B	04/13/09	GDH	<i>DK</i>	UPDATED PANEL THICKNESS RANGE CONVERSION	GB0167BA	00B	<i>KLN</i>	
2	01/04/99	DWP		CHANGED OVERALL HEIGHT DIM. TO REF.	GB0167BA	2		
1	10/20/95	CBJ		REVISED HOLE SIZE & PANEL THICKNESS RANGE	GB0167BA	1		
R	7/27/93	KLN		INITIAL RELEASE	GB0167BA	R		

UNLESS OTHERWISE SPECIFIED,
DIMENSIONAL TOLERANCES ARE:
(.X) ±0.05 [1.3] (.XXX) ±0.010 [0.25]
(.XX) ±0.02 [0.5] ANGLES ±5°

UNLESS OTHERWISE SPECIFIED,
ALL DIMENSIONS ARE GIVEN
IN INCHES, THIRD ANGLE PROJECTION.

DRAWN BY KLN

MAT'L:

SCALE

2X

DATE

7/27/93

NYLON 6/6

DRAWING NO.

GB0167BA

DRG

A
SIZE

CHK'D

KLN