

Distributed by:

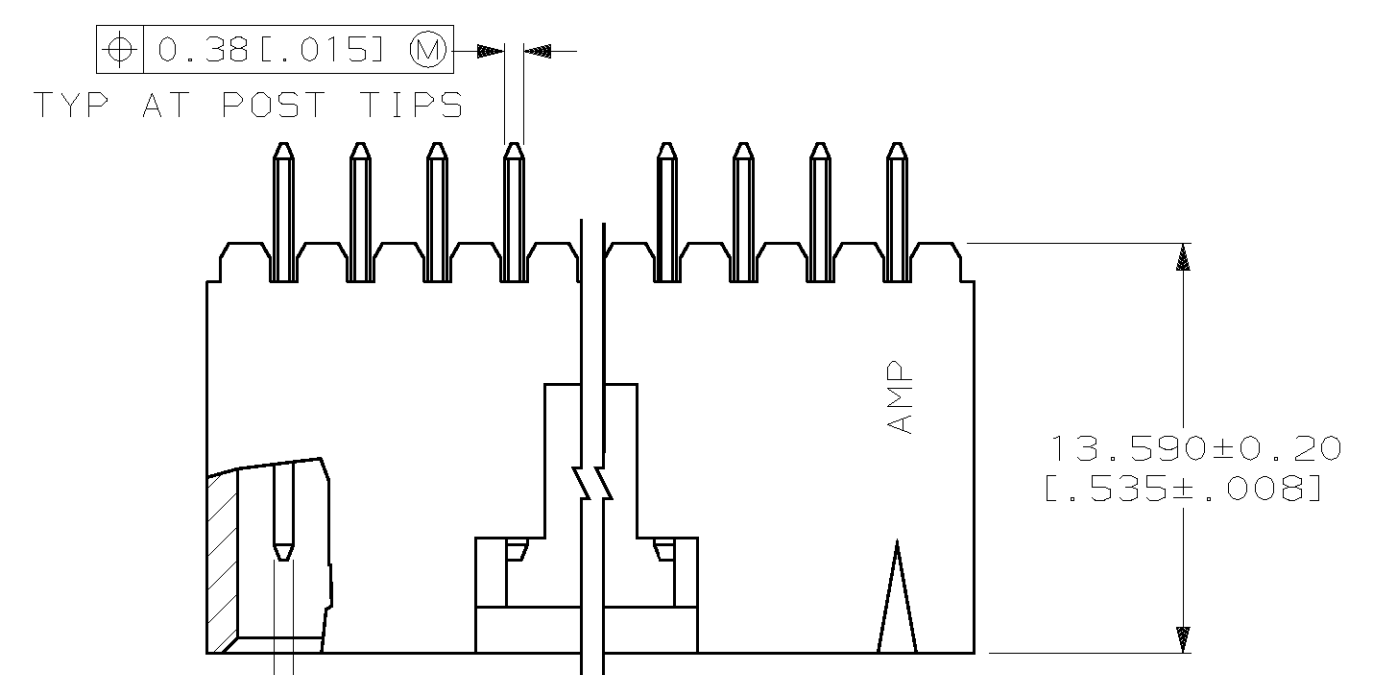
JAMECO[®]
ELECTRONICS

www.Jameco.com ♦ 1-800-831-4242

The content and copyrights of the attached
material are the property of its owner.

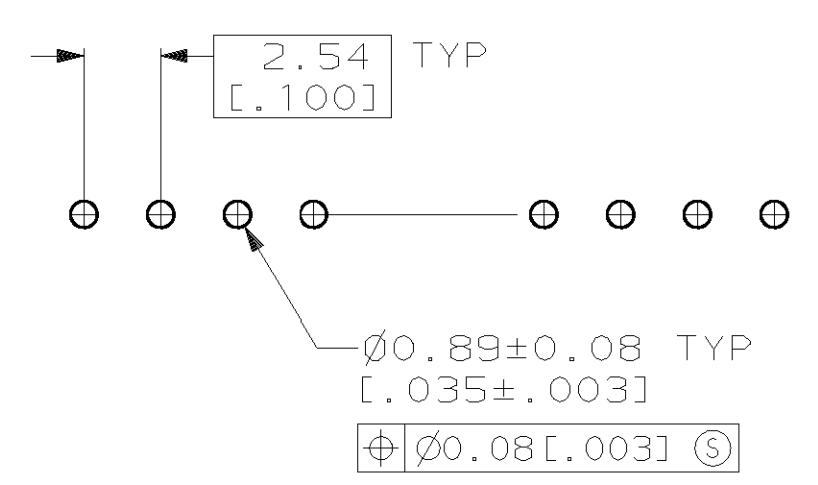
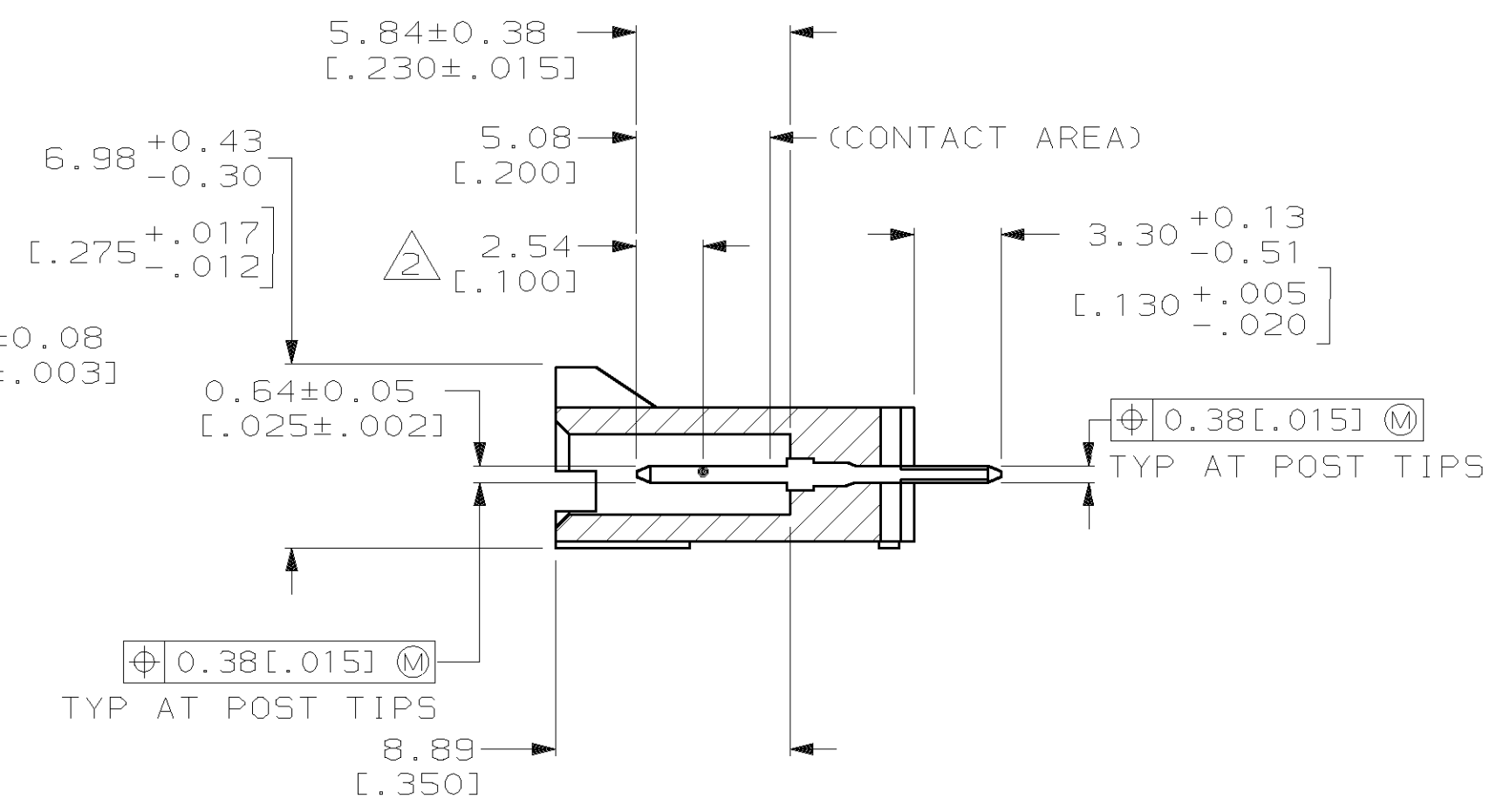
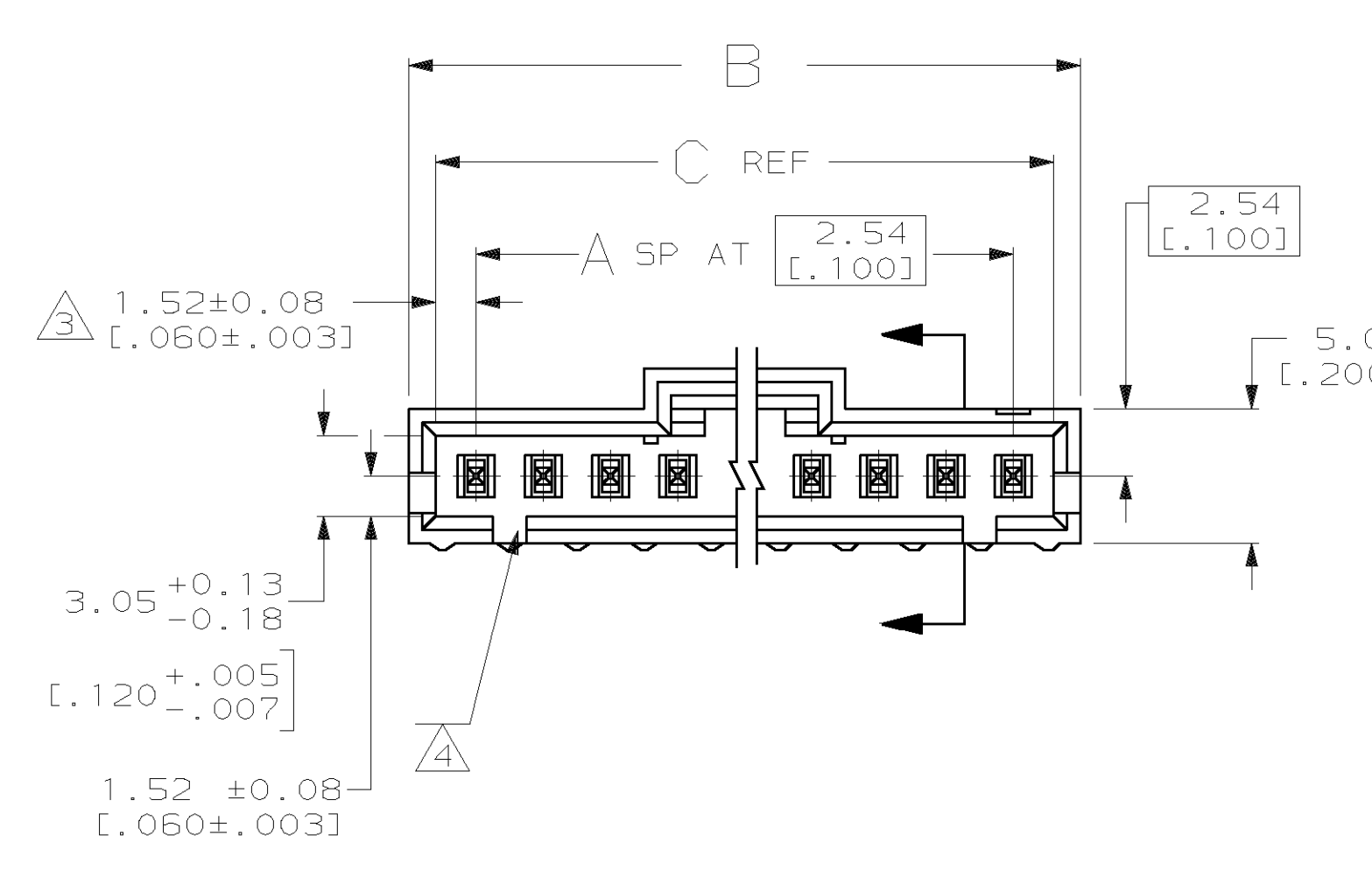
Jameco Part Number 738030

| LOC | DIST | P | F | ZONE | LTR | DESCRIPTION | DATE | APPD |
|-----|------|---|---|------|-----|-------------------------|-----------|------|
| AD | 00 | | | | | REV PER AD-5122 | - | - |
| | | | | | | REV PER 0010-0831-93 | 9-10-93 | JG |
| | | | | | | REV PER 0010-0782-93 | 2-16-94 | JG |
| | | | | | | REV PER 0010-1884-93 | 2-16-94 | JG |
| | | | | | | REV PER 0010-1859-93 | 2-16-94 | JG |
| | | | | | | REV PER 0010-1063-94 | 7-18-94 | JG |
| | | | | | | REV PER 0010-0104-95 | 3-3-95 | JG |
| | | | | | | REV PER 0010-0012-96 | 1-3-96 | JG |
| | | | | | | REV PER 0010-1114-95 | 1-25-96 | JG |
| | | | | | | REV PER 0310-0040-97 | 1-28-97 | JG |
| | | | | | | REV PER 0310-0355-97 | 02-FEB-98 | JG |
| | | | | | | REV PER EC 063C-0441-00 | 05FEB01 | KW |



- ① .00038[.000015] GOLD IN THE CONTACT AREA, .00254[.000100] MATTE TIN-LEAD ON REMAINDER OF CONTACT, ALL OVER .00127[.000050] NICKEL.
- ② POINT OF MEASUREMENT FOR PLATING THICKNESS.
- ③ THE NOTED DIMENSIONS APPLY AT THE INTERSECTION OF THE POST AND THE HOUSING.
- ④ ON ASSEMBLIES WITH FOUR OR MORE POSITIONS, TWO POLARIZATION SLOTS. ON ASSEMBLIES WITH TWO OR THREE POSITIONS, ONE POLARIZATION SLOT.

0.64 ± 0.02 [0.025 ± 0.001] TYP AT POST TIPS



RECOMMENDED HOLE LAYOUT

| | | | | |
|---------------|---------------|----|-------------|------------|
| 64.01 [2.520] | 66.04 [2.600] | 24 | 25 | 2-103638-4 |
| 61.47 [2.420] | 63.50 [2.500] | 23 | 24 | 2-103638-3 |
| 58.93 [2.320] | 60.96 [2.400] | 22 | 23 | 2-103638-2 |
| 56.39 [2.220] | 58.42 [2.300] | 21 | 22 | 2-103638-1 |
| 53.85 [2.120] | 55.88 [2.200] | 20 | 21 | 2-103638-0 |
| 51.31 [2.020] | 53.34 [2.100] | 19 | 20 | 1-103638-9 |
| 48.77 [1.920] | 50.80 [2.000] | 18 | 19 | 1-103638-8 |
| 46.23 [1.820] | 48.26 [1.900] | 17 | 18 | 1-103638-7 |
| 43.69 [1.720] | 45.72 [1.800] | 16 | 17 | 1-103638-6 |
| 41.15 [1.620] | 43.18 [1.700] | 15 | 16 | 1-103638-5 |
| 38.61 [1.520] | 40.64 [1.600] | 14 | 15 | 1-103638-4 |
| 36.07 [1.420] | 38.10 [1.500] | 13 | 14 | 1-103638-3 |
| 33.53 [1.320] | 35.56 [1.400] | 12 | 13 | 1-103638-2 |
| 30.99 [1.220] | 33.02 [1.300] | 11 | 12 | 1-103638-1 |
| 28.45 [1.120] | 30.48 [1.200] | 10 | 11 | 1-103638-0 |
| 25.91 [1.020] | 27.94 [1.100] | 9 | 10 | 103638-9 |
| 23.37 [0.920] | 25.40 [1.000] | 8 | 9 | 103638-8 |
| 20.83 [0.820] | 22.86 [0.900] | 7 | 8 | 103638-7 |
| 18.29 [0.720] | 20.32 [0.800] | 6 | 7 | 103638-6 |
| 15.75 [0.620] | 17.78 [0.700] | 5 | 6 | 103638-5 |
| 13.21 [0.520] | 15.24 [0.600] | 4 | 5 | 103638-4 |
| 10.67 [0.420] | 12.70 [0.500] | 3 | 4 | 103638-3 |
| 8.13 [0.320] | 10.16 [0.400] | 2 | 3 | 103638-2 |
| 5.59 [0.220] | 7.62 [0.300] | 1 | 2 | 103638-1 |
| C | B | A | NO. OF POSN | PART NO. |

| DO NOT SCALE PRINT. UNLESS SPECIFIED DIMENSIONS IN mm [INCHES] TOLERANCES ON: | | DR 3-5-91 S. SHUEY | | PART NO | |
|---|---------------|----------------------------|------------------------|---|-------------------|
| 2 PLC DEC ± 0.13[.005] | 3 PLC DEC ± - | CHK 3-5-91 J. GESFORD | APPD 3-5-91 J. GESFORD | AMP AMP Incorporated Harrisburg, PA 17105-3508 NAME HDR ASSY, VERT, SINGLE ROW 2.54[.100]Ø, 0.64[.025] SQ POST, WITH PLZN & LATCHING, AMPMODU MTE | |
| ANGLES ± - | | | | | |
| MATERIAL HOUSING: FLAME RETARDANT THERMOPLASTIC COLOR - BLACK | | APPD 3-5-91 D. DUPLER | PRODUCT SPEC 108-25034 | | |
| CONTACTS: BRASS | | APPLICATION SPEC 114-25026 | FINISH | SIZE D | CAGE CODE 00779 |
| | | WEIGHT | | SCALE 4:1 | DRAWING NO 103638 |
| | | | | | SHEET 1 OF 1 |

