

Distributed by:

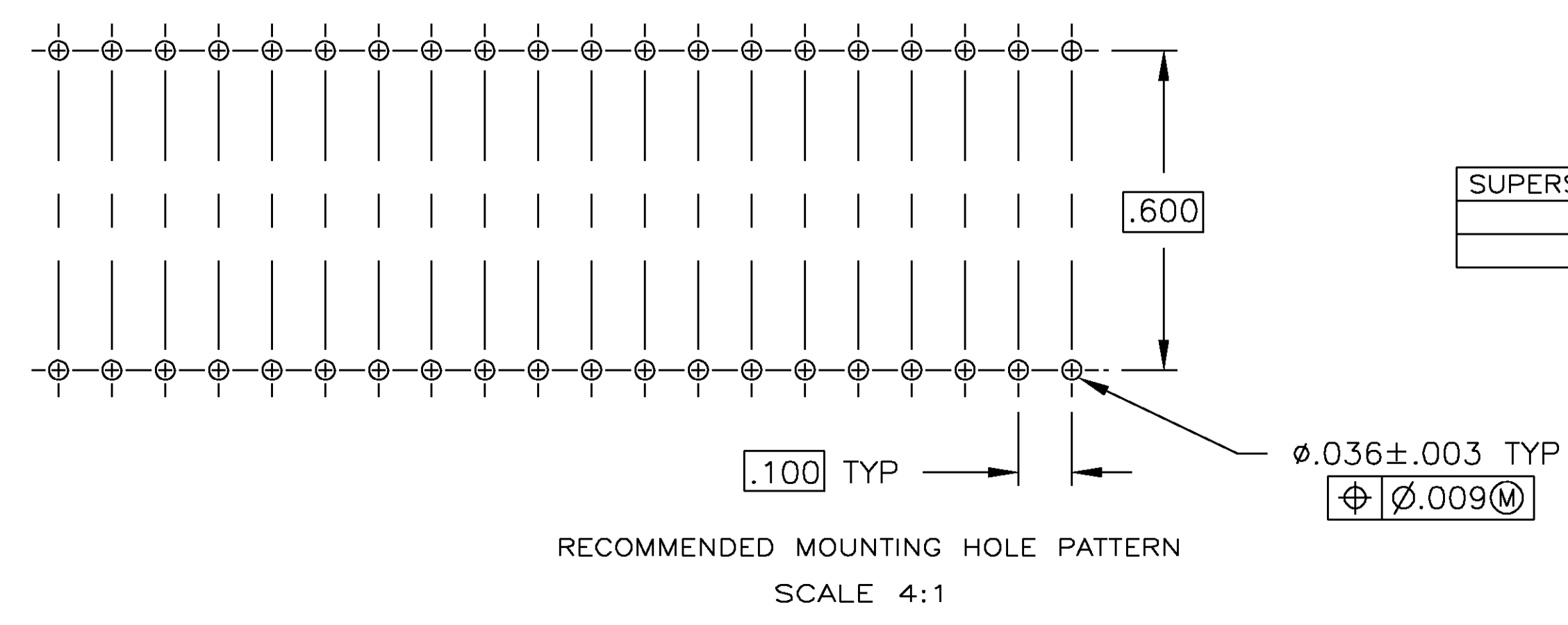
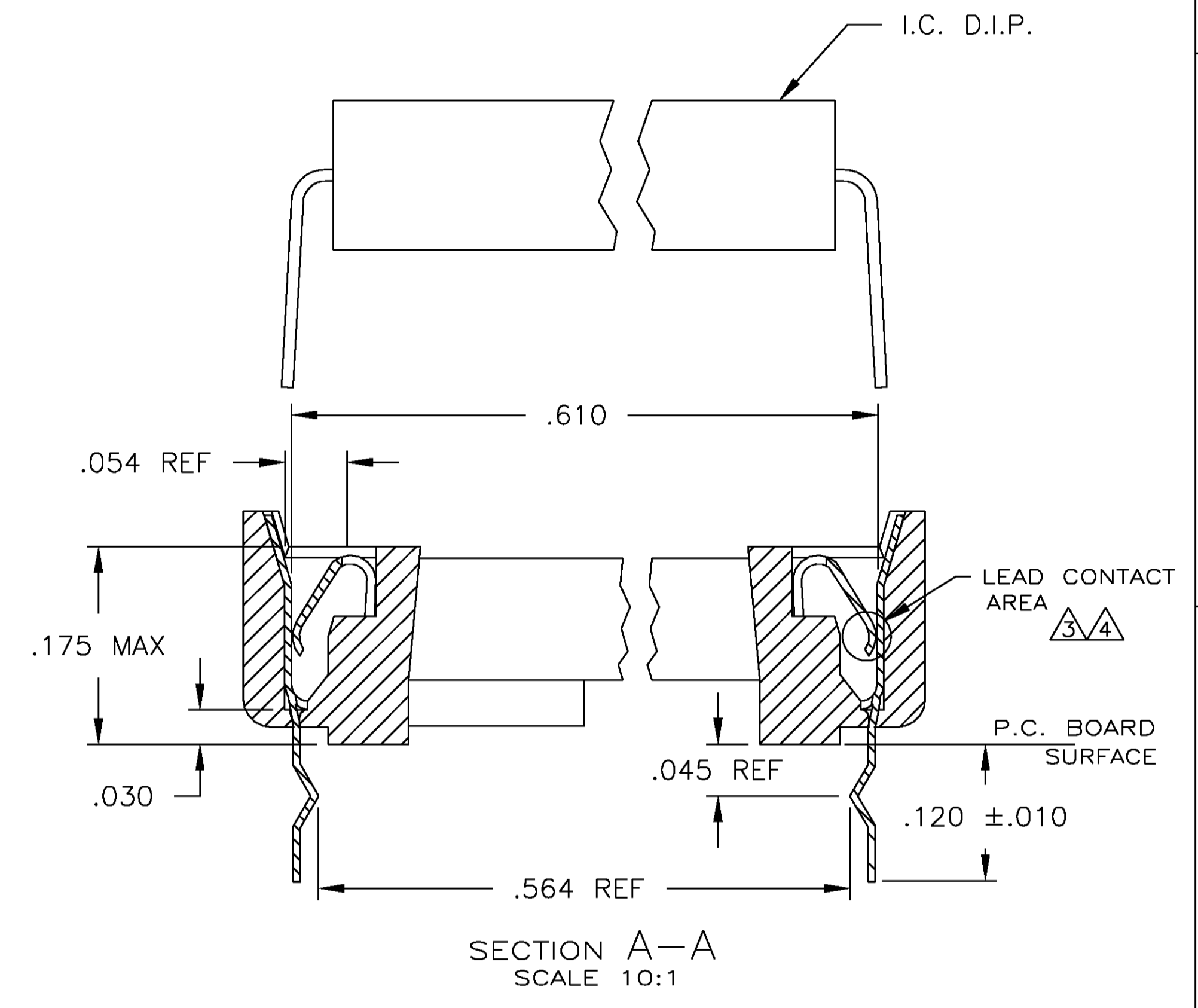
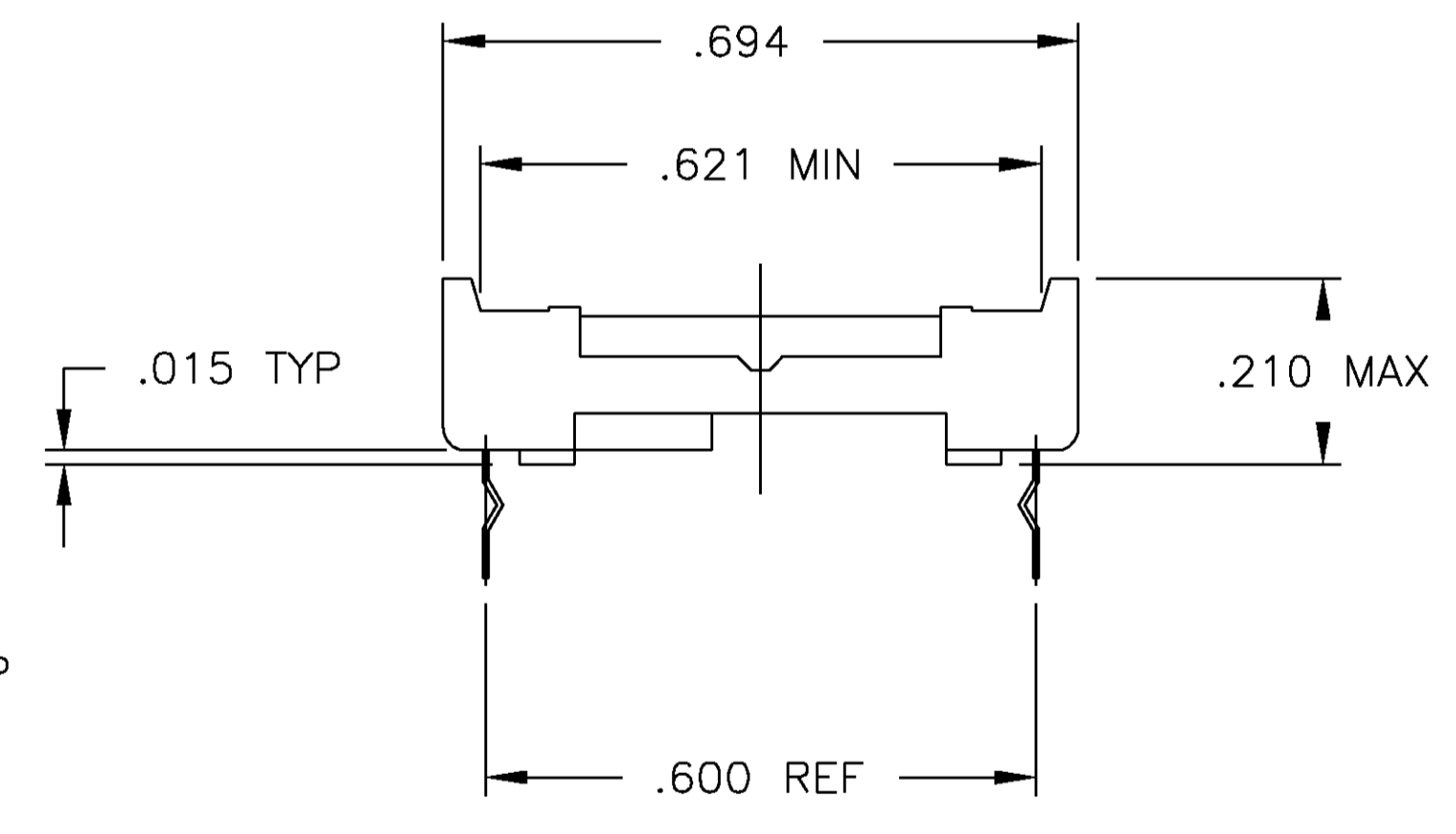
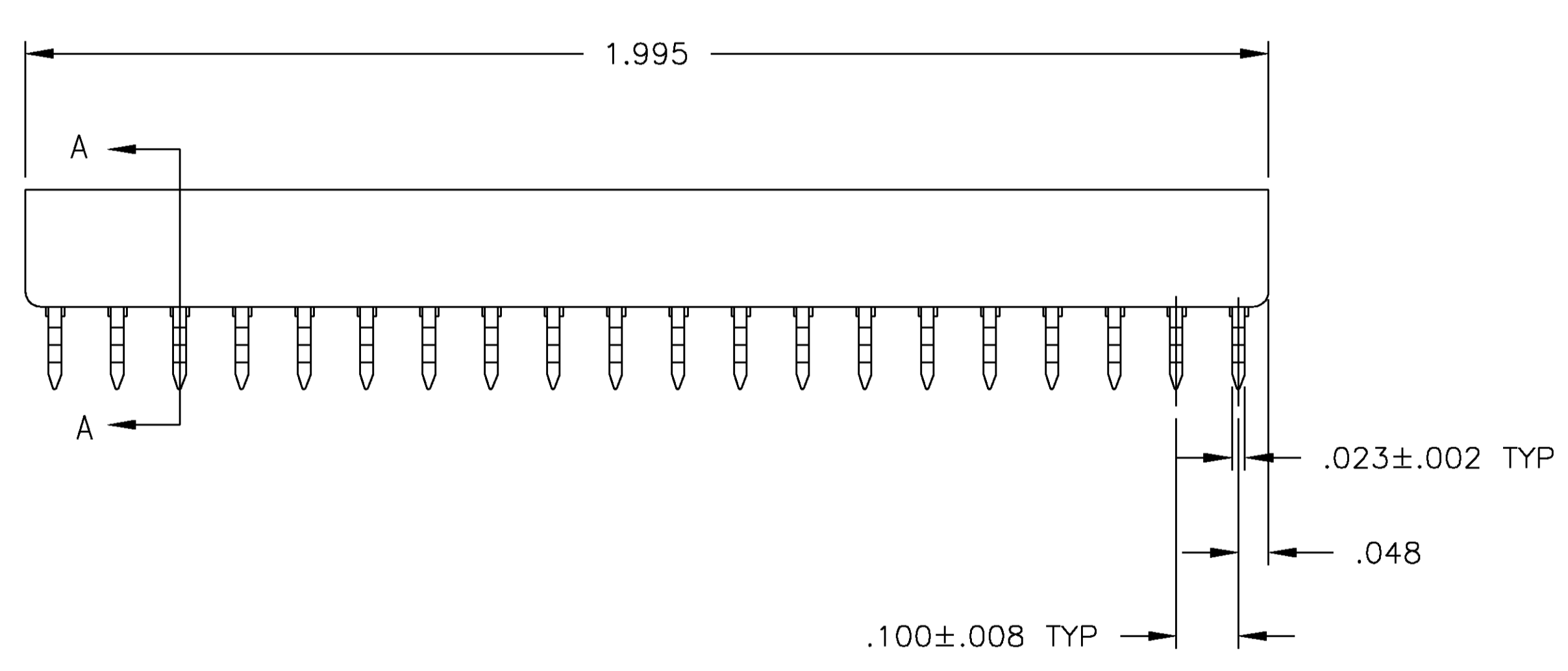
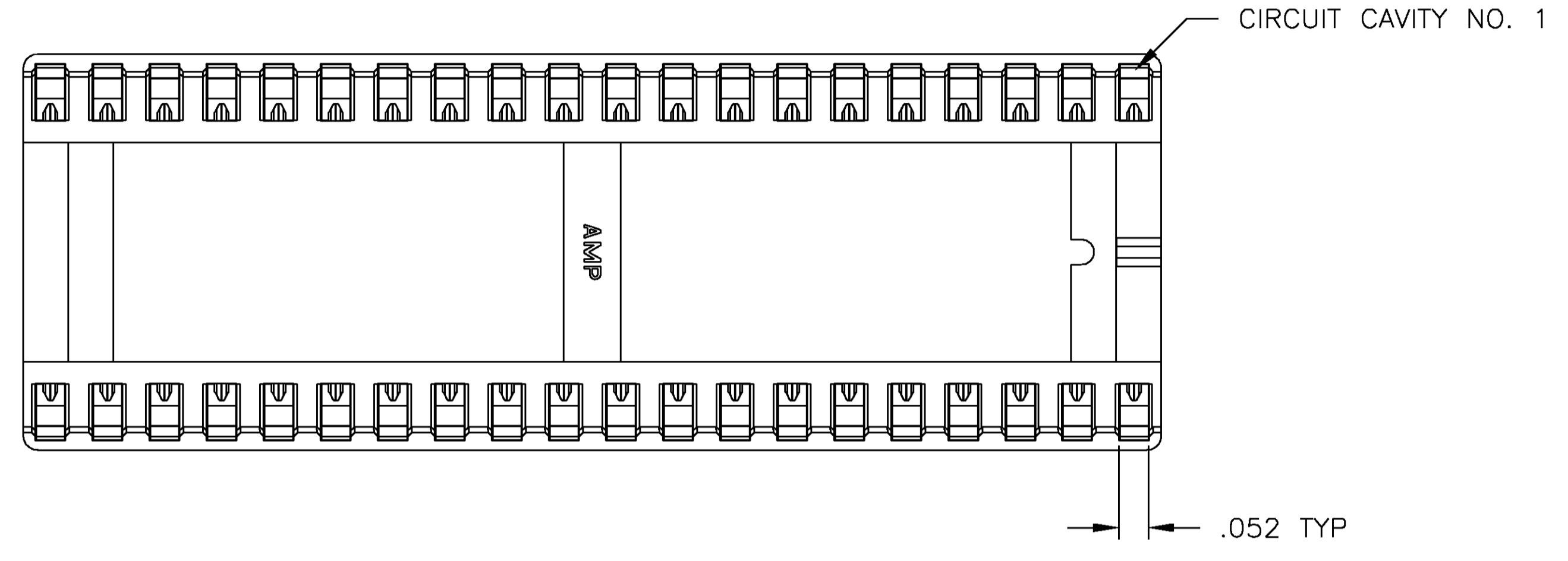
JAMECO[®]
ELECTRONICS

www.Jameco.com ♦ 1-800-831-4242

The content and copyrights of the attached
material are the property of its owner.

Jameco Part Number 838250

- RECEPTACLE ACCEPTS A .008-.014 THICK I.C. LEAD.
 - TUBE LOADED FOR AUTOMATIC INSERTION.
- ⚠ TWO .000030 MIN THK. GOLD STRIPES IN CONTACT AREA WITH TIN-LEAD (93/7) ON CONTACT LEGS, BALANCE OF CONTACT NICKEL PLATED.
 - ⚠ TWO .000015 MIN THK. GOLD STRIPES IN CONTACT AREA WITH TIN-LEAD (93/7) ON CONTACT LEGS, BALANCE OF CONTACT NICKEL PLATED.



SUPERSEDED BY 2-641616-3	TINNED	PHOS.BRZ. .006 THK	GLASS-FILLED THERMOPLASTIC, 94V-O, BLACK	2-641616-5
OBSOLETE	⚠	PHOS.BRZ. .006 THK	GLASS-FILLED THERMOPLASTIC, 94V-O, BLACK	2-641616-4
OBSOLETE	TINNED	PHOS.BRZ. .006 THK	GLASS-FILLED THERMOPLASTIC, 94V-O, BLACK	2-641616-3
	⚠	BE.CU. .006 THK	GLASS-FILLED THERMOPLASTIC, 94V-O, BLACK	2-641616-2
	TINNED	BE.CU. .006 THK	GLASS-FILLED THERMOPLASTIC, 94V-O, BLACK	2-641616-1
	CONTACT FINISH	CONTACT MAT'L	HOUSING MATERIAL	PART NO.

THIS DRAWING IS A CONTROLLED DOCUMENT.

DIMENSIONS: INCHES	TOLERANCES UNLESS OTHERWISE SPECIFIED:	DWN R BROWN 09JAN01	OK H WYNKOOP 29AUG00	AMP Tyco Electronics Corporation Harrisburg, PA 17105
0 PLC ± -	1 PLC ± -	2 PLC ± -	3 PLC ± -	4 PLC ± -
ANGLES ± -		APVD H WYNKOOP 29AUG00	NAME	SOCKET ASSY, DIP, LADDER, RET LEG, 40 POS, DIPLOMATE™ DL
MATERIAL SEE TABLE	FINISH SEE TABLE	SIZE	CAGE CODE	DRAWING NO
		108-1066	114-1049	A1 00779
		WEIGHT	SCALE	SHEET
			5:1	1 OF 1
		CUSTOMER DRAWING	REV	T