

Clip, 6.3x32 mm, 32 A, BeCu



600 VAC/DC · 32 A (UL)



**Description**

- BeCu Clip up to 32 A Application

**Standards**

- UL 4248-1 / UL E 39328  
 - CSA 22.2 no. 4248-1

**Applications**

- Industrial electronic  
 - Photovoltaic

**References**

Fuseholder to SUT 6.3x32

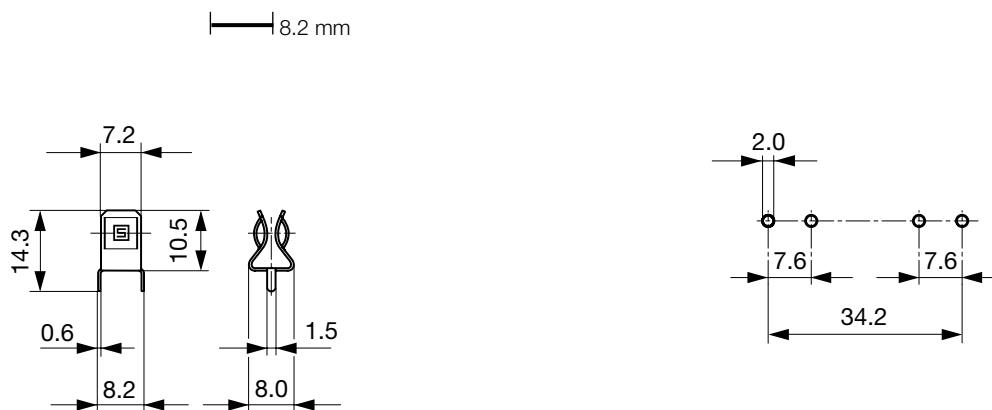
**Weblinks**

pdf-datasheet, html-datasheet, General Product Information, Approvals, CE declaration of conformity, RoHS, CHINA-RoHS, e-Shop, SCHURTER-Stock-Check, Distributor-Stock-Check, Detailed request for product

**Technical Data**

Fuse-Link	6.3 x 32mm	Soldering Methods	Wave
Mounting	PCB	Solderability	235 °C / 2 sec acc. to IEC 60068-2-20, Test Ta, method 1
Terminal	Solder THT	Resistance to Soldering Heat	260 °C / 10 sec acc. to IEC 60068-2-20, Test Tb, method 1A
Rated Voltage	600VAC/DC		
Rated current	32A (UL)		
Admissible Ambient Air Temp.	-55°C to 125°C		
Material: Terminals	BeCu		
Storage Conditions	0°C to 60°C, max. 70% r.h.		

**Dimensions**



Drilling diagram

**Variants**

Clip	Material: Terminals	Order Number
●	Tin-plated Beryllium-Copper	8040.0001
●	Silver-plated Beryllium-Copper	8040.0003

**Packaging Unit**

Bulk (1000 pcs.)