

Fuseholder Open Design, 6.3 x 32 mm, THT



250 V · 16 A (UL)



Description

- Through hole mounting

Standards

- UL 4248-1
- CSA 22.2 no. 4248-1

Approvals

- UL File Number: E39328
- CSA File Number: 38456

Weblinks

[pdf-datasheet](#), [html-datasheet](#), [General Product Information](#), [Approvals](#), [CE declaration of conformity](#), [RoHS](#), [CHINA-RoHS](#), [REACH](#), [e-Shop](#), [SCHURTER-Stock-Check](#), [Distributor-Stock-Check](#), [Detailed request for product](#)

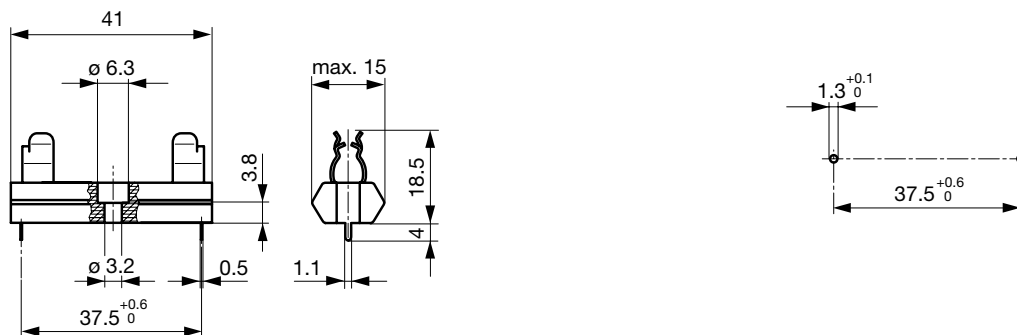
Technical Data

Fuse-Link	6.3 x 32mm
Mounting	PCB
Mounting	Screw, rivet or THT
Terminal	Solder THT
Rated Voltage	250V (CSA), VAC (UL)
Rated current	10A (CSA) 16A (UL)
Admissible Ambient Air Temp.	-40°C to 85°C
Climatic Category	40/085/21 acc. to IEC 60068-1
Material: Terminals	Tin-Plated Copper Alloy
Unit Weight	7.23 g
Storage Conditions	0°C to 60°C, max. 70% r.h.
Product Marking	Rated voltage, Rated current, Approvals

Soldering Methods	Wave
Solderability	245°C / 3 sec acc. to IEC 60068-2-20, Test Ta, method 1
Resistance to Soldering Heat	260°C / 10 sec acc. to IEC 60068-2-20, Test Tb, method 1A
Contact Resistance	< 5mΩ at 20 mV
Dielectric Strength	> 3kV (50Hz; 1 min)
Impulse Withstand Voltage	> 4kV between Life parts
Insulation Resistance	> 10MΩ between Life parts (500VDC; 1 min)

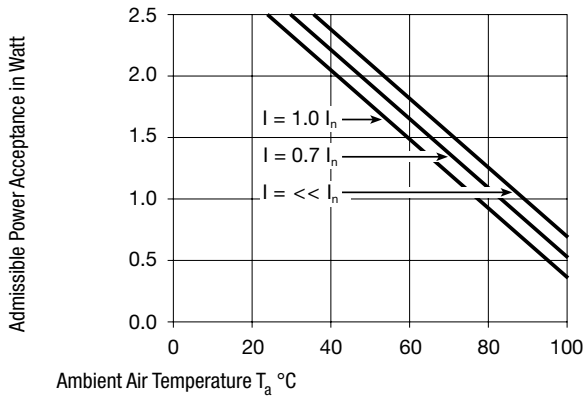
Dimension

41 mm



Drilling diagram

Derating Curves



All Variants

Holder	Order Number
●	0031.8002

Most Popular.

Availability for all products can be searched real-time: <http://www.schurter.com/en/Stock-Check/Stock-Check-SCHURTER>

Packaging Unit Bulk (100 pcs.)