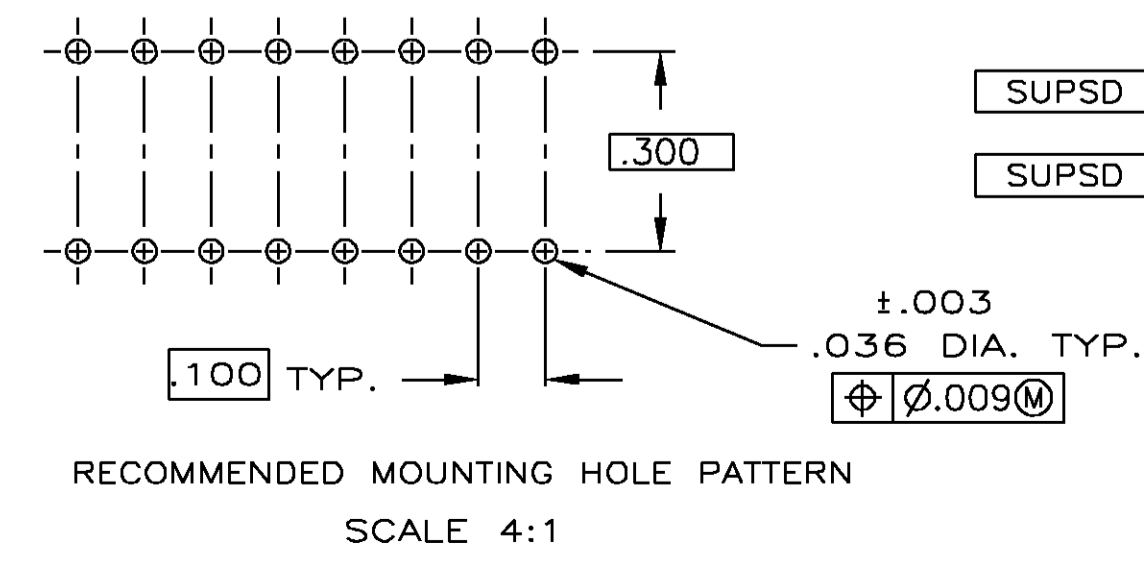
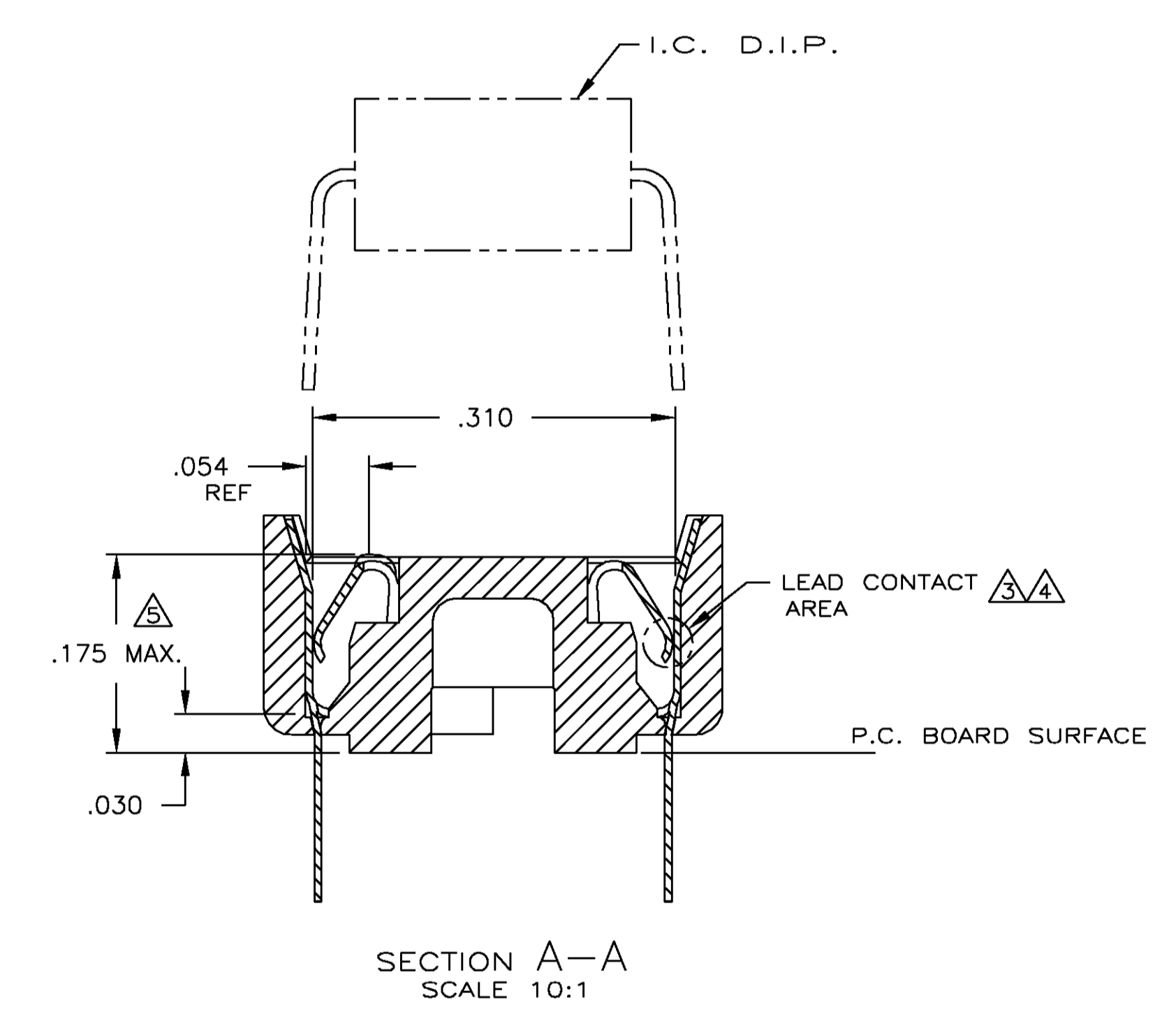
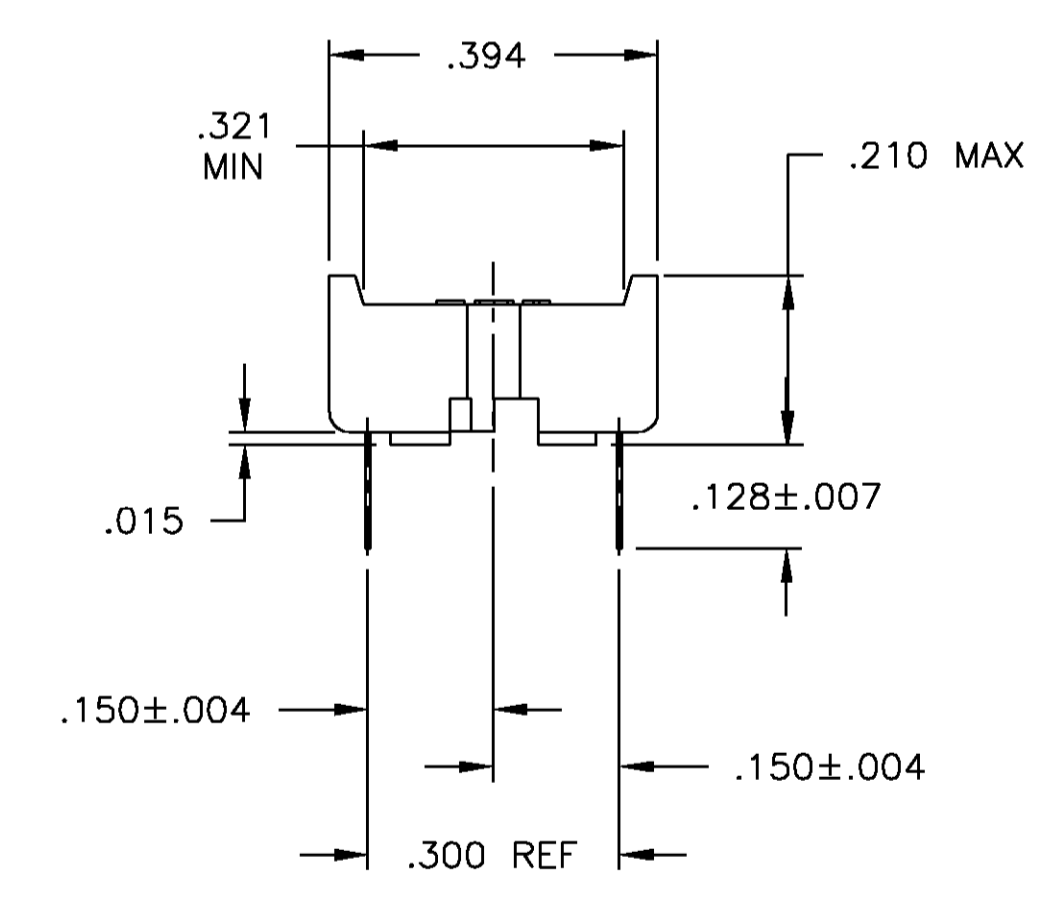
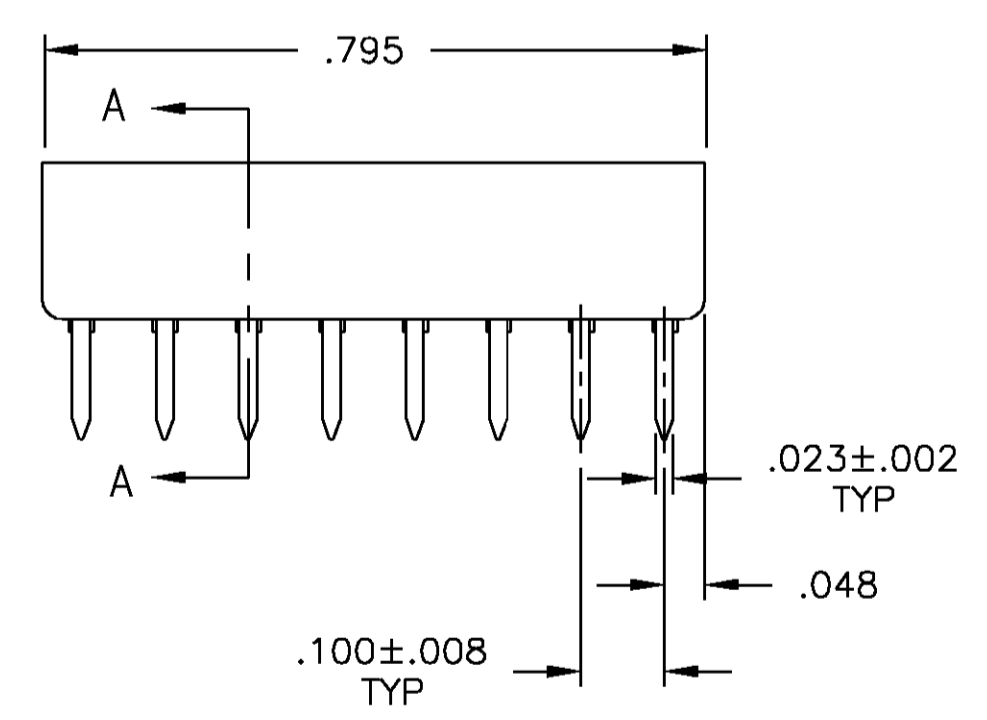
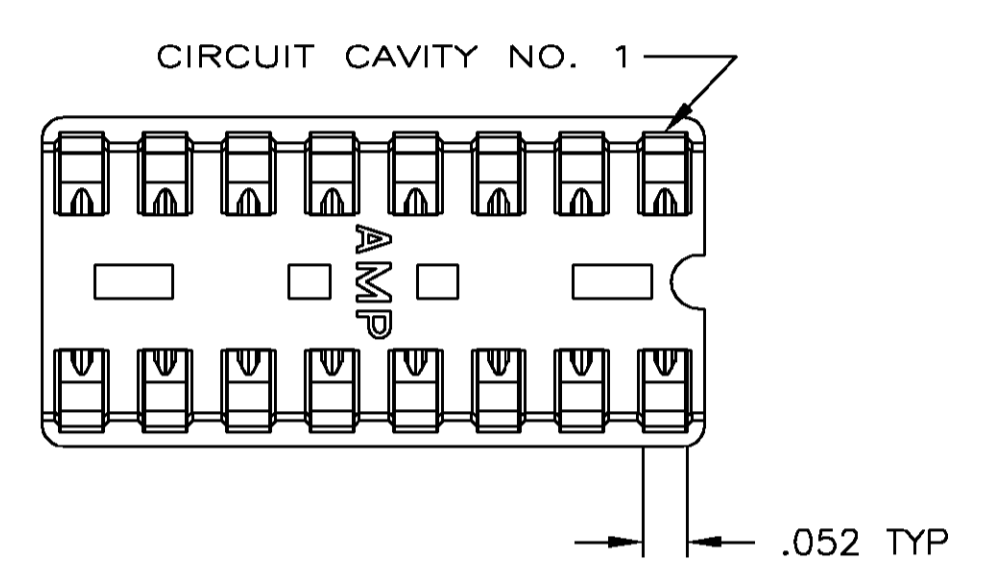


LOC		DIST		REVISIONS			
P	LN	DESCRIPTION	DATE	DRN	APPD		
AD	0						
AB		REV PER OG3C-0254-00	21AUG00	RB	HW		

1. RECEPTACLE ACCEPTS A .008-.014 THICK I.C. LEAD.
2. TUBE LOADED FOR AUTOMATIC INSERTION.
3. TWO .000030 MIN THK. GOLD STRIPES IN CONTACT AREA WITH TIN-LEAD
4. TWO .000015 MIN THK. GOLD STRIPES IN CONTACT AREA WITH TIN-LEAD (93/7) ON CONTACT LEGS, BALANCE OF CONTACT NICKEL PLATED.
5. MAXIMUM DIMENSION FOR I.C. SEATING PLANE.



SUPSD BY 390261-4	TINNED	PHOS.BRZ. .006 THK	GLASS-FILLED THERMOPLASTIC, 94V-O, BLACK	2-640358-4
SUPSD BY 390261-4	TINNED	PHOS.BRZ. .006 THK	GLASS-FILLED THERMOPLASTIC, 94V-O, BLACK	2-640358-3
		BE.CU. .006 THK	GLASS-FILLED THERMOPLASTIC, 94V-O, BLACK	2-640358-2
		BE.CU. .006 THK	GLASS-FILLED THERMOPLASTIC, 94V-O, BLACK	2-640358-1

CONTACT FINISH		CONTACT MAT'L		HOUSING MATERIAL		PART NO.	
TINNED		PHOS.BRZ. .006 THK		GLASS-FILLED THERMOPLASTIC, 94V-O, BLACK		2-640358-4	
TINNED		PHOS.BRZ. .006 THK		GLASS-FILLED THERMOPLASTIC, 94V-O, BLACK		2-640358-3	
TINNED		BE.CU. .006 THK		GLASS-FILLED THERMOPLASTIC, 94V-O, BLACK		2-640358-2	
TINNED		BE.CU. .006 THK		GLASS-FILLED THERMOPLASTIC, 94V-O, BLACK		2-640358-1	

THIS DRAWING IS A CONTROLLED DOCUMENT.		DRN	R BROWN	21AUG00	Tyco Electronics Corporation Harrisburg, PA 17105		
DIMENSIONS:		INCHES			SOCKET ASSY, DIP, 16 POS, DIPLOMATE DL		
TOLERANCES UNLESS OTHERWISE SPECIFIED:		0 PL	±		RESTRICTED TO		
		1 PL	±		REV		
		2 PL	±		REV		
		3 PL	±	.005	REV		
		4 PL	±		REV		
ANGLES			±		REV		
MATERIAL		SEE TABLE			REV		
FINISH		SEE TABLE			REV		
WEIGHT					REV		
CUSTOMER DRAWING					REV		

OBSELETE
 NOT THE LATEST
 REVISION