

**ebm-papst St. Georgen GmbH & Co. KG**

Hermann-Papst-Str. 1

D-78112 St. Georgen

Phone +49 (0) 7724 81-0

Fax +49 (0) 7724 81-1309

info2@de.ebmpapst.com

www.ebmpapst.com

**Nominal data**

| Type                     | 8318              |          |
|--------------------------|-------------------|----------|
| Nominal voltage          | VDC               | 48       |
| Nominal voltage range    | VDC               | 36 .. 56 |
| Speed                    | min <sup>-1</sup> | 3300     |
| Power input              | W                 | 3.0      |
| Min. ambient temperature | °C                | -20      |
| Max. ambient temperature | °C                | 75       |
| Air flow                 | m <sup>3</sup> /h | 54       |
| Sound power level        | B                 | 5.2      |
| Sound pressure level     | dB(A)             | 36       |

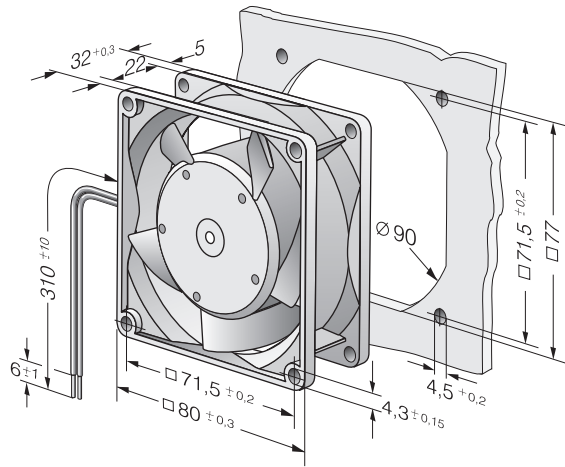
ml = Max. load · me = Max. efficiency · fa = Running at free air · cs = Customer specs · cu = Customer unit  
Subject to alterations



### Technical features

|  |   |
|--|---|
| <b>Housing material</b>                    | Fibreglass-reinforced plastic (PBT)   |
| <b>Impeller material</b>                   | Fibreglass-reinforced plastic (PA)  |
| <b>Mass</b>                                | 0.170 kg  |
| <b>Dimensions</b>                          | 80 x 80 x 32 mm   |
| <b>Direction of air flow</b>               | Air exhaust over bars   |
| <b>Direction of rotation</b>               | Right, looking at rotor   |
| <b>Bearing</b>                             | Ball bearings   |
| <b>Lifetime L10 at 40 °C</b>               | 70000 h   |
| <b>Lifetime L10 at maximum temperature</b> | 27500 h   |
| <b>Connection line</b>                     | Single strands AWG 22, TR 64, bared and tin-plated.   |
| <b>Motor protection</b>                    | Protected against reverse polarity and locking.   |
| <b>Locked-rotor protection</b>             | Blocking and overload protection  |
| <b>Approval</b>                            | VDE, CSA, UL, CE  |
| <b>Option</b>                              | Possible special versions:<br>Speed signal<br>Go / No-go alarm<br>Alarm with limit speed<br>External temperature sensor<br>Internal temperature sensor<br>PWM control input<br>Analogue control input<br>Protection against moisture<br>Protection against fog<br>Type of protection: IP 54 / IP 68 |

## Product drawing



## Charts: Air flow

