

**ebm-papst St. Georgen GmbH & Co. KG**

Hermann-Papst-Str. 1
 D-78112 St. Georgen
 Phone +49 (0) 7724 81-0
 Fax +49 (0) 7724 81-1309
 info2@de.ebmpapst.com
 www.ebmpapst.com

Nominal data

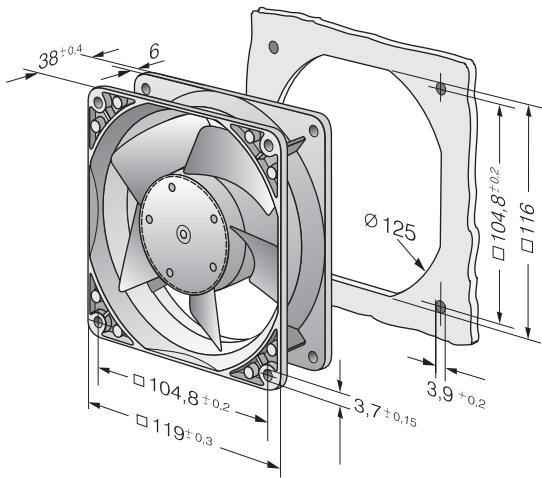
Type	4182 NGX	
Nominal voltage	VDC	12
Nominal voltage range	VDC	6 .. 15
Speed	min ⁻¹	2800
Power input	W	3.7
Min. ambient temperature	°C	-20
Max. ambient temperature	°C	75
Air flow	m ³ /h	160
Sound power level	B	5.3
Sound pressure level	dB(A)	44

ml = Max. load · me = Max. efficiency · fa = Running at free air · cs = Customer specs · cu = Customer unit
 Subject to alterations

Technical features

Impeller material	Fibreglass-reinforced plastic (PA)
Mass	0.390 kg
Dimensions	119 x 119 x 38 mm
Housing material	Die-cast aluminium
Direction of air flow	Inlet over bars
Direction of rotation	Clockwise, looking at rotor
Bearing	Sintec sleeve bearing
Lifetime L10 at 40 °C	85000 h
Lifetime L10 at maximum temperature	37500 h
Connection line	Flat plugs 2.8 x 0.5 mm. Optionally also available with strands.
Motor protection	Protected against reverse polarity and locking.
Approval	VDE, CSA, UL
Option	Speed signal

Product drawing



Charts: Air flow

