

Distributed by:

**JAMECO**<sup>®</sup>  
ELECTRONICS

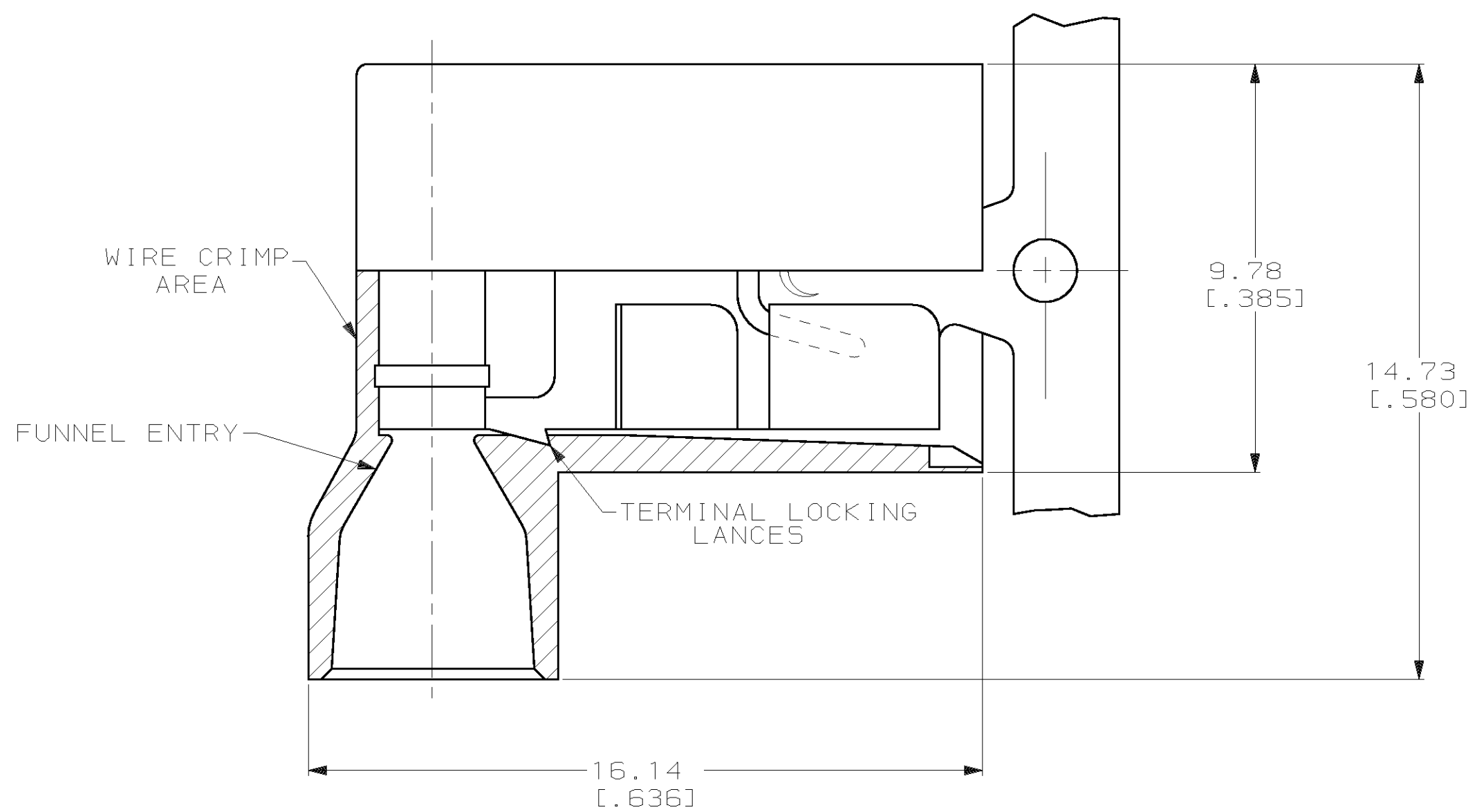
**www.Jameco.com ♦ 1-800-831-4242**

The content and copyrights of the attached  
material are the property of its owner.

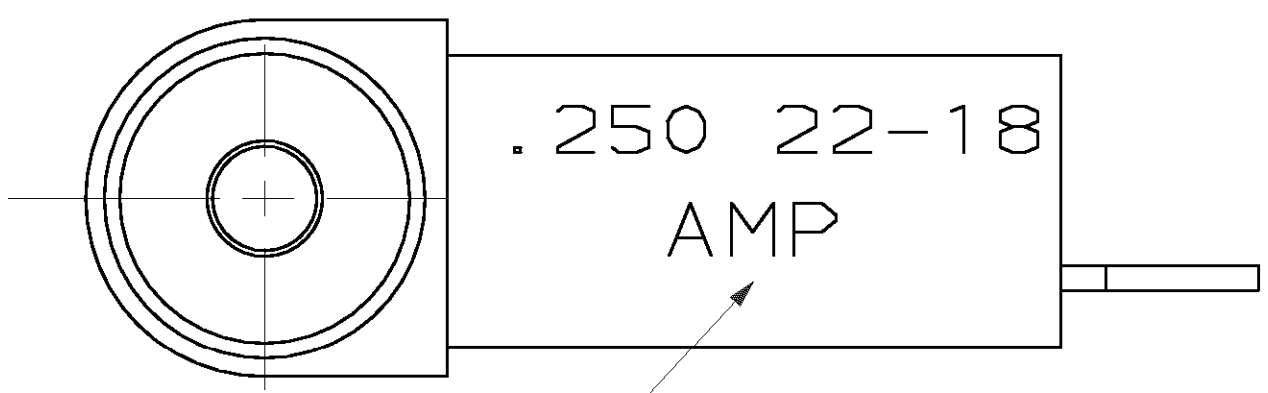
Jameco Part Number 524154

THIS DRAWING IS UNPUBLISHED. RELEASED FOR PUBLICATION  
 © COPYRIGHT 19 BY AMP INCORPORATED. ALL INTERNATIONAL RIGHTS RESERVED.

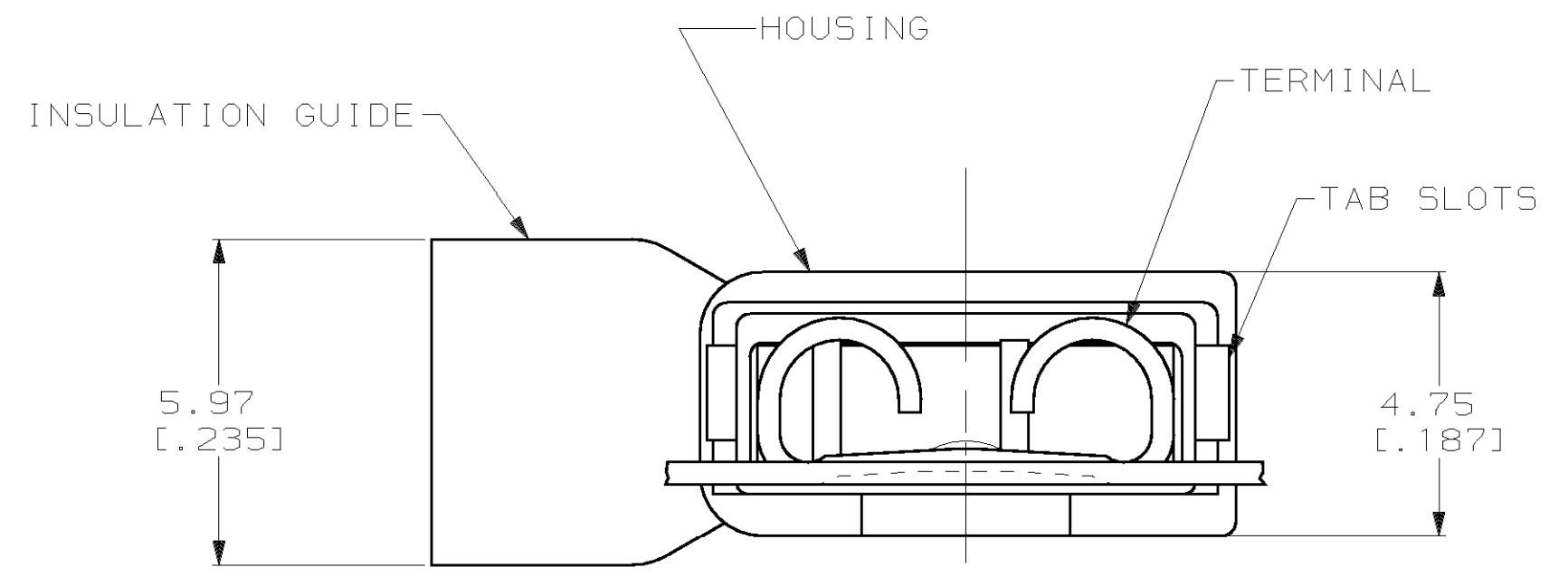
LOC		DIST		P		F		ZONE		LTR		REVISIONS		DATE	APPD
AF	50												DESCRIPTION	9AUG99	JR/JH
												REV PER 063A-0081-99			



- 1 FITS 0.81±0.025 X 6.35 [.032±.001 X .250] TAB
- 2 WIRE SIZE: 0.3-0.9mm<sup>2</sup> [22-18 AWG], STRANDED ONLY. STRIP LENGTH 7.94 [.312]
- 3 INSULATION SIZE: 4.19 [.165] MAX DIA.
- 4 CONTINUOUS STRIP.



WIRE AND RECEPTACLE SIZE IDENTIFICATION



BULK STANDARD PACKAGING	TYPE 6/6 NYLON MATERIAL	RED TRANSLUCENT COLOR	0.41 [.016] #4H BRASS MATERIAL	TIN FINISH	5-520128-2 2-520128-2 PART NO
DO NOT SCALE PRINT. UNLESS SPECIFIED DIMENSIONS IN mm [INCHES] TOLERANCES ON : 2 PLC DEC ± - 3 PLC DEC ± 0.38 [.015] ANGLES ± -	DR 10/19/89 P FORTNEY CHK 10/19/89 JR RUTH				AMP INCORPORATED Harrisburg, Pa. 17105
SEE TABLE	APPD 10/19/89 D BRATINA APPD 10/19/89 R KUZO				
FINISH SEE TABLE	APPLICATION SPEC 114-2123		PRODUCT SPEC 108-2043	SIZE C	CAGE CODE 00779
	WEIGHT -			SCALE 8:1	DRAWING NO 520128 SHEET 1 OF 1

