

Distributed by:

JAMECO[®]
ELECTRONICS

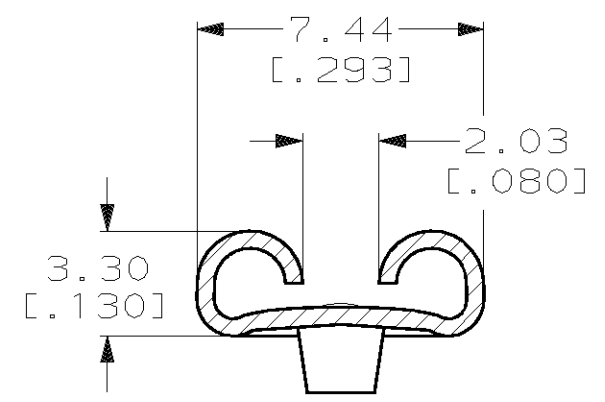
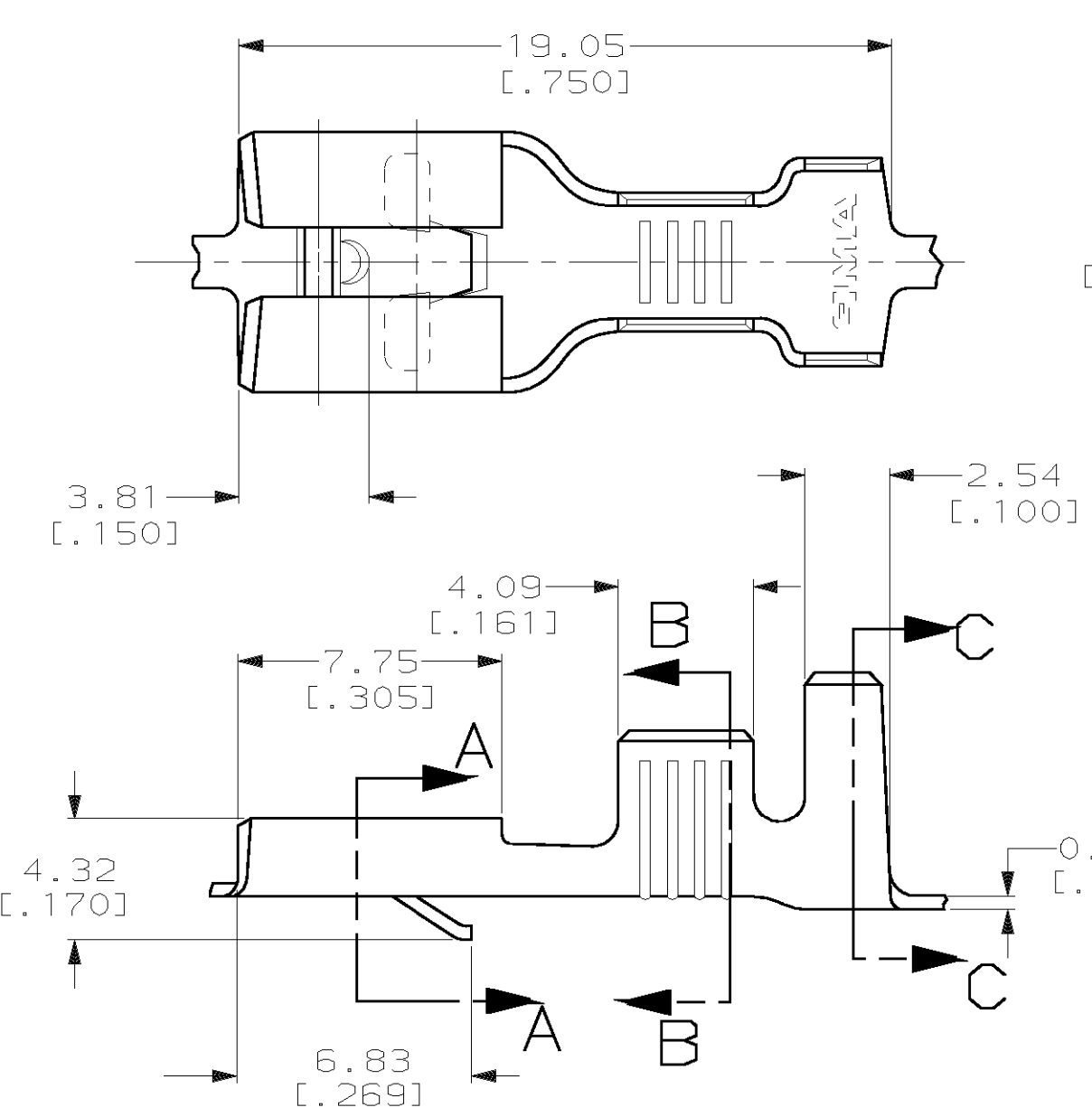
www.Jameco.com ♦ 1-800-831-4242

The content and copyrights of the attached
material are the property of its owner.

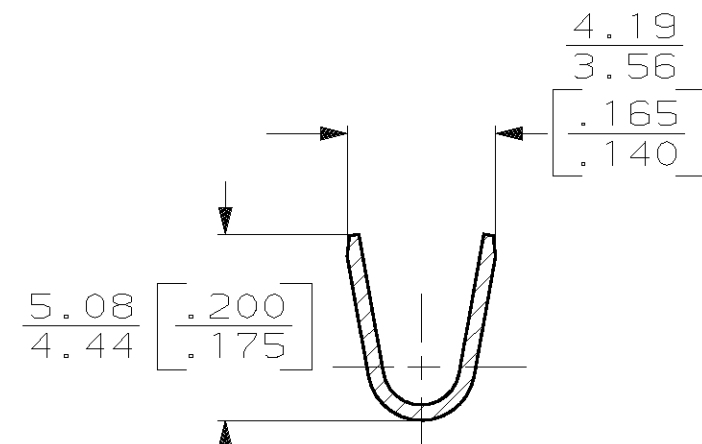
Jameco Part Number 1975387

THIS DRAWING IS UNPUBLISHED. RELEASED FOR PUBLICATION, 19
 © COPYRIGHT 19 BY AMP INCORPORATED. ALL INTERNATIONAL RIGHTS RESERVED.

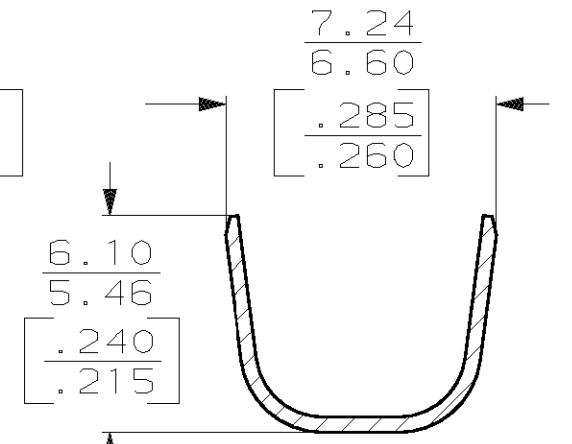
LOC	DIST	P	F	ZONE	LTR	DESCRIPTION	DATE	APPD
AF	50				E	ADDED -5 PER OG3A-0200-00	15MAR00	JR/DB



SECTION A-A



SECTION B-B



SECTION C-C

- 1 CONTINUOUS STRIP ON REELS.
- 2 ACCEPTS WIRE SIZE [#16-#12 OR TWO #16'S].
- 3 INSULATION RANGE TO BE 4.06-5.33 [.160-.210] OR TWO 3.30 [.130] MAX DIA.
- 4 MATING TAB THK IS 0.81±0.025 [.032±.001].
- △5 INTERLEAVING PAPER REQUIRED.
- △6 PRELIMINARY - NOT FOR PRODUCTION

FINISH	PART NO
△5 0.002032 [.000080] MIN TIN	△6 60249-5
0.000381 [.000015] THK SILVER	60249-3
0.002032 [.000080] MIN TIN	60249-2
-	60249-1

THIS DRAWING IS A CONTROLLED DOCUMENT FOR AMP INCORPORATED. IT IS SUBJECT TO CHANGE AND THE CONTROLLING ENGINEERING ORGANIZATION SHOULD BE CONTACTED FOR THE LATEST REVISION.

DO NOT SCALE PRINT. UNLESS SPECIFIED DIMENSIONS IN mm [INCHES] TOLERANCES ON: 2 PLC DEC ± 0.38 [.015] 3 PLC DEC ± - ANGLES ± -	DR 7/14/95 JR RUTH	AMP AMP Incorporated Harrisburg, PA 17105-3608
	CHK 7/14/95 MS FEHER	
MATERIAL H04 BRASS	APPD 7/14/95 J GILLESPIE	NAME RECEPTACLE, FASTIN-FASTON, 6.35 [.250] SERIES
FINISH SEE TABLE	APPD 7/14/95 R REINER	SIZE B CAGE CODE 00779 DRAWING NO C-60249
	PRODUCT SPEC -	SCALE 5:1 SHEET 1 OF 1
	APPLICATION SPEC 114-2025	
	WEIGHT -	