

# MCR-SLP-1-5-UI-0

Order No.: 2814359



<http://eshop.phoenixcontact.de/phoenix/treeViewClick.do?UID=2814359>

MCR passive current measuring transducer, for sinusoidal alternating currents 0..1 A AC/0..5 A AC, without switching output, output signal 0..10 V/0..20 mA

Commercial data	
GTIN (EAN)	4017918148447
sales group	H532
Pack	1 pcs.
Customs tariff	85437090
Weight/Piece	0.2316 KG
Catalog page information	Page 396 (IF-2009)

#### Product notes

WEEE/RoHS-compliant since:  
03/29/2007



<http://www.download.phoenixcontact.com>  
Please note that the data given here has been taken from the online catalog. For comprehensive information and data, please refer to the user documentation. The General Terms and Conditions of Use apply to Internet downloads.

## Technical data

Input data	
Input	Current measuring input 1 A
Input current range	0 A AC ... 1 A AC
Impulse form	Sine
Overload capacity	2 x I <sub>N</sub> (5 min. at 60°C ambient temperature)

Surge strength	50 A (1 s)
Permissible output range	$1.2 \times I_N$
Nominal frequency $f_N$	50 Hz
Frequency measuring range	45 Hz ... 60 Hz
Power loss	1.6 VA (at $I_A = 20$ mA)
Type of connection	Screw connection
Input	Current measuring input 5 A
Input current range	0 A AC ... 5 A AC
Impulse form	Sine
Overload capacity	$2 \times I_N$ (5 min. at 60°C ambient temperature)
Surge strength	100 A (1 s)
Permissible output range	$1.2 \times I_N$
Nominal frequency $f_N$	50 Hz
Frequency measuring range	45 Hz ... 60 Hz
Power loss	2.2 VA (at $I = 20$ mA)
Type of connection	Screw connection

#### Output data

Output name	Voltage output
Voltage output signal	0 V ... 10 V
Max. output voltage	20 V
Load/output load voltage output	> 100 k $\Omega$
Output name	Current output
Current output signal	0 mA ... 20 mA
Max. output current	30 mA
Load/output load current output	< 750 $\Omega$
Residual ripple, in reference to the measured value	0.5 % (pp of measured value)

#### Connection data

Type of connection	Screw connection
Conductor cross section solid min.	0.2 mm <sup>2</sup>
Conductor cross section solid max.	2.5 mm <sup>2</sup>
Conductor cross section stranded min.	0.2 mm <sup>2</sup>
Conductor cross section stranded max.	2.5 mm <sup>2</sup>
Conductor cross section AWG/kcmil min.	24
Conductor cross section AWG/kcmil max	14

Stripping length	8 mm
Screw thread	M3
<b>General data</b>	
Width	22.5 mm
Height	99 mm
Depth	114.5 mm
Transmission error, max.	< 0.5 % (of end value)
Maximum temperature coefficient	< 0.015 %/K
Step response (10-90%)	< 200 ms
Protective circuitry	Transient protection in the output Suppressor diode
Ambient temperature (operation)	-25 °C ... 60 °C
Degree of protection	IP20
Pollution degree	2
Surge voltage category	III
Color	green
Housing material	Polyamide PA non-reinforced
Mounting position	< 50°C: Any; > 50°C: Vertical (installation on horizontal DIN rail)
Conformity	CE compliant

#### Certificates / Approvals

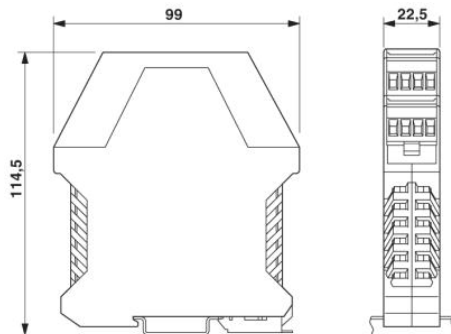


Certification

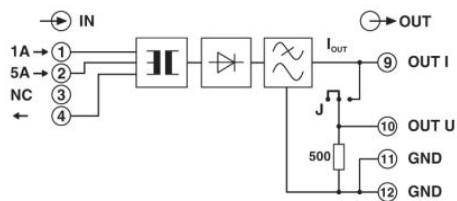
CUL, GOST, UL

## Diagrams/Drawings

### Dimensioned drawing



### Circuit diagram



**Address**

PHOENIX CONTACT Inc., USA  
586 Fulling Mill Road  
Middletown, PA 17057, USA  
Phone (800) 888-7388  
Fax (717) 944-1625  
<http://www.phoenixcon.com>



© 2010 Phoenix Contact  
Technical modifications reserved;