

**FK1 MINI® Style Blade Fuse Rated 32V**



Blade Fuses



**Specifications**

DIN 72581/3F  
ISO 8820  
UL 248 Special Purpose Fuses

**cULus Recognized:** File No. E211637  
**Insulating body:** Out of thermoplastic (UL 94-V0, heat-resistant)  
**Interrupting Rating:** 1000 A @32 VDC  
**Cover:** Out of thermoplastic (V0, transparent)  
 Visible melting-element  
 Red, not transparent  
**Terminals:** Blade contacts  
 Copper alloy, gal. Sn plated  
 Edge-protected

**Packaging:**

Series	Pack Size
168.6785.xxx7	50
168.6785.xxx2	8000

The FK1 32V automotive standard fuse link in a MINI® package. Three part construction with copper contacts for excellent reliability in harsh environment conditions with low voltage drop. Current ratings 1A thru 30A. See-through cover for easy detection of blown fuses.

Die FK1 32V-Standardsicherung im MINI®-Gehäuse. Dreiteiliger Aufbau mit Kupferkontakten, niedriger Spannungsabfall und hohe Zuverlässigkeit unter rauen Umgebungsbedingungen. Nennstrom 1A bis 30A, transparente Abdeckung zur leichten Erkennung durchgebrannter Sicherungen.

**Time-Current Characteristics / Schmelzeit-Grenzwerte**

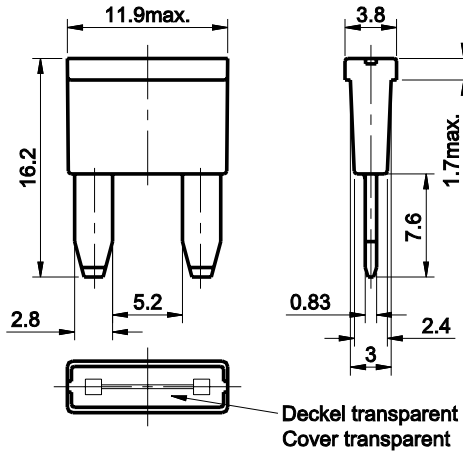
% of Rating % des Nennstromes	Opening Time Min / Max (s) Schmelzcharakteristik Min / Max (s)
110	360,000 s / –
135	0.75 s / 1,800 s
200	0.15 s / 5 s
350	0.040 s / 0.500 s
600	0.020 s / 0.100 s

Part Number Artikel-Nr.	Current Rating Nennstrom	Housing Color Kennfarbe	Typ. Voltage Drop Typ. Spannungsfall		Cold Resistance Kaltwiderstand	I²t
			Standard DIN max.	Littelfuse max.		
168.6785.410_	1 A	Black	225 mV	135 mV	100 mΩ	0.83 A²s
168.6785.420_	2 A	Grey	200 mV	110 mV	43.0 mΩ	3.31 A²s
168.6785.430_	3 A	Purple	175 mV	110 mV	27.0 mΩ	7.45 A²s
168.6785.440_	4 A	Pink	175 mV	110 mV	21.3 mΩ	16.7 A²s
168.6785.450_	5 A	Brown	175 mV	105 mV	16.2 mΩ	19.8 A²s
168.6785.475_	7.5 A	Dark Brown	150 mV	100 mV	9.70 mΩ	44.5 A²s
168.6785.510_	10 A	Red	125 mV	110 mV	7.40 mΩ	79.2 A²s
168.6785.515_	15 A	Blue	125 mV	105 mV	4.50 mΩ	178 A²s
168.6785.520_	20* A	Yellow	–	100 mV	3.10 mΩ	331 A²s
168.6785.525_	25* A	White	–	120 mV	2.60 mΩ	653 A²s
168.6785.530_	30* A	Green	–	105 mV	1.95 mΩ	1,264 A²s
160.6785.000_	Shunt* A	White	–	60 mV	1.35 mΩ	1,800 A²s

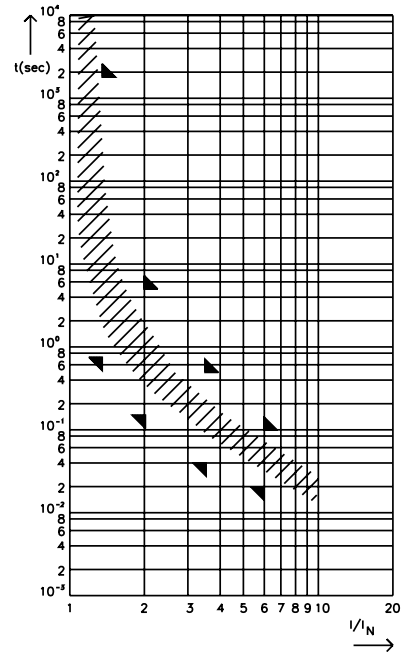
\* Not mentioned in the standards  
Corresponding holder see Section "Fuse Holders."

## FK1 MINI® Style Blade Fuse Rated 32V

Dimensions in mm / Maße in mm



Pre-arcing Time - limits / Schmelzzeit-Grenzwerte DIN



FI = 1.33 (max. operating current:  $0.75 \times I_{rat}$  at 23°C)

# Mouser Electronics

Authorized Distributor

Click to View Pricing, Inventory, Delivery & Lifecycle Information:

## Littelfuse:

[168.6785.5302](#) [168.6785.5202](#) [168.6785.4402](#) [168.6785.4102](#) [168.6785.5102](#) [168.6785.5152](#) [168.6785.5252](#)  
[168.6785.4752](#) [168.6785.4107](#) [168.6785.4202](#) [168.6785.4502](#) [168.6785.4302](#) [168.6785.4207](#) [168.6785.4757](#)  
[168.6785.5107](#) [168.6785.5157](#) [168.6785.5207](#) [168.6785.5257](#) [168.6785.4307](#) [168.6785.4507](#) [168.6785.5307](#)  
[168.6785.4407](#)