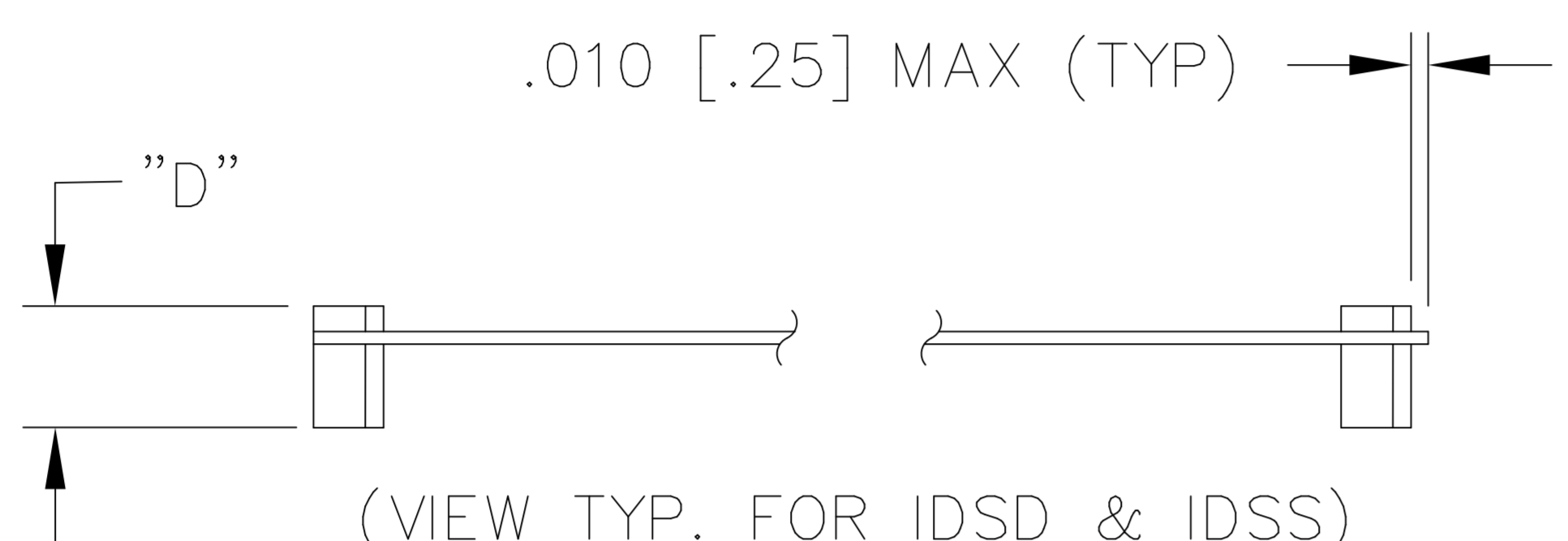
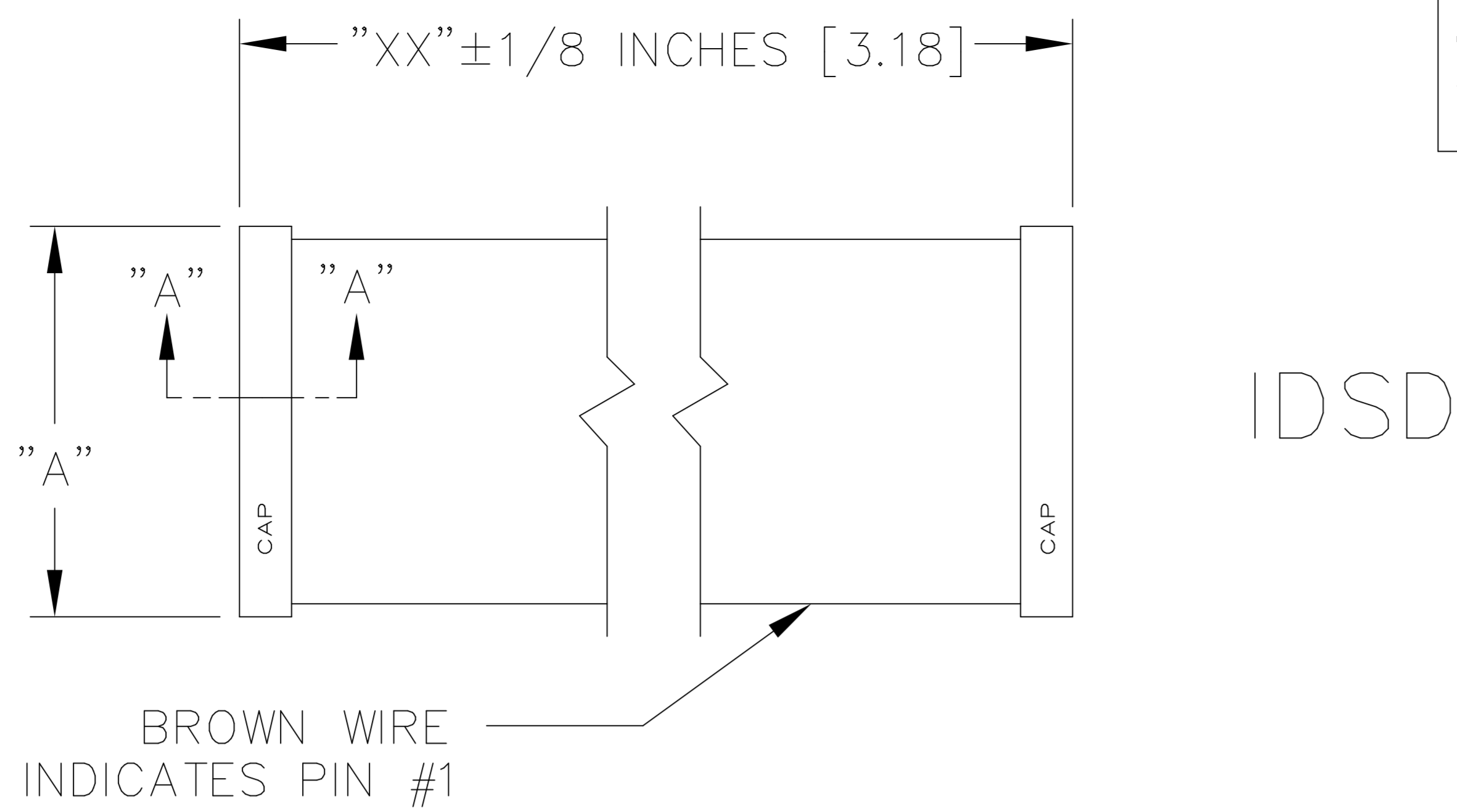
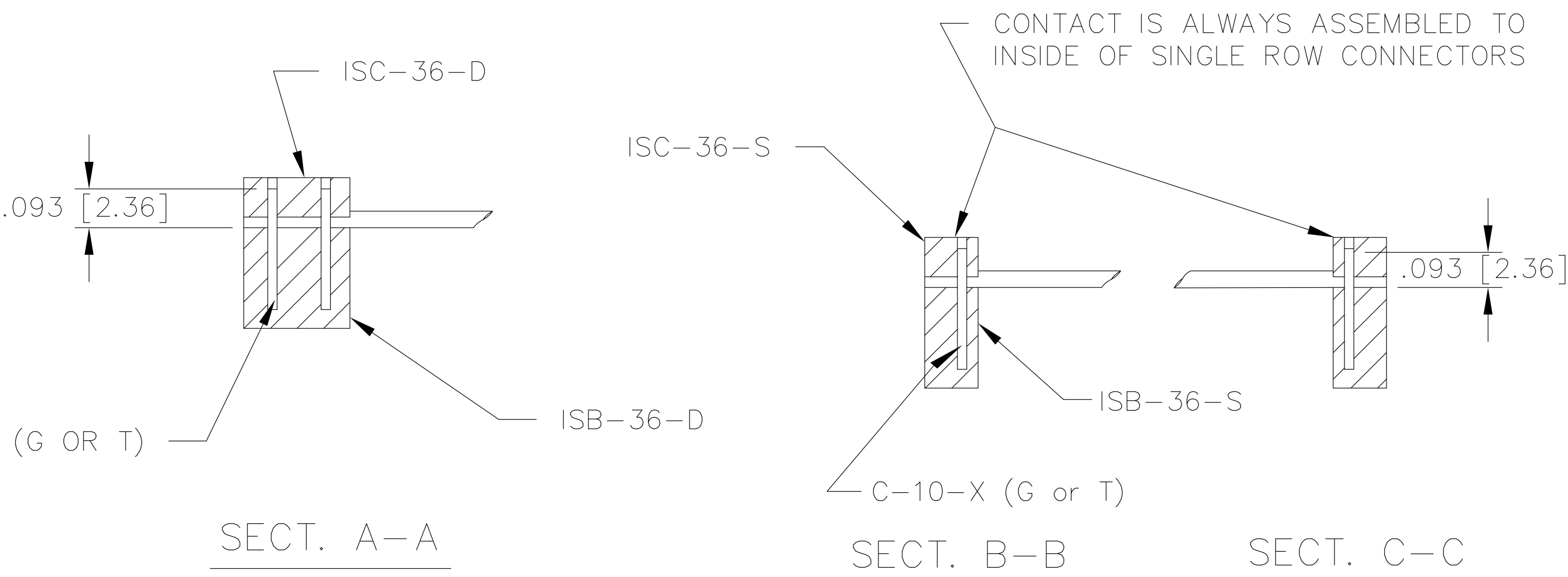
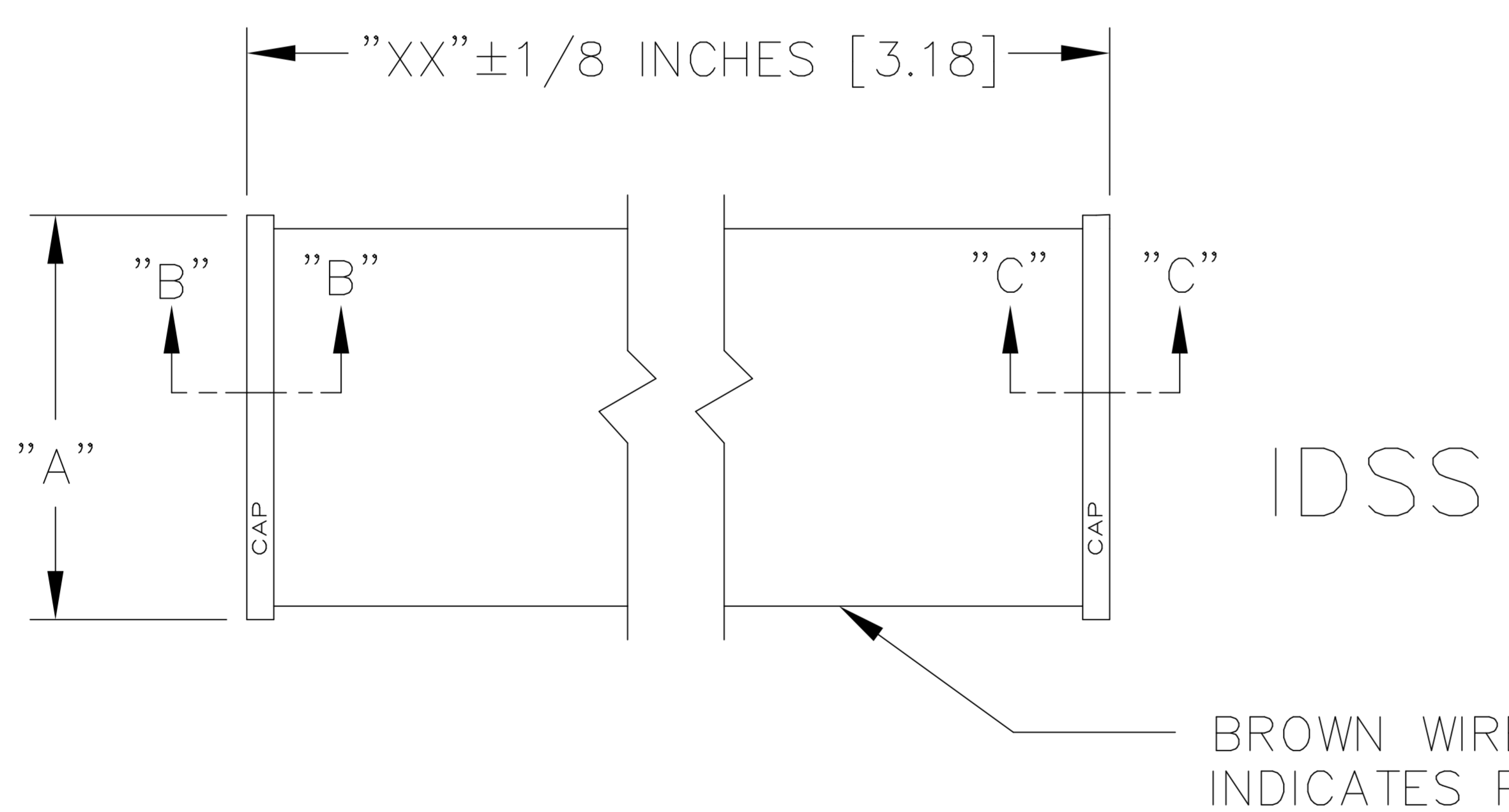


DIMENSIONS ARE IN INCHES		UNLESS OTHERWISE NOTED	TOLERANCES ARE:
ONE PLACE DECIMALS: ± .1 [3]	THREE PLACE DECIMALS: ± .005 [.13]	ANGLES	± 5°
TWO PLACE DECIMALS: ± .01 [.3]	FOUR PLACE DECIMALS: ± .0020 [.051]		

TITLE: ASSEMBLY	DWG NO:
INSULATION DISPLACEMENT SOCKET CONNECTOR	IDSX-XX-X-XX-XXX-XXX
	SHEET OF 2



POSITION	"D"
2,3,4	.360 ± .005 / .000 [9.14 ± .13 / .00]
5 AND UP	.365 ± .010 / .005 [9.27 ± .25 / .13]



IDSX-XX-X-XX.XX-XXX-XXX

OPTION SPECIFICATION SEE SHEET 2

OPTION SPECIFICATION SEE SHEET 2

LENGTH OF CABLE MEASURED IN INCHES

END ASSEMBLY SPECIFICATIONS

-S: (SINGLE) ONE IDC ASSEMBLY  
-D: (DOUBLE) TWO IDC ASSEMBLIES

- NO. OF CONDUCTORS (-02 THRU -36 PER ROW)
- USE CABLE: CB-XX-28-7/36-050-C (IDSD)  
USE CABLE: CB-XX-28-7/36-100-C (IDSS)
- IDSD FULL STRIP: "A" = 3.650 ± .005 [92.71 ± .13] REF  
CUT STRIP: "A" ± .015 / .005 [ .38 / .13 ] = ("XX" × .100 [2.54]) + .059 [1.50]
- IDSS FULL STRIP: "A" = 3.610 ± .005 [91.69 ± .13] REF  
CUT STRIP: "A" ± .015 / .005 [ .38 / .13 ] = ("XX" × .100 [2.54]) + .019 [.48]
- \* NOTE: STANDARD COLOR-CODED CABLE N/A FOR DOUBLE ROW 31 THRU 36 POSITION - SEE -G OPTION.
- NOTES
- OPTION -SXX WHEN MATING DOUBLE ROW CONNECTOR WITH 2 SINGLE ROW CONNECTORS, THE OUTER MOST SINGLE WILL BE CONNECTED TO CONDUCTOR #1 AND THE INSIDE SINGLE TO CONDUCTOR #2.
  - USING A #32 MICRO FINISHED .025 ± .0005 [.64 ± .013] SQ POST, INSERTION / WITHDRAWAL FORCES TO BE:  
INSERTION: 4.0 OZ [114 GRAMS] AVG / 6.0 OZ [170 GRAMS] MAX  
WITHDRAWAL: 2.75 OZ [78.0 GRAMS] AVG / 2.0 OZ [57 GRAMS] MIN.
  - MAX ALLOWABLE BOW AFTER ASSEMBLY TO BE .006 INCH/INCH [MM/MM].
  - ( ) REPRESENTS CRITICAL DIMENSION FOR STATISTICAL PROCESS CONTROL.
  - A CHAMFER ON THE END OF THE CAP IS GUARANTEED ON FINAL ASSEMBLIES THAT ARE AT LEAST 18 POSITIONS FOR MALE AND FEMALE TERMINATION.
  - ALL ASSEMBLIES TO BE 100% ELECTRICALLY TESTED FOR SHORTS AND OPENS.
  - ALL ASSEMBLIES TO BE 100% HI-POT TESTED AT 1000V.
  - WIRE: 28 AWG, 7/36, TINNED, STRANDED WITH PVC INSULATOR

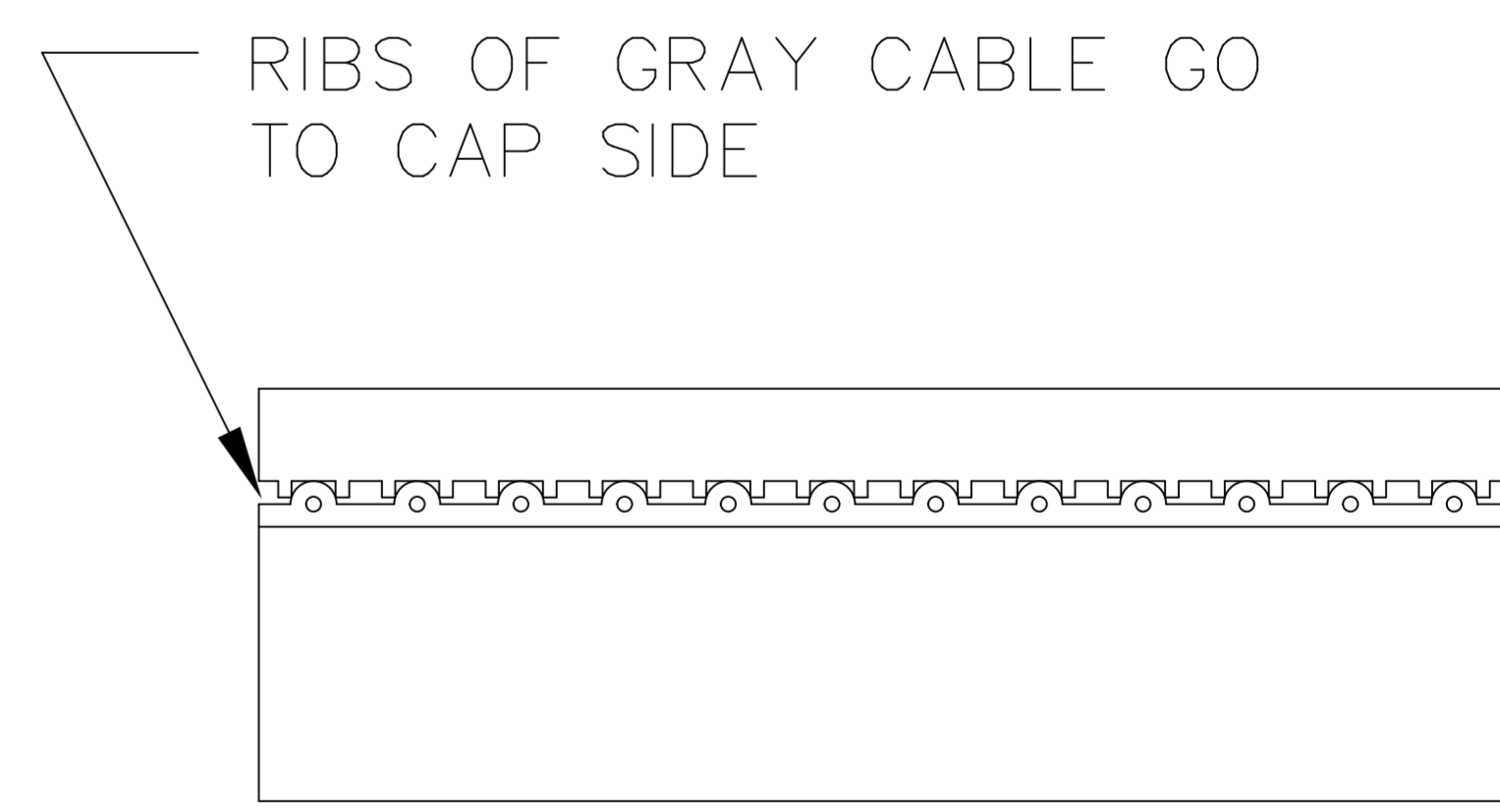


FIG 1

**PROPRIETARY NOTE**  
THIS DOCUMENT CONTAINS INFORMATION CONFIDENTIAL AND PROPRIETARY TO SAMTEC INC. AND SHALL NOT BE REPRODUCED OR TRANSFERRED TO OTHER DOCUMENTS OR DISCLOSED TO OTHERS OR USED FOR ANY PURPOSE OTHER THAN THAT FOR WHICH IT WAS OBTAINED WITHOUT THE EXPRESSED WRITTEN CONSENT OF SAMTEC INC.

**samtec**

520 PARK EAST BLVD. NEW ALBANY, INDIANA 47150  
PHONE (812) 944-6733 P.O. BOX 1147  
CODE 55322

MADE BY: PURVIS 11-02-88

F:\EP\CABLE IDSXASM1

IDSX-XX-X-XX-XXX-XXX  
SHEET 1 OF 2