

Distributed by:

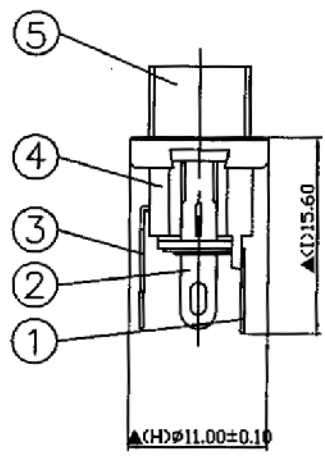
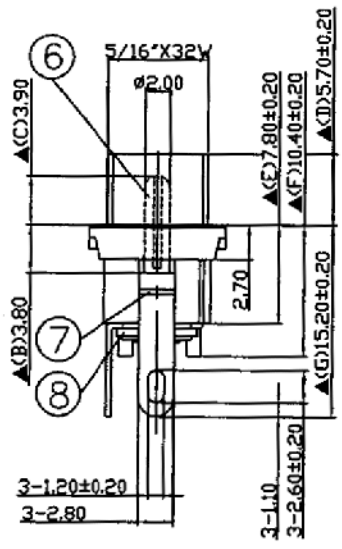
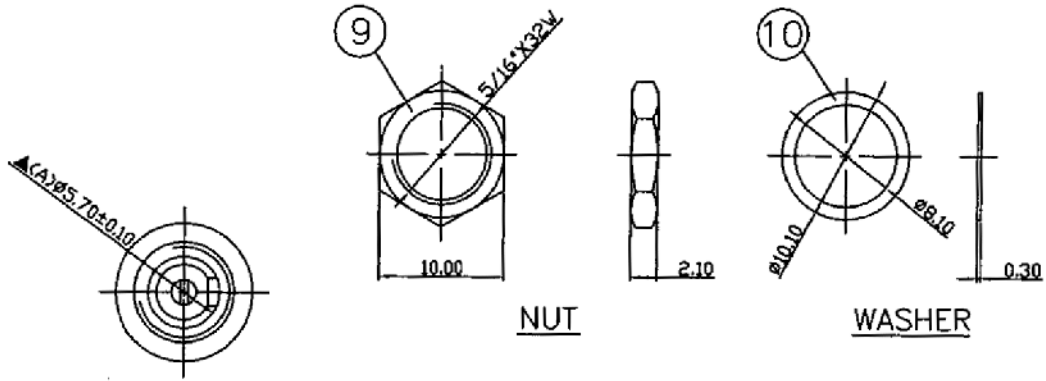
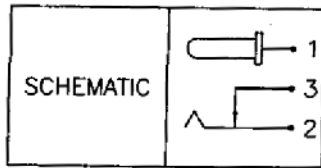
**JAMECO**<sup>®</sup>  
ELECTRONICS

**www.Jameco.com ♦ 1-800-831-4242**

The content and copyrights of the attached  
material are the property of its owner.

Jameco Part Number 151555

Date	Rev.	Description



NO.	Description	Material	Q'TY	Finish
10.	Washer	0.3T Steel	1	Nickel Plated
9.	Nut	2.1T Brass	1	Nickel Plated
8.	Insulator B	Red Vulcanited Fibre	1	Red Color
7.	Insulator A	Red Vulcanited Fibre	1	Red Color
6.	Pin(2.0ø)	Copper	1	Nickel Plated
5.	Bushing	Brass	1	Nickel Plated
4.	Housing	PBT	1	Black Color
3.	Break Terminal	0.3T Brass	1	Silver Plated
2.	Sleeve Spring	0.4T Phosphor Bronze	1	Silver Plated
1.	Pin Terminal	0.3T Brass	1	Silver Plated

**SPECIFICATIONS:**  
Contact Resistance : 30mΩ max  
Insulation Resistance : 100MΩ min. at DC 500V  
Dielectric Withstand Voltage : AC 500V for one minute  
Remark: ▲: The Most Important Dimension

MATERIAL	<b>GOLDSUN ELECTRONICS CO., LTD.</b>		
DRAWN: Kiki Chen	Description		Rev.
VERIFY PEOPLE: Ada Zheng , Ivy Lan	POWER JACK, PC MOUNT		1
UNIT: mm	SCALE:	SHEET 1 OF 1	CAS No: ERN No:

DCC. NO.  
A4 DRAWING NO.