

PLEASE CHECK WWW.MOLEX.COM FOR LATEST PART INFORMATION

Part Number: [35843-1217](#)
Status: **Active**
Overview: [Bulb Sockets](#)
Description: PT Bulb Socket, Sealed, Single Housing Assembly, Type B, Brown

Documents:

[3D Model](#) [Packaging Specification PK-35843-001 \(PDF\)](#)
[Drawing \(PDF\)](#) [RoHS Certificate of Compliance \(PDF\)](#)
[Product Specification PS-35842-001 \(PDF\)](#)

General

| | |
|----------------|------------------------------|
| Product Family | Other Sockets |
| Series | 35843 |
| Comments | B-Type |
| Component Type | Socket |
| Overview | Bulb Sockets |
| Product Name | Bulb Socket |
| UPC | 756054269923 |

Physical

| | |
|--------------------------------|-----------------|
| Circuits (Loaded) | 2 |
| Circuits (maximum) | 2 |
| Color - Resin | Brown |
| Durability (mating cycles max) | 30 |
| Entry Angle | Vertical |
| Keying to Mating Part | None |
| Material - Metal | Phosphor Bronze |
| Material - Resin | Nylon |
| Net Weight | 10.538/g |
| PCB Locator | No |
| PCB Retention | N/A |
| Packaging Type | Bag |
| Pitch - Mating Interface | N/A |
| Temperature Range - Operating | -40°C to +105°C |
| Termination Interface: Style | Through Hole |

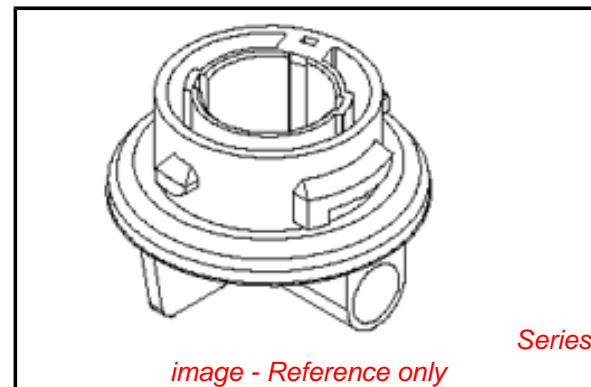
Electrical

| | |
|-------------------------------|--------|
| Current - Maximum per Contact | 5A, 7A |
| Voltage - Maximum | 12V |

Material Info

Reference - Drawing Numbers

| | |
|-------------------------|--------------|
| Packaging Specification | PK-35843-001 |
| Product Specification | PS-35842-001 |
| Sales Drawing | SD-35843-002 |



EU RoHS

**ELV and RoHS
Compliant**
**REACH SVHC
Contains SVHC: No**
**Low-Halogen Status
Low-Halogen**

China RoHS



**Need more information on product
environmental compliance?**

Email productcompliance@molex.com
For a multiple part number RoHS Certificate of Compliance, [click here](#)

Please visit the [Contact Us](#) section for any non-product compliance questions.

Search Parts in this Series

[35843Series](#)

Mates With

Lamp

Use With

[35464](#) Positive Terminal for PT Bulb Socket,
[35465](#) Earth Terminal for PT Bulb Socket

Mouser Electronics

Authorized Distributor

Click to View Pricing, Inventory, Delivery & Lifecycle Information:

[Molex:](#)

[35843-1217](#)