

PCB LAYOUT - COMPONENT VIEW

TECHNICAL CHARACTERISTICS

MATERIAL
 INSULATOR MATERIAL: PBT
 FLAMMABILITY RATING: UL94-V0
 COLOUR: BLACK
 CONTACT MATERIAL: COPPER ALLOY
 CONTACT TYPE: STAMPED
 CONTACT PLATING: SELECTIVE GOLD
 SHIELDING: BRONZE NI PLATED
 QUALITY CLASS: 750 MATING CYCLES

LED COLOR
 LED 1: YELLOW
 LED 2: GREEN

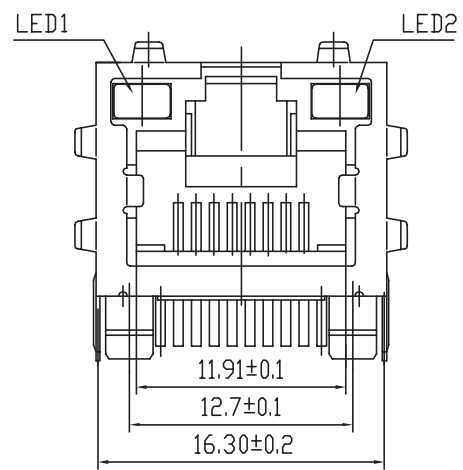
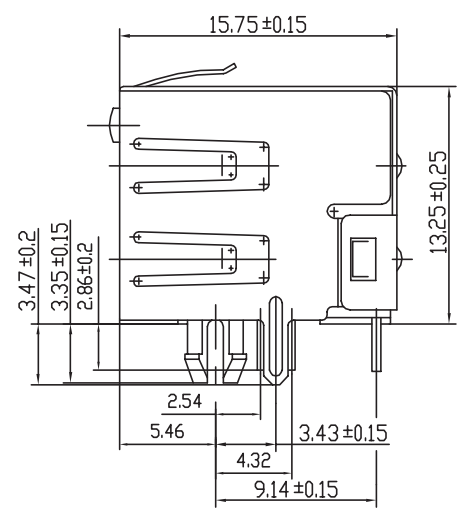
ENVIRONMENTAL
 OPERATING TEMPERATURE: -40 °C UP TO 85 °C
 COMPLIANCE: LEAD FREE AND ROHS



ELECTRICAL
 CURRENT RATING: 1.5 A
 WORKING VOLTAGE: 120 VAC
 INSULATION RESISTANCE: >500 MΩ
 DIELECTRIC WITHSTANDING VOLTAGE: 1 000 VAC/MIN
 CONTACT RESISTANCE: 20 mΩ MAX

STANDARD
 CERTIFIED: E324776

SOLDERING
 JEDEC LEAD FREE WAVE SOLDERING PROCESS

PACKAGING
 TRAY



RoHS Compliant				PROJECTION: 	GENERAL TOLERANCE .X = +/- 0.2 .XX = +/- 0.15		DESCRIPTION: HORIZONTAL SHIELDED WITH LED AND EMI PANEL FINGER 8P8C MODULAR JACK TAB UP	SIZE A4
G								
F								
E	05-SEP-14	GENERAL UPDATE	AS					
D	03-JAN-14	UL & TEMP UPDATE	QL					
C	20-AUG-13	DIM UPDATE	QL	APPROVAL: RJ	UNIT: MM	WERI PART NO: 615 008 137 421		
B	27-FEB-09	LED COLOUR	JP		SCALE:			
A	21-NOV-07	PDF	CH		SHEET: 1/1			
REV	DATE	FILE	BY		DRAW:			

Mouser Electronics

Authorized Distributor

Click to View Pricing, Inventory, Delivery & Lifecycle Information:

[Wurth Electronics:](#)

[615008137421](#)